

US00D900414S

(12) **United States Design Patent** (10) **Patent No.:** **US D900,414 S**
McConnochie et al. (45) **Date of Patent:** **** Oct. 27, 2020**

(54) **CAT SCRATCHER** 3,173,398 A * 3/1965 Raymond A01K 1/035
119/28.5
(71) Applicant: **MODRENDESIGN PTY LIMITED,** 3,482,548 A 12/1969 Burns
Whitebridge, NSW (AU) 3,486,485 A 12/1969 Kahanick
D254,815 S 4/1980 Kossar
4,429,868 A * 2/1984 LeBlanc A63B 23/03516
(72) Inventors: **Craig James McConnochie,** D283,261 S * 4/1986 Walling D28/63
Whitebridge (AU); **Natalie** D320,674 S * 10/1991 Pinkston D28/91.2
McConnochie, Whitebridge (AU) D321,970 S * 12/1991 Cochran D2/914
D336,548 S * 6/1993 Zeller D24/125
(73) Assignee: **MODRENDESIGN PTY LIMITED,** D353,506 S * 12/1994 Brandon D6/582
Whitebridge (AU) D355,057 S 1/1995 Northrop et al.
D355,807 S * 2/1995 O'Rourke D6/582
(**) Term: **15 Years** (Continued)

(21) Appl. No.: **29/736,250**
(22) Filed: **May 28, 2020**
(51) **LOC (12) Cl.** **30-99**
(52) **U.S. Cl.**
USPC **D30/158; D30/160**
(58) **Field of Classification Search**
USPC D30/158, 159, 199, 160; 119/625, 633,
119/600, 617, 628, 632, 631, 602, 621,
119/603; D4/136, 127, 124, 130;
D28/91.2, 63; D32/47, 35, 40, 52;
D24/211, 212, 214, 215; 15/114, 110,
15/117, 160, DIG. 6, 210.1, 207.2,
15/DIG. 5, 105, 111, 187; 4/606, 559;
601/136, 137; 132/129, 132, 148, 114;
401/28; D23/261; D6/592
CPC .. A01K 15/024; A01K 15/025; A01K 15/027;
A01K 13/004; A01K 13/00
See application file for complete search history.

(56) **References Cited**
U.S. PATENT DOCUMENTS
19,347 A * 2/1858 Chaffee A47L 23/24
15/215
D49,710 S * 9/1916 Lupo D28/59
3,085,551 A 4/1963 Helmer

OTHER PUBLICATIONS

Catit, "Catit Senses 2.0 Oval scratcher", <https://www.youtube.com/watch?v=Gn7rnyzIITI>, Published on Mar. 27, 2018.
(Continued)

Primary Examiner — Susan Moon Lee
(74) *Attorney, Agent, or Firm* — Brett A. Schenck

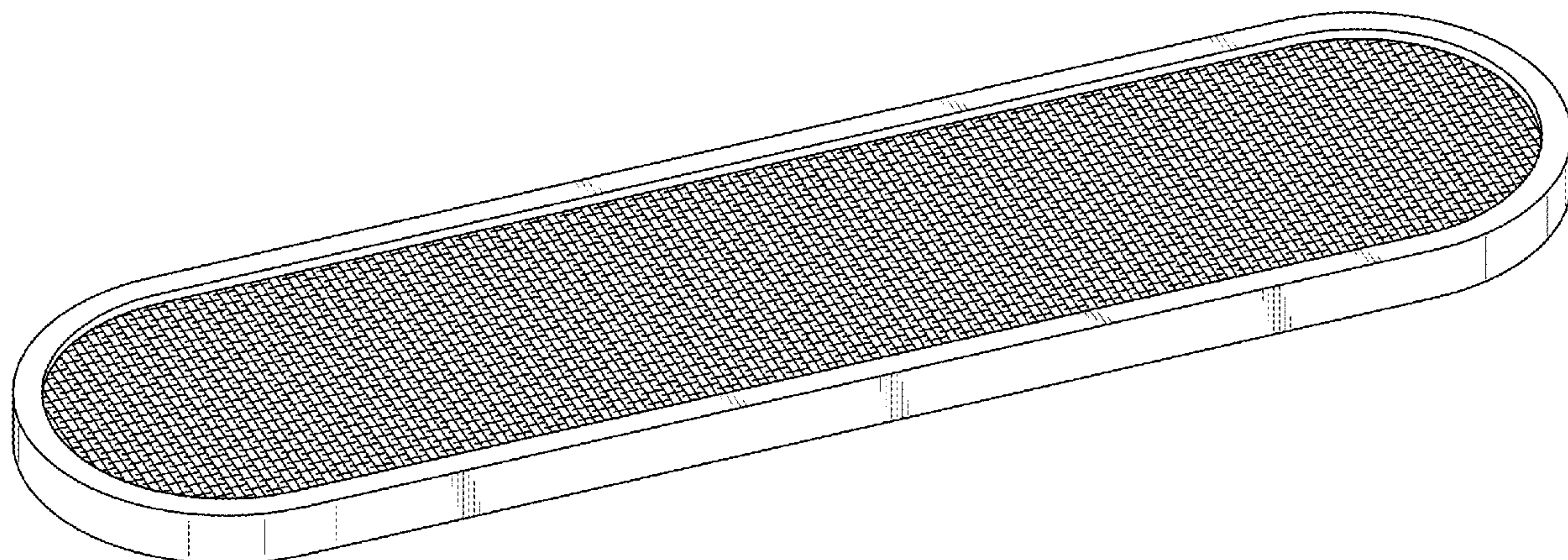
(57) **CLAIM**

The ornamental design for a cat scratcher, as shown and described.

DESCRIPTION

FIG. 1 is a top right perspective view of a cat scratcher, showing my new design;
FIG. 2 is a top view thereof;
FIG. 3 is a right side view thereof, the left side view being a mirror image thereof;
FIG. 4 is a front view thereof, the rear view being a mirror image thereof; and,
FIG. 5 is a bottom view thereof.
The even length broken lines in the drawings depict portions of the cat scratcher that form no part of the claimed design.

1 Claim, 4 Drawing Sheets



(56)

References Cited

U.S. PATENT DOCUMENTS

5,809,933 A * 9/1998 Conwell, III A01K 15/02
119/28.5
5,870,971 A 2/1999 Krietzman et al.
6,405,400 B1 * 6/2002 McClain A47K 7/026
15/160
6,779,218 B1 * 8/2004 Jusinski A46B 11/00
15/104.92
D501,064 S * 1/2005 Williams D30/160
D513,093 S * 12/2005 Kim D28/59
D524,441 S * 7/2006 Anderson D24/147
7,171,922 B2 2/2007 Lipscomb et al.
7,278,431 B2 * 10/2007 Anderson A61B 17/54
132/76.4
D555,843 S * 11/2007 Lika D30/160
7,565,884 B2 7/2009 Lamstein et al.
D604,018 S * 11/2009 Simpson D30/160
D607,159 S 12/2009 Kellogg et al.
7,765,956 B2 8/2010 Lamstein
D644,795 S 9/2011 Haaf
D648,078 S * 11/2011 Haaf D30/160
D653,820 S 2/2012 Haaf
D655,555 S * 3/2012 Benson D6/592
D663,491 S * 7/2012 Haaf D30/160
D665,138 S * 8/2012 Haaf D30/160
D672,919 S * 12/2012 Campbell D28/44.1
D674,499 S * 1/2013 Palm D24/200
8,561,575 B2 * 10/2013 Ruffin A01K 15/024
119/706
D693,965 S * 11/2013 Elliott D28/91.2
D696,821 S * 12/2013 Haaf D30/160
D708,405 S * 7/2014 Sikora D30/160
D713,607 S * 9/2014 Drew D30/160
D730,574 S * 5/2015 Long D28/7
9,345,233 B1 * 5/2016 Tsengas A01K 15/024
D774,708 S 12/2016 Kellogg
D816,922 S * 5/2018 Long, Jr. D30/160
10,412,926 B2 * 9/2019 Chen A01K 15/024
D871,688 S * 12/2019 Long, Jr. D30/161
D891,010 S * 7/2020 Long, Jr. D30/161
D891,011 S * 7/2020 Long, Jr. D30/161
2002/0189549 A1 12/2002 Writer et al.
2004/0139926 A1 * 7/2004 Diep A01K 15/024
119/601
2006/0137623 A1 * 6/2006 Lamstein A01K 15/024
119/706

2006/0191490 A1 * 8/2006 Lamstein A01K 15/024
119/706
2007/0074675 A1 * 4/2007 Tu A01K 15/024
119/706
2007/0295282 A1 * 12/2007 Lamstein A01K 15/024
119/706
2008/0149041 A1 * 6/2008 Lamstein A01K 15/024
119/706
2008/0196675 A1 * 8/2008 Murrer A01K 15/024
119/706
2009/0188439 A1 7/2009 Simpson et al.
2010/0000558 A1 * 1/2010 Ruffin A01K 15/024
132/76.4
2010/0122665 A1 5/2010 Delzio
2012/0204808 A1 8/2012 Shenefelt
2013/0206079 A1 * 8/2013 Lipscomb A01K 15/024
119/706
2013/0333629 A1 12/2013 Paculdo
2014/0014043 A1 * 1/2014 McCann A01K 15/024
119/706
2014/0150729 A1 * 6/2014 Paculdo A01K 15/024
119/706
2017/0172108 A1 * 6/2017 Long, Jr. A01K 15/024
2018/0332822 A1 * 11/2018 Diskin A01K 15/024
2018/0352785 A1 * 12/2018 Chia A01K 15/024
2018/0368354 A1 * 12/2018 Chen A01K 1/0157
2018/0368367 A1 * 12/2018 Chen A01K 15/024

OTHER PUBLICATIONS

M&Mkpet Natural Sisal Cat Scratcher Mat,Scratch Pad for Cat Grinding Claws & Protecting Furniture (23.6" 23.6") (via amazon.com), available on Aug. 7, 2018, site visited on May 20, 2017, Available from internet, <URL: https://www.amazon.com/Natural-Scratching-Grinding-Protecting-Furnitures/dp/B07DTF1LPS/ref=cm_cr_arp_d_product_top?ie=UTF8.
Hangzhou Jie Feng Leisure Product Co., Ltd., "Cat Playing Cat Tunnel Toy New Designed Durable MDF Cat Scratcher Cardboard Toy", last login date mary 6, 2020, site visited Mar. 19, 2020, Available from internet, <URL: <https://hzjiefeng.en.made-in-china.com/product/FytQdcOAOQbkZ/China-Cat-Playing-Cat-Tunnel-Toy-New-Designed-Durable-MDF-Cat-Scratcher-Cardboard-Toy.html>.
Jiaxing, "round circuit multifunction cat toy cardboard", site visited on May 19, 2020, see p. 2, Available from Internet, <URL: <http://www.petcarton.com/hexagon-model-cattery-scratching-board/56239704.html>.

* cited by examiner

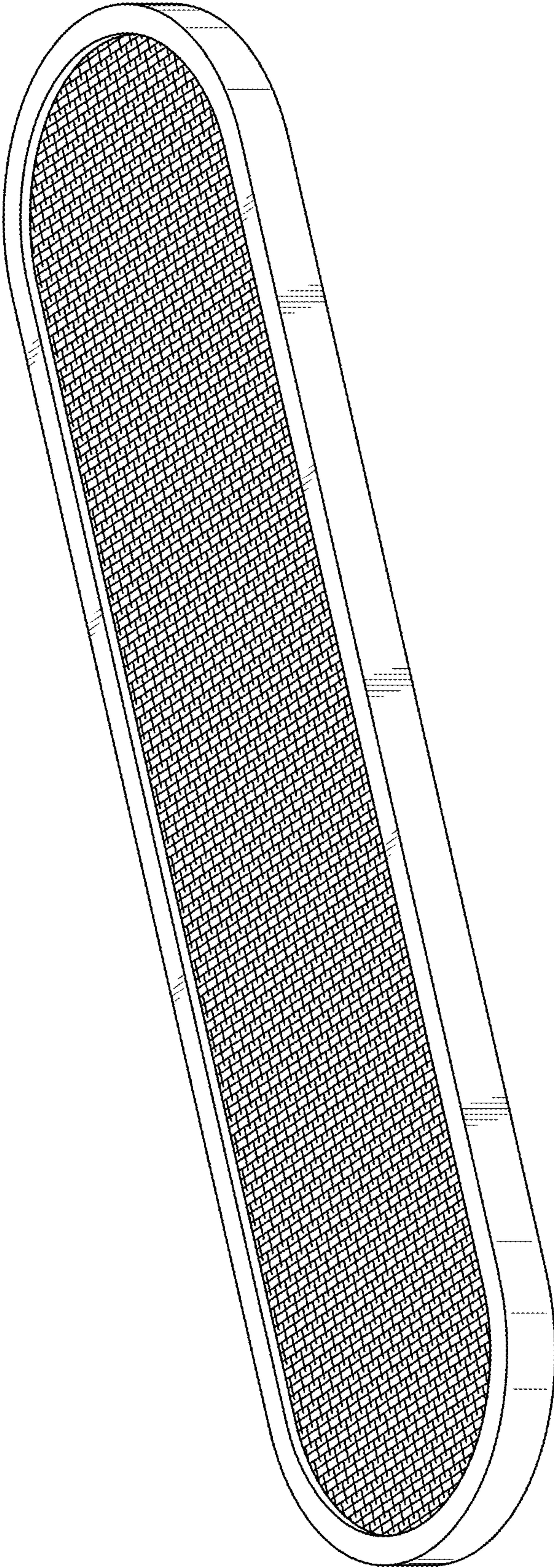


FIG. 1

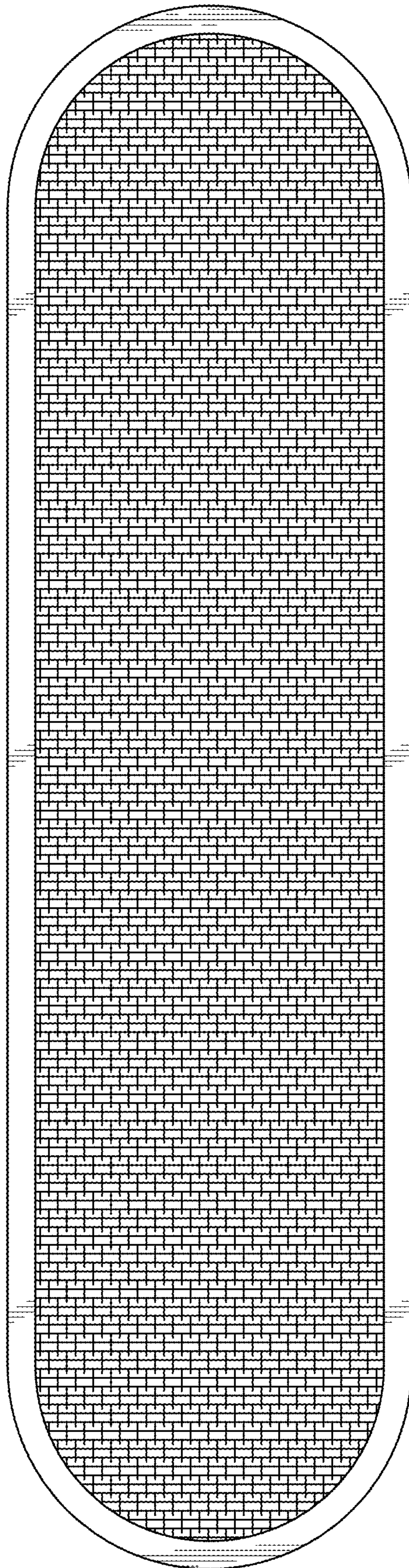


FIG. 2



FIG. 3

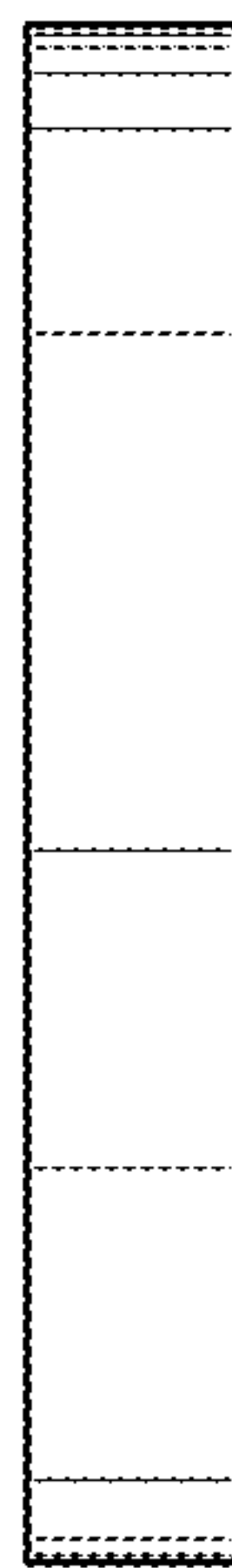


FIG. 4

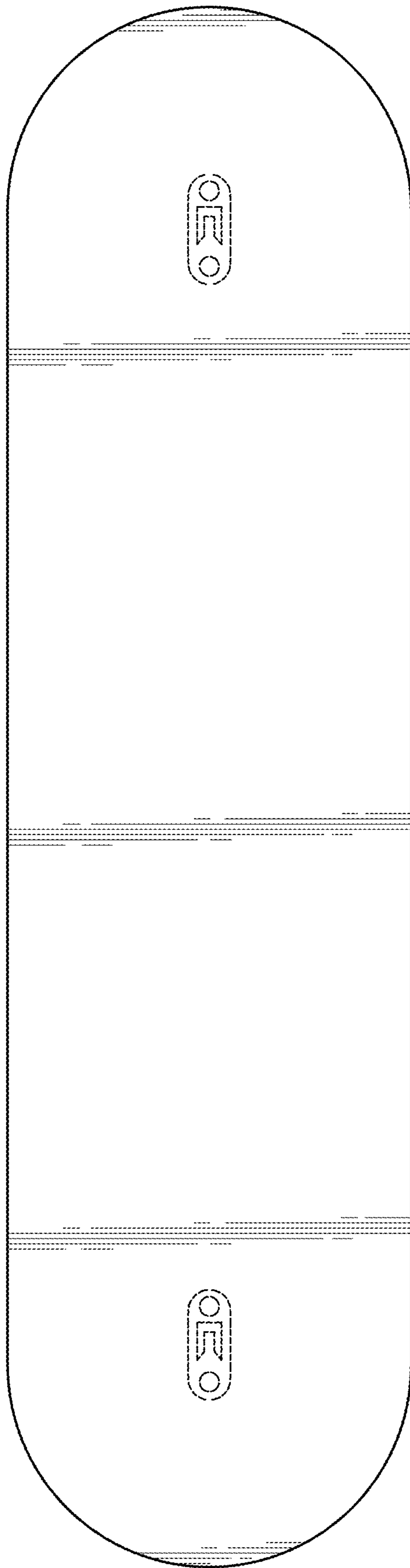


FIG. 5