



US00D900411S

(12) **United States Design Patent**  
**Liang et al.**

(10) **Patent No.:** **US D900,411 S**

(45) **Date of Patent:** **\*\* Oct. 27, 2020**

(54) **PET BOWL**

(56) **References Cited**

(71) Applicant: **GUANGZHOU CHARM SHINE INTERNATIONAL ECOMMERCE CO. LTD**, Panyu, GuangZhou (CN)

U.S. PATENT DOCUMENTS

D704,902 S \* 5/2014 Wu ..... D30/129  
D705,999 S \* 5/2014 Hansen ..... D30/121  
D706,494 S \* 6/2014 Hansen ..... D30/121

(72) Inventors: **Shangjie Liang**, GuangZhou (CN);  
**Guozhen Liang**, GuangZhou (CN)

\* cited by examiner

(73) Assignee: **GUANGZHOU CHARM SHINE INTERNATIONAL ECOMMERCE CO. LTD**, Panyu (CN)

*Primary Examiner* — Michael C Stout

*Assistant Examiner* — Katrina N Gonzalez

(74) *Attorney, Agent, or Firm* — Maginot, Moore & Beck LLP

(\*\*) Term: **15 Years**

(57) **CLAIM**

The ornamental design for a pet bowl, as shown and described.

(21) Appl. No.: **29/657,603**

**DESCRIPTION**

(22) Filed: **Jul. 24, 2018**

(30) **Foreign Application Priority Data**

Jan. 25, 2018 (CN) ..... 2018 3 0035341

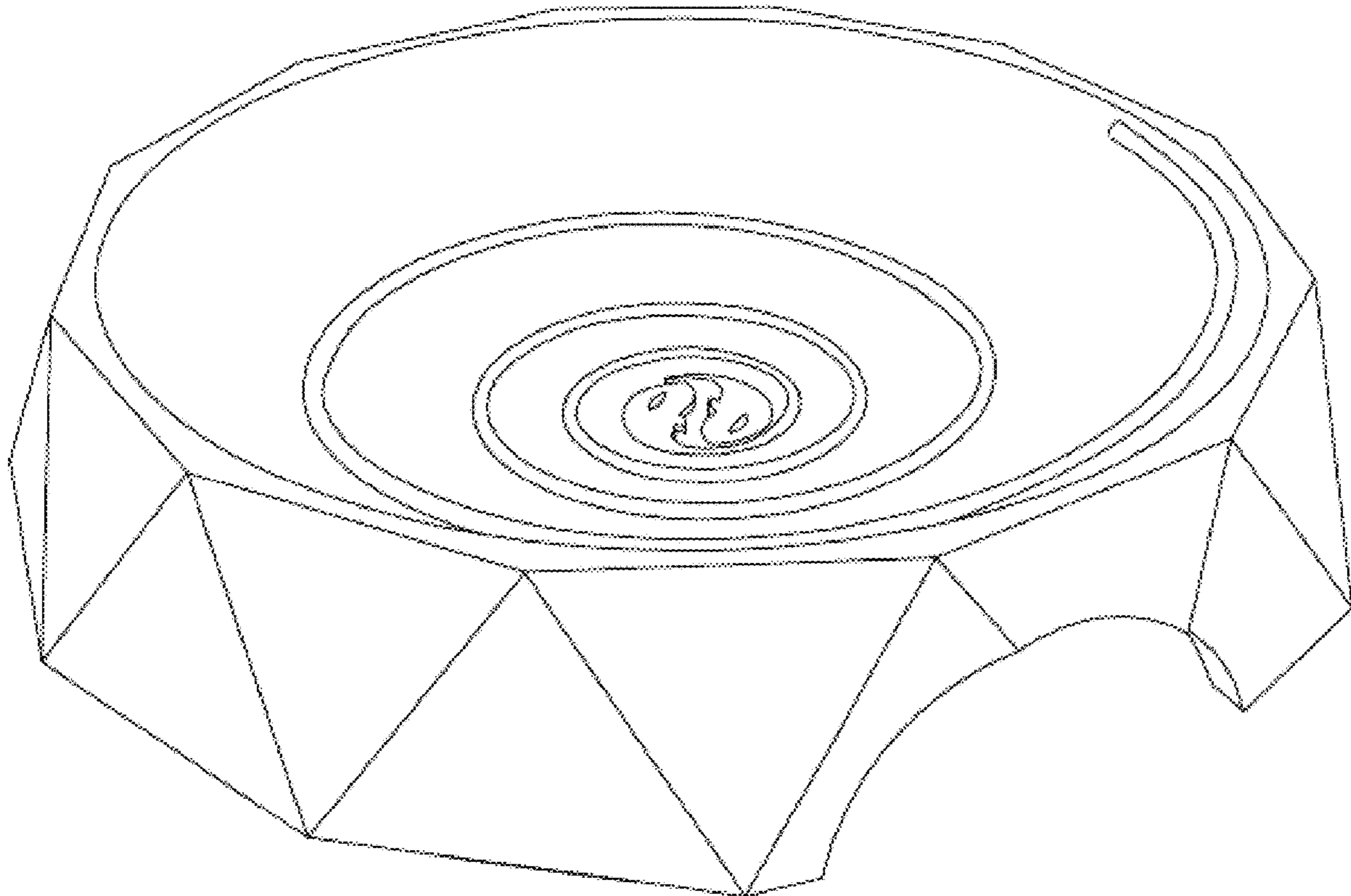
(51) **LOC (12) Cl.** ..... **30-03**

(52) **U.S. Cl.**  
USPC ..... **D30/129**

(58) **Field of Classification Search**  
USPC ..... D30/121, 122, 129-133, 199  
CPC ..... A01K 5/00  
See application file for complete search history.

FIG. 1 is a front elevational view of a pet bowl showing our new design;  
FIG. 2 is a rear elevational view thereof;  
FIG. 3 is a right side elevational view thereof, the left side elevational view being a mirror image thereof;  
FIG. 4 is a top plan view thereof;  
FIG. 5 is a first perspective view thereof; and,  
FIG. 6 is a second perspective plan view thereof.  
The broken lines shown in the drawings illustrate portions of the pet bowl that form no part of the claimed design.

**1 Claim, 6 Drawing Sheets**



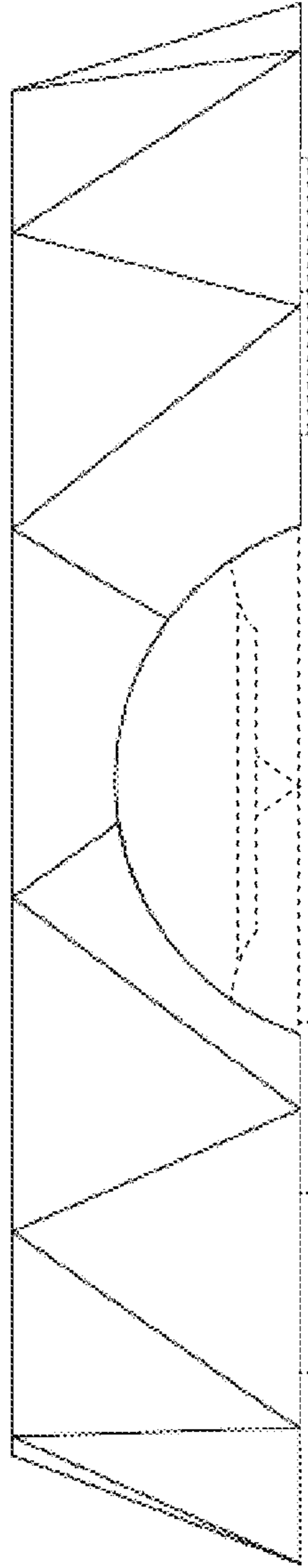


FIG. 1

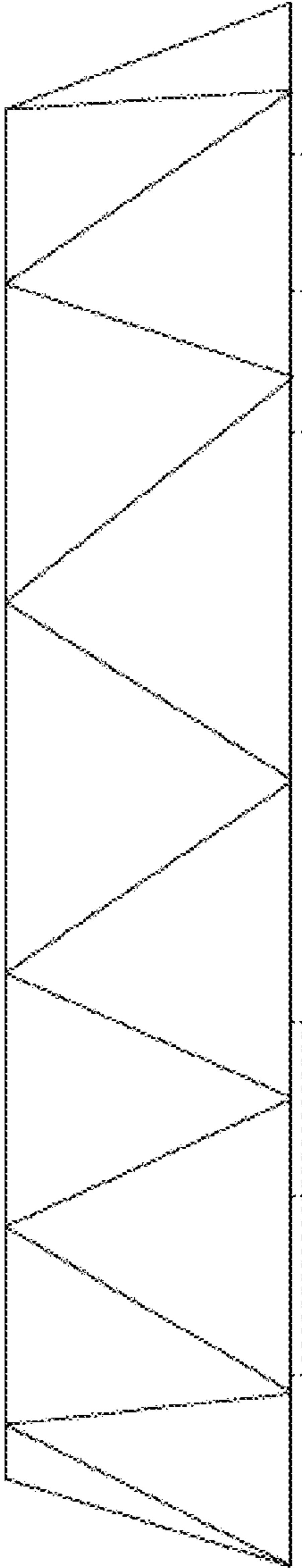


FIG. 2

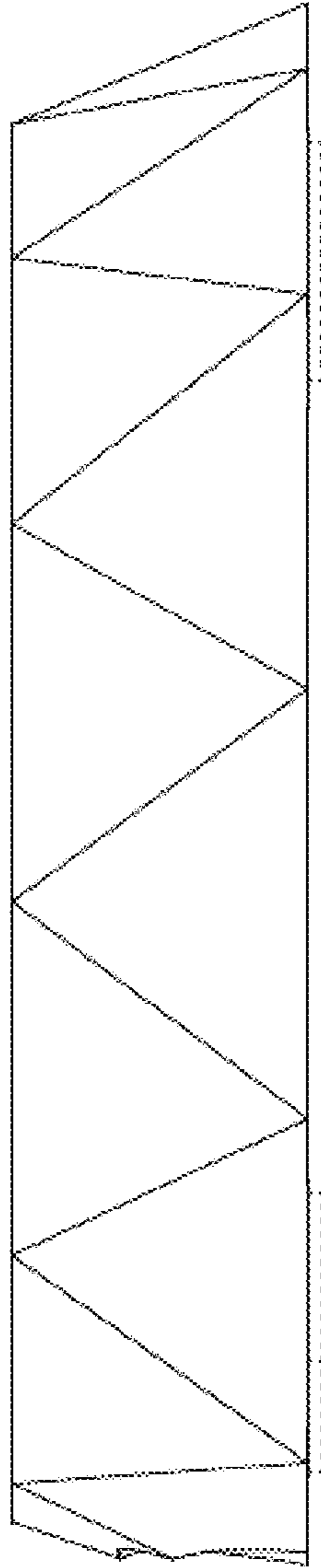


FIG. 3

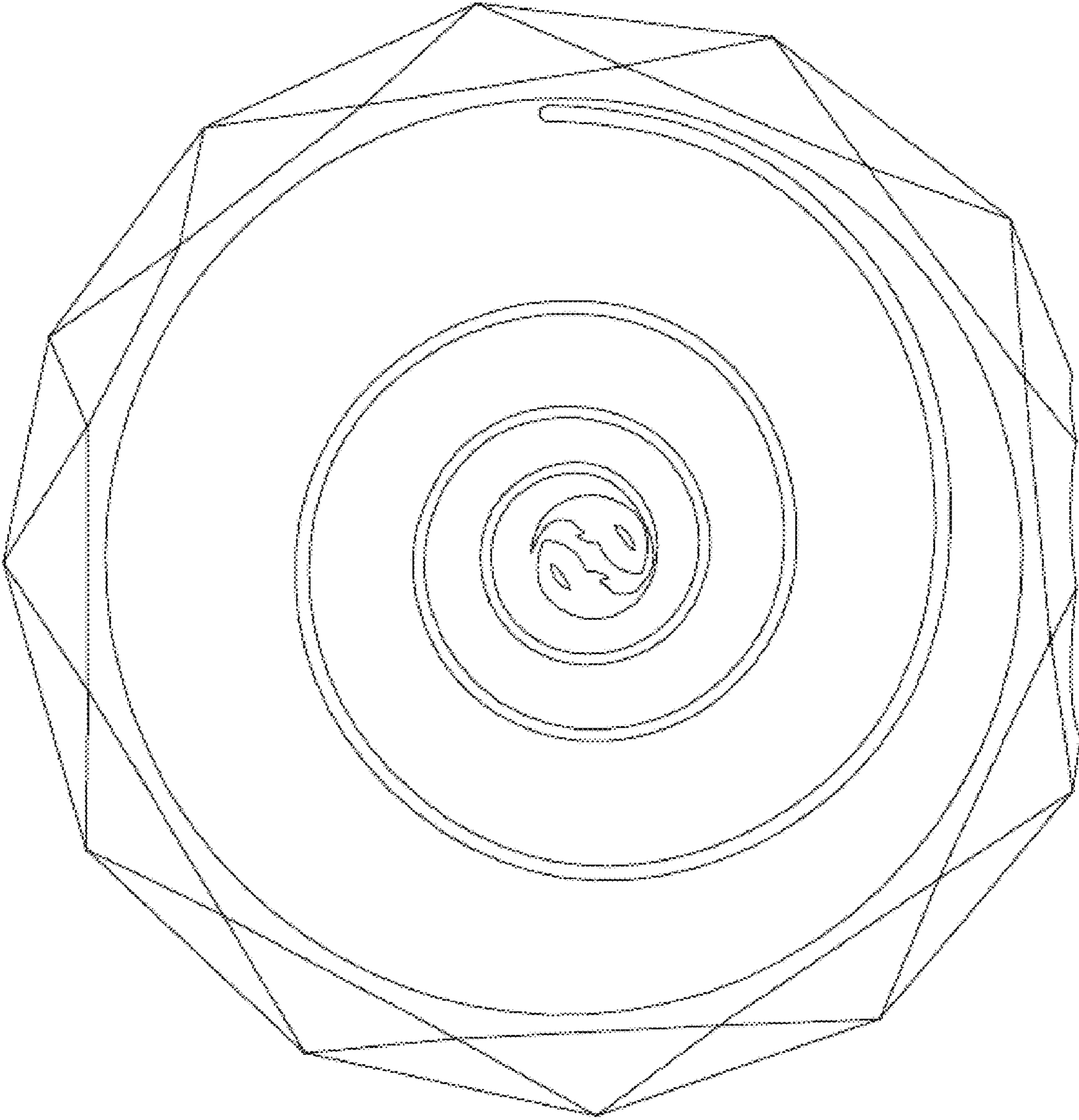


FIG. 4

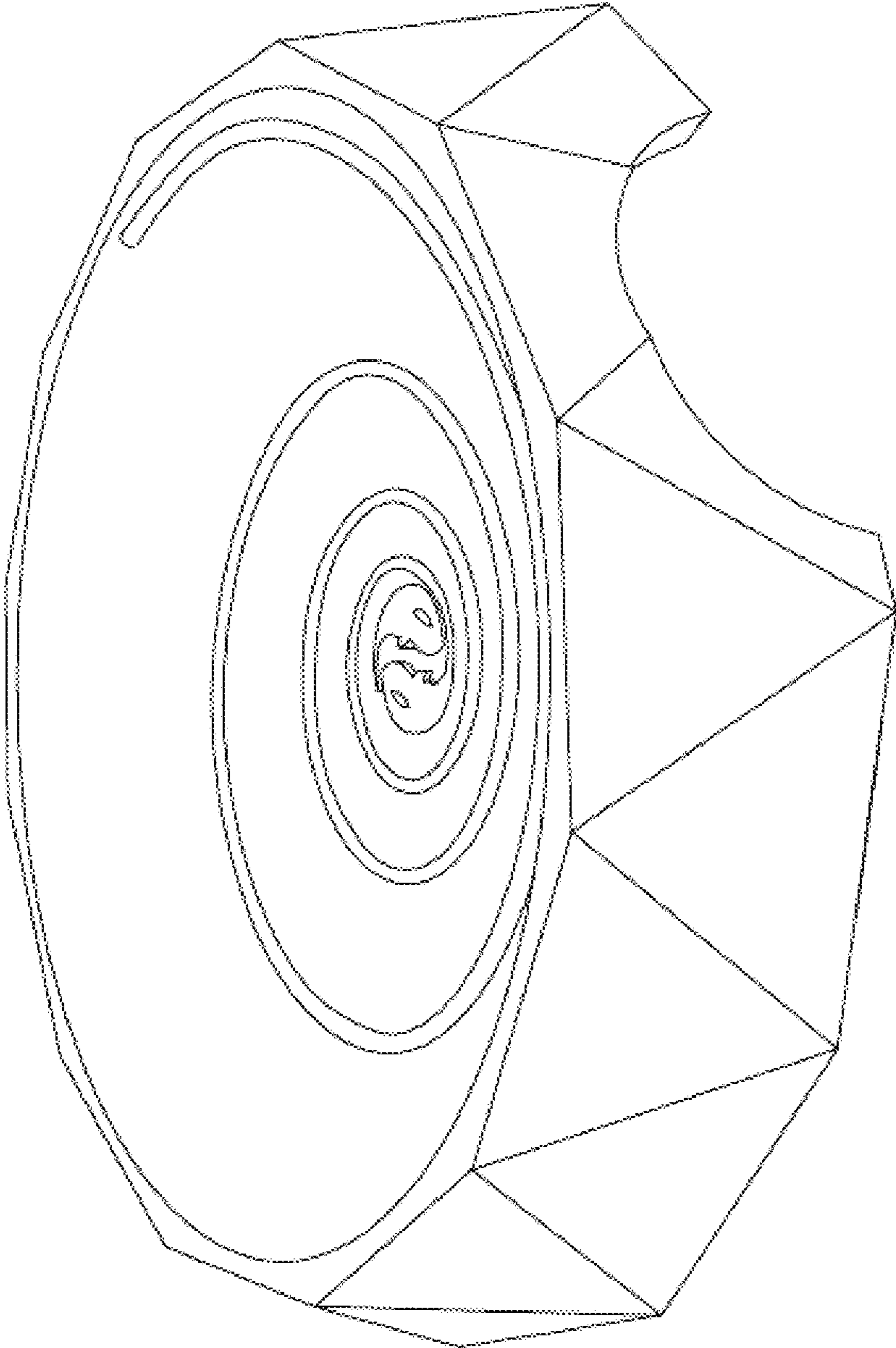


FIG. 5

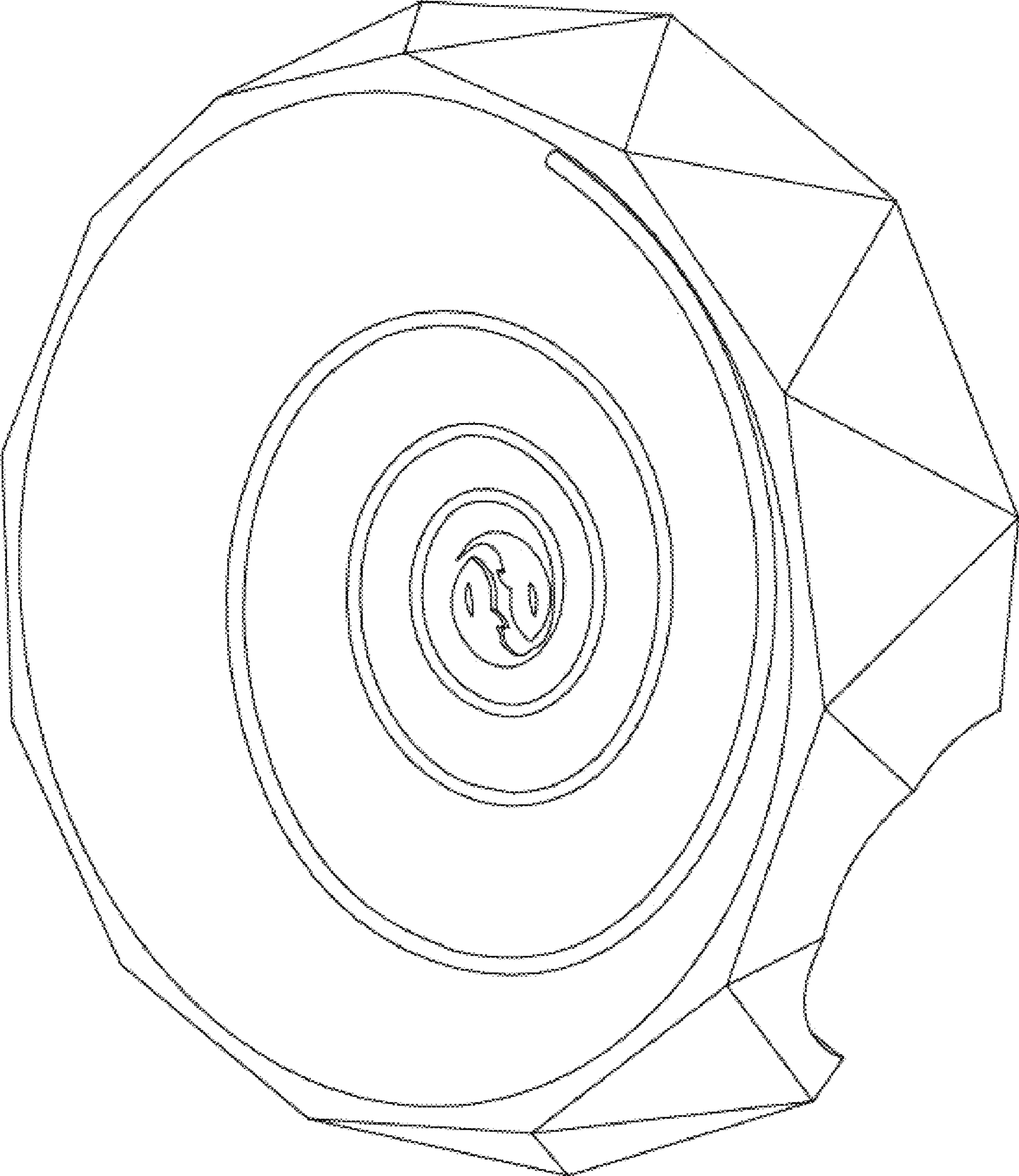


FIG. 6