



US00D900410S

(12) **United States Design Patent**
Berry

(10) **Patent No.:** **US D900,410 S**

(45) **Date of Patent:** **** Oct. 27, 2020**

- (54) **LIQUID SUPPLEMENT TANK**
- (71) Applicant: **Perry Machine & Die, Inc.**, Perry, MO (US)
- (72) Inventor: **David Berry**, Perry, MO (US)
- (73) Assignee: **PERRY MACHINE & DIE, INC.**, Perry, MO (US)
- (**) Term: **15 Years**
- (21) Appl. No.: **29/649,448**
- (22) Filed: **May 30, 2018**
- (51) **LOC (12) Cl.** **30-07**
- (52) **U.S. Cl.**
USPC **D30/121**
- (58) **Field of Classification Search**
USPC D30/104–106, 121, 129–133, 199;
D7/601, 602; D9/737, 756, 772;
D16/249; 426/74, 138, 656
See application file for complete search history.

8,353,260 B1 * 1/2013 Wenstrand A01K 5/01
119/650
D682,484 S 5/2013 Selman
8,555,816 B2 10/2013 Weber et al.
(Continued)

OTHER PUBLICATIONS

“Lick Feeder—280 gallons” available Apr. 9, 2020, [online], [site visited Apr. 9, 2020]. Retrieved from Internet, URL:https://www.barnworld.com/cattle-guards/mineral-feeder-lick-feeder-dura-life-polyethylene-mineral-feeder/ (Year: 2020).
(Continued)

Primary Examiner — Michael C Stout
Assistant Examiner — Katrina N Gonzalez
(74) *Attorney, Agent, or Firm* — Lathrop GPM, LLP

(57) **CLAIM**

The ornamental design for a liquid supplement tank, as shown and described.

DESCRIPTION

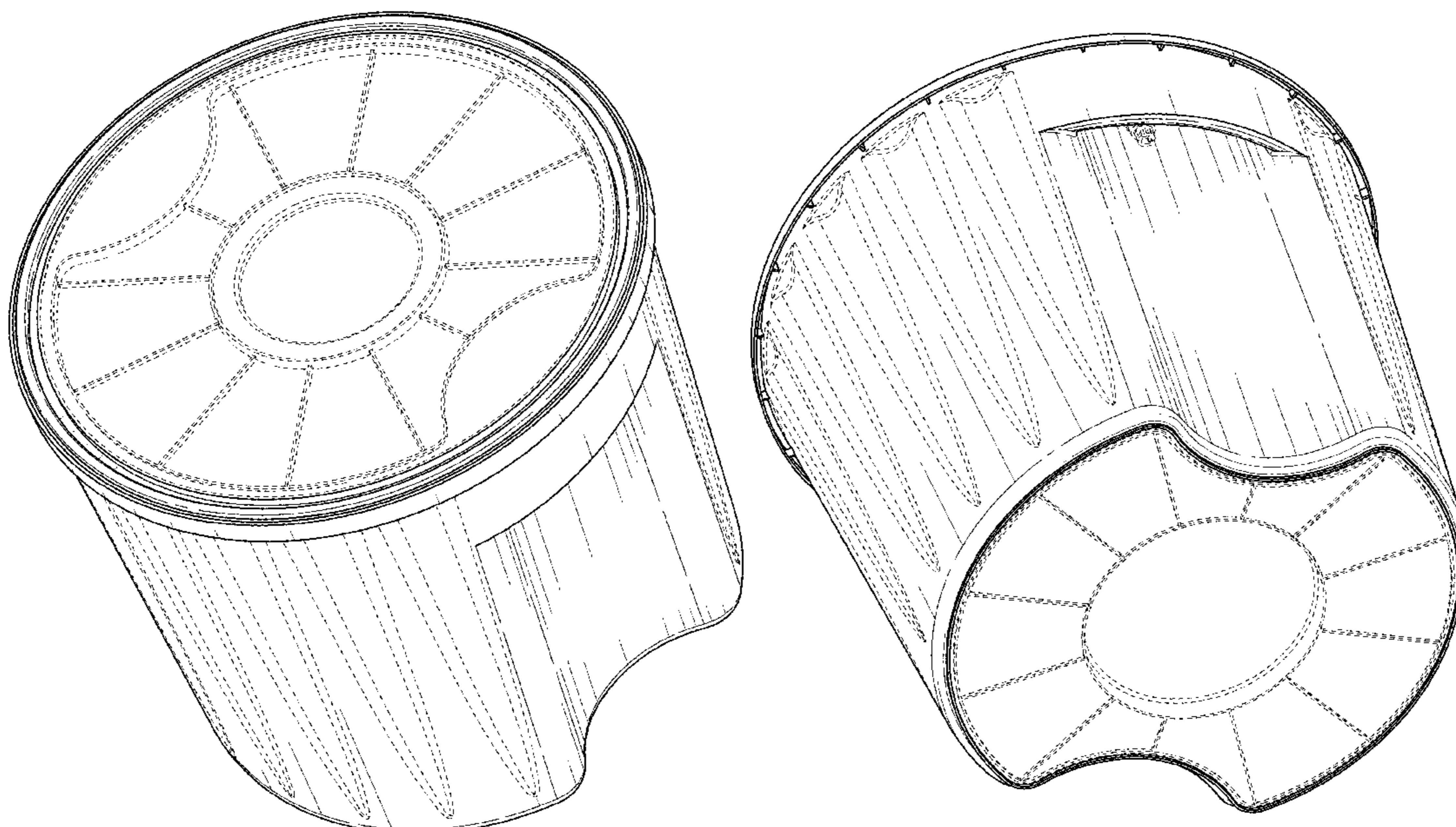
FIG. 1 is a perspective view of a liquid supplement tank showing the new design.
FIG. 2 is a front view of the liquid supplement tank of FIG. 1, the rear view being a mirror image of this front view.
FIG. 3 is a side view of the liquid supplement tank of FIG. 1, the opposite side view being a mirror image of this side view.
FIG. 4 is an end view of the liquid supplement tank of FIG. 1.
FIG. 5 is an opposite end view of the liquid supplement tank of FIG. 1; and,
FIG. 6 is another perspective view of the liquid supplement tank of FIG. 1.
The broken lines illustrate an environmental structure that forms no part of the claimed design.

(56) **References Cited**

U.S. PATENT DOCUMENTS

- D119,785 S * 4/1940 Karstadt D16/249
- D148,814 S * 2/1948 Nevell D16/249
- 2,584,383 A 2/1952 Feck
- 2,584,782 A 2/1952 Beckman
- 2,600,103 A 6/1952 Feck
- D285,498 S * 9/1986 Thibault D30/132
- D321,477 S * 11/1991 Gunter D30/121
- D321,769 S * 11/1991 Schafer D30/131
- D322,336 S * 12/1991 Schafer D30/131
- D322,869 S * 12/1991 Schafer D30/131
- D557,866 S 12/2007 Eisel et al.
- 7,735,455 B2 6/2010 Clark, Jr.
- D655,053 S 2/2012 Weber
- 8,347,818 B2 1/2013 Cowger et al.

1 Claim, 6 Drawing Sheets



(56)

References Cited

U.S. PATENT DOCUMENTS

D716,002 S * 10/2014 Greenan D30/121
2009/0155421 A1* 6/2009 Berry A01K 5/01
426/74

OTHER PUBLICATIONS

“Cattle Liquid Feeder 280 ” available Apr. 21, 2018, [online], [site visited Apr. 9, 2020]. Retrieved from Internet, URL:<https://www.proxibid.com/Farm-Machinery-Implements/Livestock-Supplies/Cattle-Liquid-Feeder-280/lotInformation/41731297> (Year: 2019).*

* cited by examiner

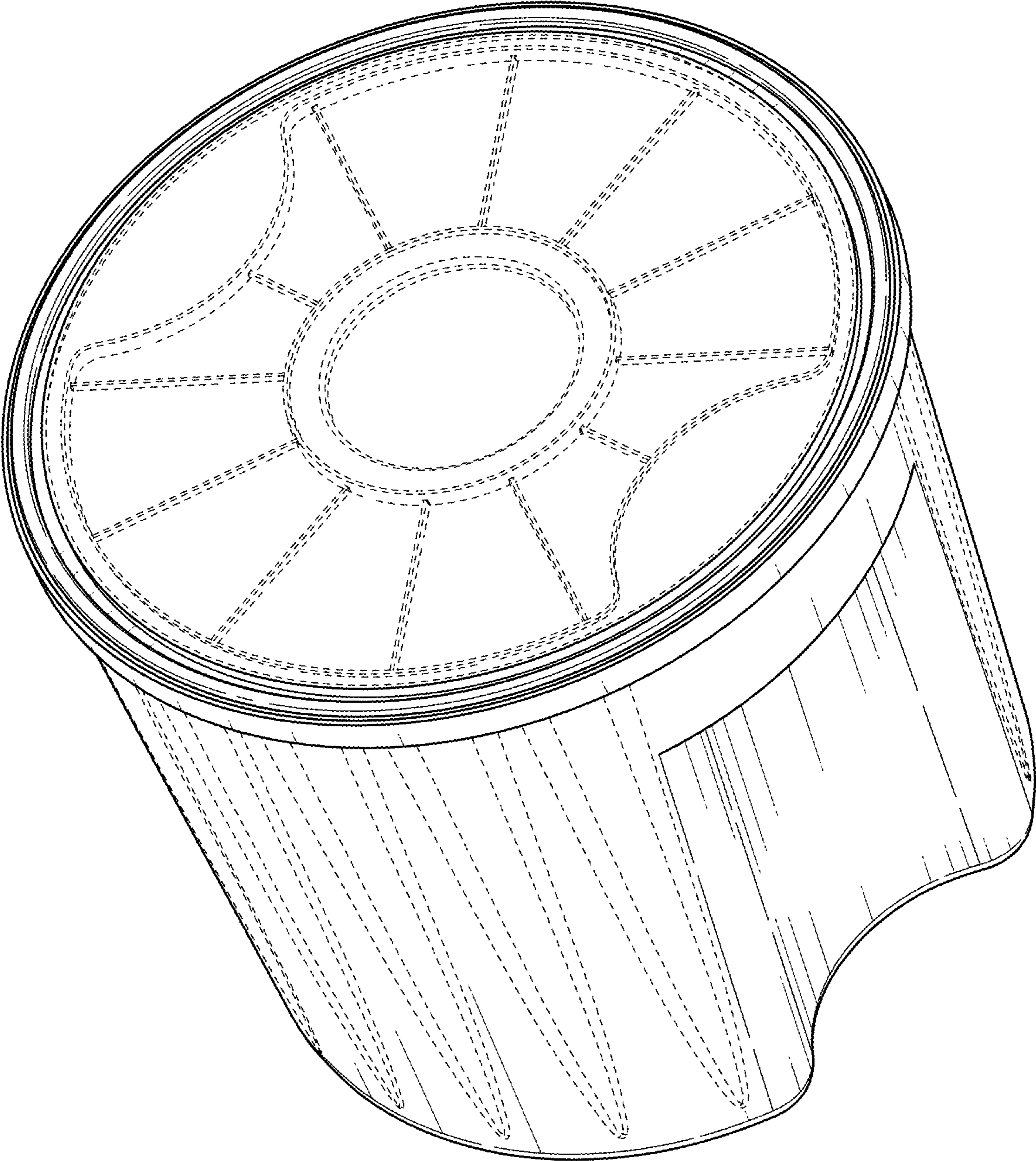


FIG. 1

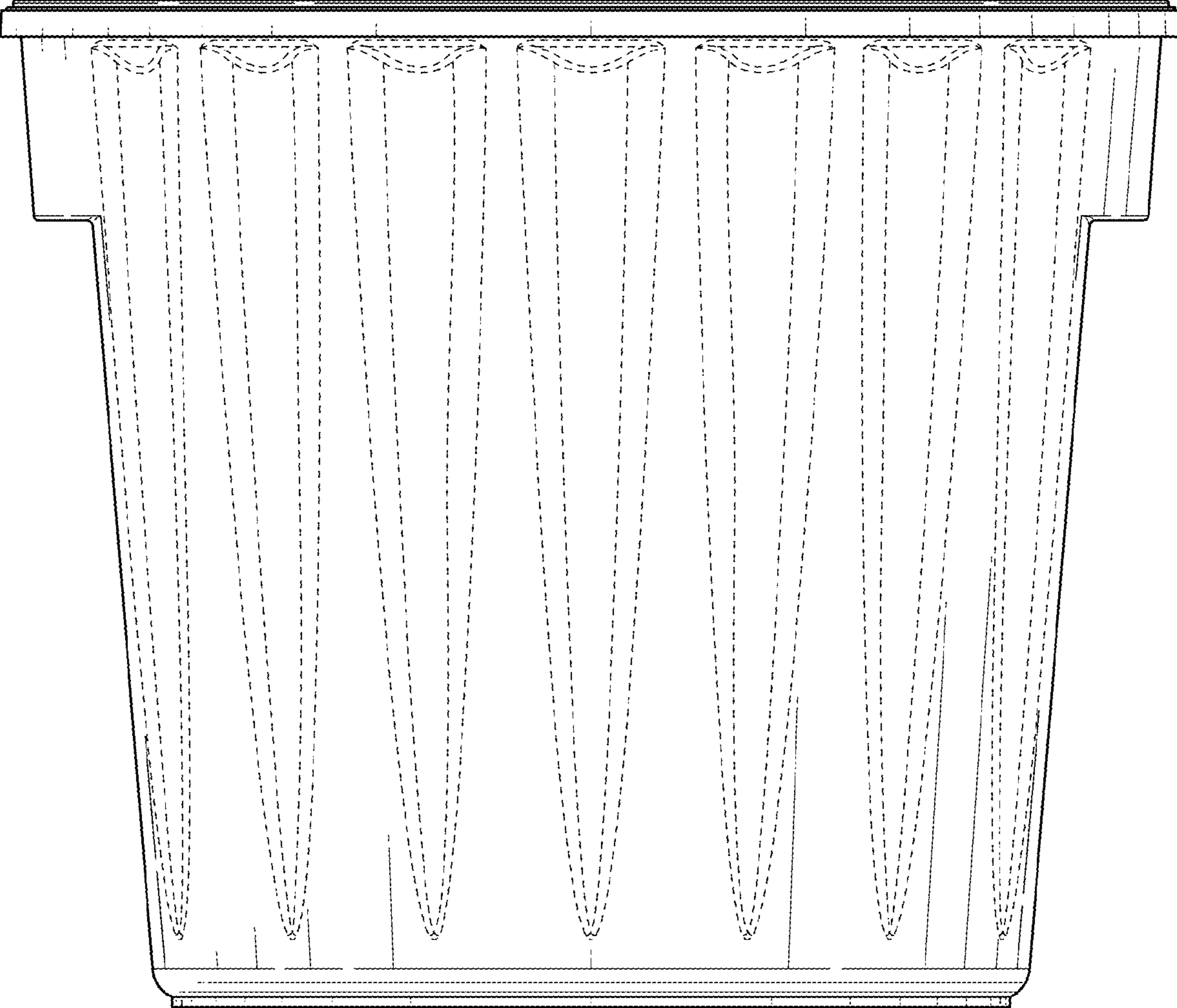


FIG. 2

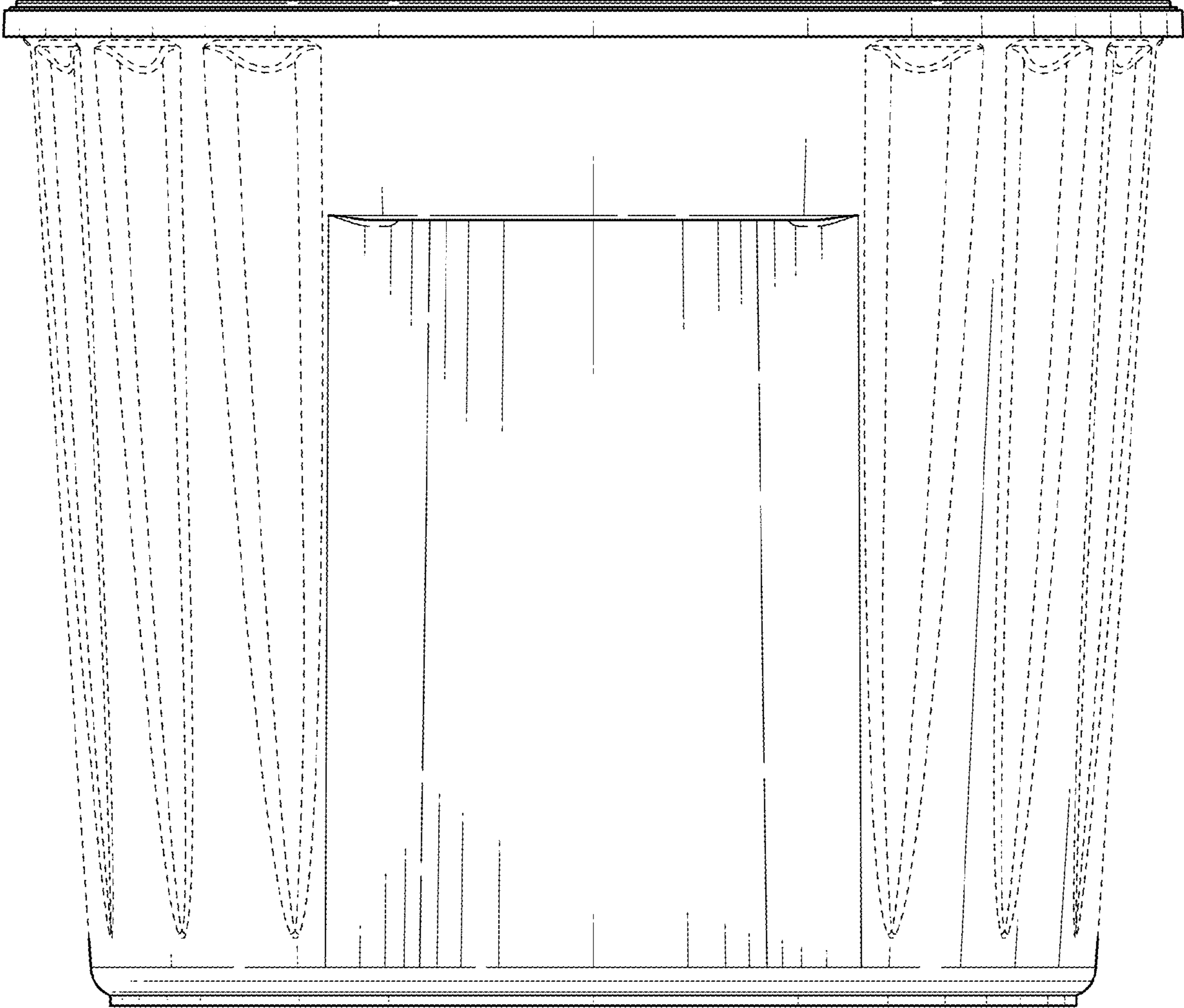


FIG. 3

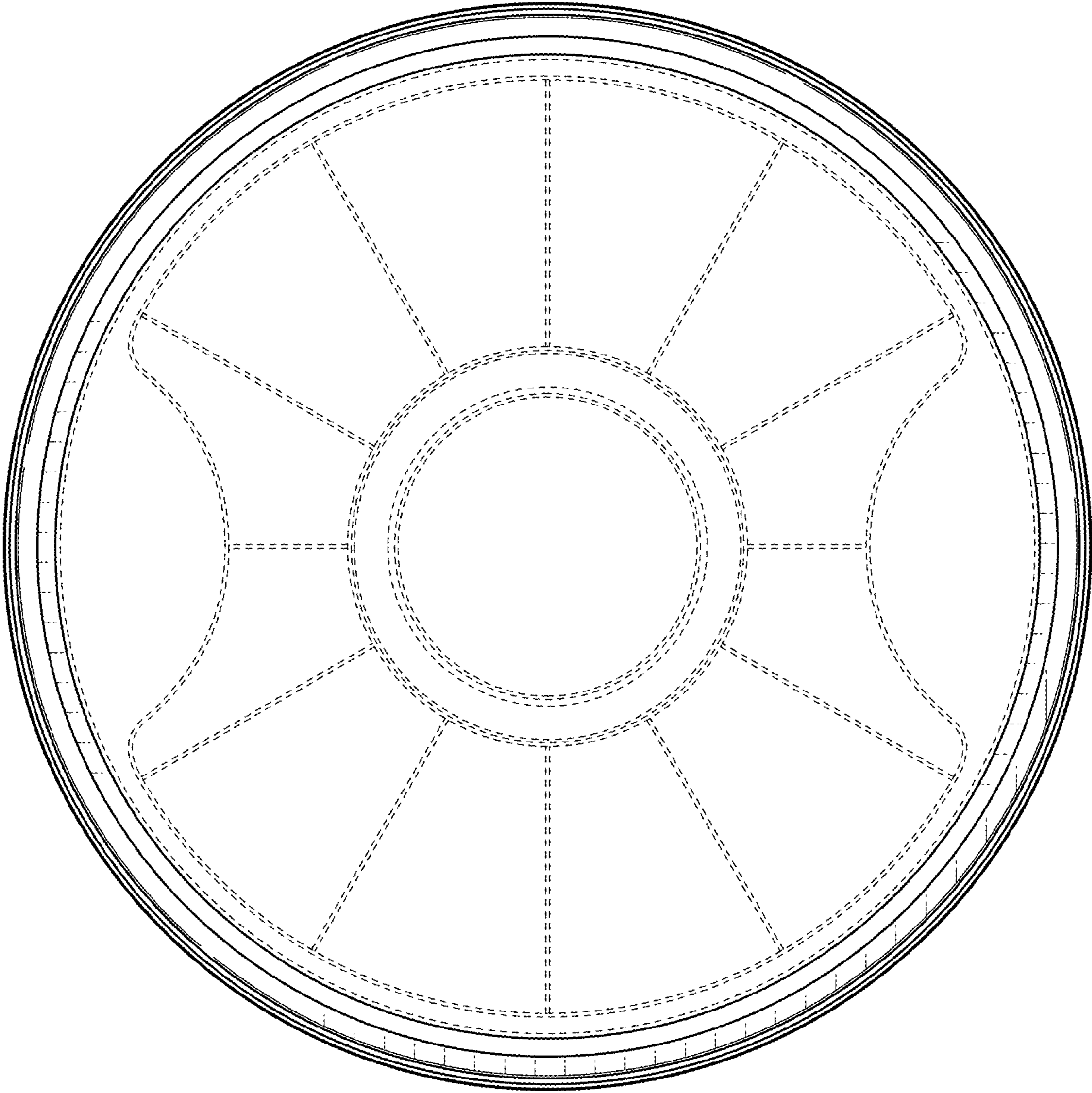


FIG. 4

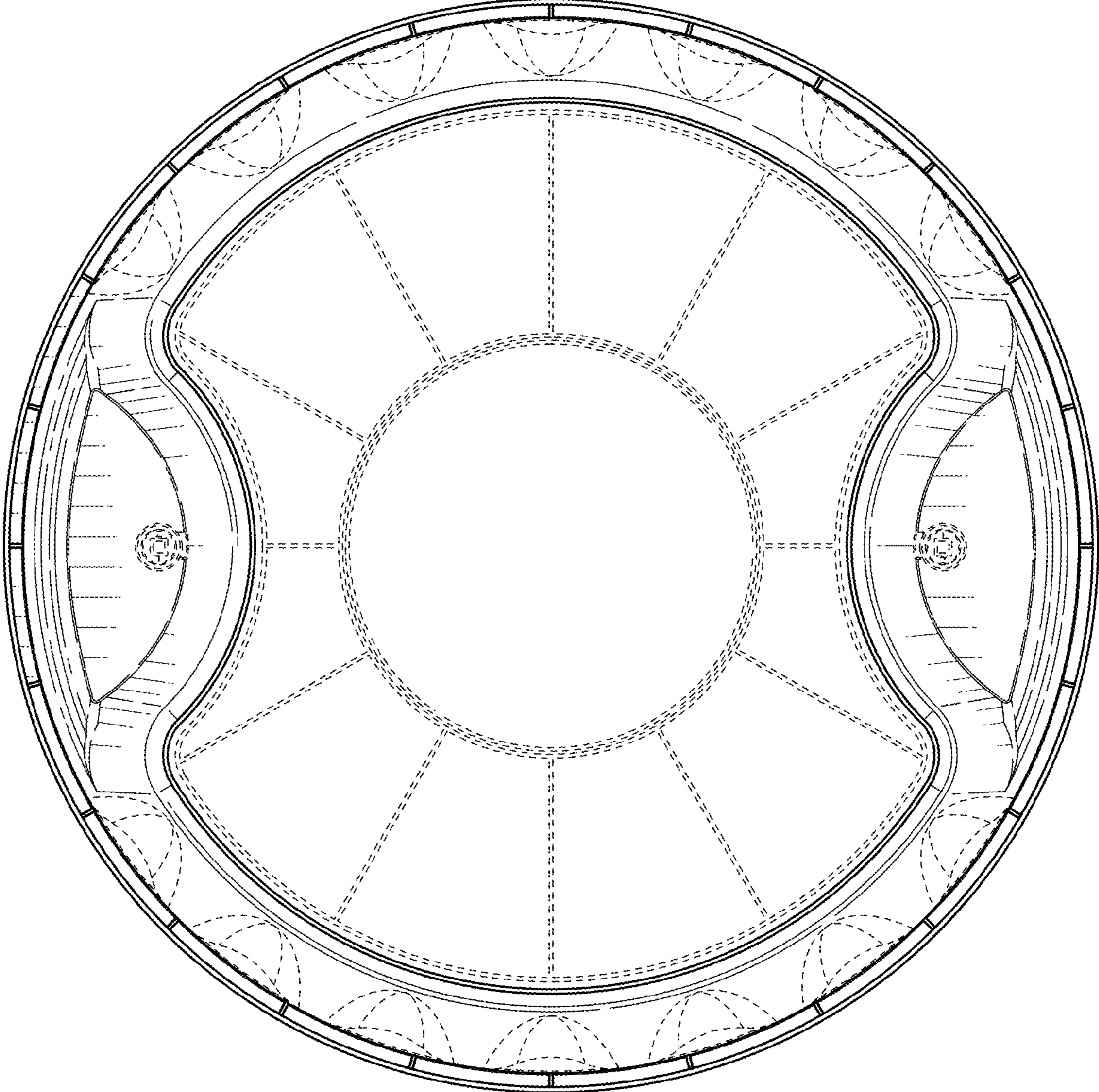


FIG. 5

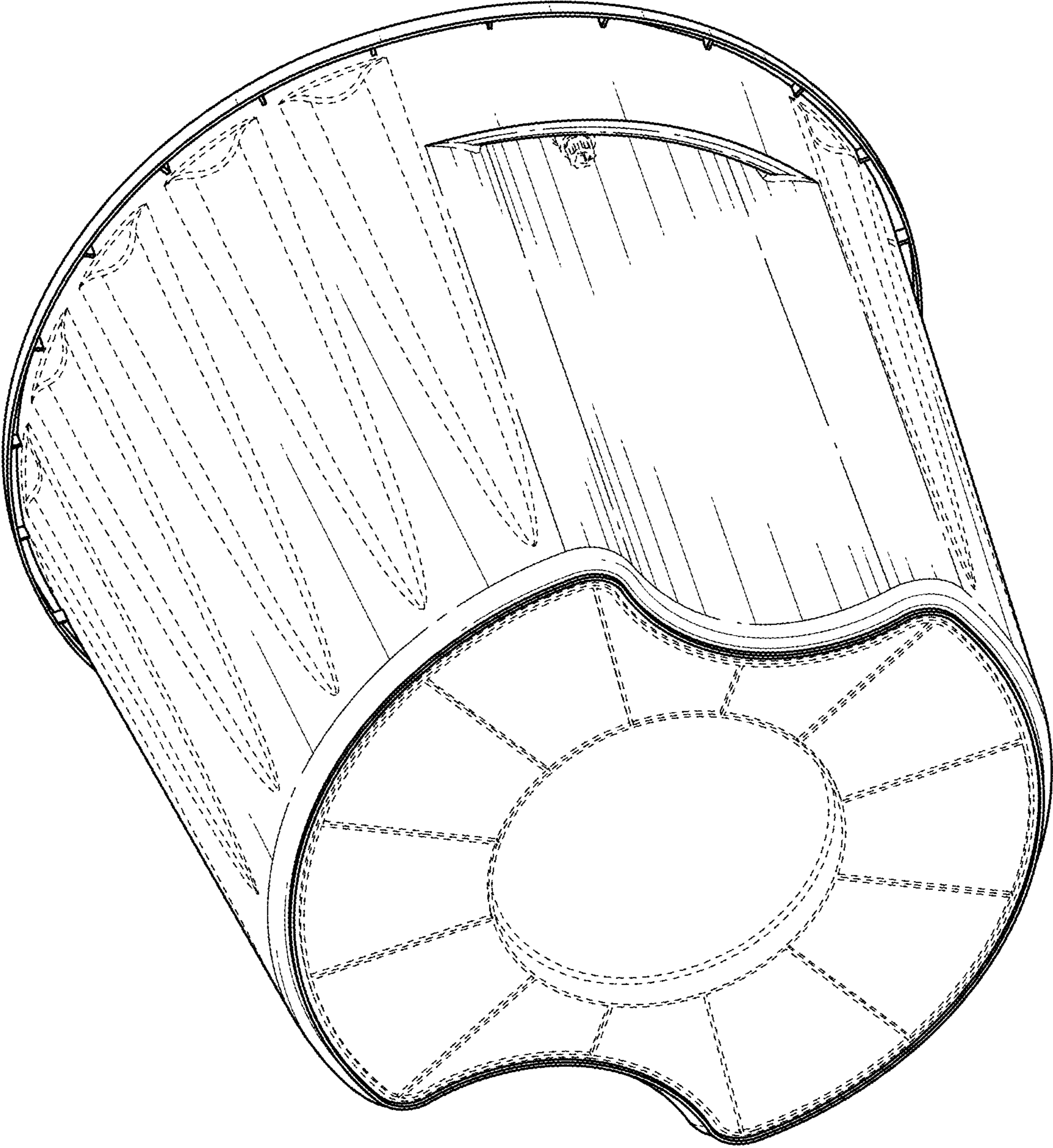


FIG. 6