



US00D900409S

(12) **United States Design Patent**
Huthmaker et al.

(10) **Patent No.:** **US D900,409 S**

(45) **Date of Patent:** **** Oct. 27, 2020**

- (54) **ANIMAL PEN**
- (71) Applicants: **Robert Wayne Huthmaker**, Glenwood Springs, CO (US); **Julie Huthmaker**, Glenwood Springs, CO (US)
- (72) Inventors: **Robert Wayne Huthmaker**, Glenwood Springs, CO (US); **Julie Huthmaker**, Glenwood Springs, CO (US)

2010/0018466 A1* 1/2010 Austin A01K 1/0272
119/28.5
2010/0154118 A1* 6/2010 Pearce A47C 19/005
5/201
2017/0306693 A1 10/2017 Potter

FOREIGN PATENT DOCUMENTS

AU 2015101082 A4 9/2015
WO 2010111513 A1 9/2010

(**) Term: **15 Years**

OTHER PUBLICATIONS

(21) Appl. No.: **29/632,739**

U.S. Appl. No. 61/163,356, filed Mar. 25, 2009.
(Continued)

(22) Filed: **Jan. 9, 2018**

(51) **LOC (12) Cl.** **30-02**

Primary Examiner — Sheryl Lane

(52) **U.S. Cl.**

Assistant Examiner — Aula Soroush

USPC **D30/119**

(74) *Attorney, Agent, or Firm* — Darrow Mustafa PC

(58) **Field of Classification Search**

USPC D30/118–119, 158, 160; D21/520;
D6/601, 349, 595–597, 604, 382

CPC A01K 1/00; A01K 1/0272; A01K 1/0353;
A01K 1/035

See application file for complete search history.

(57) **CLAIM**

The ornamental design for an animal pen, as shown and described.

(56) **References Cited**

DESCRIPTION

U.S. PATENT DOCUMENTS

- D522,933 S * 6/2006 Monaghan D12/130
- D686,287 S * 7/2013 Boatwright D21/686
- 8,640,761 B2 2/2014 Potter
- 8,919,284 B2 * 12/2014 Wolfe, Jr. A01K 15/02
119/28.5
- 9,622,602 B2 4/2017 Potter
- D809,216 S * 1/2018 French D30/118
- D820,526 S 6/2018 Wilson et al.
- 2007/0151026 A1 * 7/2007 Felix A47C 19/005
5/201
- 2008/0276872 A1 * 11/2008 Chern A01K 1/0353
119/28.5
- 2009/0090302 A1 * 4/2009 Conrad A01K 1/0353
119/28.5

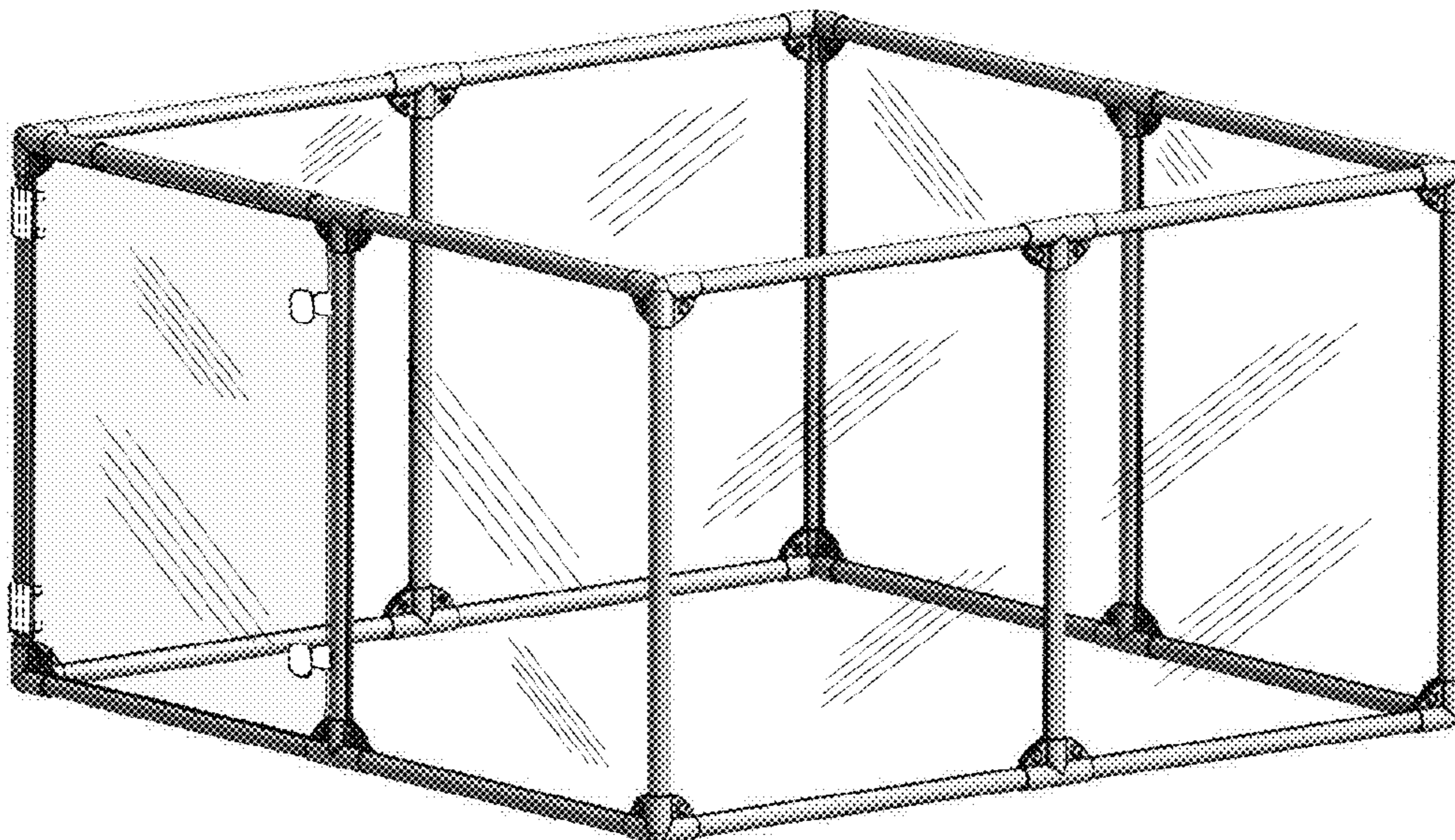
FIG. 1 is a perspective view of an animal pen, showing our ornamental design;

FIG. 2 is a front elevation view of the animal pen of FIG. 1; FIG. 3 is a rear elevation view of the animal pen of FIG. 1; FIG. 4 is a left side elevation view of the end cap for animal pen of FIG. 1;

FIG. 5 is a right side elevation view of the animal pen of FIG. 1;

FIG. 6 is a top plan view of the animal pen of FIG. 1; and, FIG. 7 is a bottom plan view of the animal pen of FIG. 1. The broken lines in the drawings illustrate portions of the animal pen that form no part of the claimed design.

1 Claim, 4 Drawing Sheets



(56)

References Cited

OTHER PUBLICATIONS

Tespo, “Tespo Dog Playpen, Portable Large Plastic Yard Fence for Small Animals, Popup Kennel Crate Fence Tent, Transparent White 12 Panels”, Retrieved from the Internet <https://www.amazon.com/Tespo-Playpen-Portable-Plastic-Transparent/dp/B06XTG94TH/ref=sr_1_3?ie=UTF8&qid=1522082785&sr=8-3&keywords=plastic+dog+pen>, retrieved Apr. 18, 2018 (11 pages).

Kousi, “Small Pets Playpen Indoor Yard Fence for Small Animals Popup Kennel Crate, Portable & Large, Dog Guinea Pigs Rabbit Puppy Tent—Transparent 12 Plastic Panels”, Retrieved from the Internet <https://www.amazon.com/KOUSI-Playpen-Indoor-Animals-Portable/dp/B01L3JMRGQ/ref=redir_mobile_desktop?_encoding=UTF8&ref_cm_cr_ar_p_mb_bdcrb_top>, retrieved Jan. 10, 2018 (9 pages).

* cited by examiner

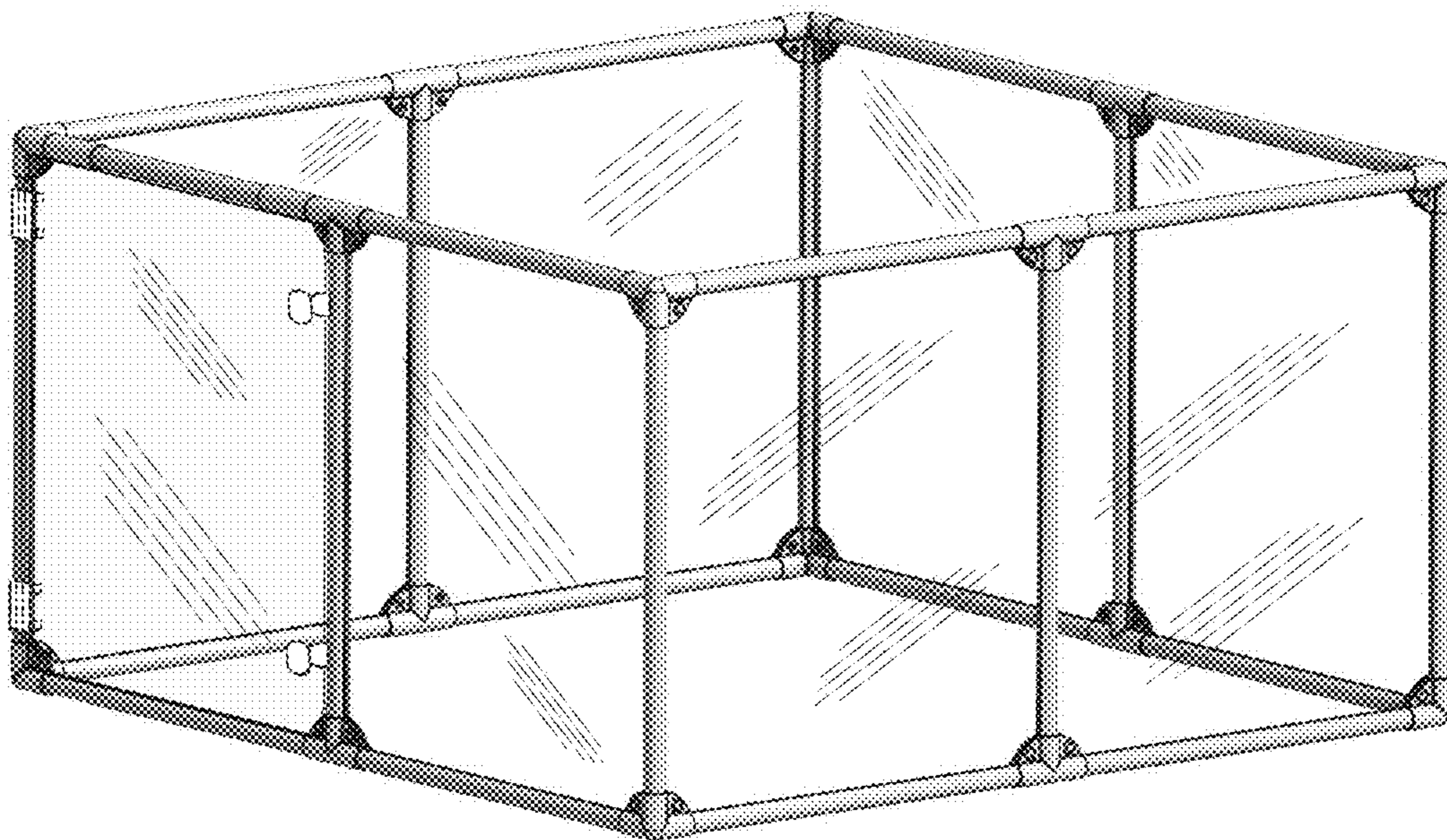


FIG. 1

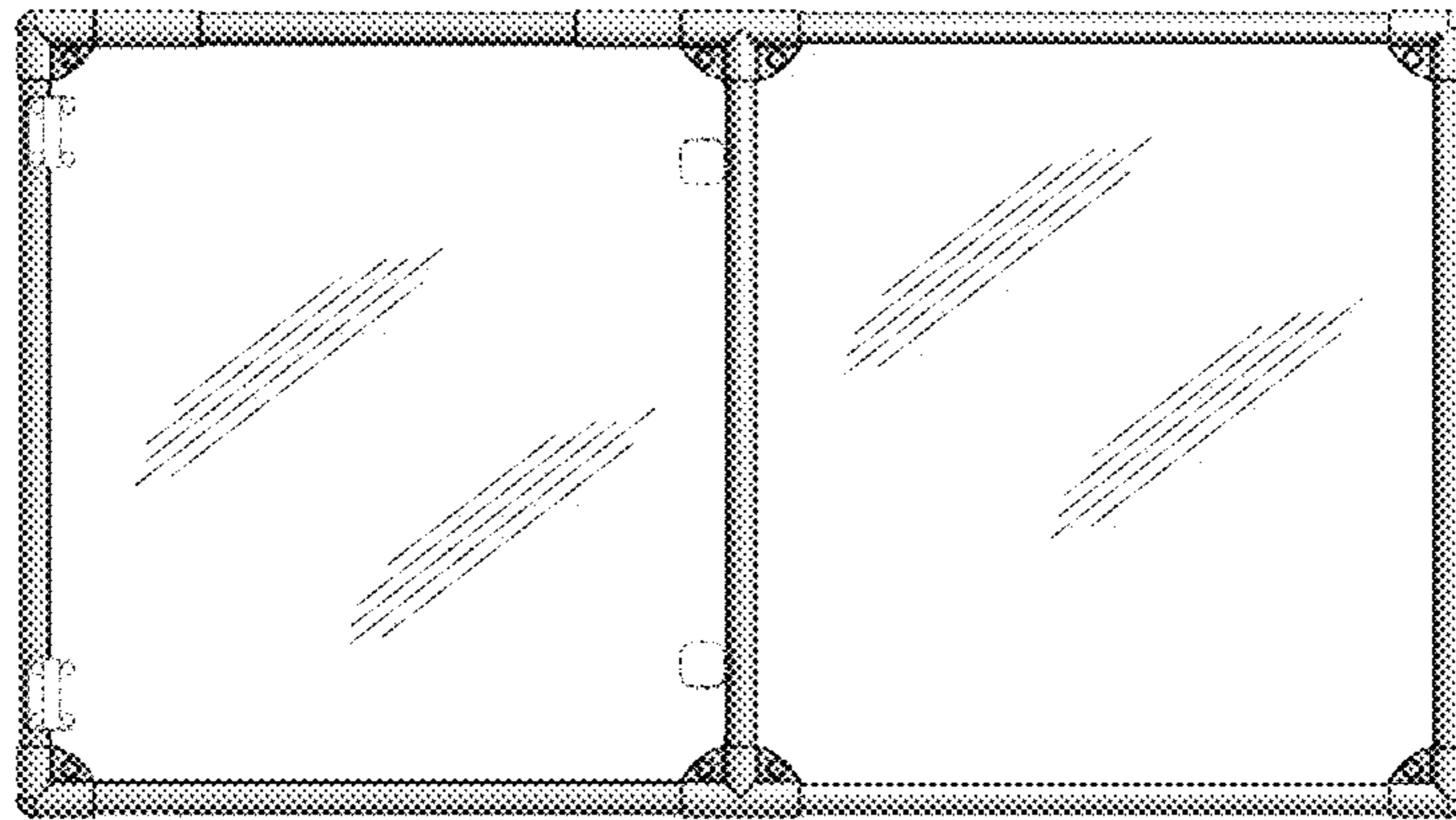


FIG. 2

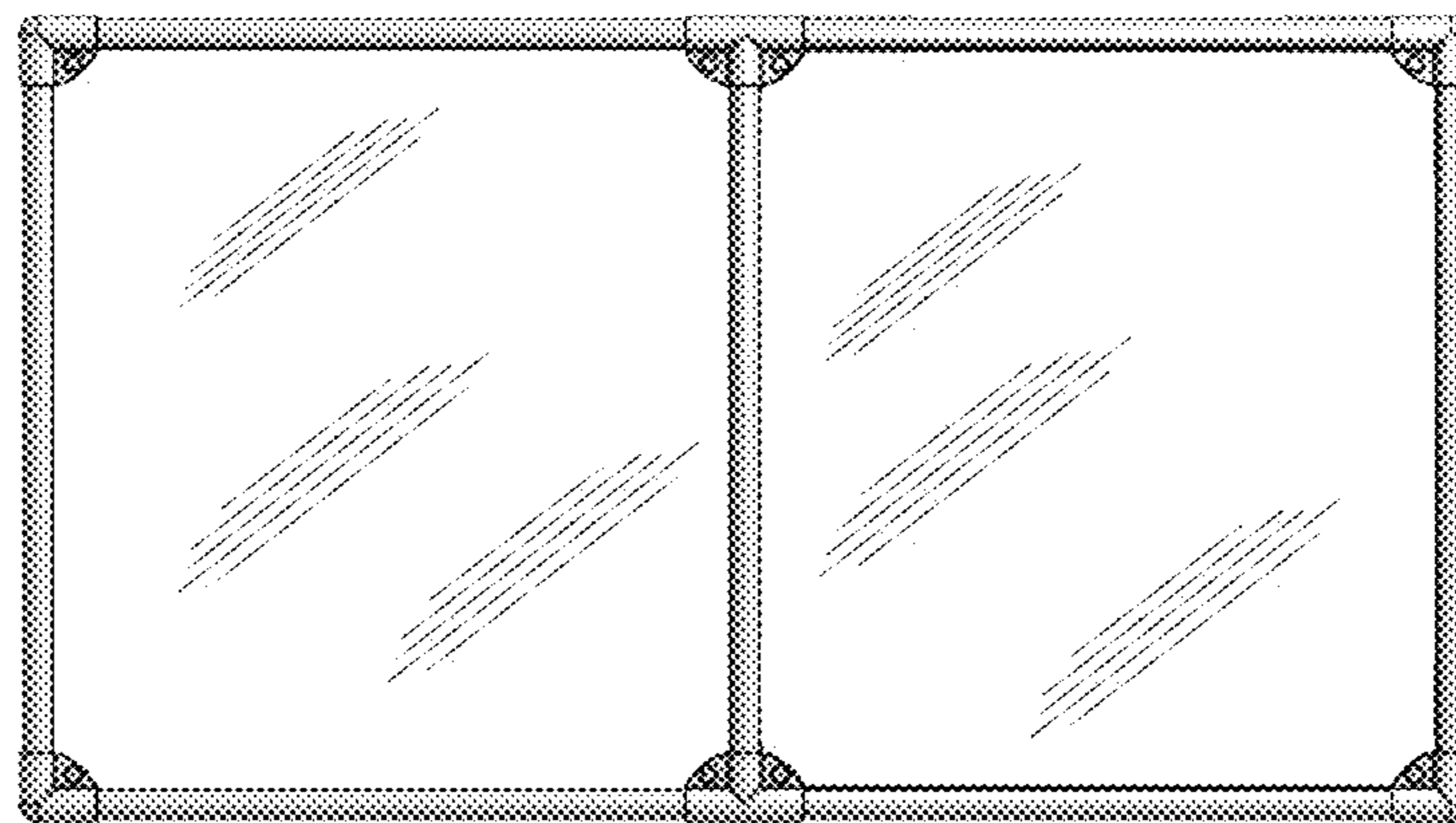


FIG. 3

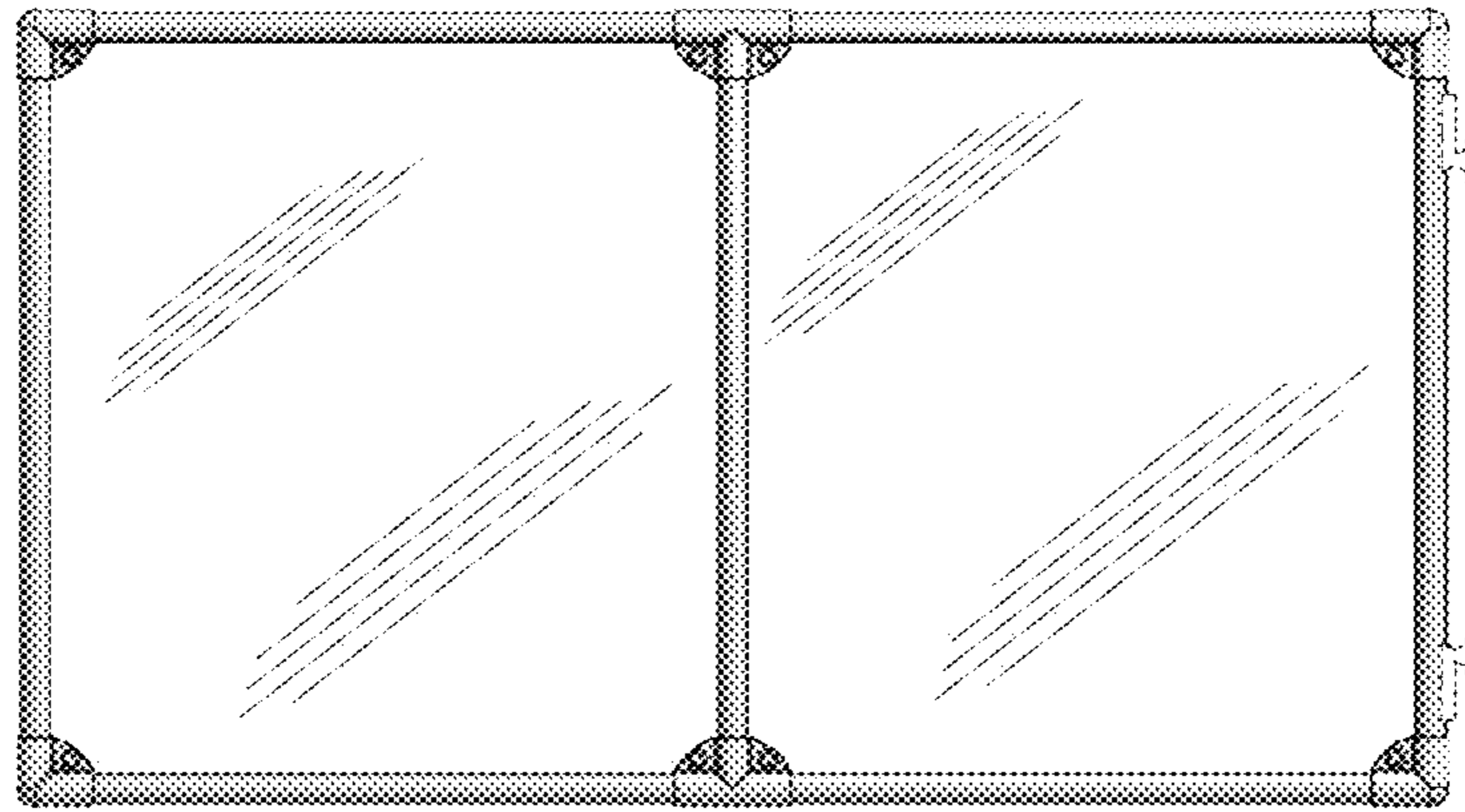


FIG. 4

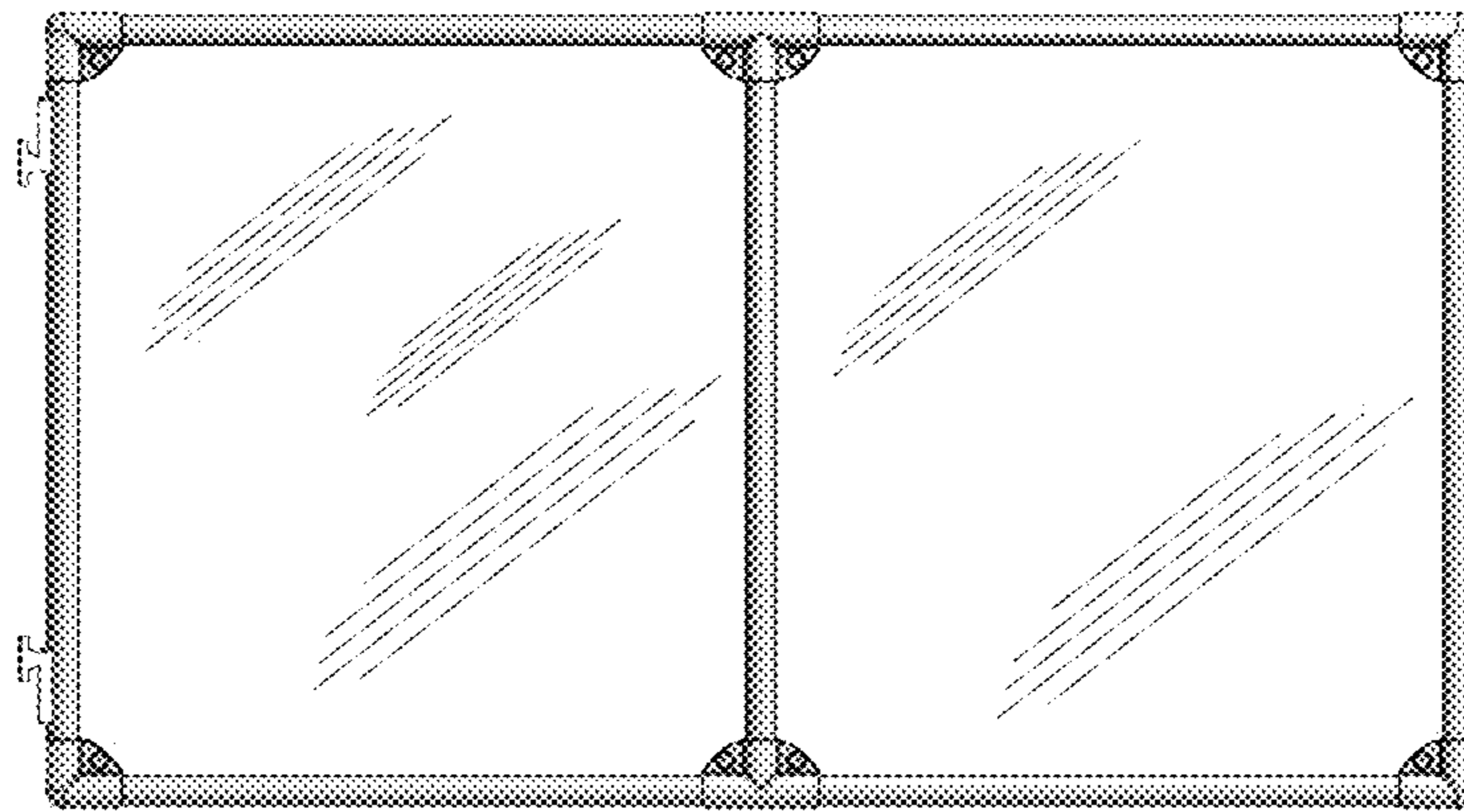


FIG. 5

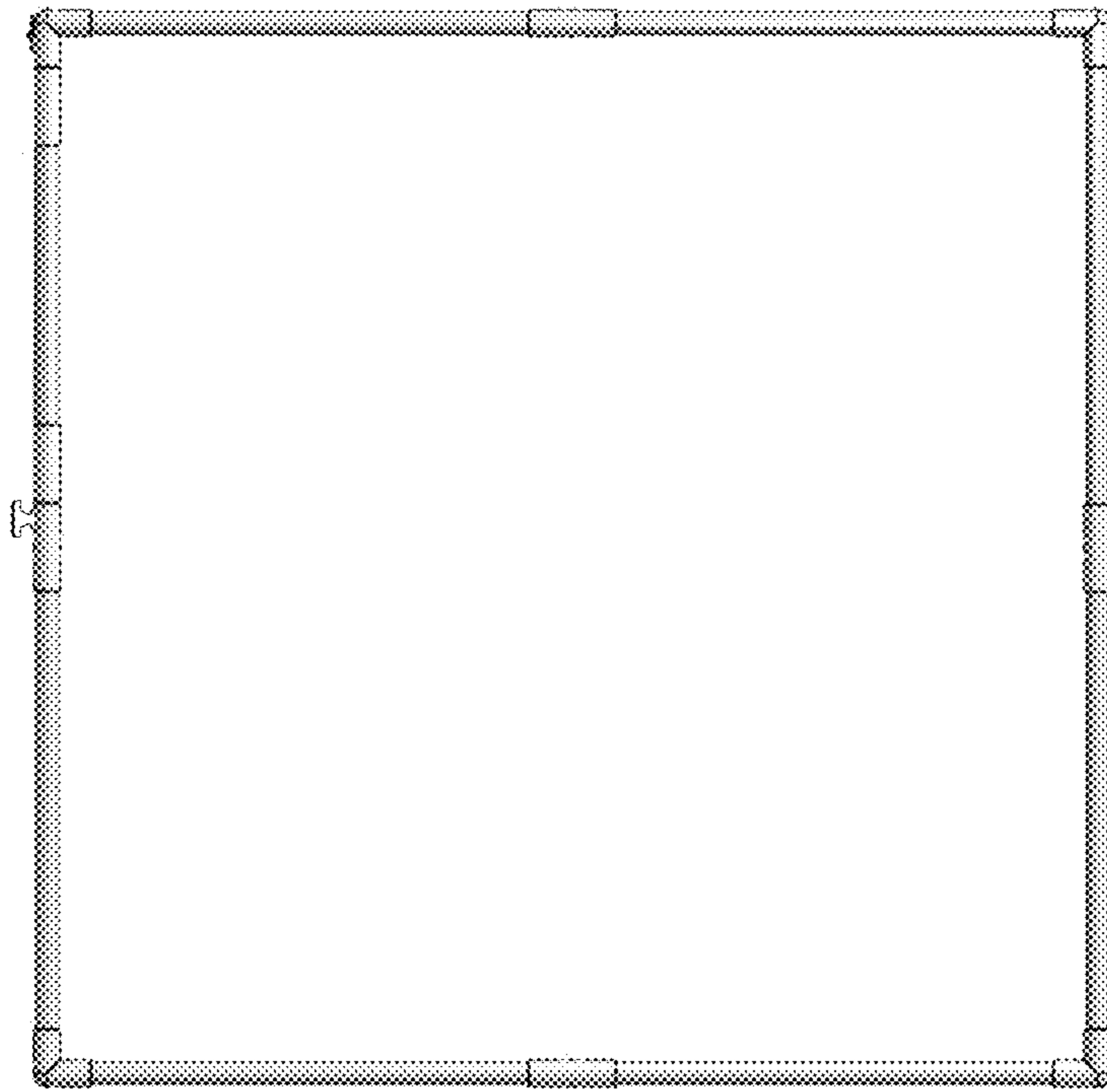


FIG. 6

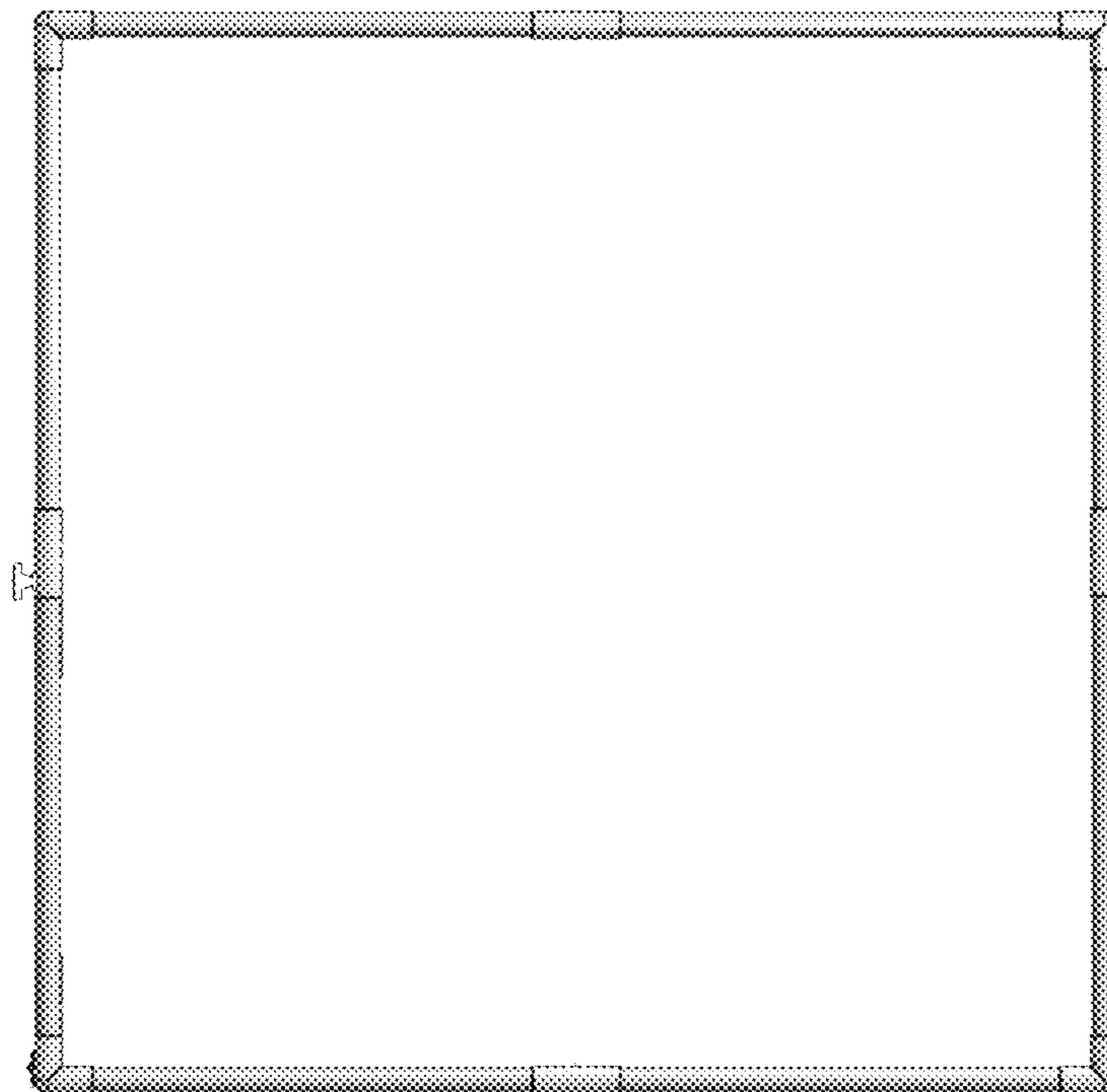


FIG. 7