



US00D900407S

(12) **United States Design Patent**  
**Hanudel et al.**

(10) **Patent No.:** **US D900,407 S**  
(45) **Date of Patent:** **\*\* Oct. 27, 2020**

(54) **HELMET ACCESSORY MOUNTING SYSTEM**

8,984,665 B2 \* 3/2015 Celona ..... A42B 3/04  
2/6.2

(71) Applicant: **Gentex Corporation**, Simpson, PA  
(US)

D750,846 S 3/2016 Noordzij et al.  
D750,847 S 3/2016 Noordzij et al.  
D766,521 S 9/2016 Hanudel  
D774,704 S 12/2016 Hancock et al.

(72) Inventors: **Matthew Hanudel**, Dedham, MA (US);  
**Michael Lawrence Franzino**, Bedford,  
NH (US); **Stephen Bourque**, Littleton,  
MA (US); **Scott W. James**, Epping, NH  
(US); **Daniel Berry**, Rochester, NH  
(US); **Nathan Winters**, Merrimack, NH  
(US); **Zoltan S. Brutler**, Groton, MA  
(US); **Ross Fade Barber**, Auburn, NH  
(US)

(Continued)

**FOREIGN PATENT DOCUMENTS**

CN 302271833 1/2013  
CN 302718619 1/2014

(Continued)

**OTHER PUBLICATIONS**

DLP Tactical Helmets, Copyright 2020, DLP Tactical, Accessed on  
May 21, 2020 [https://www.dlptactical.com/collections/helmets],  
14 pages.

(Continued)

*Primary Examiner* — Kimberly Barnes  
(74) *Attorney, Agent, or Firm* — Morgan, Lewis &  
Bockius LLP

(73) Assignee: **Gentex Corporation**, Simpson, PA  
(US)

(\*\*) Term: **15 Years**

(21) Appl. No.: **29/735,709**

(22) Filed: **May 22, 2020**

(51) **LOC (12) Cl.** ..... **02-99**

(52) **U.S. Cl.**  
USPC ..... **D29/122**

(58) **Field of Classification Search**  
USPC ..... D29/102, 103, 105, 106, 107, 122  
CPC ..... A42B 3/00; A42B 3/04; A42B 3/0406;  
A42B 3/085; A42B 3/16; A42B 3/185;  
A42B 3/228; A42B 3/30; A42B 3/18;  
A42B 3/20; A42B 3/22; A42B 3/24;  
F41H 1/04  
See application file for complete search history.

(57) **CLAIM**

The ornamental design for a helmet accessory mounting  
system, as shown and described.

**DESCRIPTION**

FIG. 1 is a front perspective view of a helmet accessory  
mounting system showing our new design;  
FIG. 2 is a rear perspective view thereof;  
FIG. 3 is a front elevational view thereof;  
FIG. 4 is a rear elevational view thereof;  
FIG. 5 is a right-side elevational view thereof;  
FIG. 6 is a left-side elevational view thereof;  
FIG. 7 is a top plan view thereof; and,  
FIG. 8 is a bottom plan view thereof.

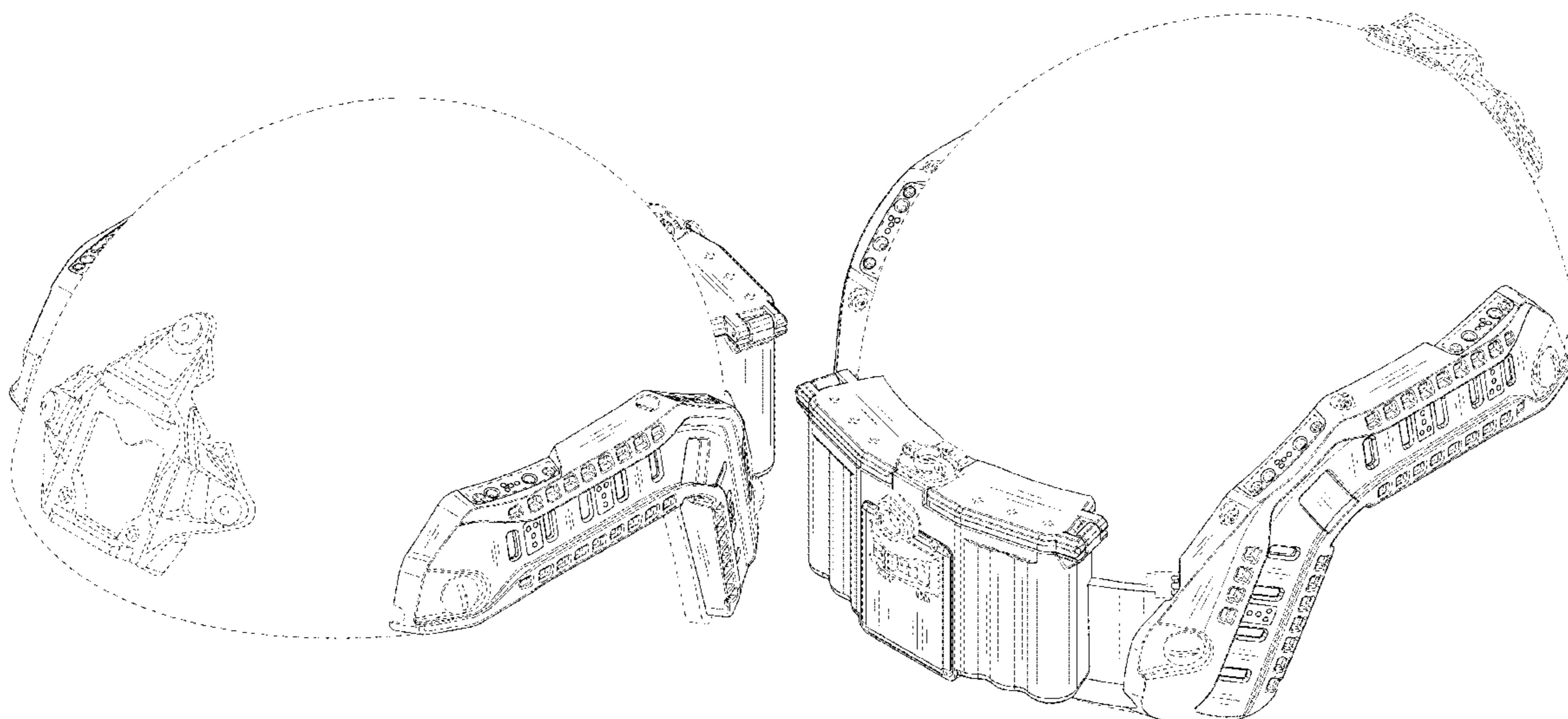
The broken lines illustrate structure or features that form no  
part of the claimed design.

(56) **References Cited**

**U.S. PATENT DOCUMENTS**

D202,539 S 10/1965 Atlas et al.  
D635,305 S 3/2011 Lebel et al.  
D638,168 S 5/2011 Lebel et al.  
D638,169 S 5/2011 Lebel et al.

**1 Claim, 8 Drawing Sheets**



(56)

References Cited

U.S. PATENT DOCUMENTS

D777,379 S 1/2017 Mullins et al.  
 D782,123 S 3/2017 Lebel et al.  
 D782,124 S 3/2017 Lebel et al.  
 9,622,529 B2\* 4/2017 Teetzel ..... A42B 3/0406  
 D788,377 S 5/2017 Hanudel  
 D788,379 S 5/2017 Hancock et al.  
 D794,256 S 8/2017 Hancock et al.  
 D805,696 S 12/2017 Lebel et al.  
 D807,588 S 1/2018 Hancock et al.  
 D812,817 S\* 3/2018 Allinson ..... D29/107  
 10,165,817 B2\* 1/2019 Redpath ..... A42B 3/0406  
 D840,605 S 2/2019 O'Connell  
 D846,810 S 4/2019 Akrapovic  
 10,281,241 B2\* 5/2019 Noordzij ..... F41H 1/08  
 D855,258 S 7/2019 O'Connell  
 10,350,113 B2\* 7/2019 Le ..... H04R 1/1066  
 D866,867 S 11/2019 Devitt  
 D869,777 S 12/2019 O'Connell  
 D881,380 S 4/2020 Cartwright  
 10,617,168 B2\* 4/2020 Winters ..... A42B 3/0406  
 2015/0189939 A1\* 7/2015 Roberts ..... A42B 3/04  
 2/422  
 2015/0245682 A1\* 9/2015 McGinn ..... A42B 3/205  
 2/422  
 2017/0150769 A1\* 6/2017 Lebel ..... A42B 3/30  
 2018/0092426 A1\* 4/2018 Hall ..... A42B 3/328  
 2019/0101359 A1\* 4/2019 Zimmer ..... A42B 3/166  
 2019/0208854 A1\* 7/2019 Teetzel ..... A42B 3/04  
 2019/0231016 A1\* 8/2019 Deshpande ..... A42B 3/04  
 2019/0320753 A1\* 10/2019 Le ..... H04R 1/105  
 2019/0365009 A1\* 12/2019 Frieder, III ..... A42B 3/185  
 2020/0077732 A1\* 3/2020 O'Connell ..... A42B 3/04

FOREIGN PATENT DOCUMENTS

CN 302755116 3/2014  
 CN 303092194 2/2015  
 CN 304754685 8/2018  
 CN 304785392 8/2018  
 CN 304840902 10/2018  
 CN 304954523 12/2018  
 CN 304954524 12/2018  
 CN 304960249 12/2018  
 CN 305206019 6/2019  
 CN 305206020 6/2019  
 CN 305719310 4/2020

OTHER PUBLICATIONS

The Flux Helmet System, Mtek USA, Accessed on May 21, 2020 [https://www.mtekusa.com/#flux], 24 pages.  
 Galvion Helmets, Galvion, Accessed on May 21, 2020, [https://www.galvion.com/collections/helmets], 7 pages.  
 OPS-Core 2012 Product Catalog, OPS-CORE, Inc., 23 pages.  
 OPS-Core 2013 Product Catalog, OPS-CORE, Inc., 23 pages.  
 Helmet Systems, Capability Upgrades & Accessories, Gentex Corporation, Copyright 2020, Accessed May 21, 2020 [https://shop.gentexcorp.com/helmet-systems-capability-upgrades-accessories/], 4 pages.  
 3M™ Ballistic Helmets, 3M, Copyright 2020, Accessed on May 21, 2020 [https://www.3m.com/3M/en\_US/company-us/all-3m-products/~/All-3M-Products/Manufacturing/Defense/Advanced-Materials/Defense-Protection-Systems/Ballistic-Helmets/?N=5002385+8709320+8709345+8710729+8711017+8719564+8745513+3294857497&rt=r3].

\* cited by examiner

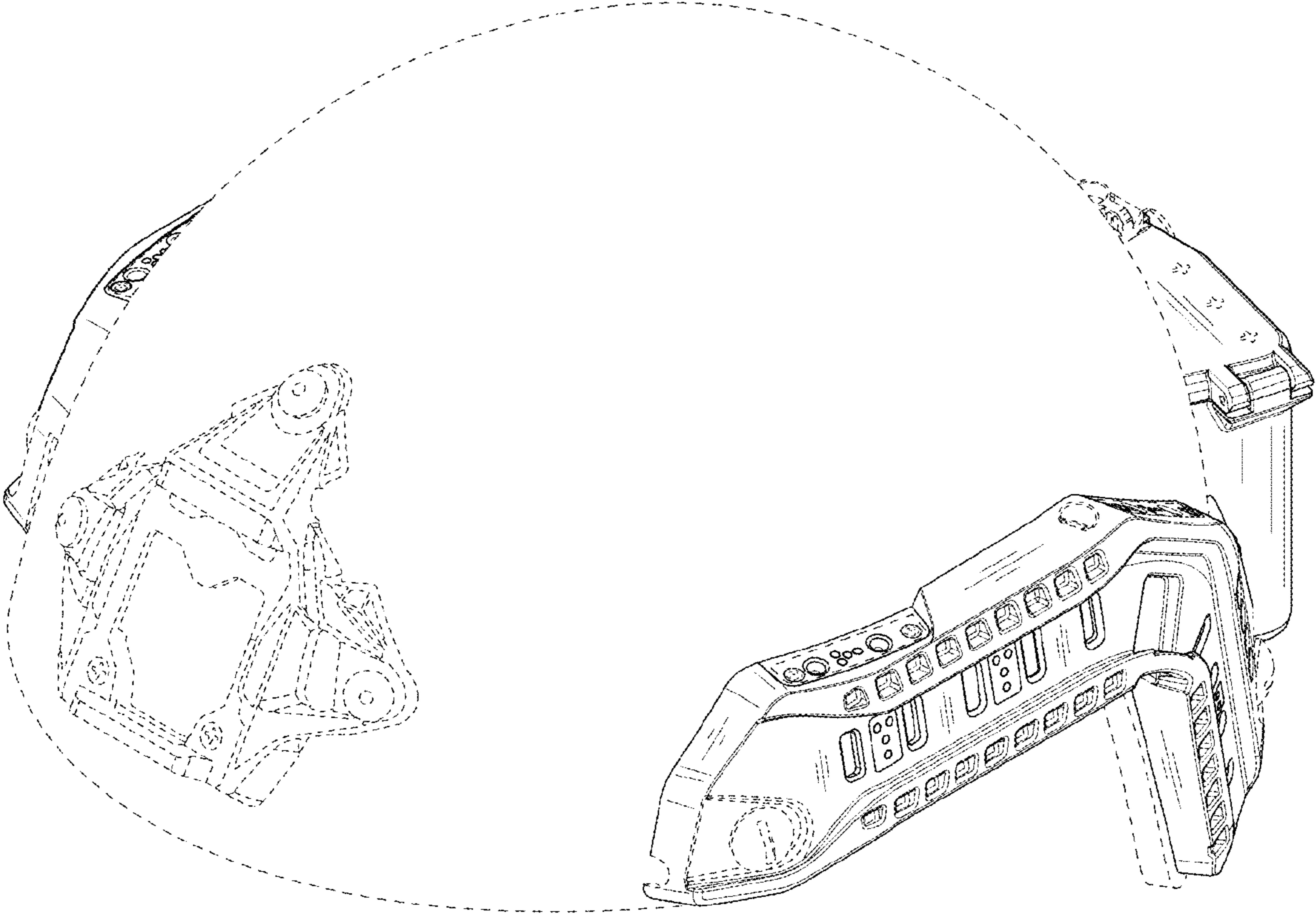


FIG. 1

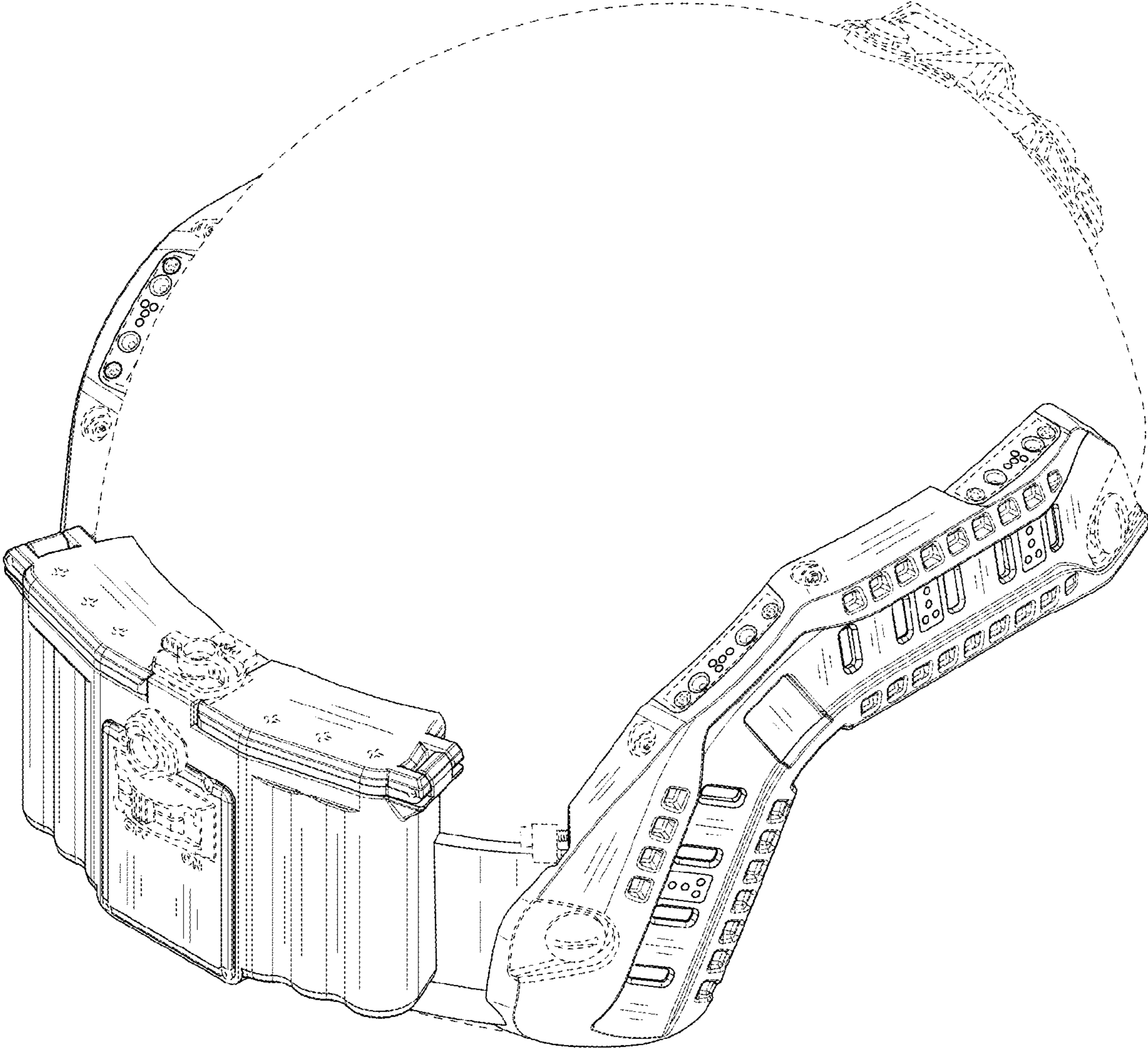


FIG. 2

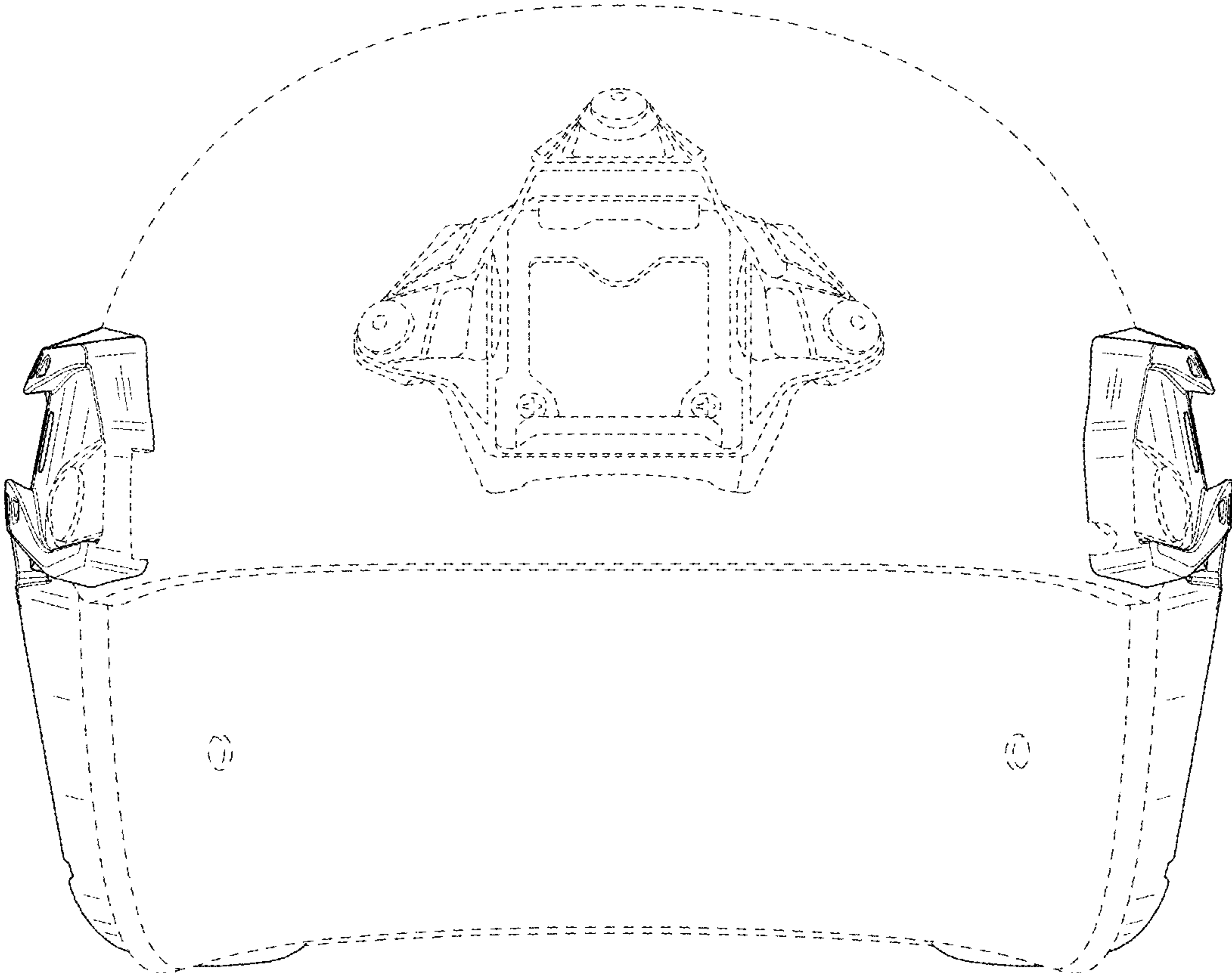


FIG. 3

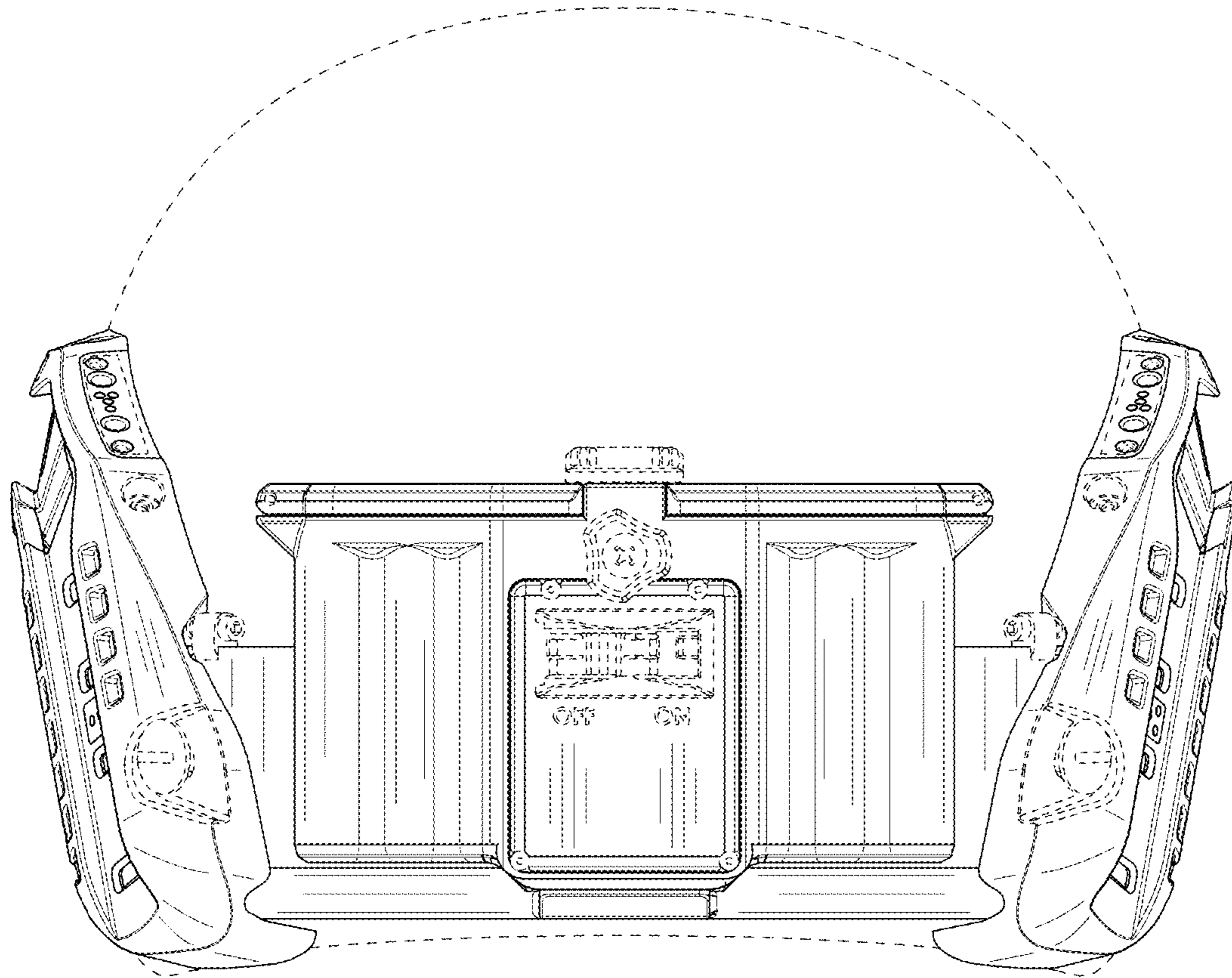


FIG. 4

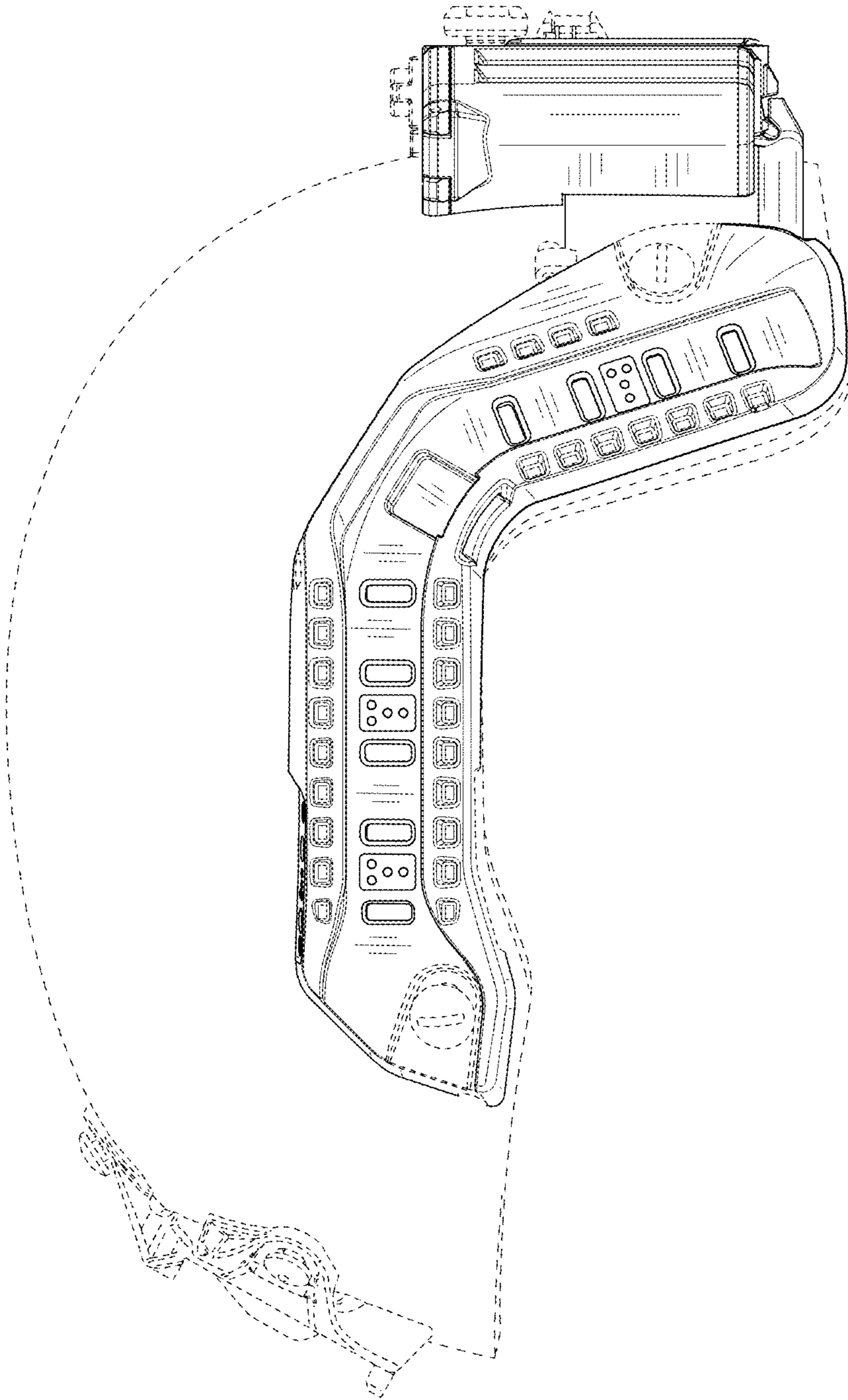


FIG. 5

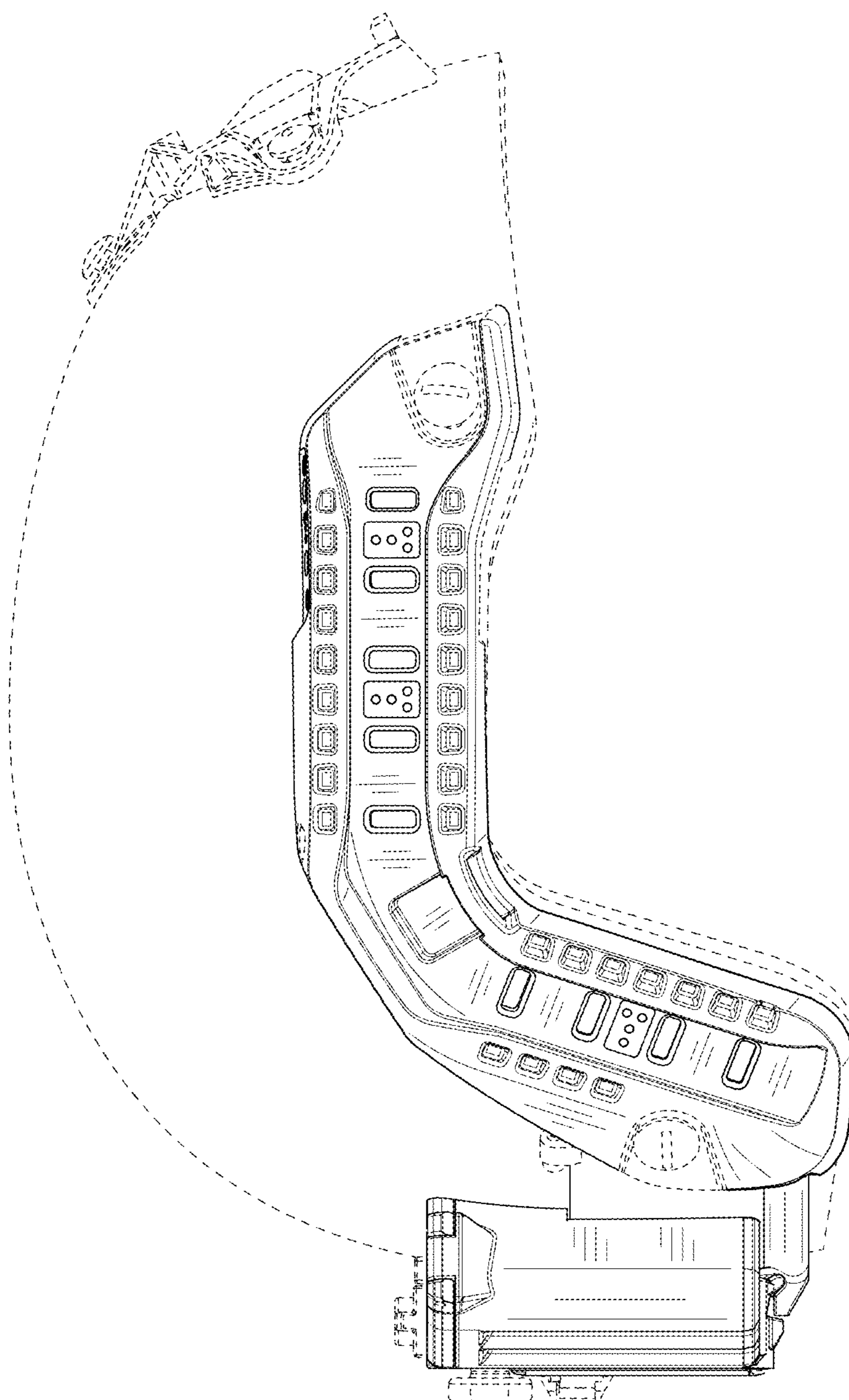


FIG. 6



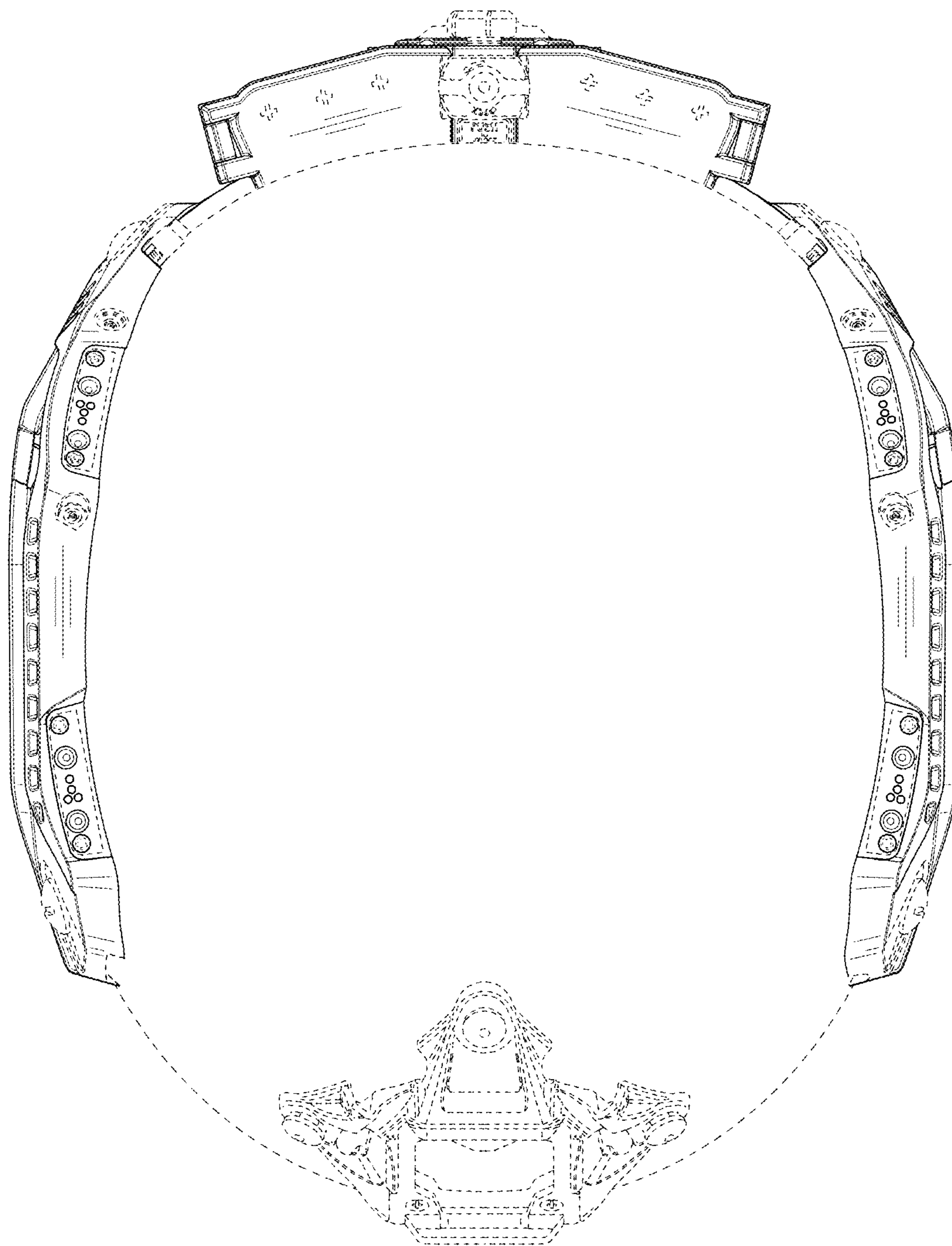


FIG. 7

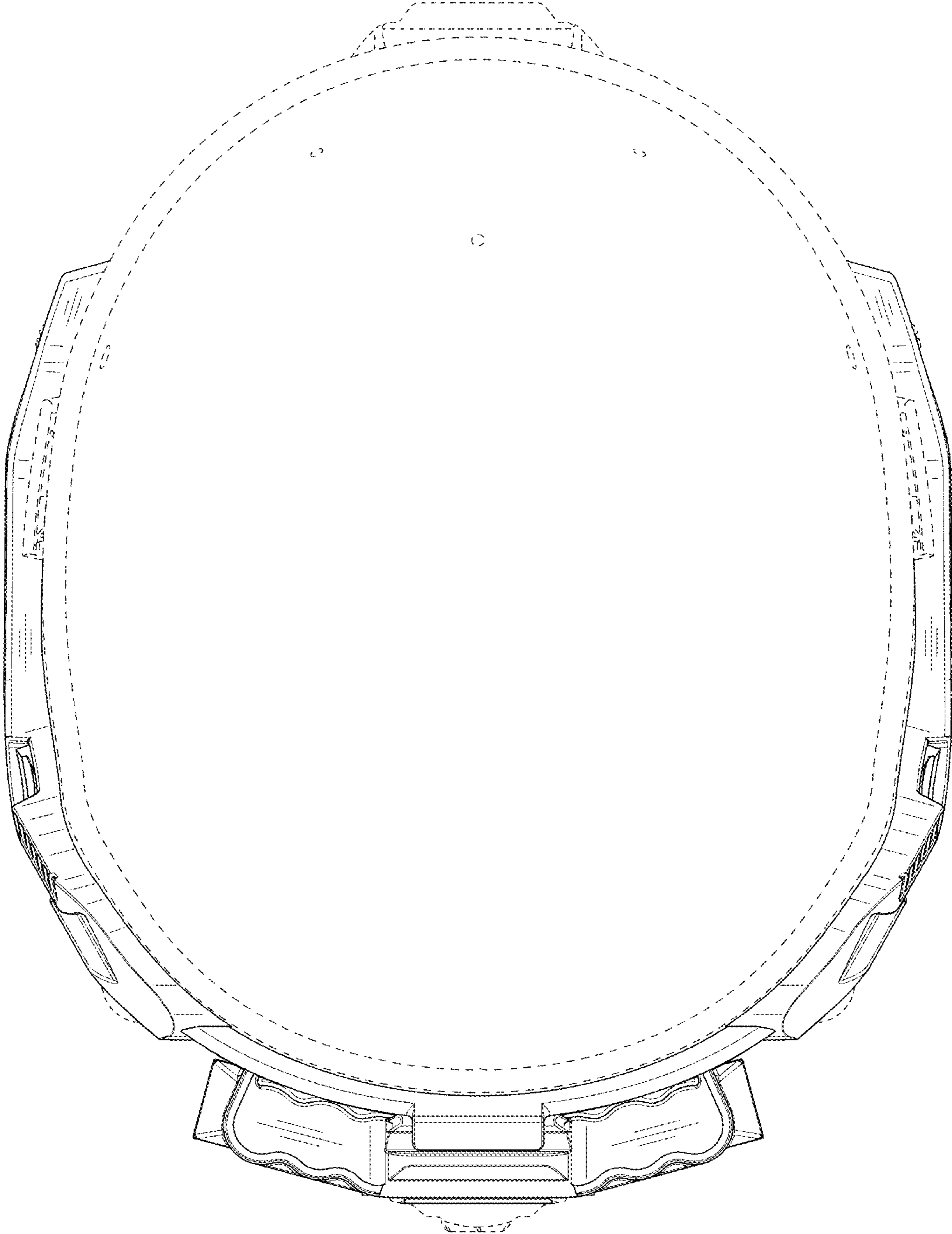


FIG. 8