



US00D900404S

(12) **United States Design Patent**  
**Kulik**

(10) **Patent No.:** **US D900,404 S**

(45) **Date of Patent:** **\*\* Oct. 27, 2020**

- (54) **TAKEUP MODULE HOUSING**
- (71) Applicant: **Mark Kulik**, Hayward, CA (US)
- (72) Inventor: **Mark Kulik**, Hayward, CA (US)
- (\*\*) Term: **15 Years**
- (21) Appl. No.: **29/653,746**
- (22) Filed: **Jun. 18, 2018**

- 6,415,452 B1 \* 7/2002 Watanabe ..... A61F 9/025  
2/438
  - 6,416,177 B1 \* 7/2002 Gibson ..... A61F 9/02  
2/438
  - 8,261,375 B1 \* 9/2012 Reaux ..... A41D 13/1184  
128/201.15
  - D687,480 S \* 8/2013 Castro ..... D16/312
- (Continued)

*Primary Examiner* — Ramzi S Almatrahi  
(74) *Attorney, Agent, or Firm* — Gerald R. Prettyman

(57) **CLAIM**

The ornamental design for a takeup module housing, as shown and described.

**DESCRIPTION**

This application is related to U.S. Utility application Ser. No. 14/543,794, now U.S. Pat. No. 9,708,154, issued Jul. 18, 2017 and titled "OFF-ROAD ROLLING FILM VISION SYSTEM". This application is related to Design patent applications Ser. No. 29/509,397 titled "FILM SPOOL;" Ser. No. 29/509,401 titled "ROLLOUT MODULE HOUSING;" and Ser. No. 29/509,403 titled "CONTROLLER HOUSING;" all filed Nov. 17, 2014; and to U.S. Utility application Ser. No. 14/967,150 filed Dec. 11, 2015, and to U.S. Utility application Ser. No. 15/650,864 filed Jul. 15, 2017, and to PCT/US2015/56987 filed Oct. 22, 2015. All applications have the same inventor and owner.

FIG. 1 is a top view of a takeup module housing, showing my new design;  
FIG. 2 is a bottom view thereof;  
FIG. 3 is a back view thereof;  
FIG. 4 is a front view thereof;  
FIG. 5 is left side view thereof;  
FIG. 6 is right side view thereof; and,  
FIG. 7 is back perspective view thereof.  
The broken lines depict portions of a takeup module housing in which the design is embodied that form no part of the claimed design.

**1 Claim, 7 Drawing Sheets**

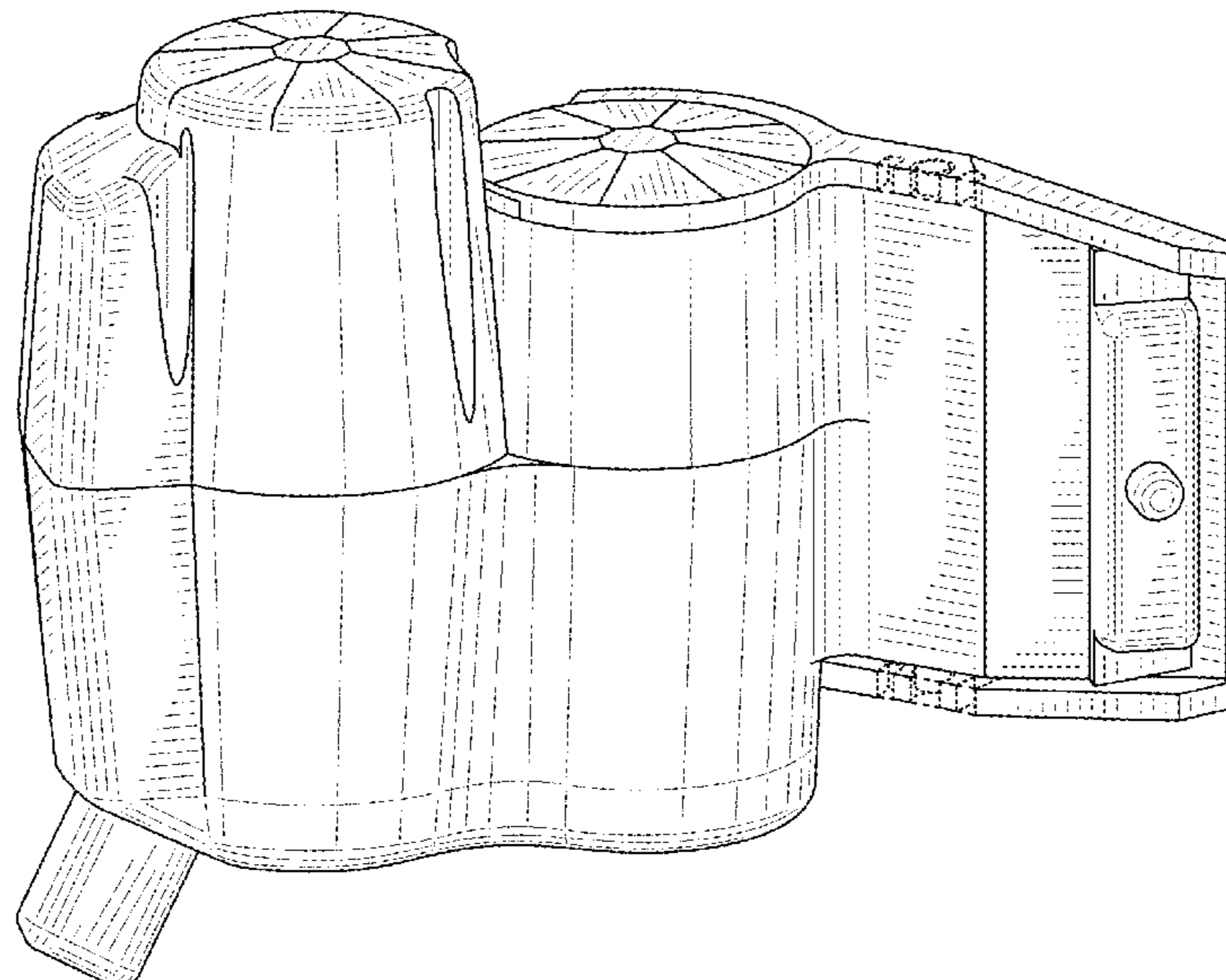
**Related U.S. Application Data**

- (63) Continuation-in-part of application No. 29/509,398, filed on Nov. 17, 2014, now abandoned.
- (51) **LOC (12) Cl.** ..... **29-02**
- (52) **U.S. Cl.**  
USPC ..... **D29/103; D29/107**
- (58) **Field of Classification Search**  
USPC ..... D16/101, 300–342; D15/1;  
D29/103–111; 2/438, 432; 396/311, 387  
CPC ..... G03B 17/02; G03B 17/24; G03B 17/30;  
A42B 3/04; A42B 3/0406; A42B 3/042;  
A42B 3/185; A42B 3/30; A42B 3/18;  
A42B 3/24; A61F 9/025; A61F 9/029  
See application file for complete search history.

(56) **References Cited**

**U.S. PATENT DOCUMENTS**

- 4,428,081 A \* 1/1984 Smith ..... A61F 9/025  
2/422
- 4,748,697 A \* 6/1988 Hodnett ..... A61F 9/025  
2/438
- D324,745 S \* 3/1992 Flores ..... D16/312
- 5,412,446 A \* 5/1995 Rydelek ..... G03B 19/04  
242/332.7
- 6,047,412 A \* 4/2000 Wilson, II ..... A61F 9/025  
2/422
- 6,073,296 A \* 6/2000 Bouguerfa ..... A42B 3/26  
15/102



(56)

**References Cited**

U.S. PATENT DOCUMENTS

D691,652 S \* 10/2013 Castro ..... D16/311  
2012/0023647 A1 \* 2/2012 Park ..... A61F 9/025  
2/438

\* cited by examiner

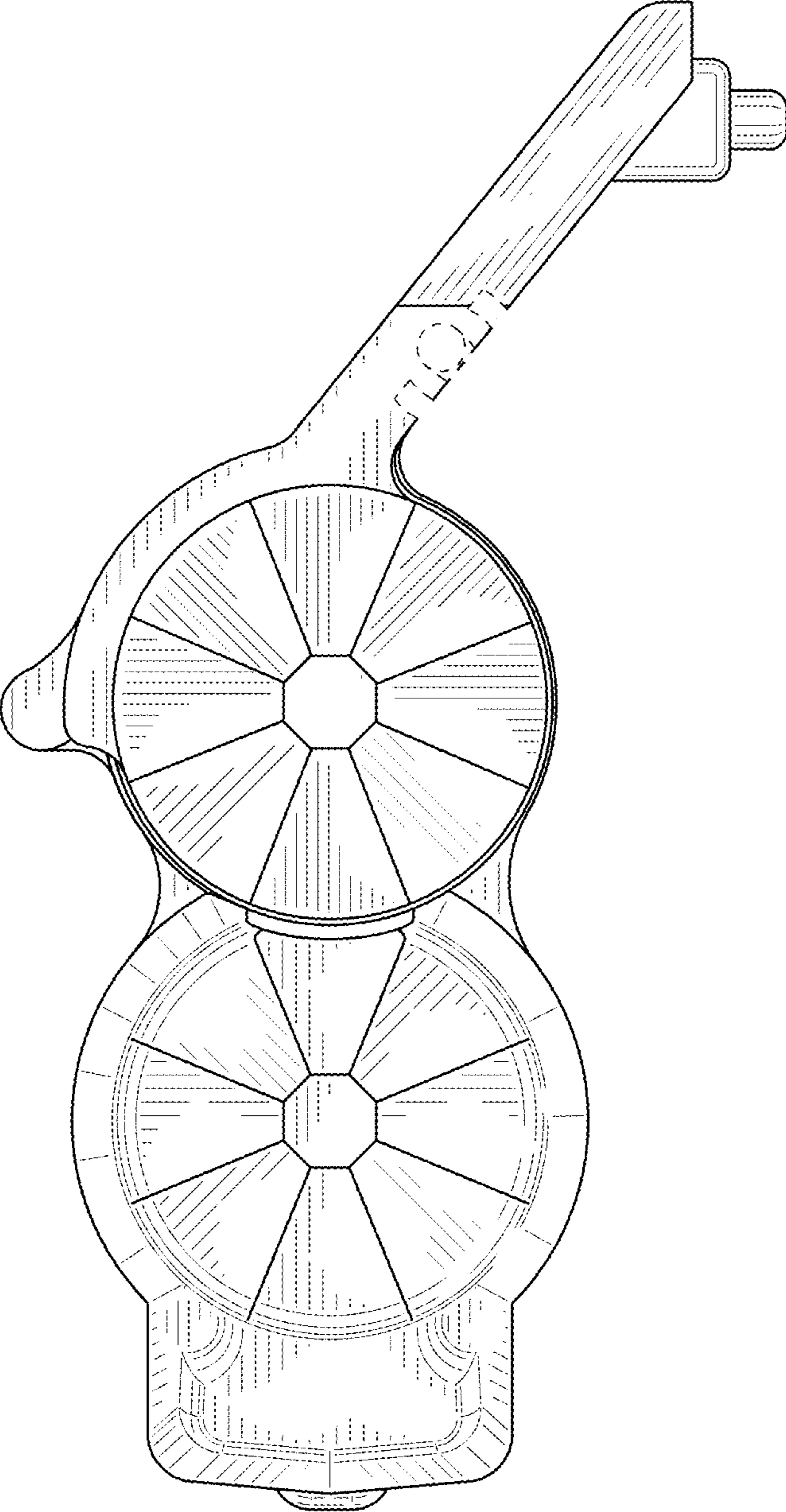


FIG. 1

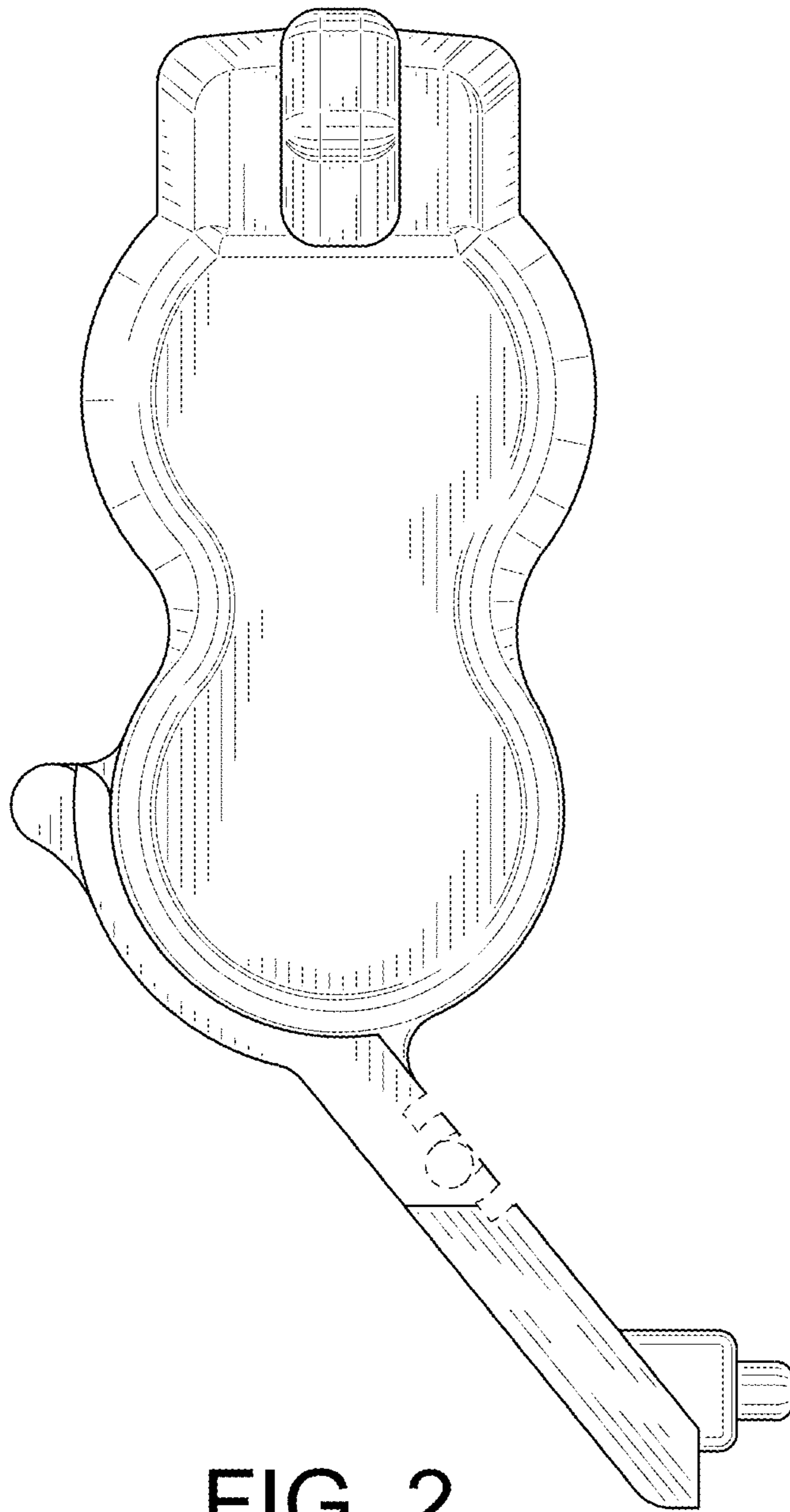


FIG. 2

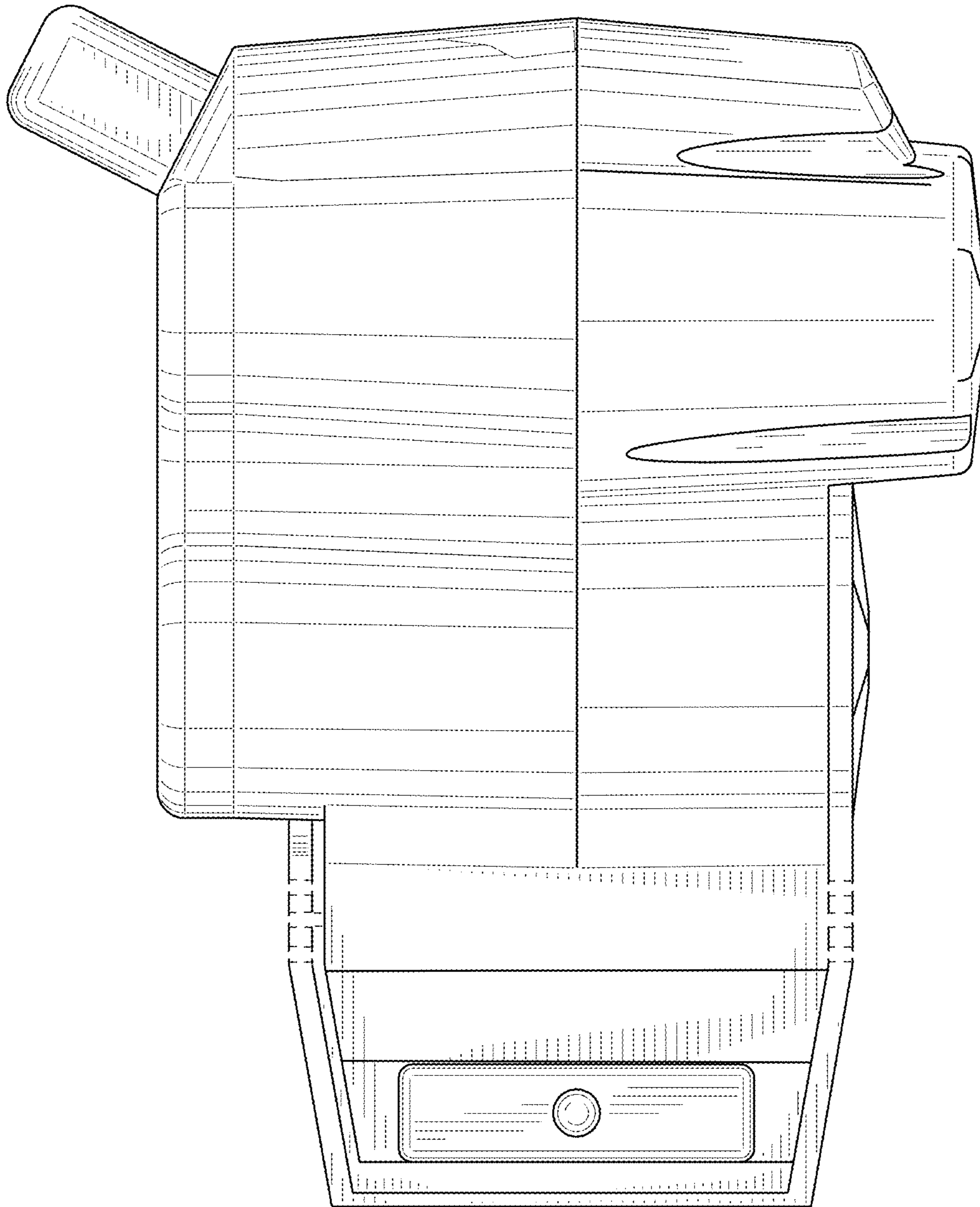


FIG. 3

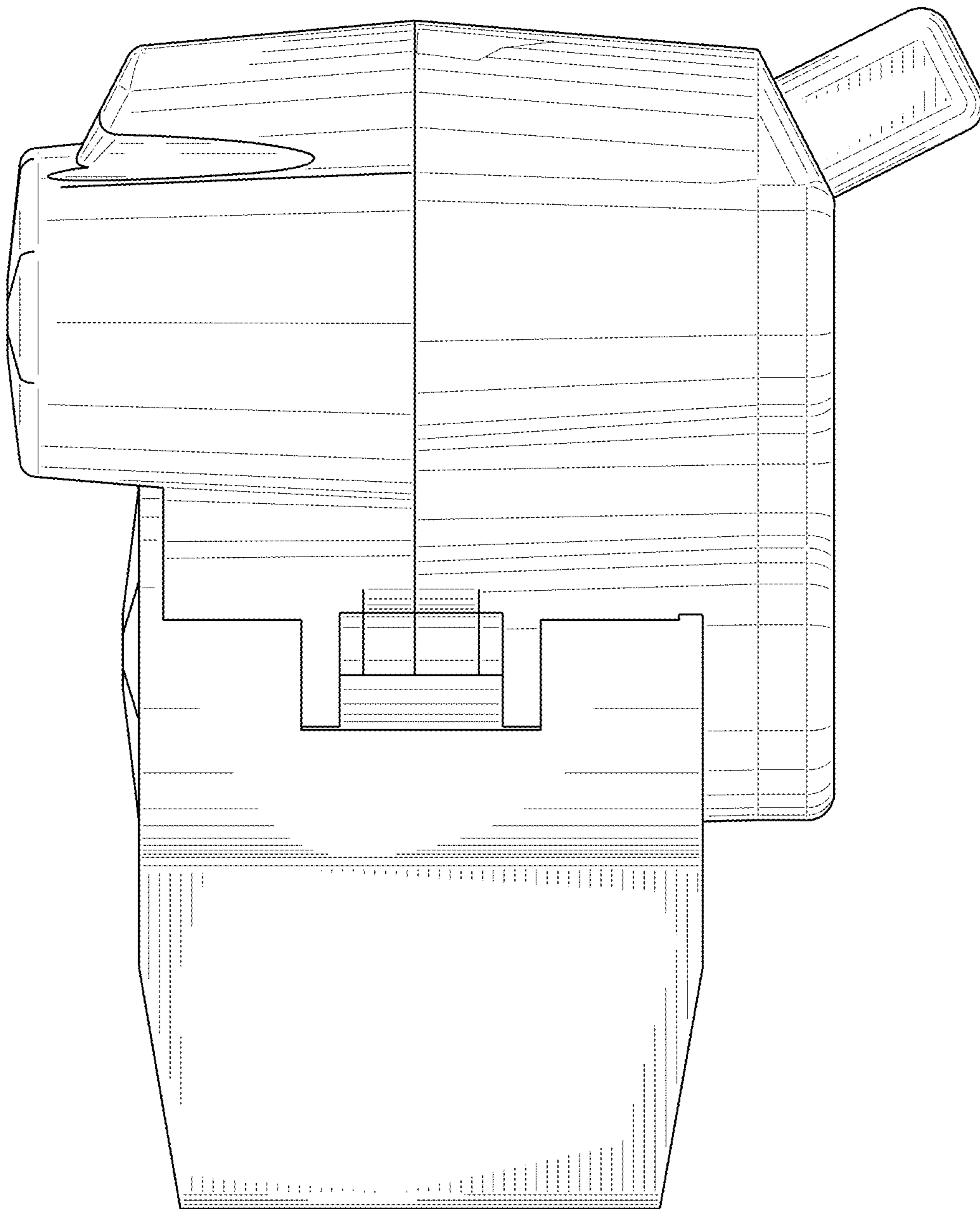


FIG. 4

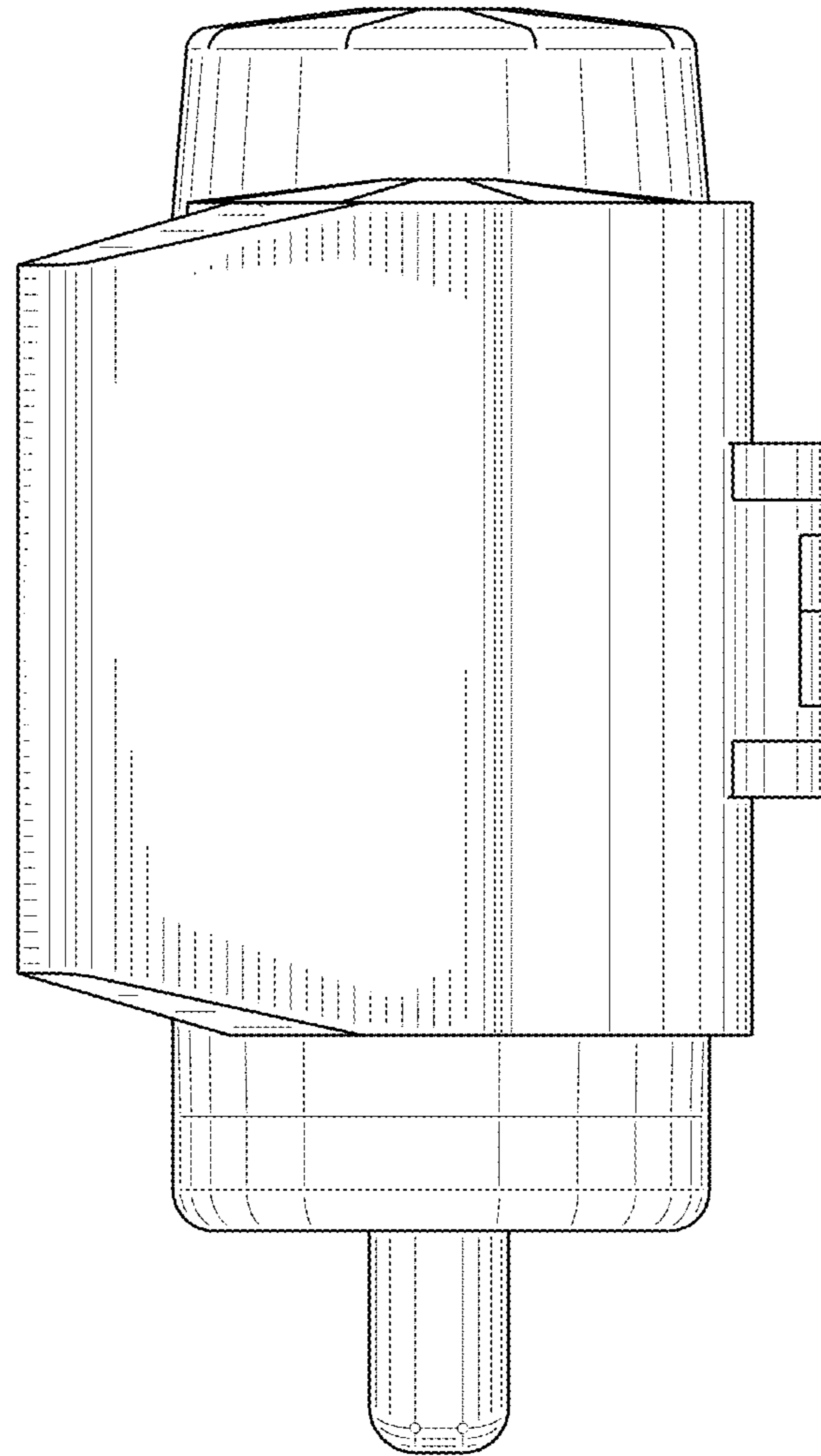


FIG. 5

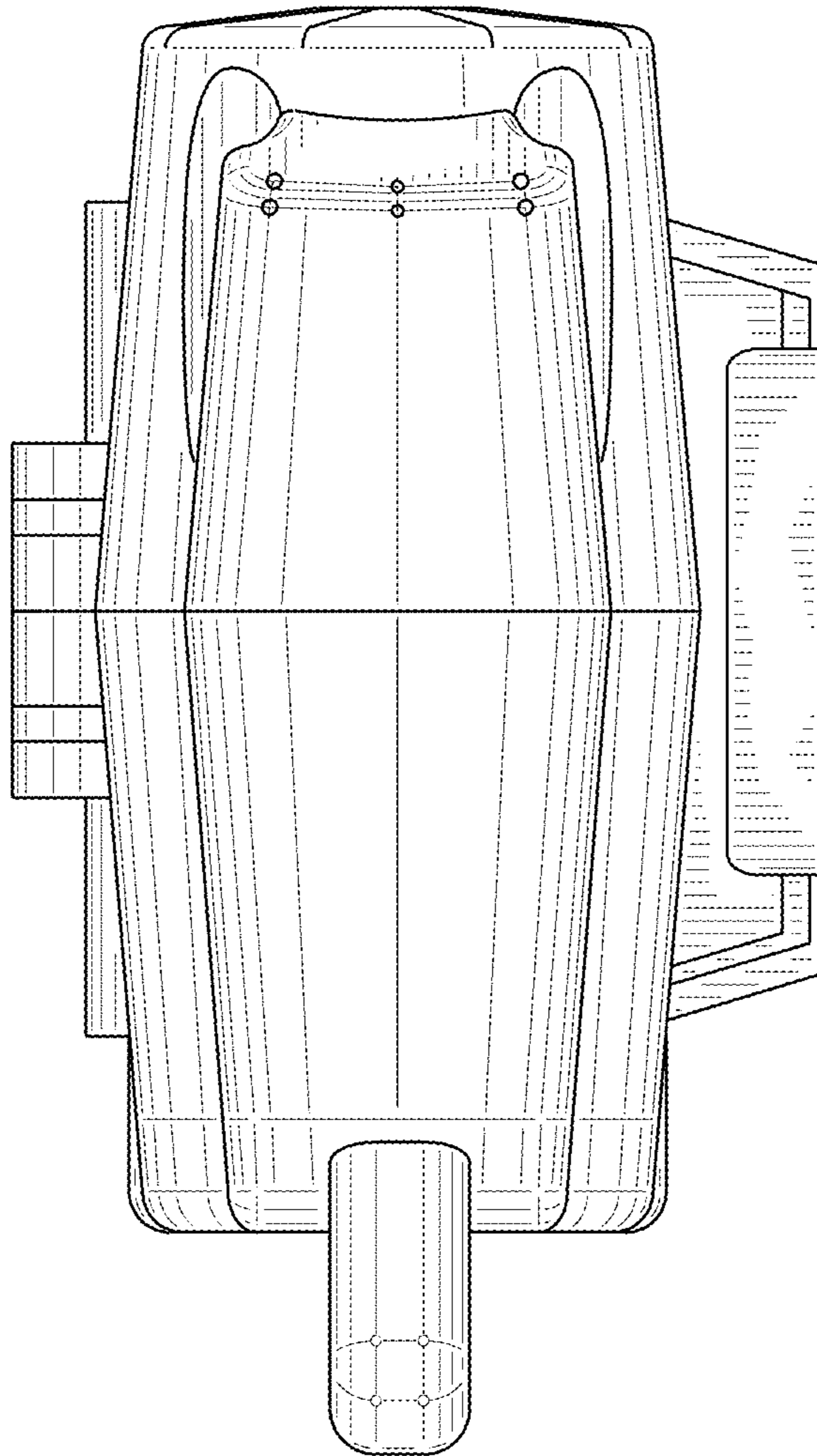


FIG. 6



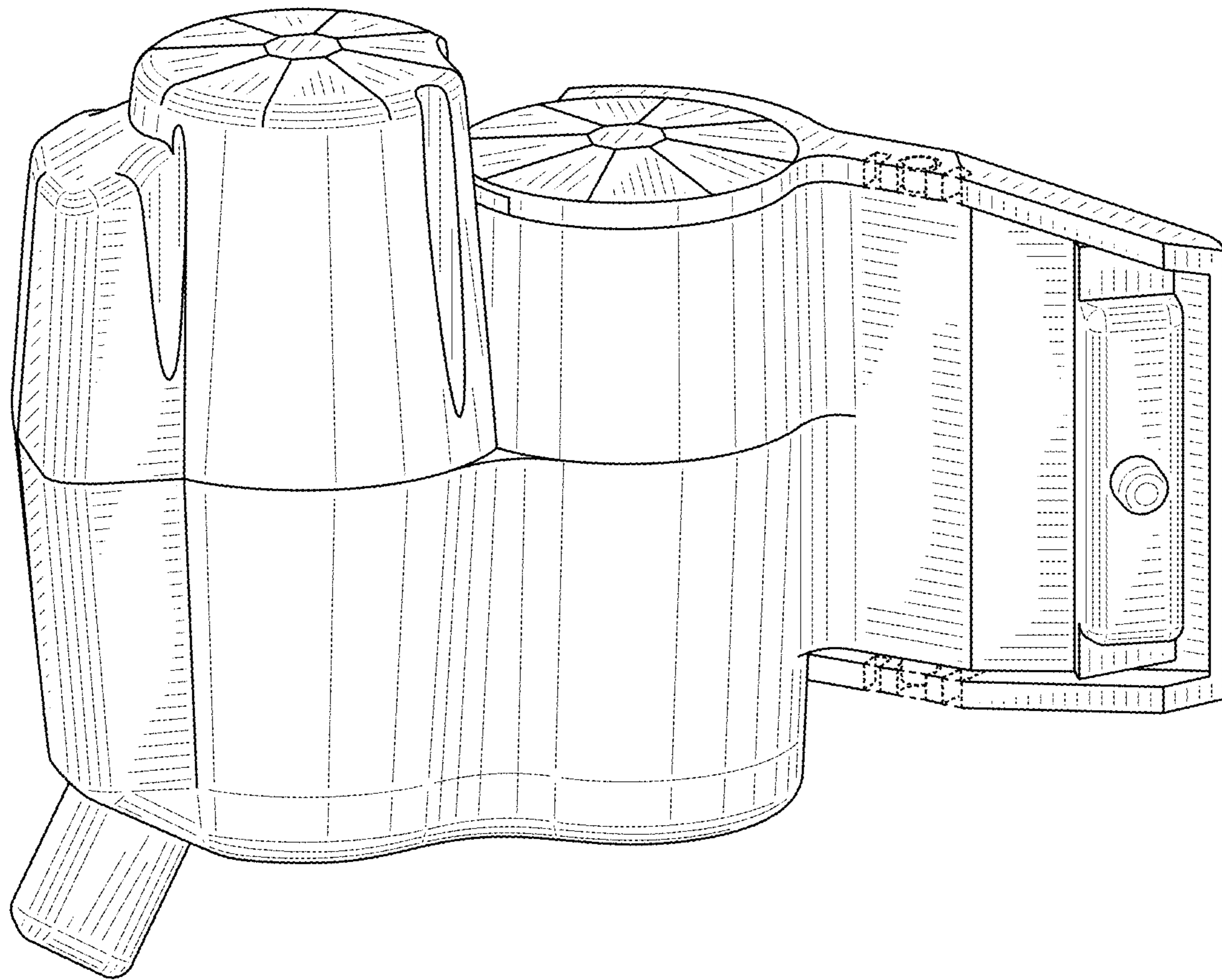


FIG. 7