



US00D900399S

(12) **United States Design Patent**
Wu

(10) **Patent No.:** **US D900,399 S**
(45) **Date of Patent:** **** Oct. 27, 2020**

- (54) **PROTECTIVE HELMET**
- (71) Applicant: **Tecmen Electronics Co., Ltd.**, Nanjing, Jiangsu (CN)
- (72) Inventor: **Ziqian Wu**, Nanjing (CN)
- (73) Assignee: **Tecmen Electronics Co., Ltd.**, Nanjing (CN)

- D584,010 S 12/2008 Fernandes et al.
- D587,858 S 3/2009 Brace et al.
- D590,547 S 4/2009 Brace et al.
- D590,548 S 4/2009 Johnson et al.
- D597,260 S 7/2009 Brace et al.
- D597,710 S 8/2009 Brace et al.
- D612,544 S 3/2010 Brace et al.
- 7,752,682 B2* 7/2010 VanDerWoude ... A41D 13/0025
2/410

(**) Term: **15 Years**

(21) Appl. No.: **29/664,634**

(22) Filed: **Sep. 26, 2018**

(30) **Foreign Application Priority Data**

Apr. 4, 2018 (CN) 2018 3 0134864

(51) **LOC (12) Cl.** **02-03**

(52) **U.S. Cl.**
USPC **D29/102**

(58) **Field of Classification Search**
USPC D29/102-107, 122
CPC .. A42B 3/00; A42B 3/003; A42B 3/04; A42B 3/0406; A42B 3/044; A42B 3/0466; A42B 3/0493; A42B 3/06; A42B 3/061; A42B 3/062; A42B 3/064; A42B 3/068; A42B 3/125; A42B 3/145; A42B 3/28; A42B 3/322; A42B 3/225; A42B 3/286
See application file for complete search history.

(56) **References Cited**

U.S. PATENT DOCUMENTS

- 3,797,041 A * 3/1974 Raschke A42B 3/225
2/8.1
- D326,001 S * 5/1992 Chiarella D29/102
- D383,875 S * 9/1997 Morgan 224/148.2
- 6,481,019 B2* 11/2002 Diaz A41D 13/11
128/201.19
- D567,366 S 4/2008 Betz et al.
- D574,486 S 8/2008 Betz et al.

(Continued)

OTHER PUBLICATIONS

Examination Report in connection with Canadian Application No. CA 183749, dated Jun. 25, 2019, 1 page.

Primary Examiner — Kimberly Barnes

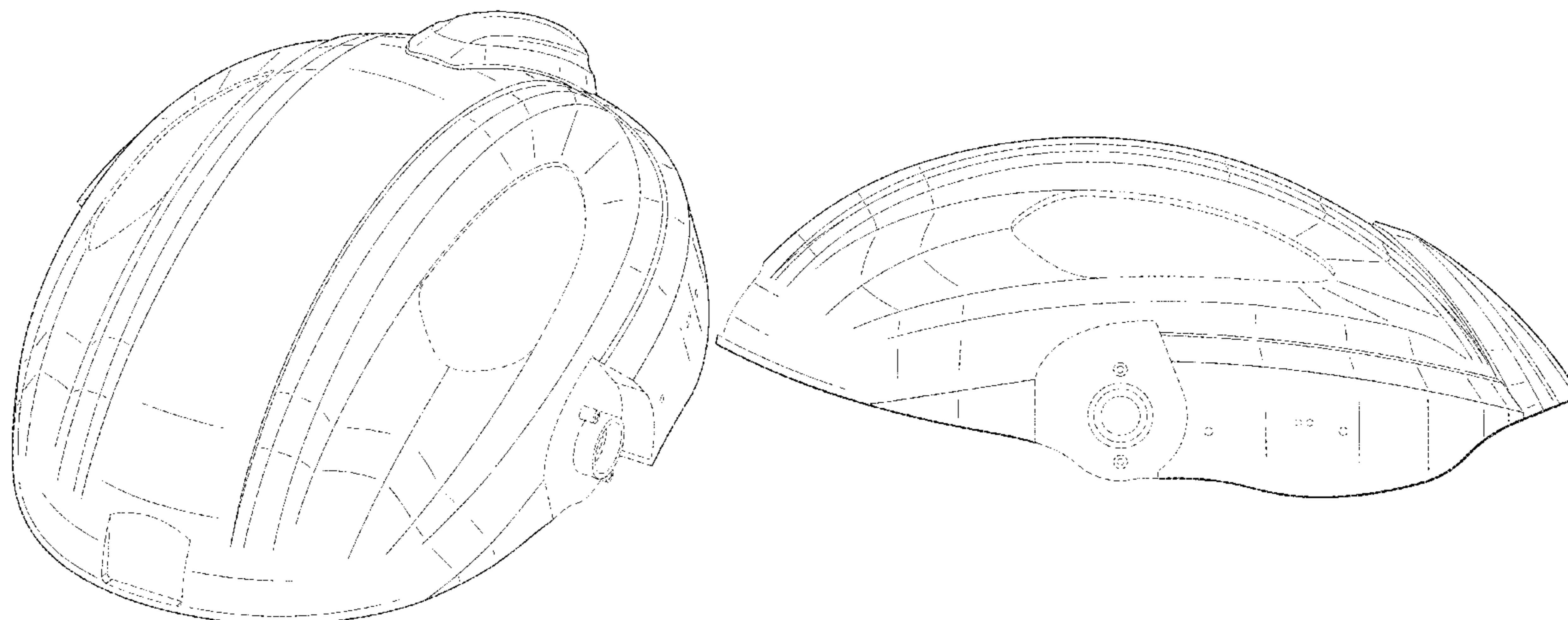
(57) **CLAIM**

The ornamental design for a protective helmet, as shown and described.

DESCRIPTION

FIG. 1 is a front perspective view of a protective helmet showing my new design;
 FIG. 2 is a front elevation view of the protective helmet of FIG. 1;
 FIG. 3 is a rear elevation view of the protective helmet of FIG. 1;
 FIG. 4 is a right side elevation view of the protective helmet of FIG. 1;
 FIG. 5 is a left side elevation view of the protective helmet of FIG. 1;
 FIG. 6 is a top plan view of the protective helmet of FIG. 1;
 and,
 FIG. 7 is a bottom plan view of the protective helmet of FIG. 1.
 The broken lines shown in the drawings represent portions of the protective helmet that form no part of the claimed design.

1 Claim, 6 Drawing Sheets



(56)

References Cited

U.S. PATENT DOCUMENTS

7,937,775	B2 *	5/2011	Manzella, Jr.	A41D 13/0025 128/201.22
7,958,572	B2 *	6/2011	Loury	A42B 3/322 2/410
8,056,152	B2	11/2011	Brace	
8,070,308	B1 *	12/2011	Lo	A42B 3/044 362/105
D660,522	S	5/2012	Juhlin et al.	
8,534,279	B2	9/2013	Brace et al.	
D763,513	S *	8/2016	Starck	D29/102
D774,703	S *	12/2016	Brose	D29/122
D802,117	S *	11/2017	Whitwood	D24/110.3
9,848,667	B2	12/2017	Brace et al.	
9,861,529	B2	1/2018	Seo	
D809,713	S *	2/2018	Ciaravino	D29/102
D812,314	S *	3/2018	Ciaravio	D29/122
D840,109	S *	2/2019	Chae	D29/102
10,349,698	B2 *	7/2019	McCashin	A42B 3/08
D857,999	S *	8/2019	Hanner	D29/110
D860,545	S *	9/2019	Gotti	D29/102
D881,380	S *	4/2020	Cartwright	D24/110.3
2016/0175624	A1 *	6/2016	Balke	A42B 3/286 128/847

* cited by examiner

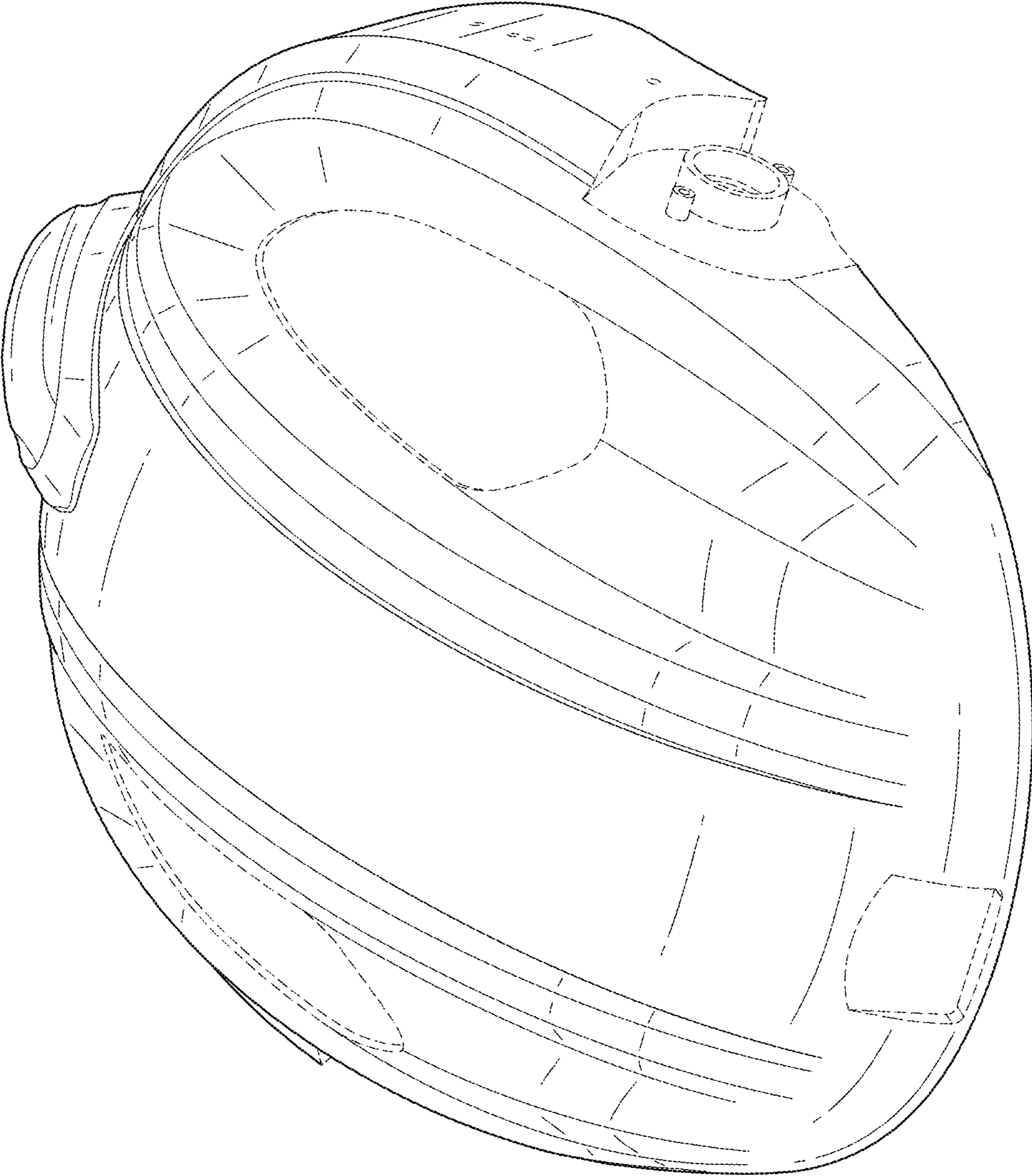


FIG. 1

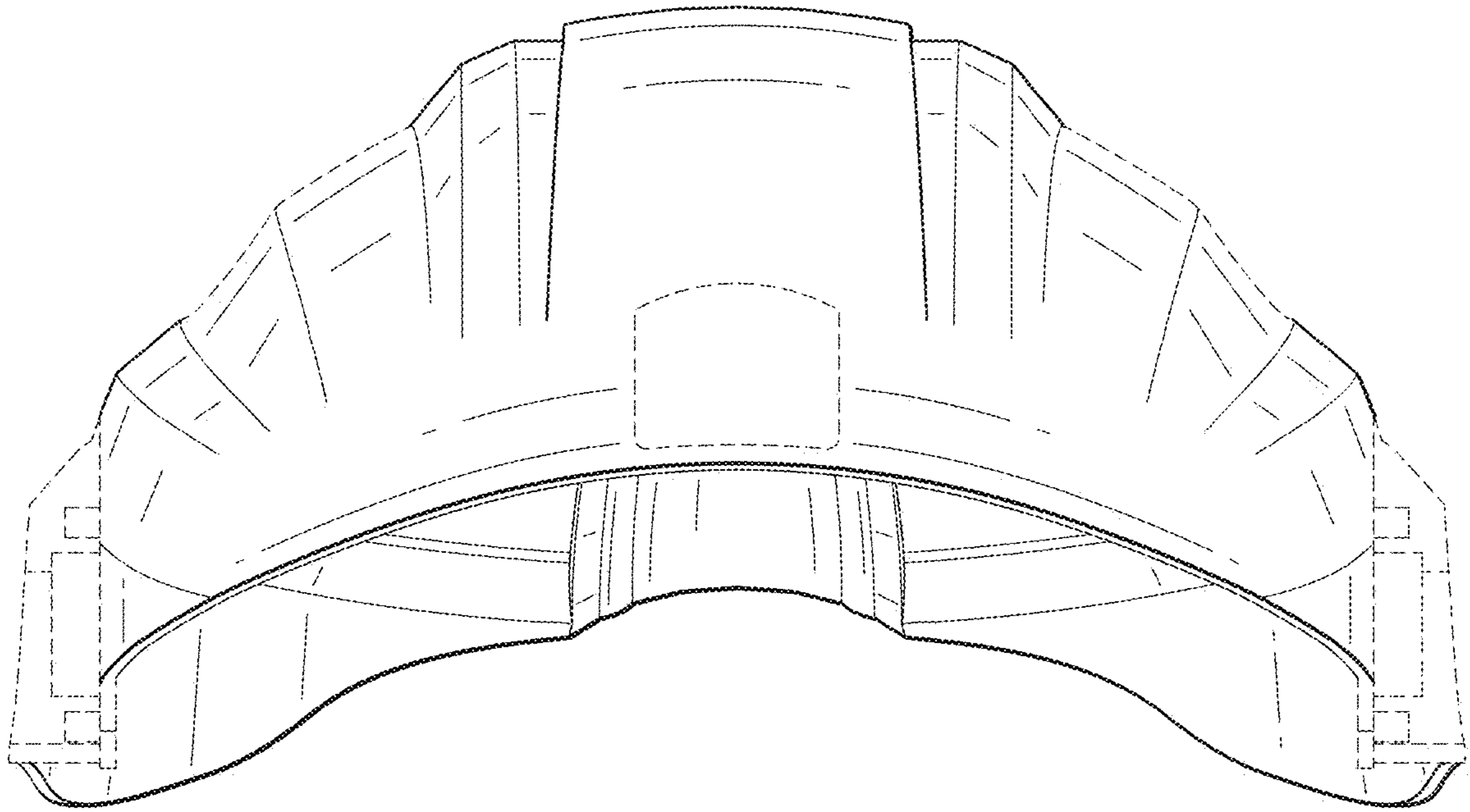


FIG. 2

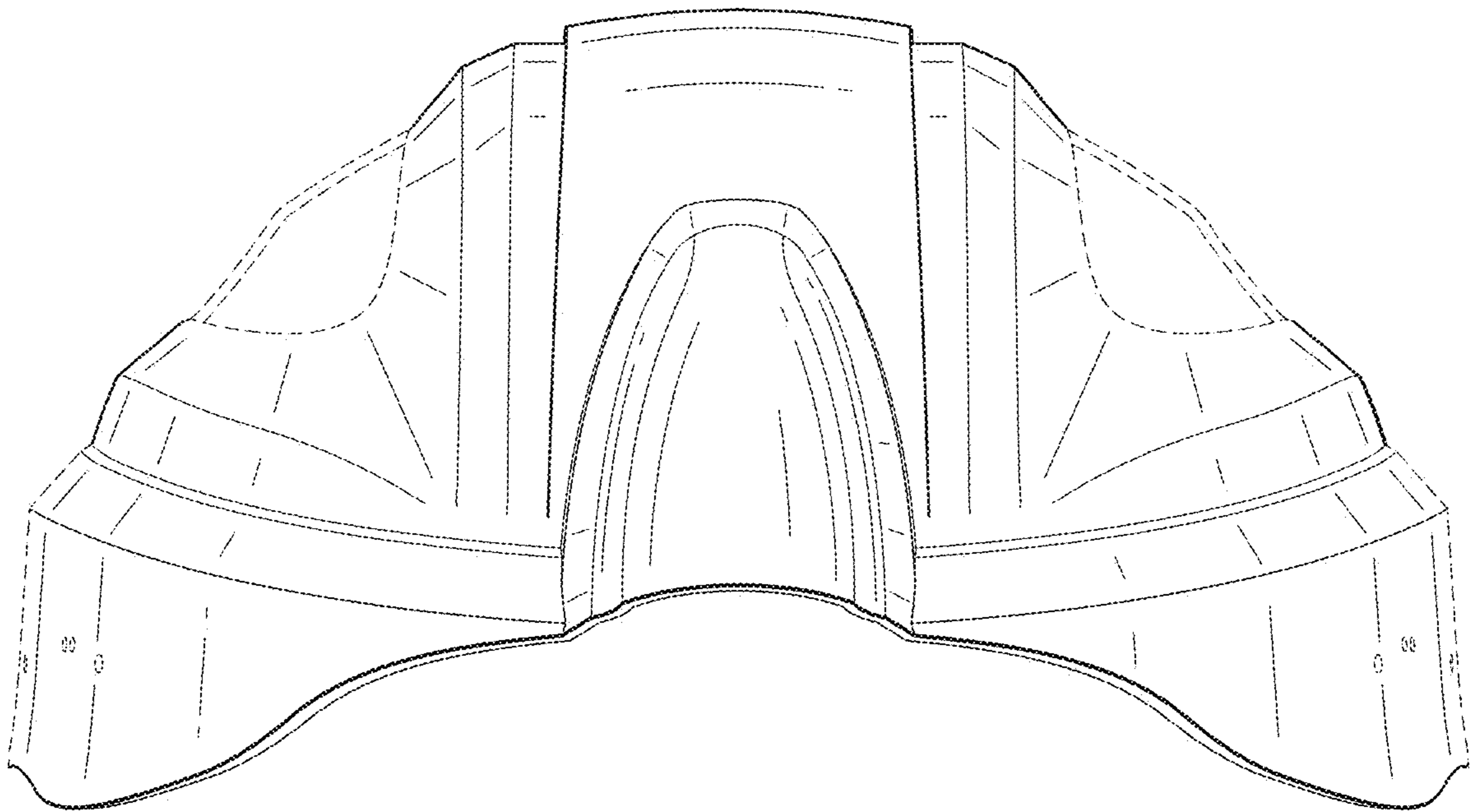


FIG. 3

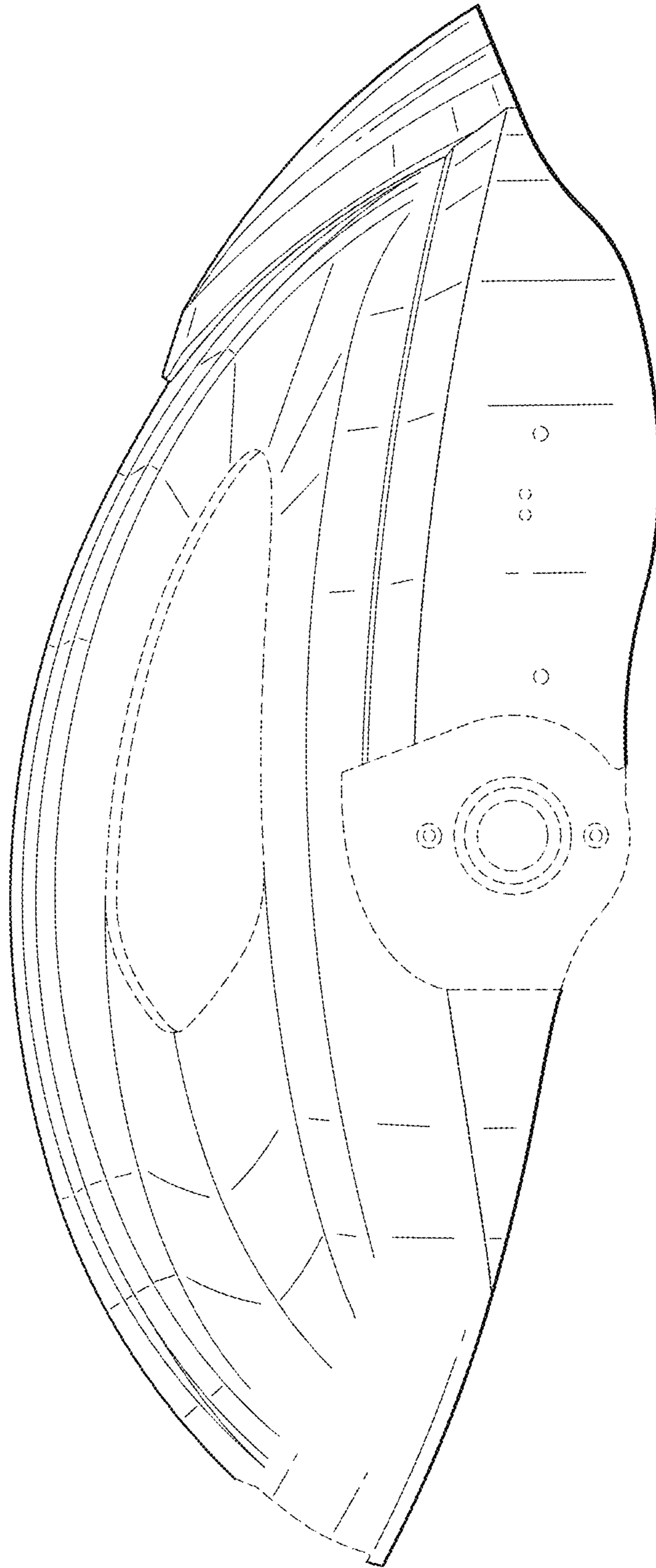


FIG. 4

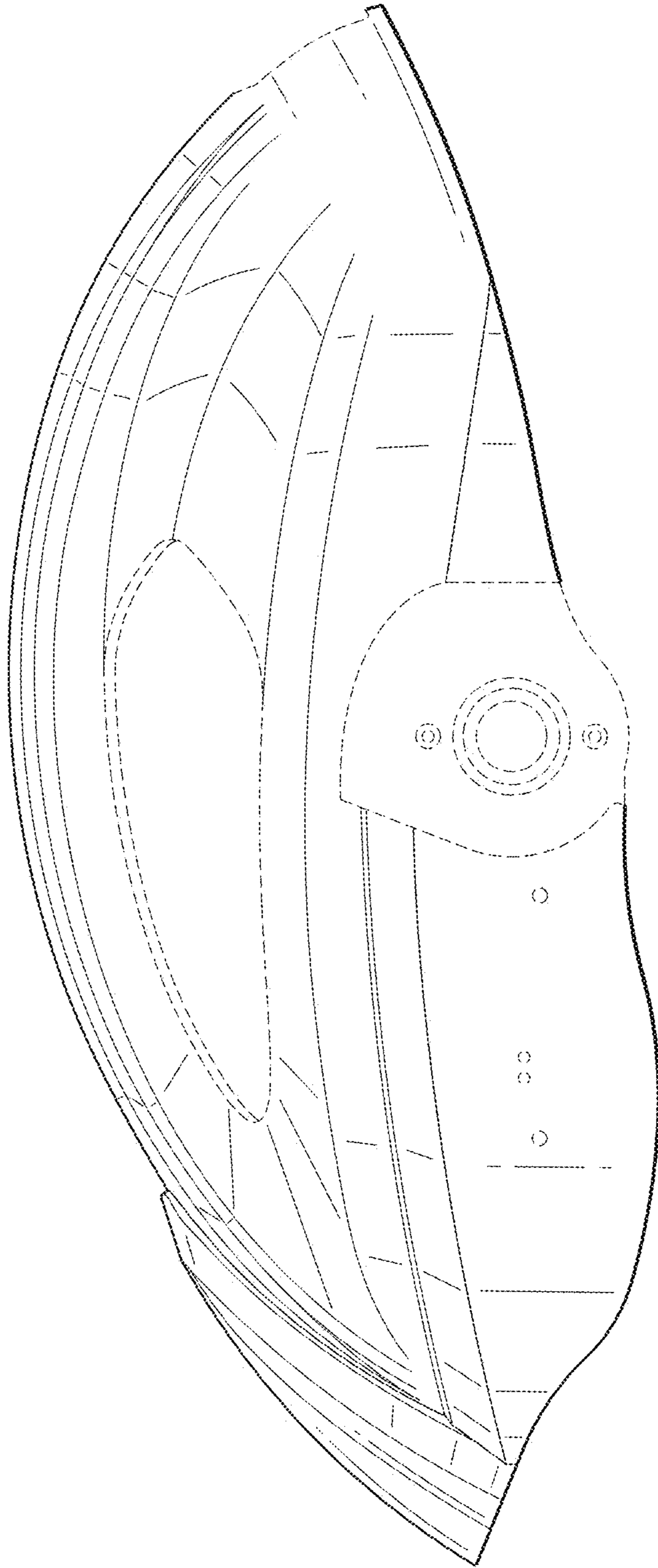


FIG. 5

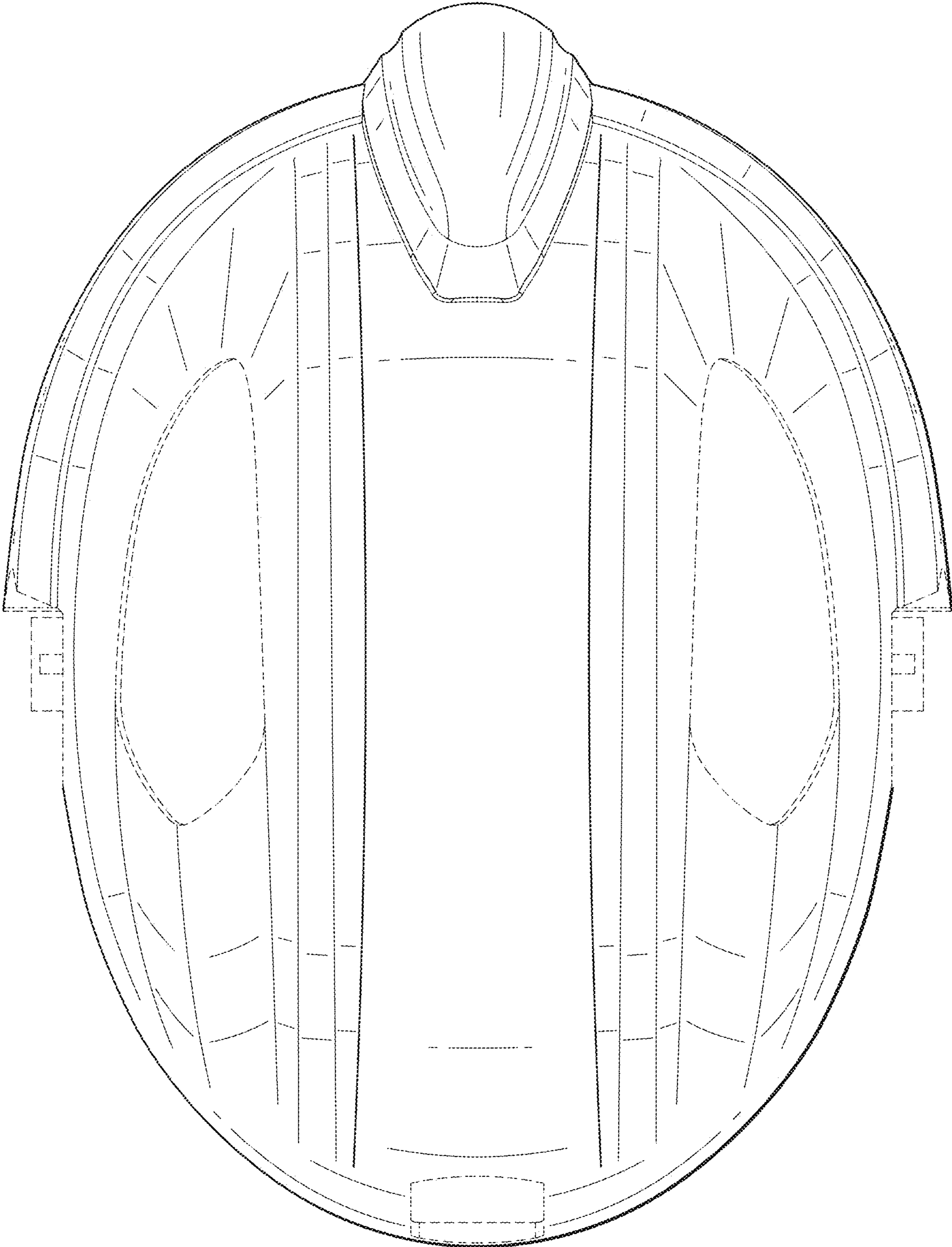


FIG. 6

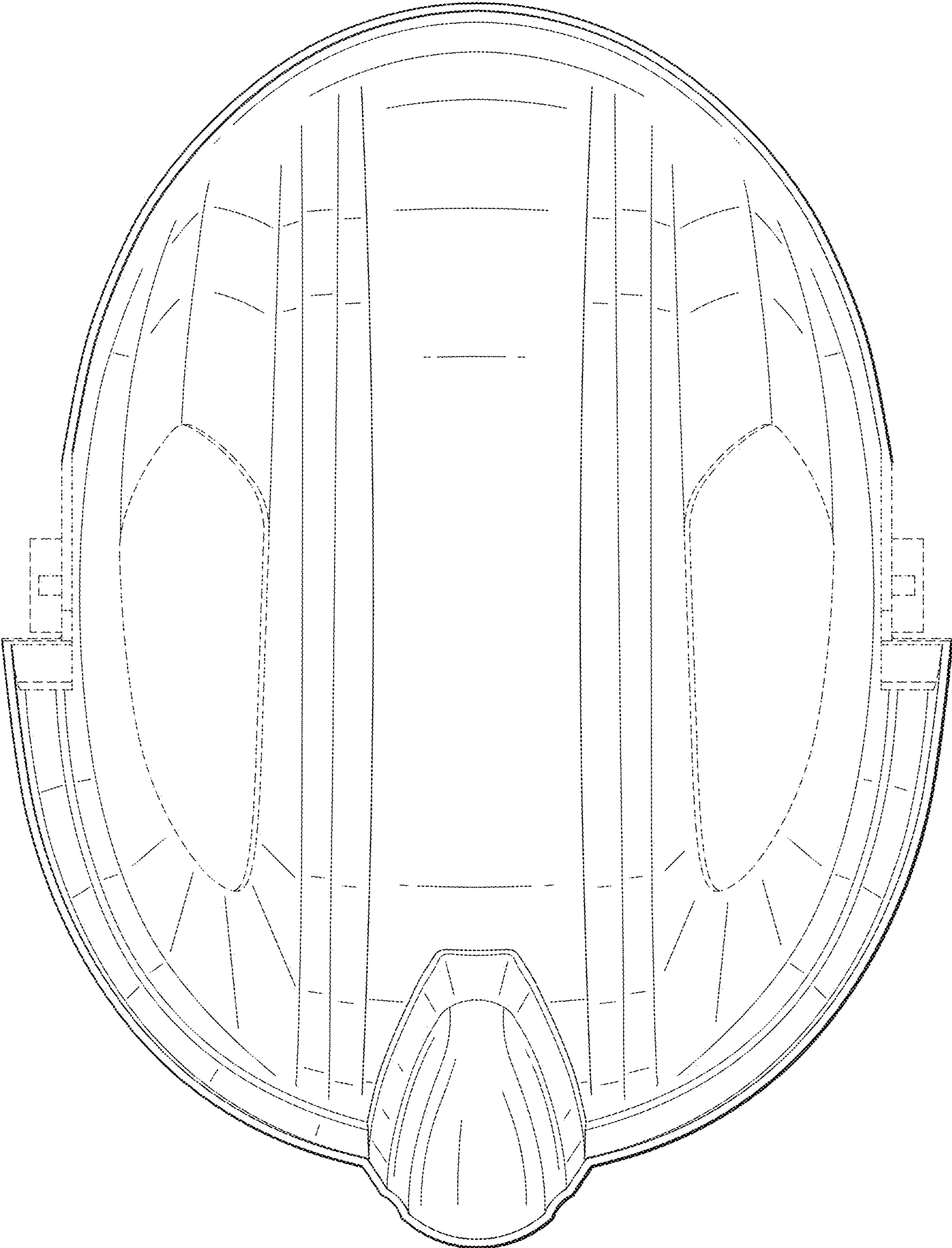


FIG. 7