



US00D900397S

(12) **United States Design Patent**
Ainslie

(10) **Patent No.:** **US D900,397 S**

(45) **Date of Patent:** **** Oct. 27, 2020**

(54) **CARRYING AID**

(71) Applicant: **Daniel Thomas Ainslie**, Broadstairs
(GB)

(72) Inventor: **Daniel Thomas Ainslie**, Broadstairs
(GB)

(**) Term: **15 Years**

(21) Appl. No.: **29/637,523**

(22) Filed: **Feb. 20, 2018**

(30) **Foreign Application Priority Data**

Aug. 17, 2017 (EM) 004151710

(51) **LOC (12) Cl.** **09-03**

(52) **U.S. Cl.**
USPC **D29/101.1**

(58) **Field of Classification Search**
USPC D29/100, 101.1–101.4, 122, 124;
D2/626, 628, 629; D3/215, 218, 219,
D3/221, 226, 322, 327; D24/190;
359/362, 519; 182/3, 4, 5, 6, 9, 133;
2/300, 310, 311; D10/111; 224/259,
224/576, 603, 606, 623, 627, 647;
D21/683; D30/152; 119/770; 297/485
CPC A45F 5/00
See application file for complete search history.

(56) **References Cited**

U.S. PATENT DOCUMENTS

5,069,495 A * 12/1991 Mears B65G 7/12
294/15
5,588,940 A * 12/1996 Price A63B 21/065
224/259

6,016,944 A * 1/2000 Girbert A45F 3/14
224/250
6,155,546 A * 12/2000 Whitener E04H 17/268
119/770
D462,497 S * 9/2002 Talamantes D29/101.1
8,251,421 B1 * 8/2012 Homan A45F 5/10
294/142
D734,706 S * 7/2015 Gleaton B60R 7/06
D12/415
9,222,751 B2 * 12/2015 Glock F41C 33/045
D772,577 S * 11/2016 Muchin D3/327
9,573,016 B2 * 2/2017 Haddad A63B 21/4043

* cited by examiner

Primary Examiner — Marissa J Cash

(74) *Attorney, Agent, or Firm* — King & Schickli, PLLC

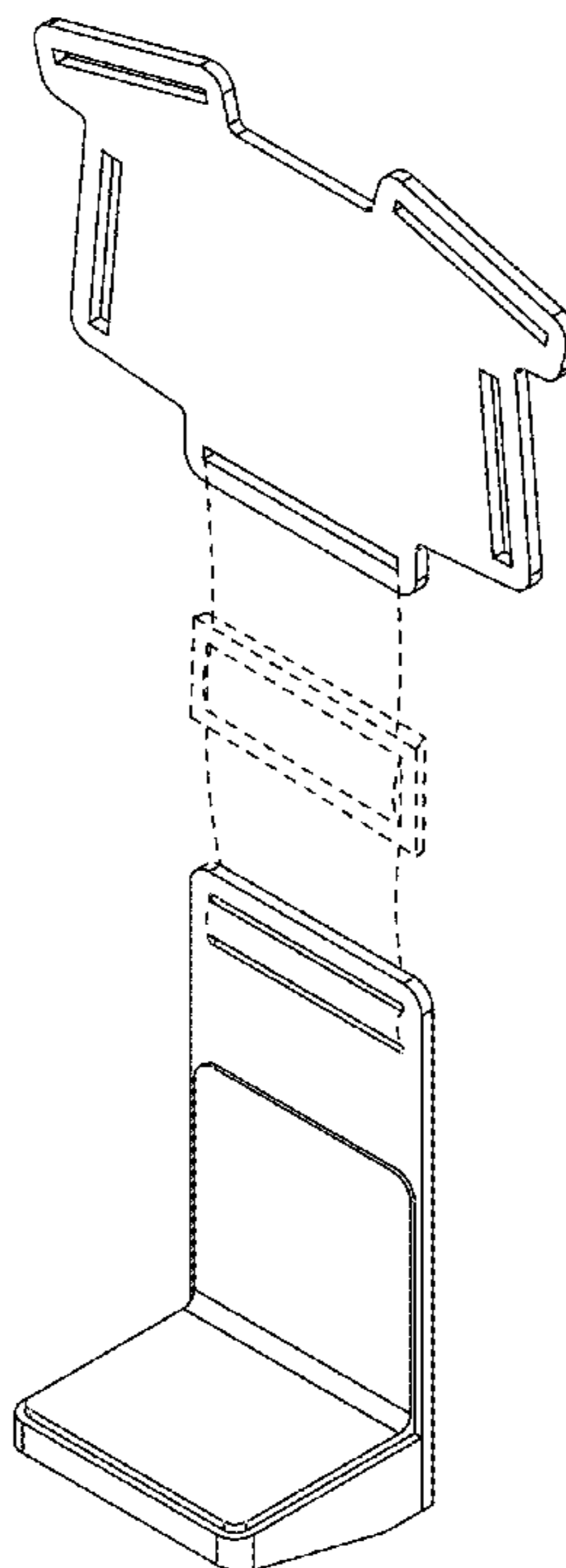
(57) **CLAIM**

The ornamental design for carrying aid, as shown and described.

DESCRIPTION

FIG. 1 is a front perspective view of my design;
FIG. 2 is a front view of the design of FIG. 1 thereof;
FIG. 3 is a rear view of the design of FIG. 1 thereof;
FIG. 4 is a left side view of the design of FIG. 1 thereof;
FIG. 5 is a right side view of the design of FIG. 1 thereof;
and,
FIG. 6 is a top view of the design of FIG. 1 thereof.
The broken line depictions represent unclaimed subject matter.

1 Claim, 6 Drawing Sheets



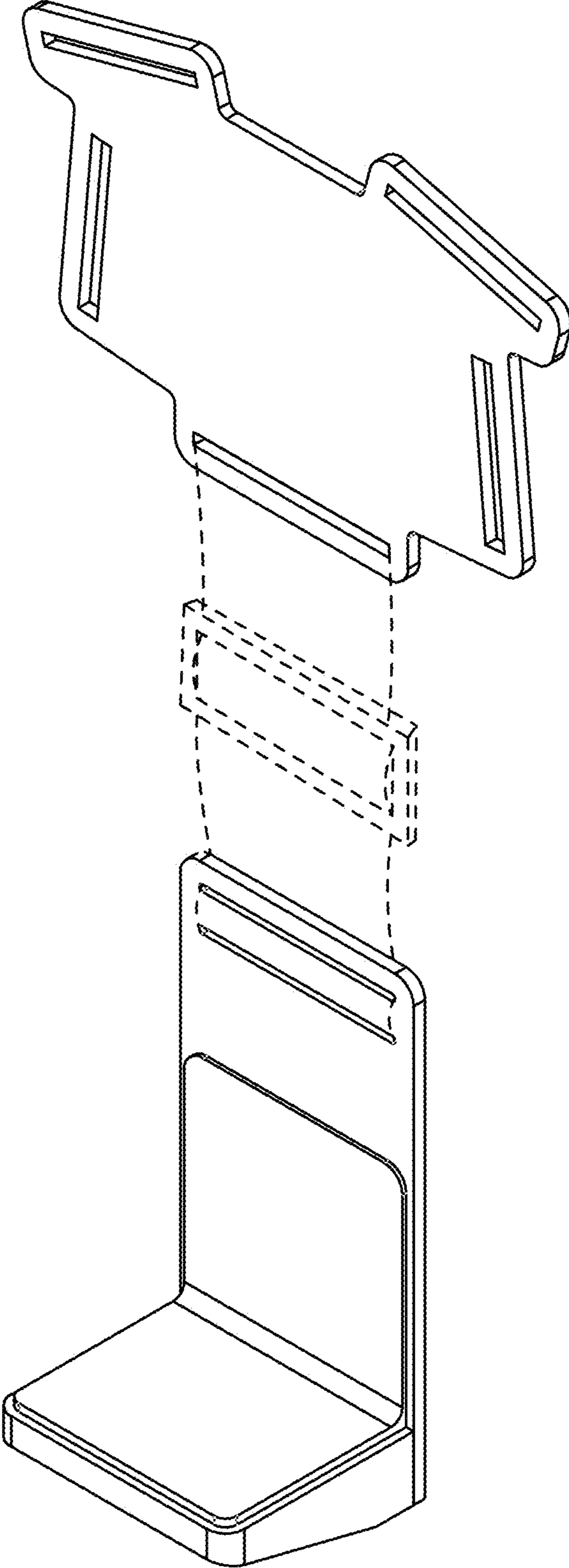


FIG. 1

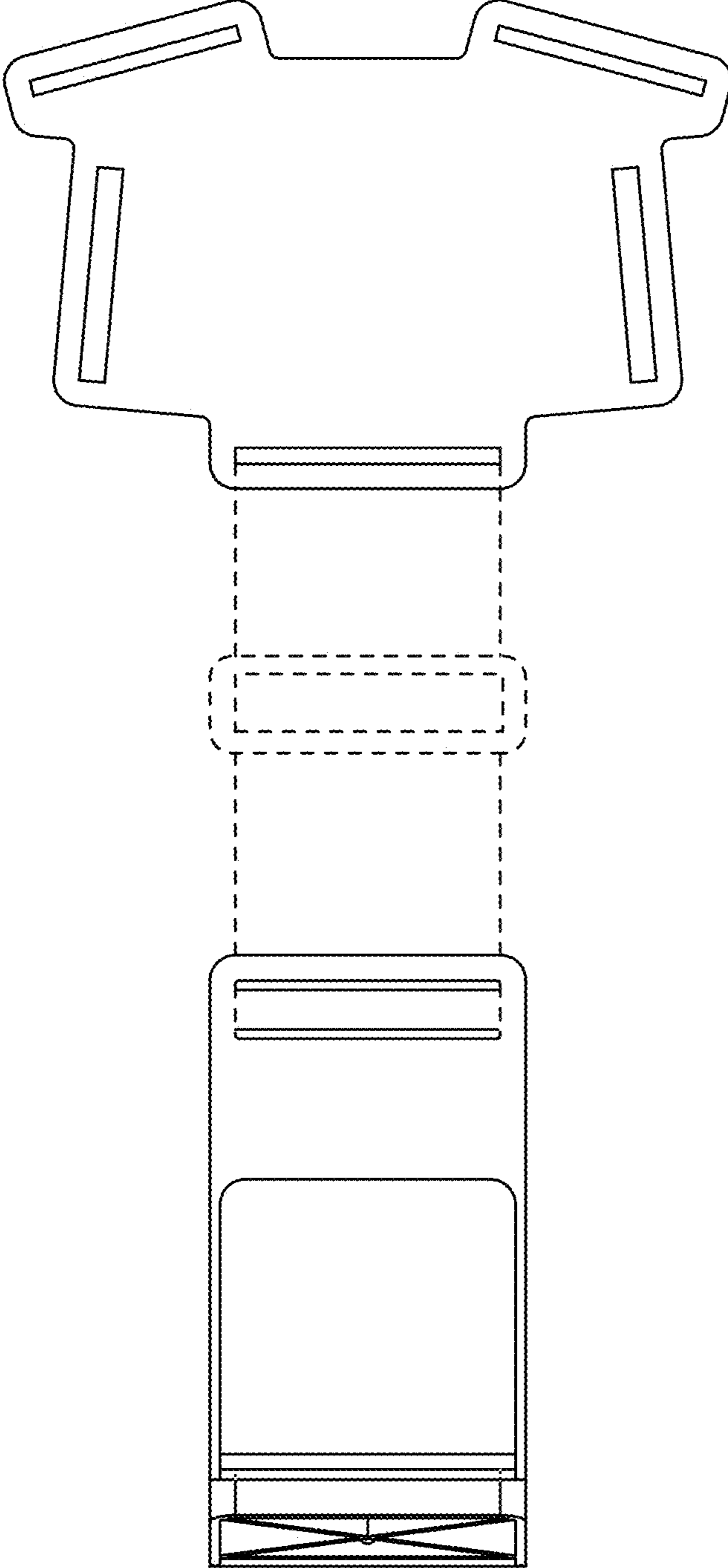


FIG. 2

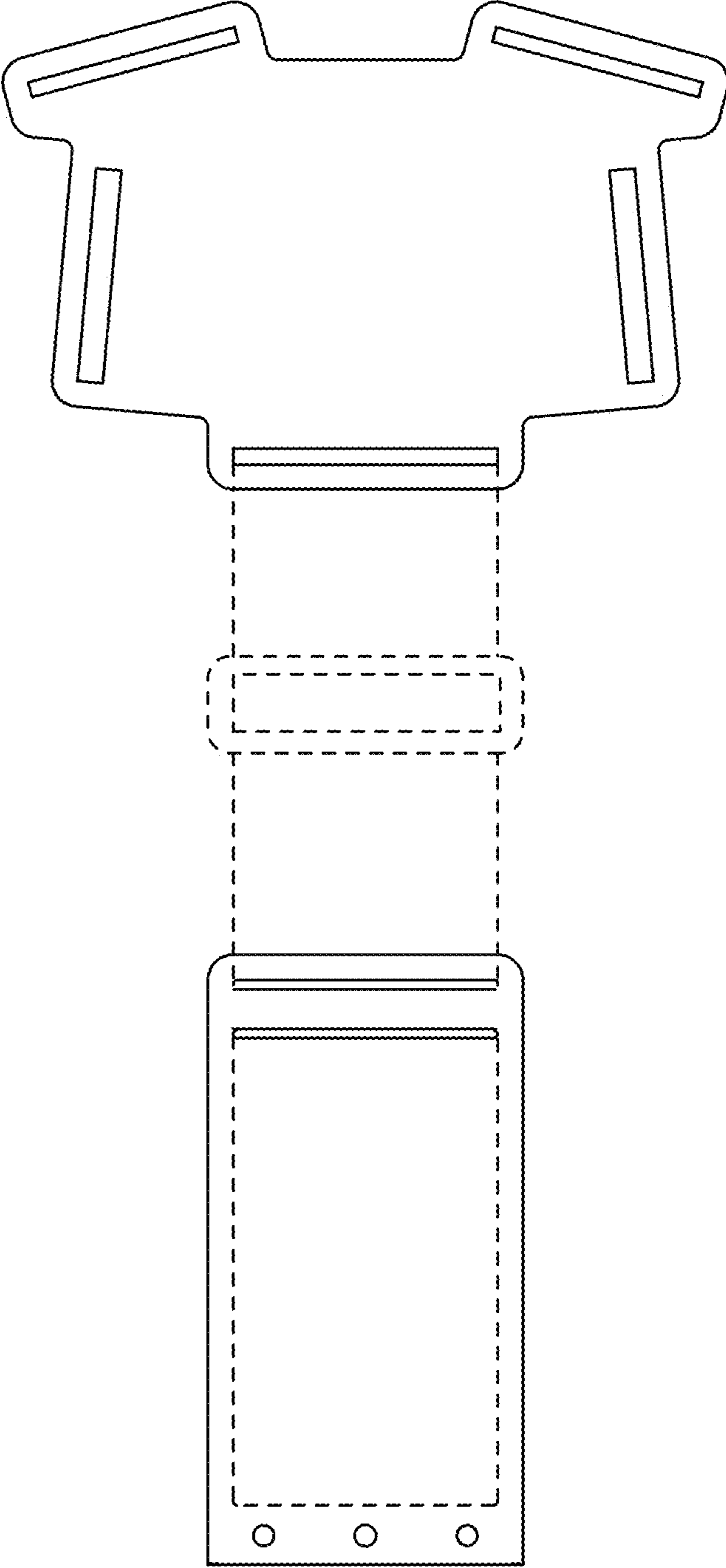


FIG. 3

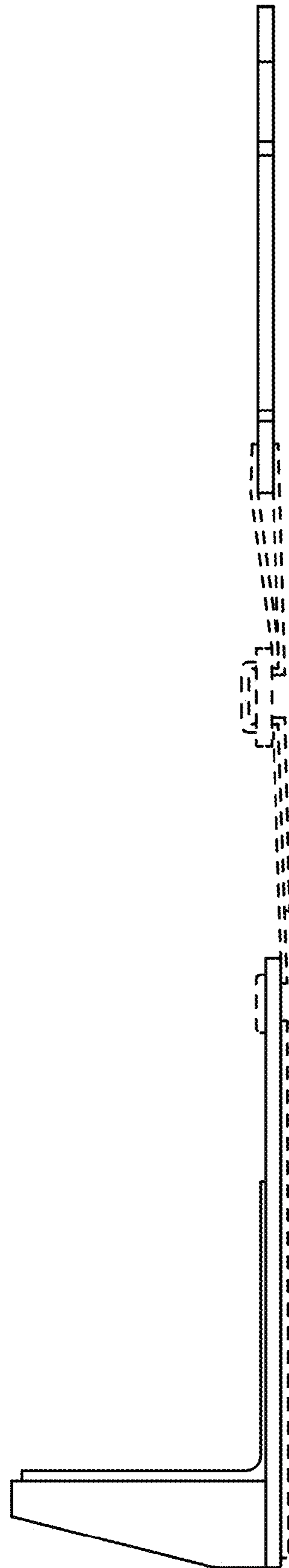


FIG. 4

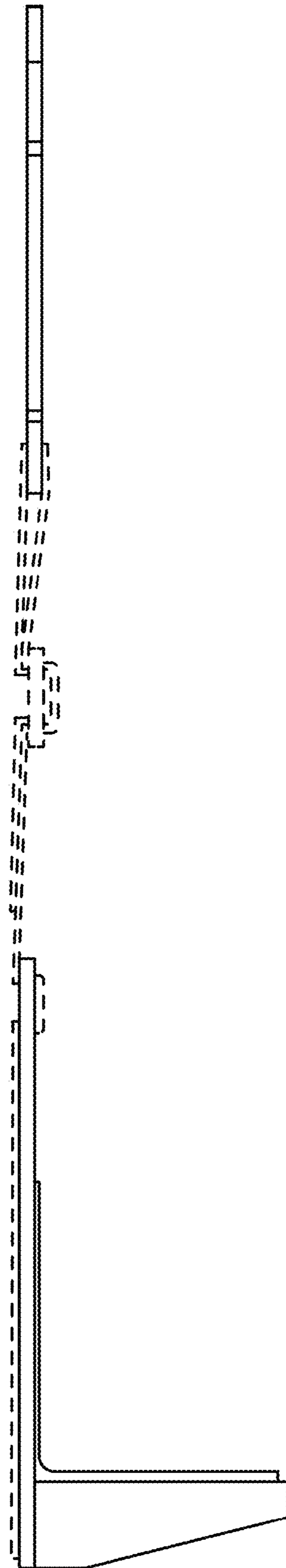


FIG. 5

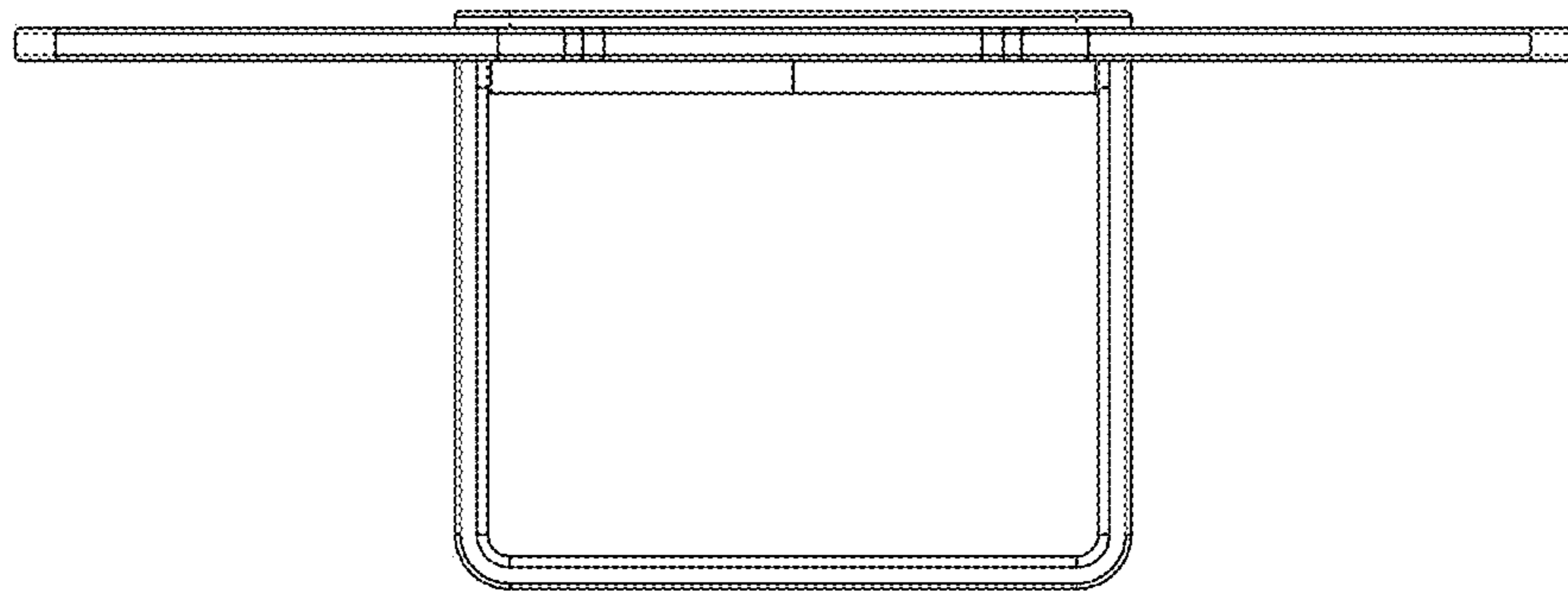


FIG. 6