



US00D900395S

(12) **United States Design Patent** (10) **Patent No.:** **US D900,395 S**
Du et al. (45) **Date of Patent:** **** Oct. 27, 2020**

(54) **MICRO-ELECTRIC GRINDING MACHINE**

(71) Applicant: **Ningbo JSDA Electronic Industry Co., Ltd., Ningbo, Zhejiang (CN)**

(72) Inventors: **Peilin Du, Zhejiang (CN); Congxiang Wang, Zhejiang (CN)**

(73) Assignee: **Ningbo JSDA Electronic Industry Co., Ltd., Ningbo (CN)**

(**) Term: **15 Years**

(21) Appl. No.: **29/694,056**

(22) Filed: **Jun. 6, 2019**

(51) **LOC (12) Cl.** **28-03**

(52) **U.S. Cl.**
USPC **D28/58; D15/131**

(58) **Field of Classification Search**
USPC D14/496, 137, 155, 159, 225; D15/122, D15/124, 131, 132; D8/61, 62; D28/57-59, 61, 62; D10/49, 56, 57; D24/152, 146, 144, 170
CPC . A61B 17/54; A61B 17/1662; A61B 17/1686; A61M 37/00; A61N 1/303; A45D 29/00; A45D 29/05; A45D 29/06; A45D 29/14
See application file for complete search history.

(56) **References Cited**

U.S. PATENT DOCUMENTS

- D255,997 S * 7/1980 Maeda D10/57
- D405,232 S * 2/1999 Stevens D24/133
- D419,843 S * 2/2000 Saitoh D8/61
- D424,613 S * 5/2000 Chiang D18/57
- D427,038 S * 6/2000 Lin D8/61
- D427,039 S * 6/2000 Ono D8/61
- D427,040 S * 6/2000 Heun D8/61
- D447,801 S * 9/2001 Saitoh D24/146
- D460,923 S * 7/2002 Chen D10/52
- D484,762 S * 1/2004 Lee D8/62

- D511,401 S * 11/2005 Park D28/58
- D535,202 S * 1/2007 Sisk G01K 1/02
- D585,412 S * 1/2009 Kim D14/138 AB
- D587,365 S * 2/2009 Boaz D10/49
- D637,287 S * 5/2011 Mudd D24/133
- D688,109 S * 8/2013 Vanderbeek D8/61
- D752,997 S * 4/2016 Miller D10/57

(Continued)

OTHER PUBLICATIONS

Slite, Mini Pencil Variable Speed Rotary Grinder, (site visited Aug. 11, 2020), Toolots.com website, URL:<<https://www.toolots.com/slite-p-500-17-abs-36v-mini-pencil-variable-speed-rotary-grinder.html>> (Year: 2020).*

(Continued)

Primary Examiner — Sheryl Lane

Assistant Examiner — Mark T. Philipps

(74) *Attorney, Agent, or Firm* — Wayne & Ken, LLC; Tony Hom

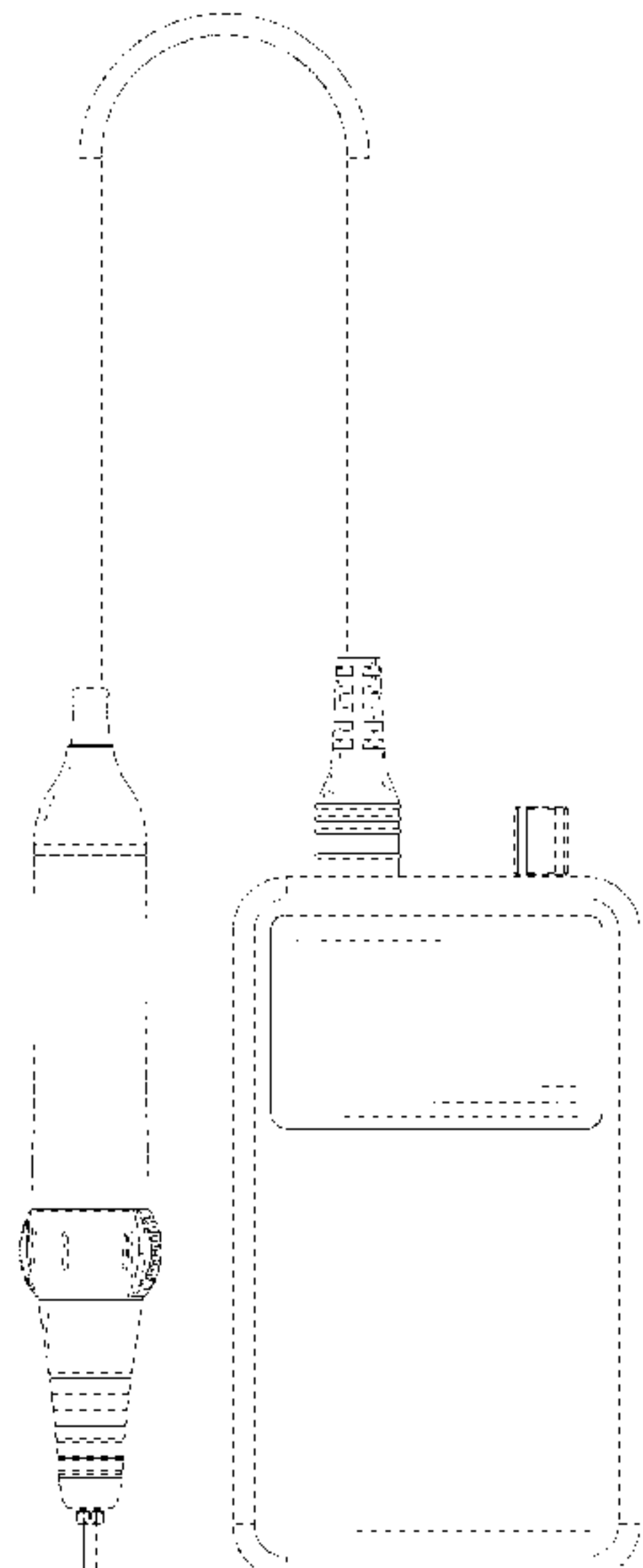
(57) **CLAIM**

The ornamental design for a micro-electric grinding machine, as shown and described.

DESCRIPTION

FIG. 1 is a front elevation view of a micro-electric grinding machine showing my new design;
FIG. 2 is a back elevation view thereof;
FIG. 3 is a left side view thereof;
FIG. 4 is a right side view thereof;
FIG. 5 is an enlarged top plan view thereof;
FIG. 6 is an enlarged bottom plan view thereof;
FIG. 7 is a perspective view thereof; and,
FIG. 8 is another perspective view thereof.
The broken lines in the drawing depict environmental subject matter only and form no part of the claimed design.

1 Claim, 8 Drawing Sheets



(56)

References Cited

U.S. PATENT DOCUMENTS

D765,523 S * 9/2016 Chapman D10/57
D825,107 S * 8/2018 Du D28/58
D861,450 S * 10/2019 Mancini D8/61

OTHER PUBLICATIONS

Belle, Belle 35000rpm Rechargeable Nail Drill Professional Brushless Cordless, (site visited Aug. 11, 2020) Ebay.com, URL:<<https://www.ebay.com/p/17039095804>> (Year: 2020).*

JSDA, JD6G Mobile Nail Care Tools Professional Electric Nail Drill, (site visited Aug. 11, 2020) Tradewheel.com, URL:<<https://www.tradewheel.com/p/jsda-jd6g-mobile-nail-care-tools-76345/>> (Year: 2020).*

* cited by examiner

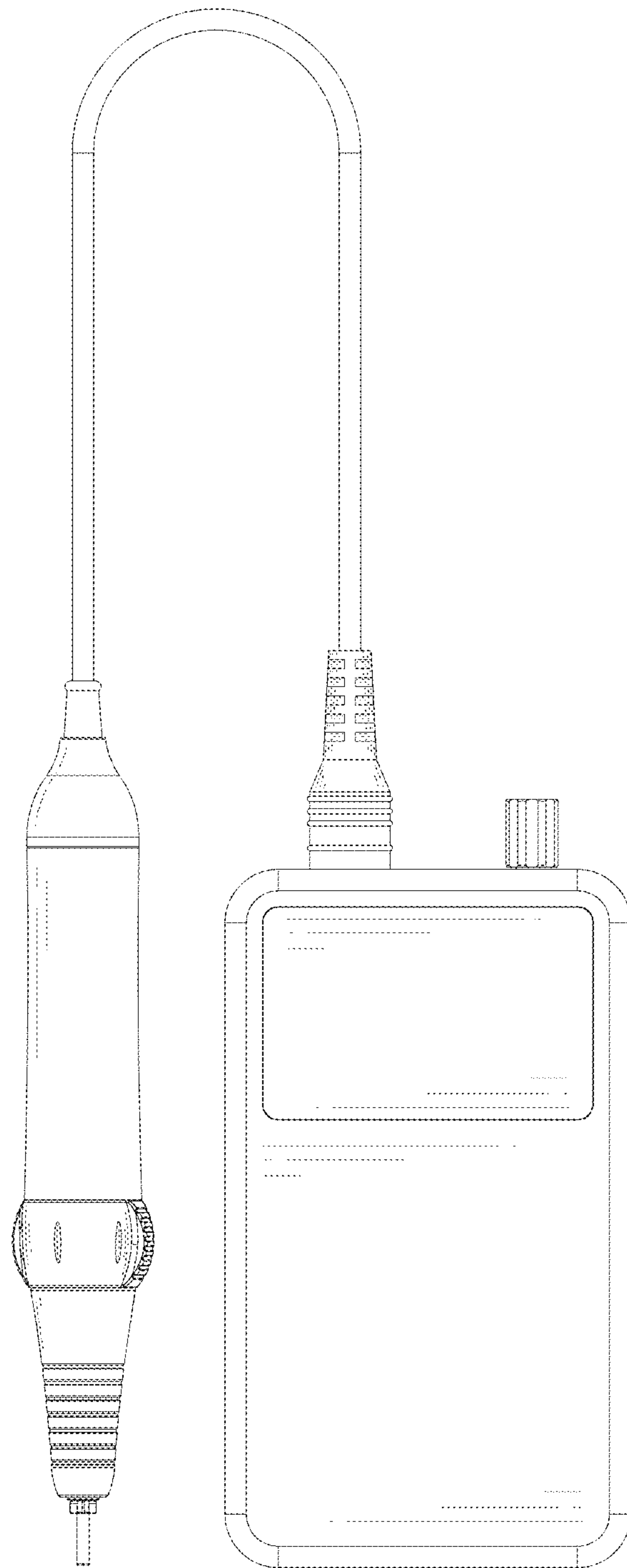


FIG. 1

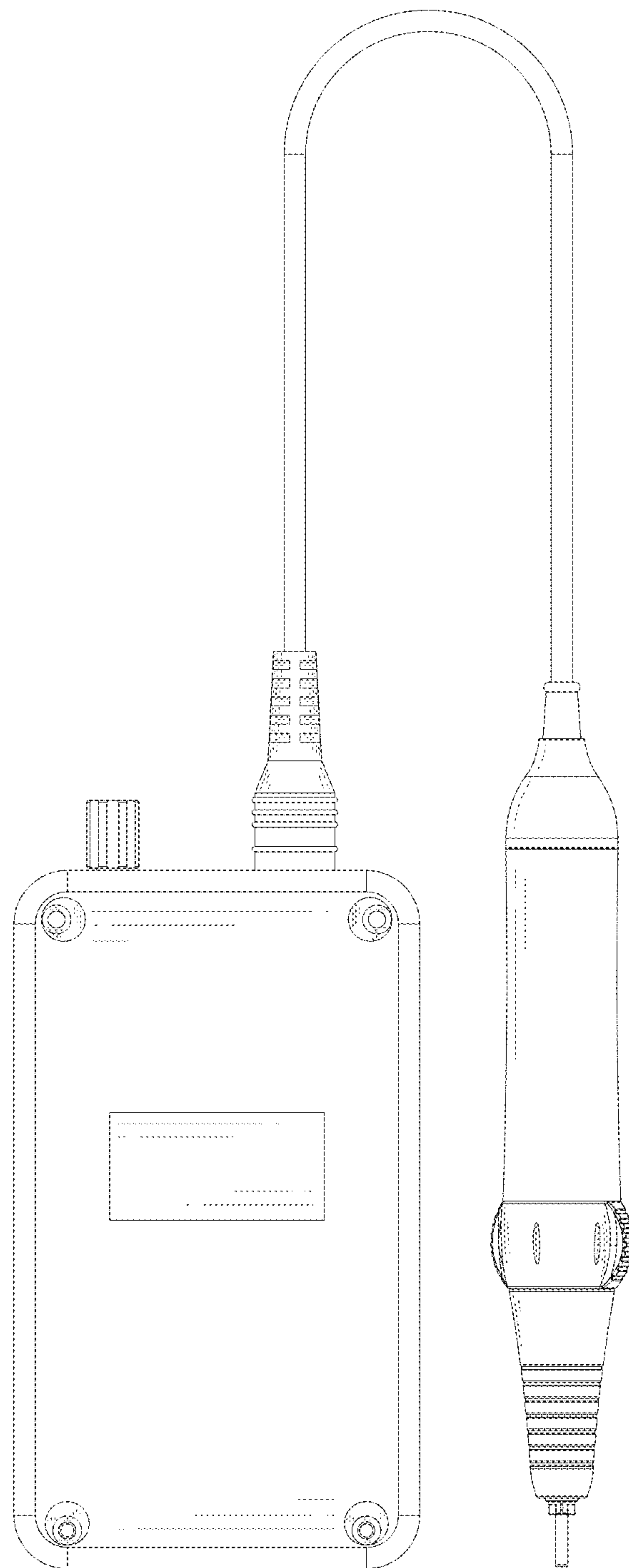


FIG. 2

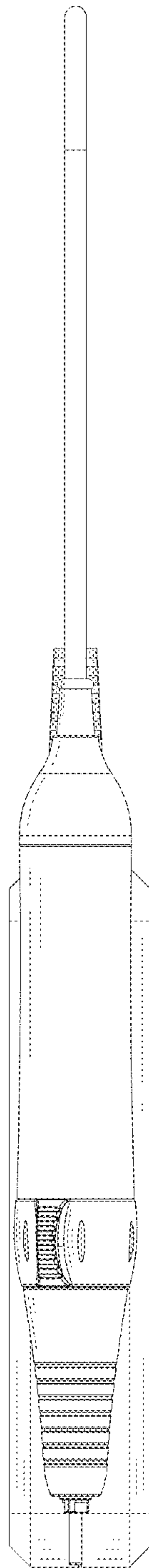


FIG. 3

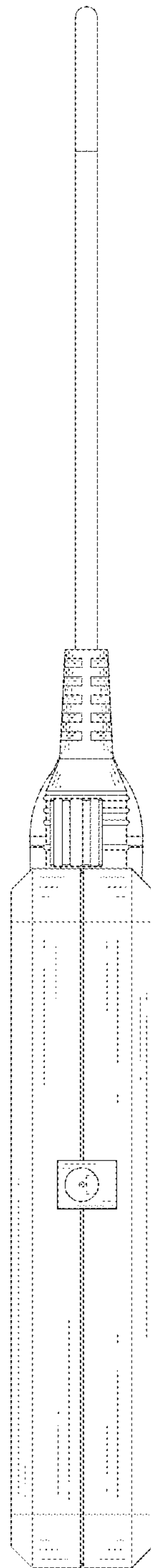


FIG. 4

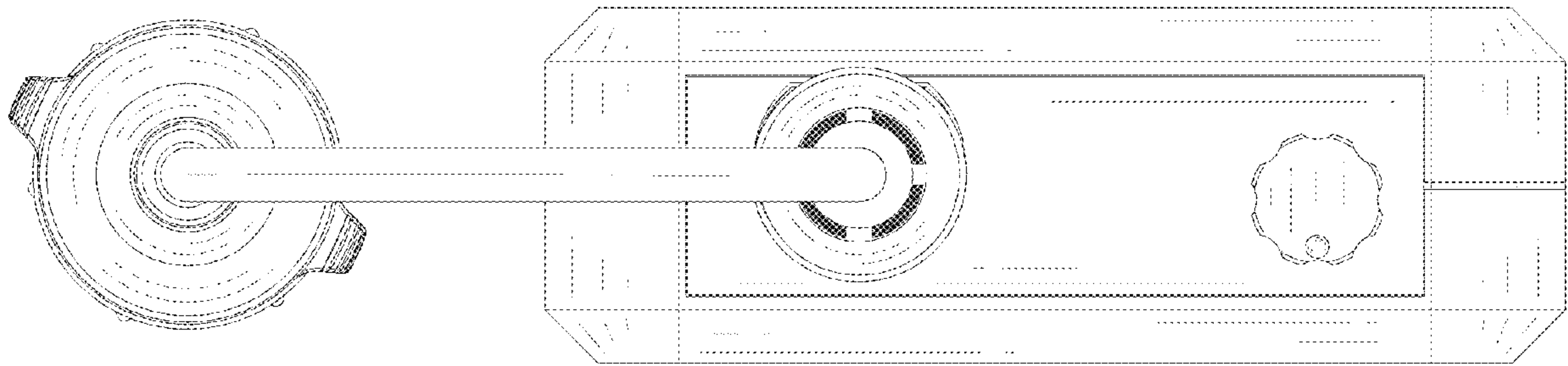


FIG. 5

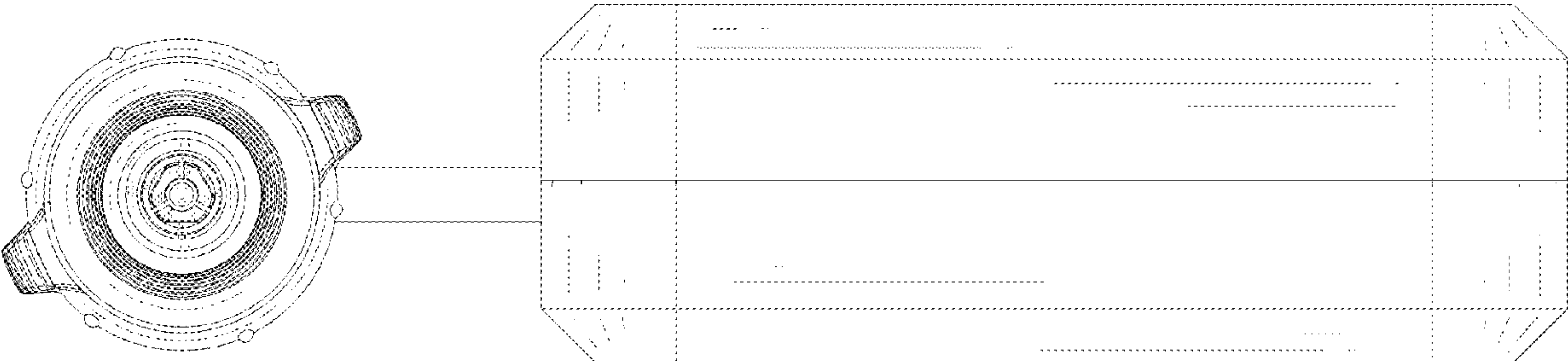


FIG. 6

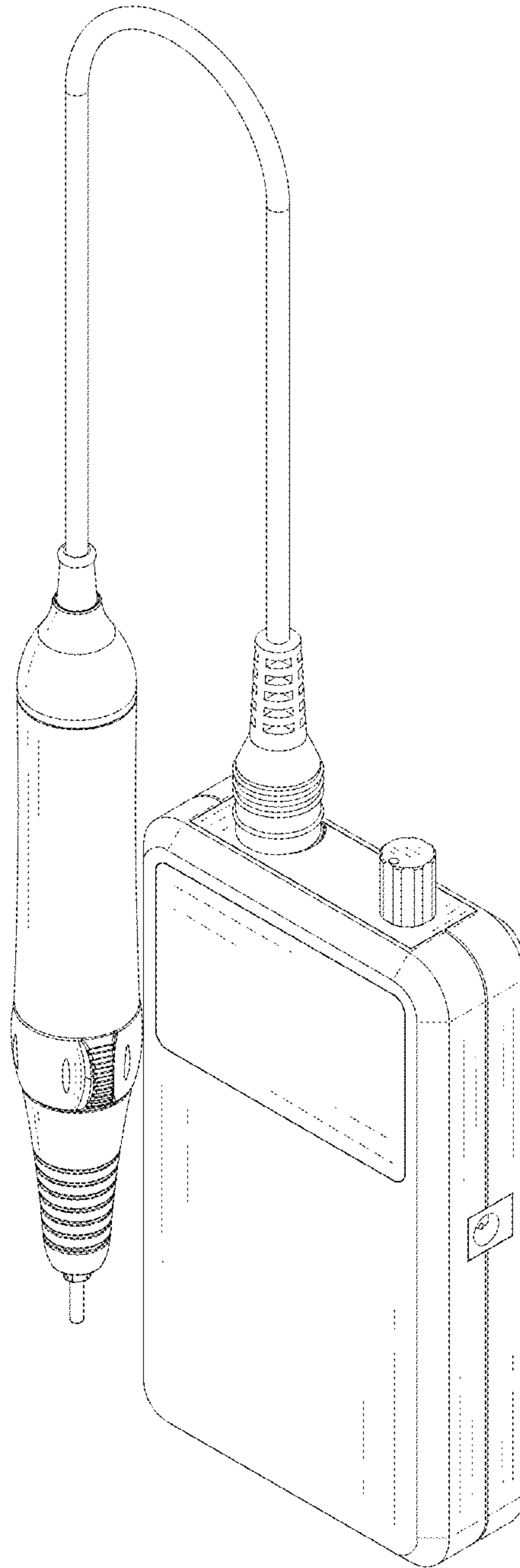


FIG. 7

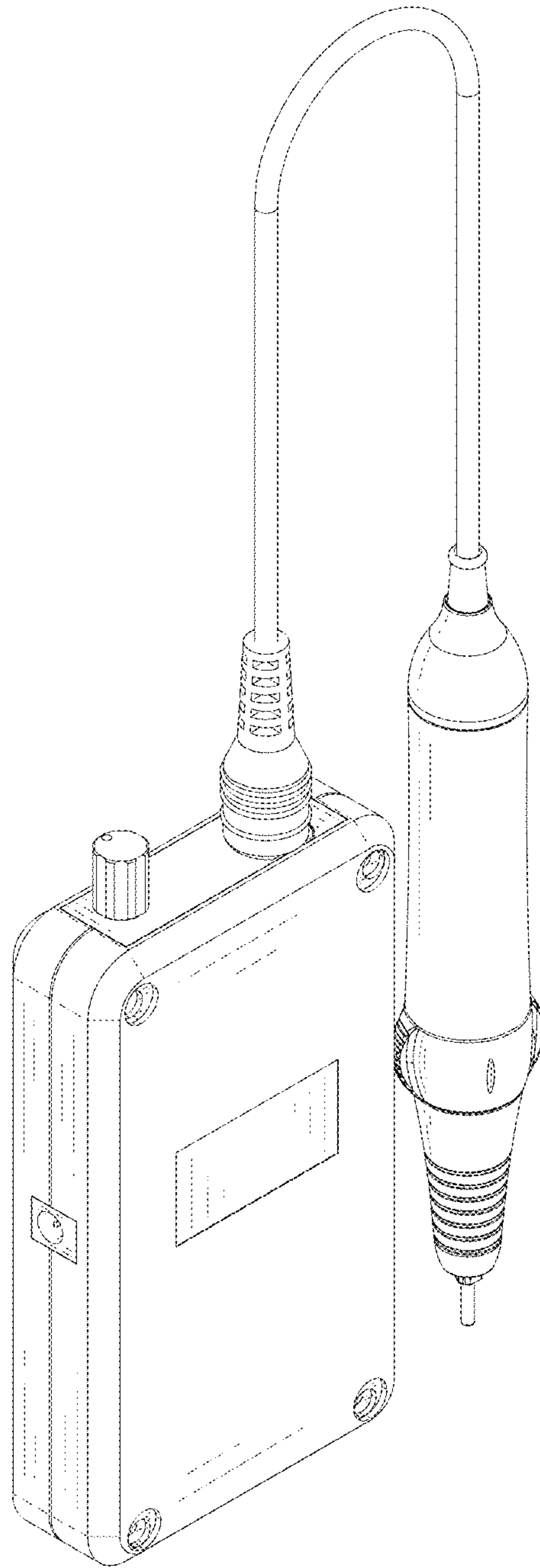


FIG. 8