



US00D900394S

(12) **United States Design Patent** (10) **Patent No.:** **US D900,394 S**
Bowker et al. (45) **Date of Patent:** **** Oct. 27, 2020**

(54) **SAFETY RAZOR HANDLE**

(71) Applicant: **Edgewell Personal Care Brands, LLC**, Chesterfield, MO (US)

(72) Inventors: **Megan Bowker**, New York, NY (US);
Adrian Candela, New York, NY (US);
Antonia Lazar, New York, NY (US);
Thomas Wilder, New York, NY (US)

(73) Assignee: **EDGEWELL PERSONAL CARE BRANDS, LLC**, Chesterfield, MO (US)

D386,820 S * 11/1997 Morrissette D28/46
D392,417 S 3/1998 Gray
D396,129 S 7/1998 Gray
D397,512 S 8/1998 Gray
D406,393 S 3/1999 Gray
D509,321 S 9/2005 Gray
D567,442 S * 4/2008 McMullan D28/46
D700,995 S * 3/2014 Lee D28/48
D700,996 S * 3/2014 Lee D28/48
D741,015 S * 10/2015 Sacks D28/48
D823,541 S * 7/2018 Wertz D28/46
2017/0297212 A1 * 10/2017 Nordstrom B26B 21/521
2019/0224870 A1 * 7/2019 Robinson B26B 21/227
2019/0270211 A1 * 9/2019 Harris, II B26B 21/521

(**) Term: **15 Years**

FOREIGN PATENT DOCUMENTS

(21) Appl. No.: **29/685,627**

(22) Filed: **Mar. 29, 2019**

(51) **LOC (12) Cl.** **28-03**

(52) **U.S. Cl.**
USPC **D28/48**

(58) **Field of Classification Search**
USPC D28/46-48
CPC B26B 21/00-06; B26B 21/08-38; B26B 21/44-50; B26B 21/405-4056; B26B 21/52-528

See application file for complete search history.

GB 674663 6/1952
GB 1209281 10/1970

* cited by examiner

Primary Examiner — Jennifer Rivard

(56) **References Cited**

U.S. PATENT DOCUMENTS

1,826,410 A 10/1931 Aronson
1,848,078 A 3/1932 Jansson
2,001,198 A 5/1935 Klegman
3,608,193 A 9/1971 Jerusalemi
4,413,411 A * 11/1983 Trotta B26B 21/521
30/526
5,553,384 A * 9/1996 Kim B26B 21/522
264/249

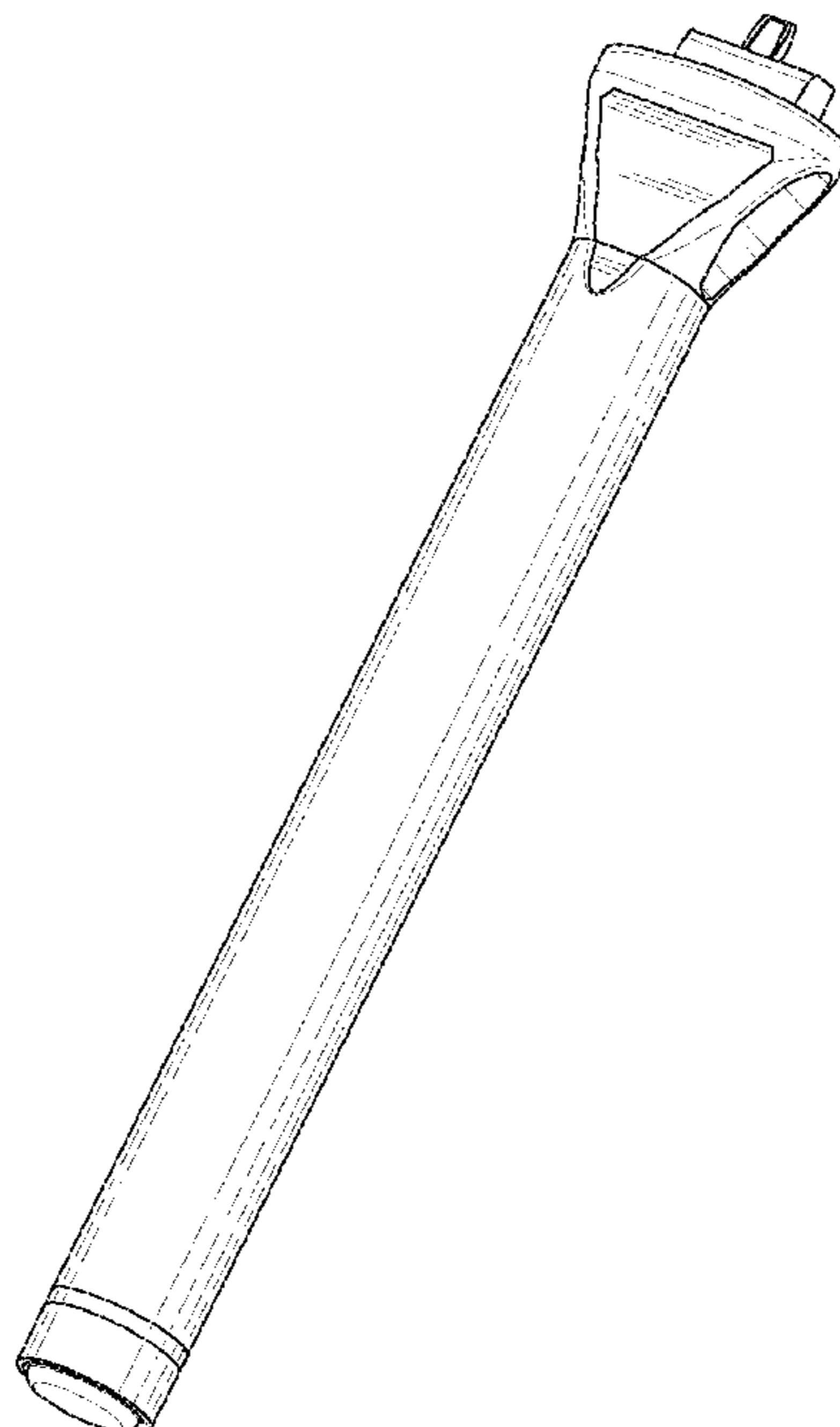
(57) **CLAIM**

We claim the ornamental design for the safety razor handle, as shown and described.

DESCRIPTION

FIG. 1 is an upper perspective view of a safety razor handle.
FIG. 2 is a lower perspective view thereof.
FIG. 3 is a rear view thereof.
FIG. 4 is a front view thereof.
FIG. 5 is a left side view of FIG. 3.
FIG. 6 is a right side view of FIG. 3.
FIG. 7 is a top view thereof; and,
FIG. 8 is a bottom view thereof.

1 Claim, 4 Drawing Sheets



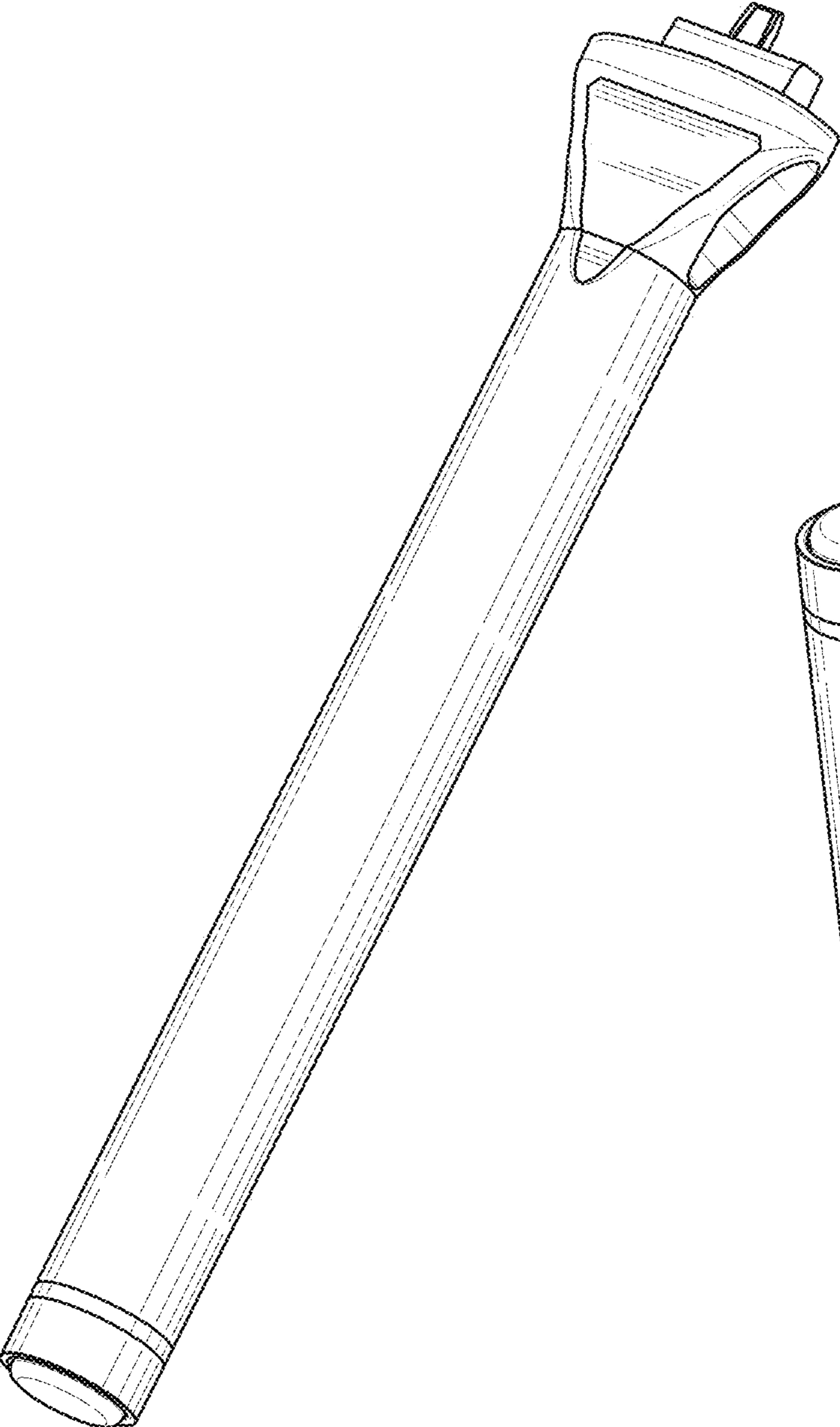


FIG. 1

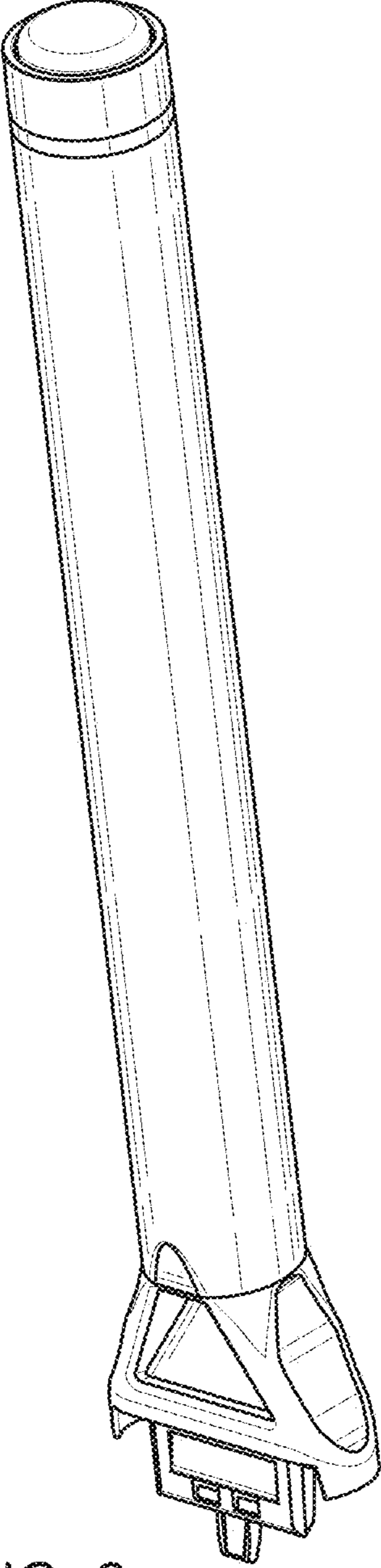


FIG. 2

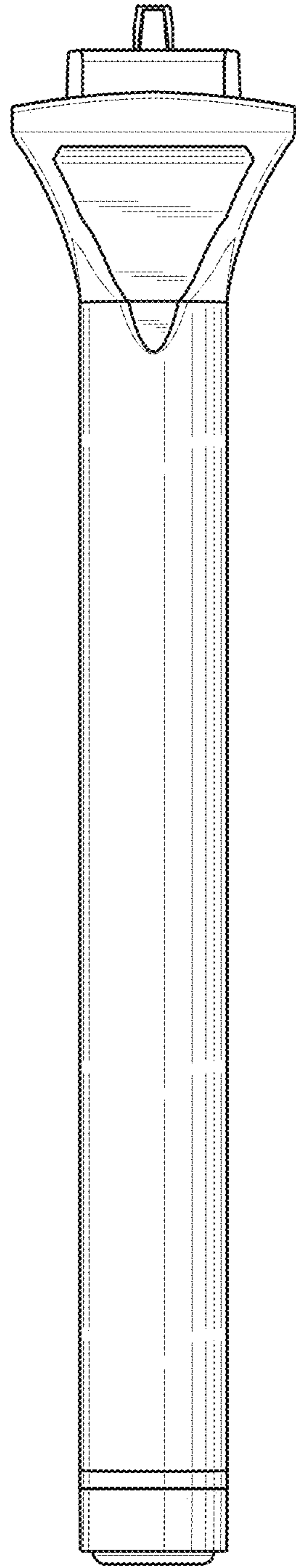


FIG. 3

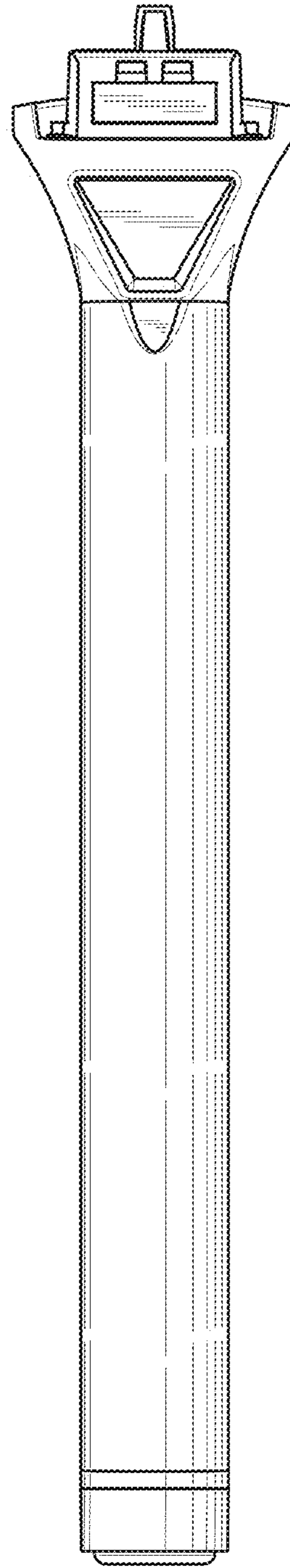


FIG. 4

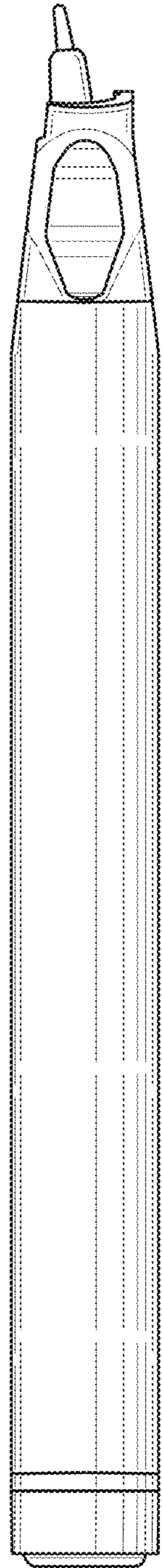


FIG. 5

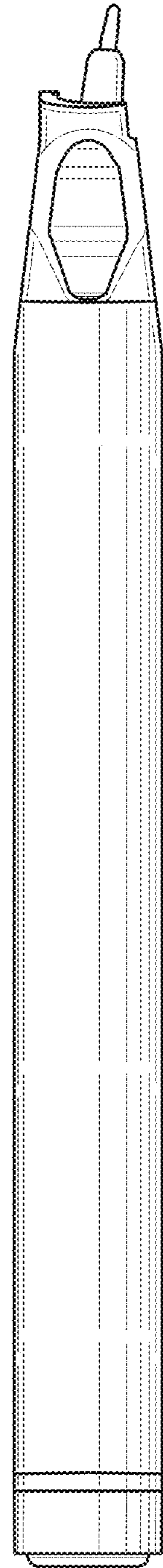


FIG. 6

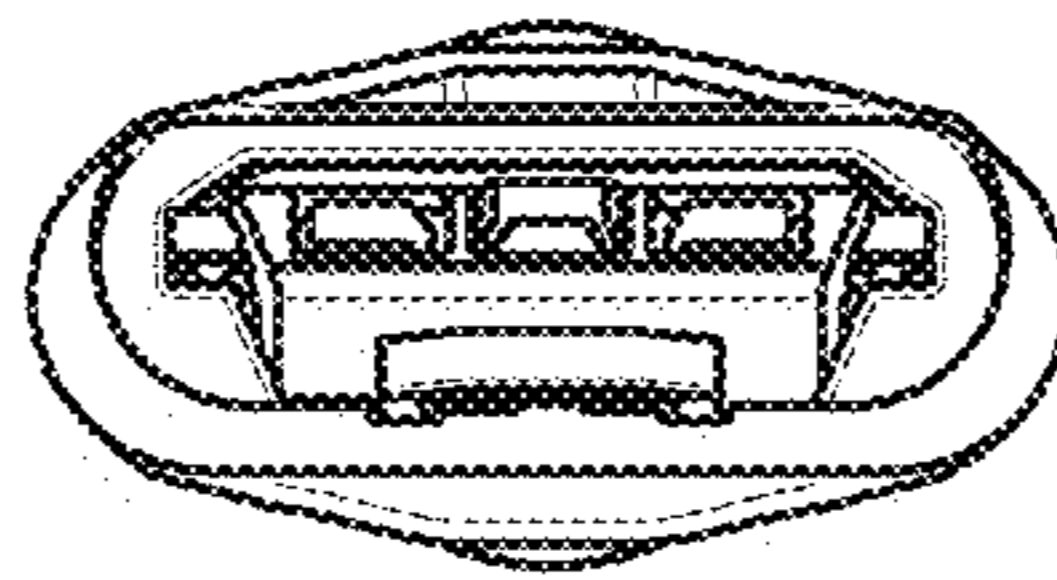


FIG. 7

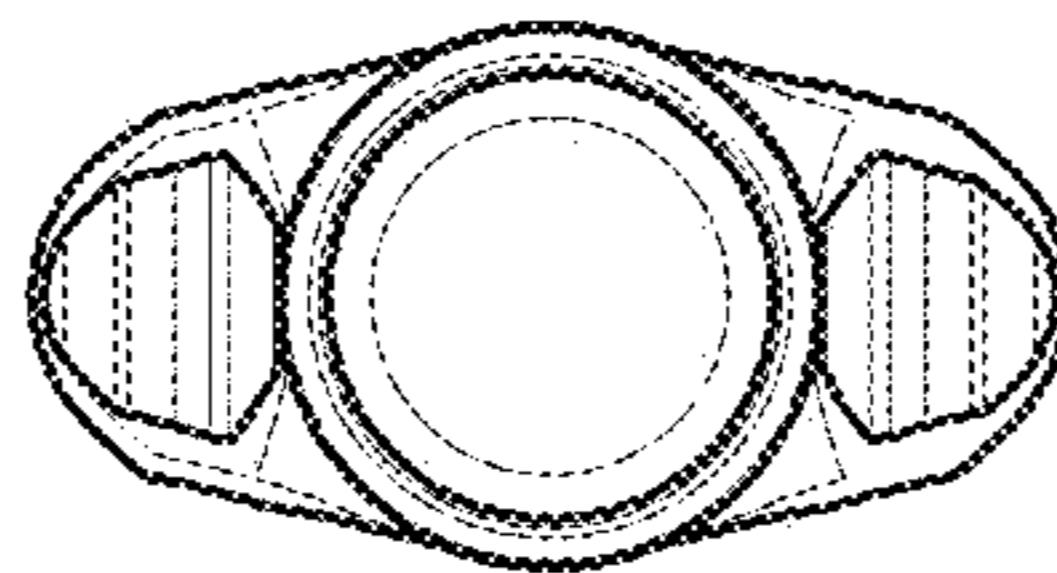


FIG. 8