



US00D900393S

(12) **United States Design Patent**  
**Cai**

(10) **Patent No.:** **US D900,393 S**

(45) **Date of Patent:** **\*\* Oct. 27, 2020**

(54) **SHAVER**

(71) Applicant: **Yanhui Cai**, Guangdong (CN)

(72) Inventor: **Yanhui Cai**, Guangdong (CN)

(\*\*) Term: **15 Years**

(21) Appl. No.: **29/670,295**

(22) Filed: **Nov. 15, 2018**

(51) **LOC (12) Cl.** ..... **28-03**

(52) **U.S. Cl.**  
USPC ..... **D28/46**

(58) **Field of Classification Search**  
USPC ..... D28/46-48  
CPC ..... B26B 21/00-06; B26B 21/08-38; B26B  
21/44-50; B26B 21/405-4056; B26B  
21/52-528  
See application file for complete search history.

(56) **References Cited**

**U.S. PATENT DOCUMENTS**

D560,032 S *	1/2008	Lopez	.....	D28/48
D611,653 S *	3/2010	Marut	.....	D28/46
D621,544 S *	8/2010	Bommarito	.....	D28/48
D656,675 S *	3/2012	Payne	.....	D28/48
D676,197 S *	2/2013	Boulanger	.....	D28/48
D678,610 S *	3/2013	Prat-Pfister	.....	D28/48
8,739,411 B2 *	6/2014	Kinghorn	.....	B26B 21/42 30/30
D783,900 S *	4/2017	Coviello	.....	D28/48
D808,589 S *	1/2018	Dryfhout	.....	D28/48
D825,852 S *	8/2018	Dryfhout	.....	D28/47
D836,839 S *	12/2018	Guo	.....	D28/46
D841,242 S *	2/2019	Marut	.....	B26B 21/22 D28/46
10,252,431 B2 *	4/2019	Dryfhout	.....	B26B 21/521
D868,375 S *	11/2019	Bonk	.....	D28/48
10,500,744 B1 *	12/2019	Dryfhout	.....	B26B 21/12
10,543,609 B2 *	1/2020	Dryfhout	.....	B26B 21/4031

**OTHER PUBLICATIONS**

[https://www.amazon.com/Liberex-Back-Shaver-Men-Replacement/dp/B0891XZGTQ/ref=sr\\_1\\_7?dchild=1&keywords=back+shaver&qid=1597682877&sr=8-7](https://www.amazon.com/Liberex-Back-Shaver-Men-Replacement/dp/B0891XZGTQ/ref=sr_1_7?dchild=1&keywords=back+shaver&qid=1597682877&sr=8-7) Liberex Shaver, www.amazon.com, reviewed as early as Mar. 2020, 1 page.\*

[https://www.amazon.com/dp/B077GB8T8F?pd\\_rd\\_i=B077GB8T8F&pd\\_rd\\_w=99fT7&pf\\_rd\\_p=d3020ac5-48e9-476e-be6a-d11aa64dbbc4&pd\\_rd\\_wg=REnc6&pf\\_rd\\_r=KSEEX0E924DFZJVYJ50W&pd\\_rd\\_r=b6232817-bfaf-47fe-93ae-010ddb2af98c](https://www.amazon.com/dp/B077GB8T8F?pd_rd_i=B077GB8T8F&pd_rd_w=99fT7&pf_rd_p=d3020ac5-48e9-476e-be6a-d11aa64dbbc4&pd_rd_wg=REnc6&pf_rd_r=KSEEX0E924DFZJVYJ50W&pd_rd_r=b6232817-bfaf-47fe-93ae-010ddb2af98c) baKblade Elite Plus, www.amazon.com, reviewed as early as Jul. 2018, 1 page.\*

\* cited by examiner

*Primary Examiner* — Jennifer Rivard

(57) **CLAIM**

I claim the ornamental design for a shaver, as shown and described.

**DESCRIPTION**

FIG. 1 is a front elevational view of a shaver showing my new design;

FIG. 2 is a rear elevational view thereof;

FIG. 3 is an enlarged, left side view thereof;

FIG. 4 is an enlarged, right side view thereof;

FIG. 5 is a top plan view thereof;

FIG. 6 is a bottom plan view thereof;

FIG. 7 is a front perspective view thereof;

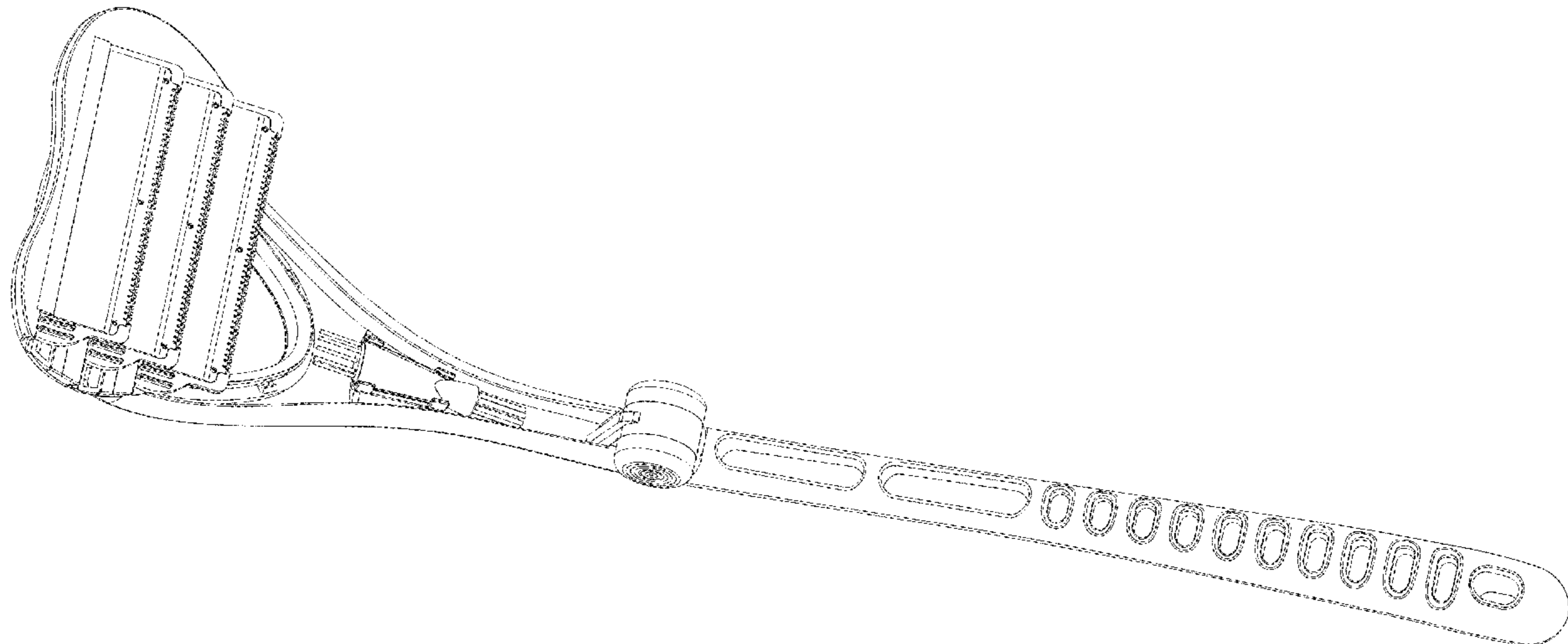
FIG. 8 is a rear perspective view thereof;

FIG. 9 is an enlarged perspective view showing the shaver in a folded state;

FIG. 10 is an enlarged perspective view showing the shaver in a folded state; and,

FIG. 11 is an enlarged side view showing the shaver in a folded state.

**1 Claim, 11 Drawing Sheets**



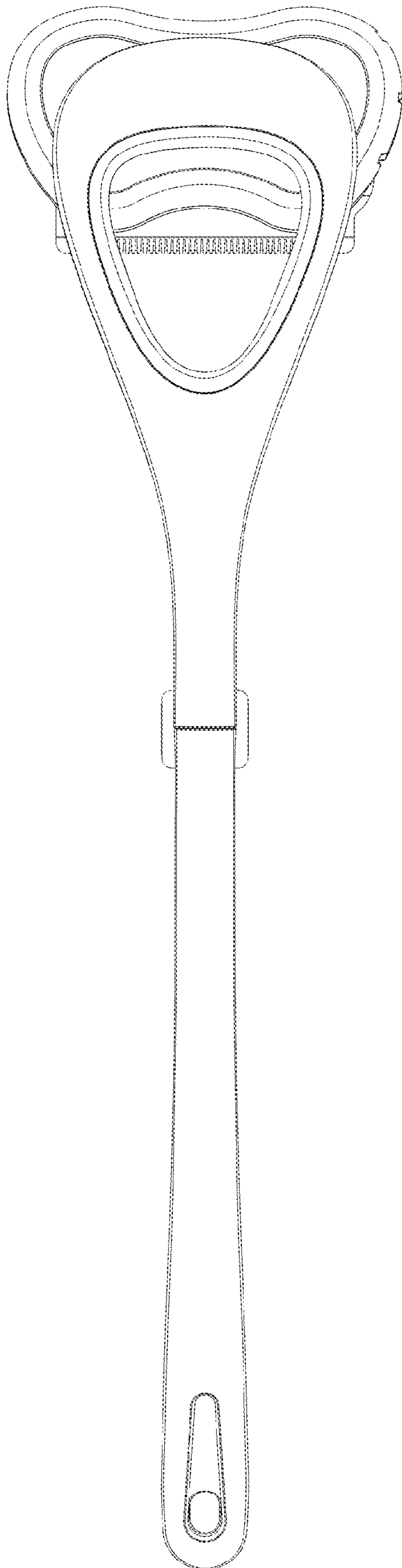


Fig. 1

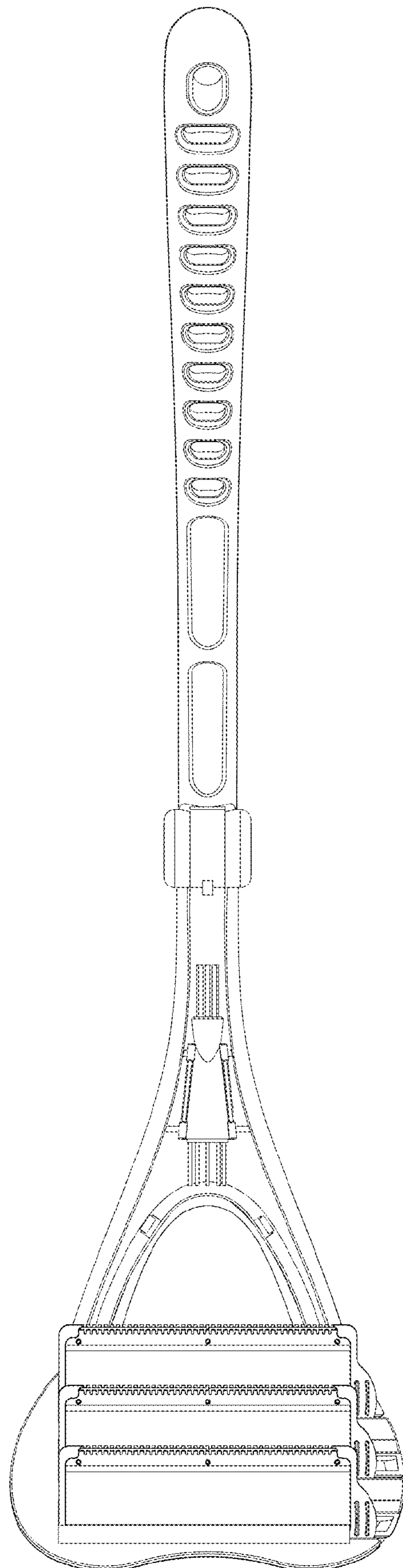


Fig. 2

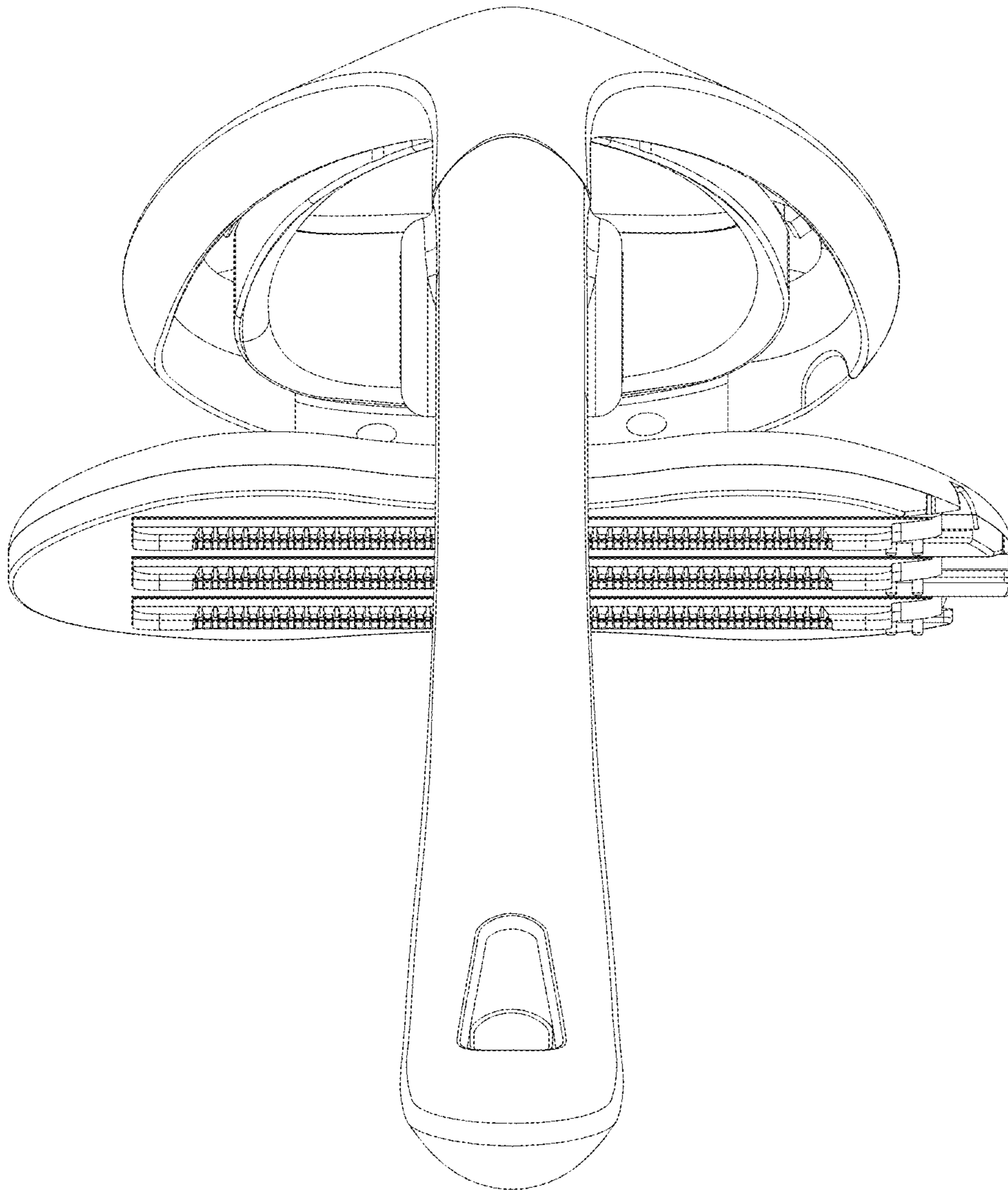


Fig. 3

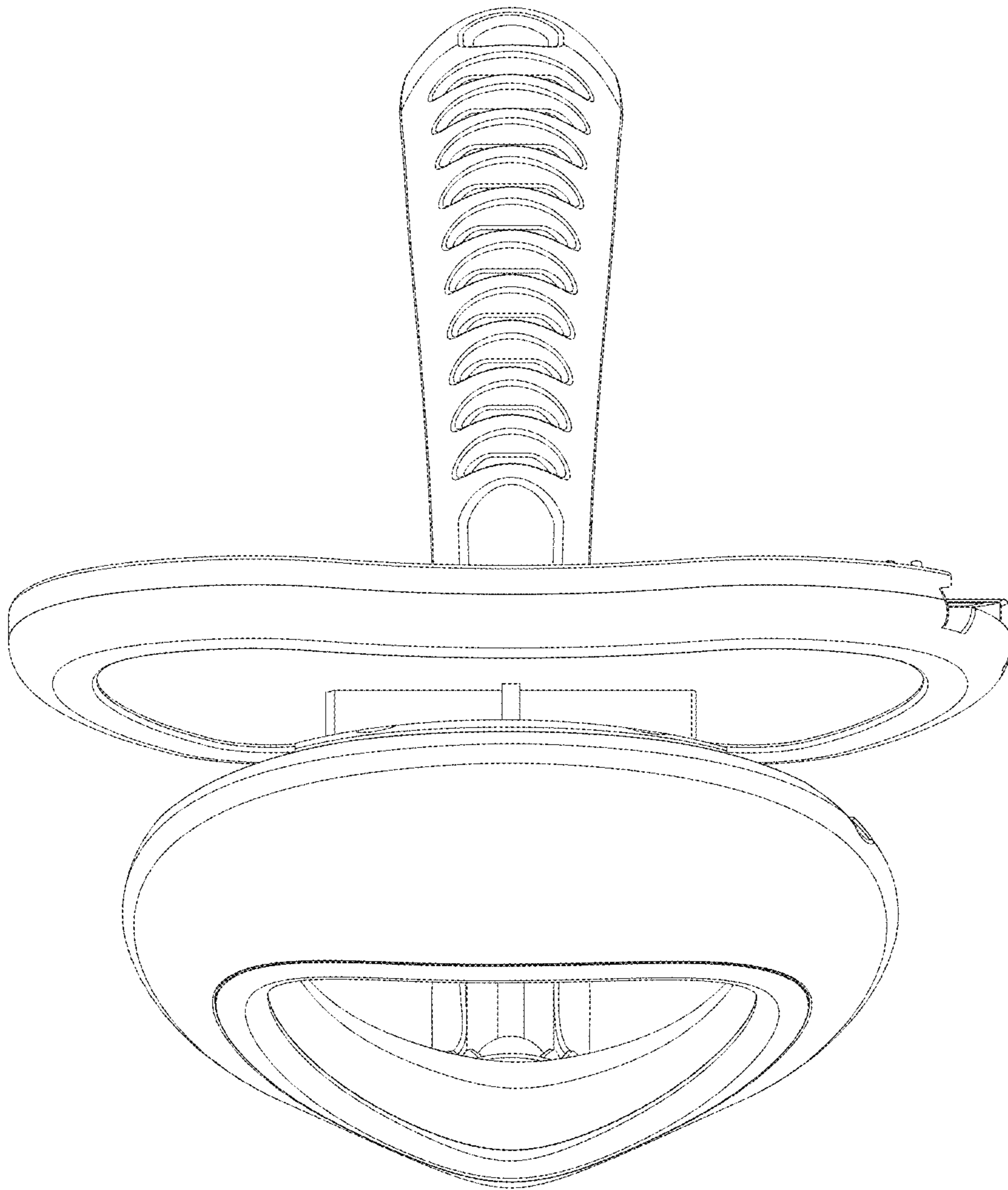


Fig. 4

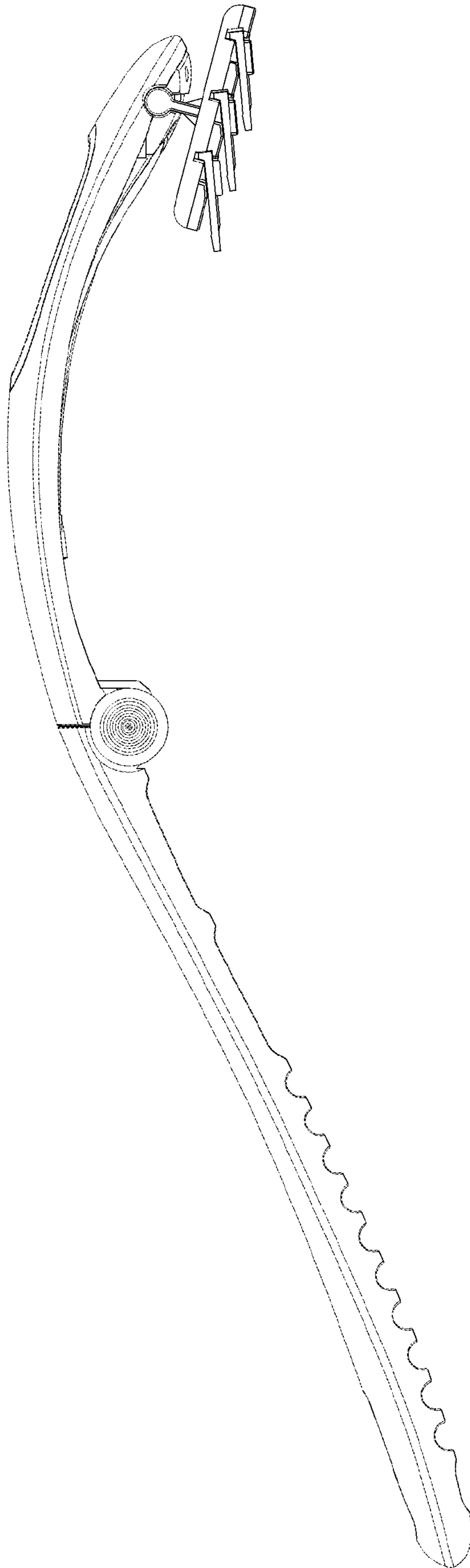


Fig. 5

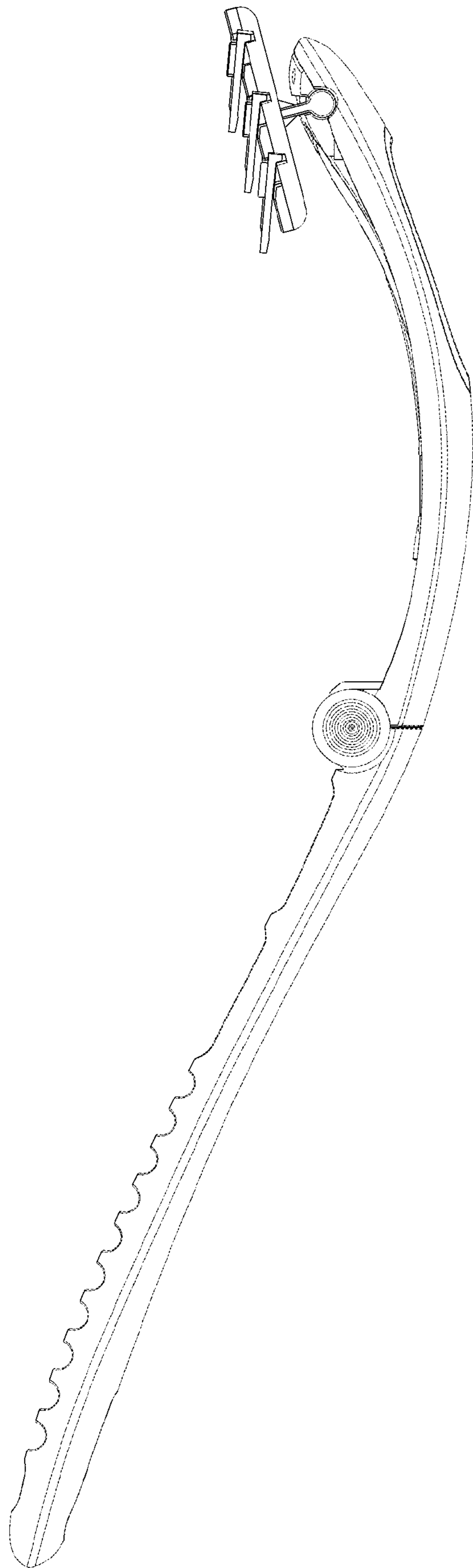


Fig. 6

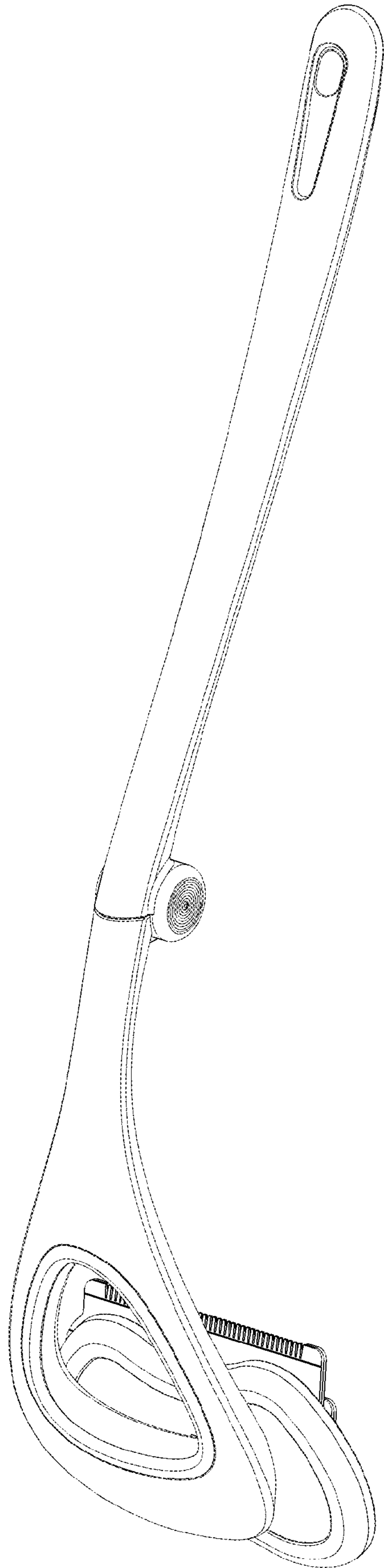


Fig. 7



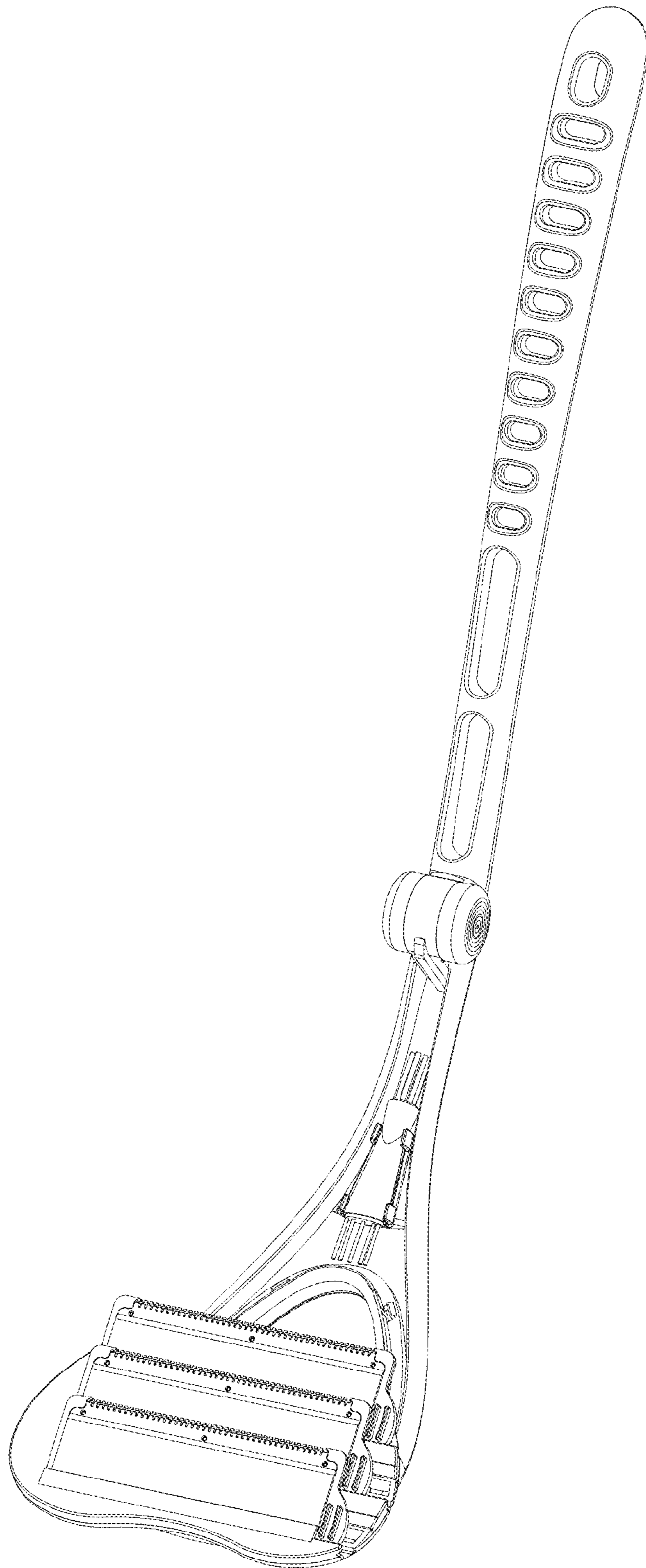


Fig. 8

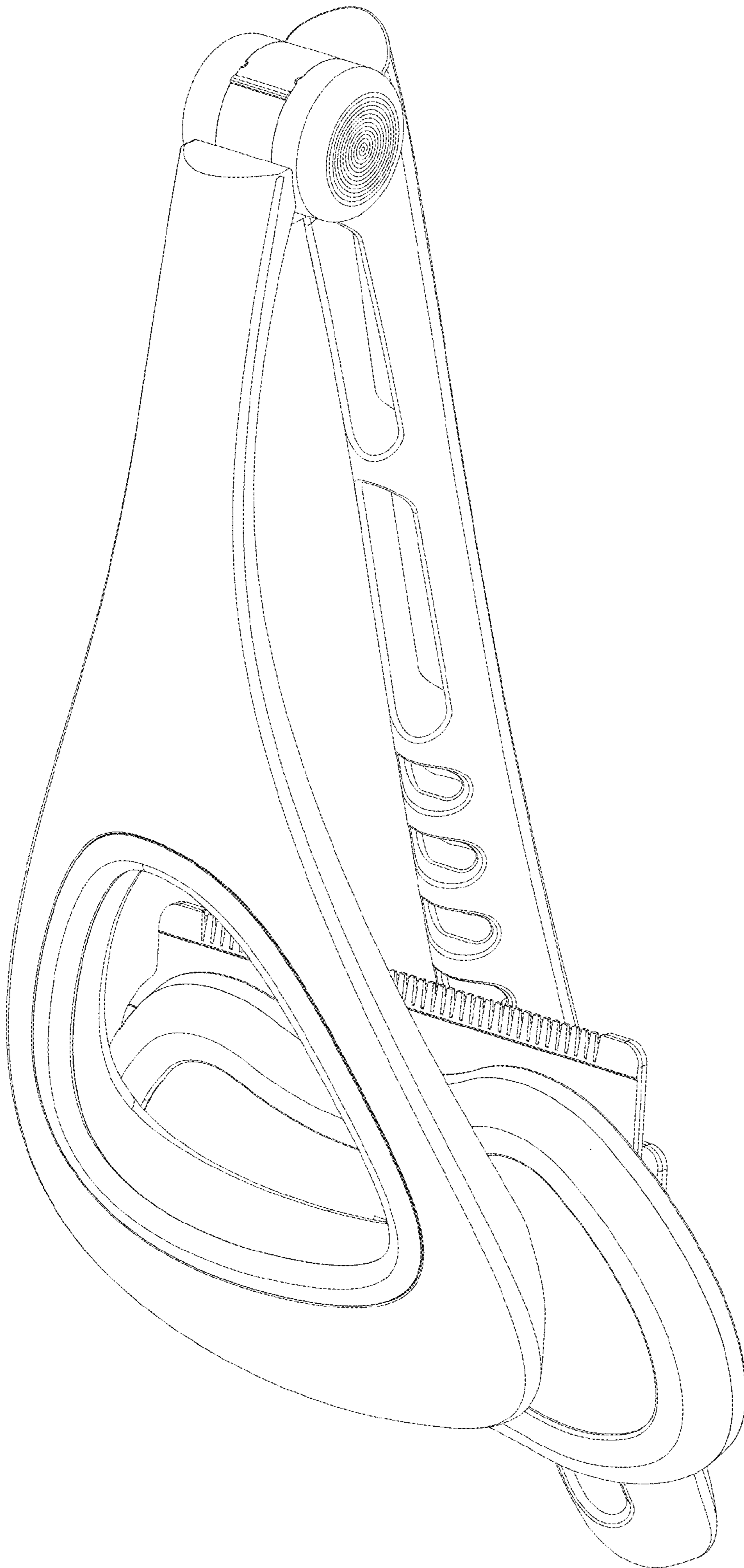


Fig. 9

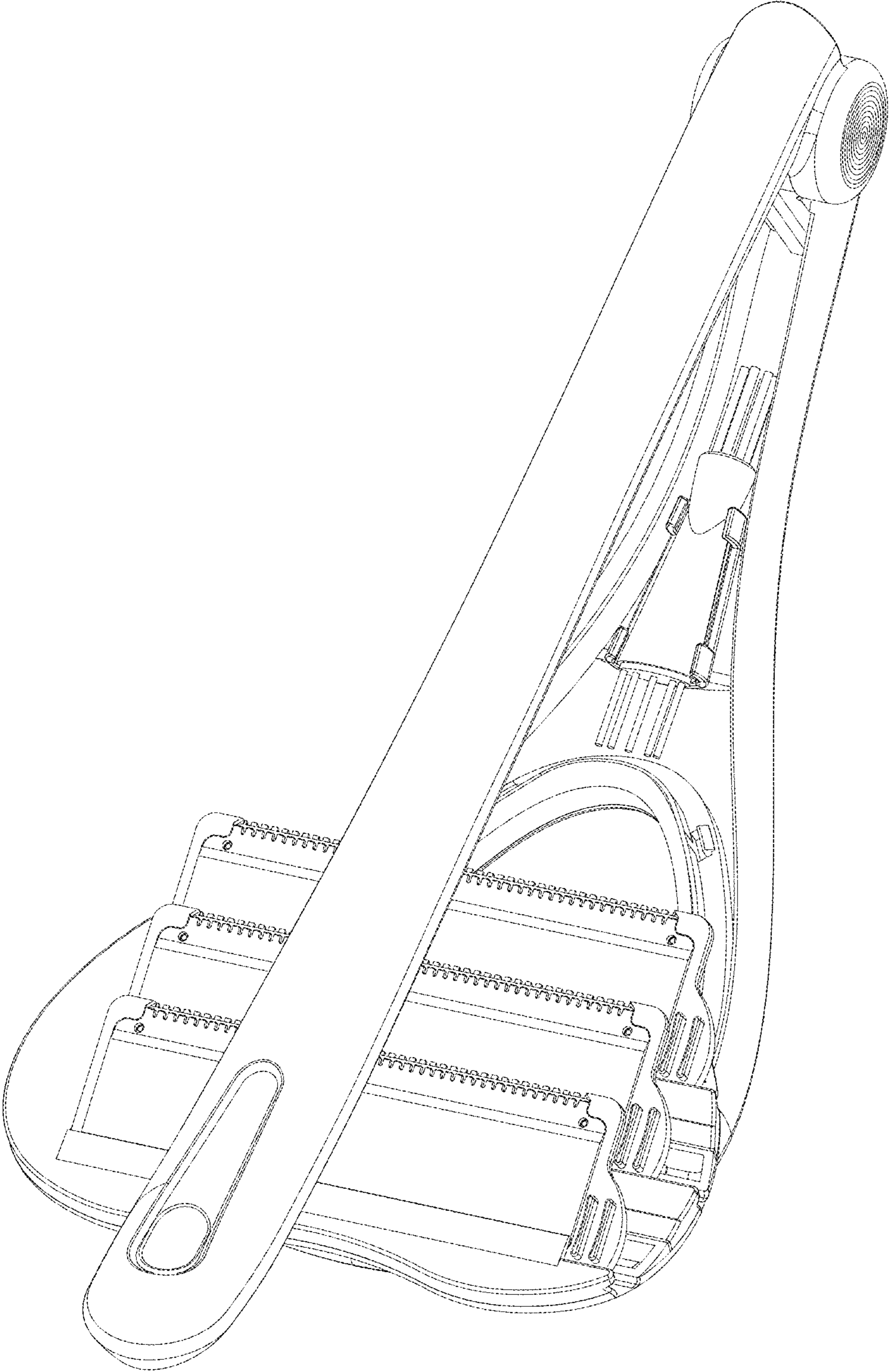


Fig. 10

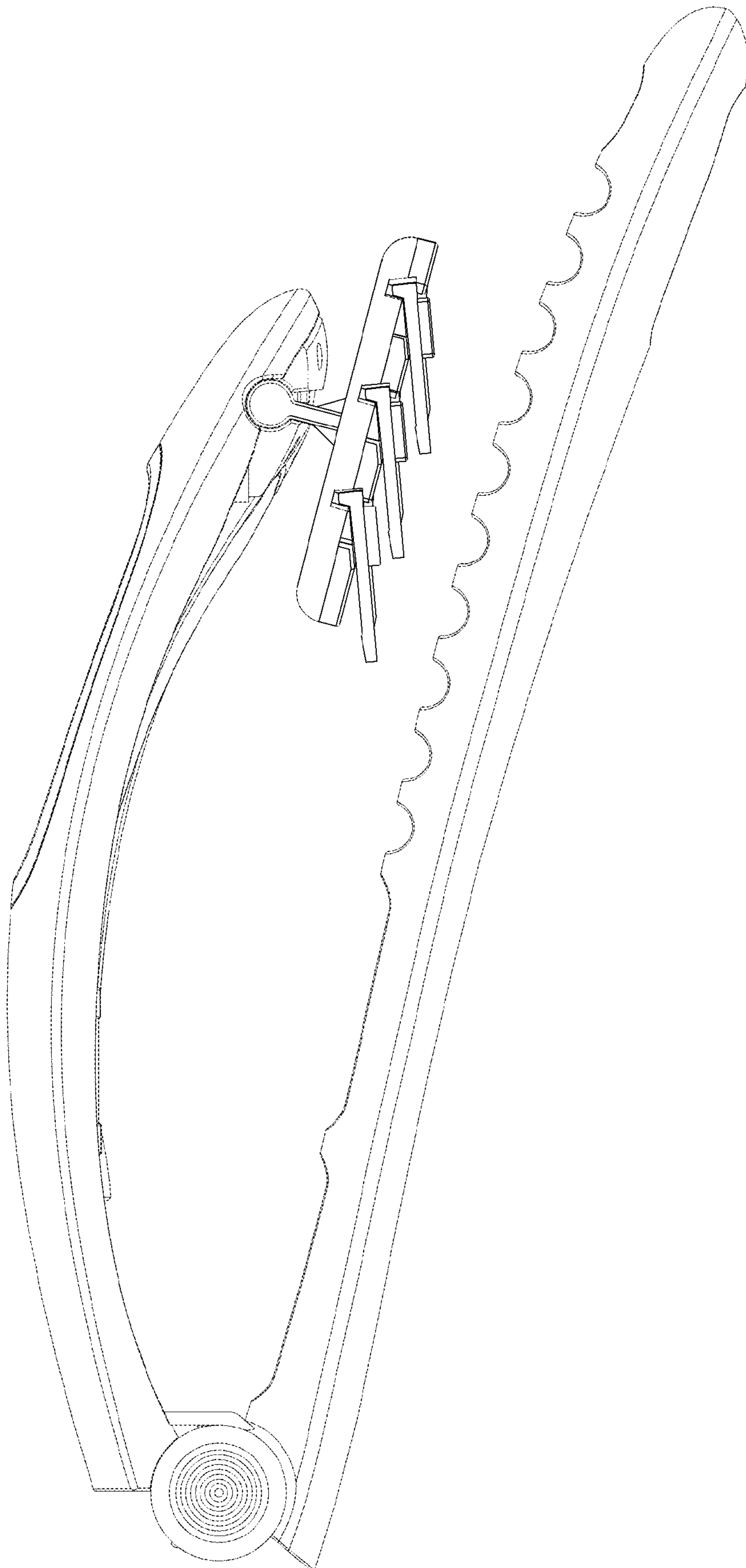


Fig. 11