



US00D900392S

(12) **United States Design Patent** (10) **Patent No.:** **US D900,392 S**
Sheikh (45) **Date of Patent:** **** Oct. 27, 2020**

(54) **STRAIGHT RAZOR**

(71) Applicant: **Hassan A. Sheikh**, Irving, TX (US)

(72) Inventor: **Hassan A. Sheikh**, Irving, TX (US)

(**) Term: **15 Years**

(21) Appl. No.: **29/675,413**

(22) Filed: **Dec. 31, 2018**

(51) **LOC (12) Cl.** **28-03**

(52) **U.S. Cl.**
USPC **D28/45**

(58) **Field of Classification Search**
USPC D28/45
CPC B26B 21/02; B26B 21/06; B26B 21/4037;
B26B 21/10
See application file for complete search history.

(56) **References Cited**

U.S. PATENT DOCUMENTS

- 1,262,073 A * 4/1918 McCain B26B 21/06
30/32
- 1,309,726 A * 7/1919 Gibford B26B 21/06
30/32
- 1,317,822 A * 10/1919 Ramseyer B26B 21/06
30/32
- 1,473,426 A * 11/1923 Hamilton B26B 21/02
30/55
- D207,083 S * 2/1967 Arnold D28/45

- D552,794 S * 10/2007 Klein D28/45
- D627,517 S * 11/2010 Ido D28/45
- D750,323 S * 2/2016 Exley D28/45
- D834,750 S * 11/2018 Toone D28/45
- D837,450 S * 1/2019 Vukanovic D28/45

* cited by examiner

Primary Examiner — Jennifer Rivard

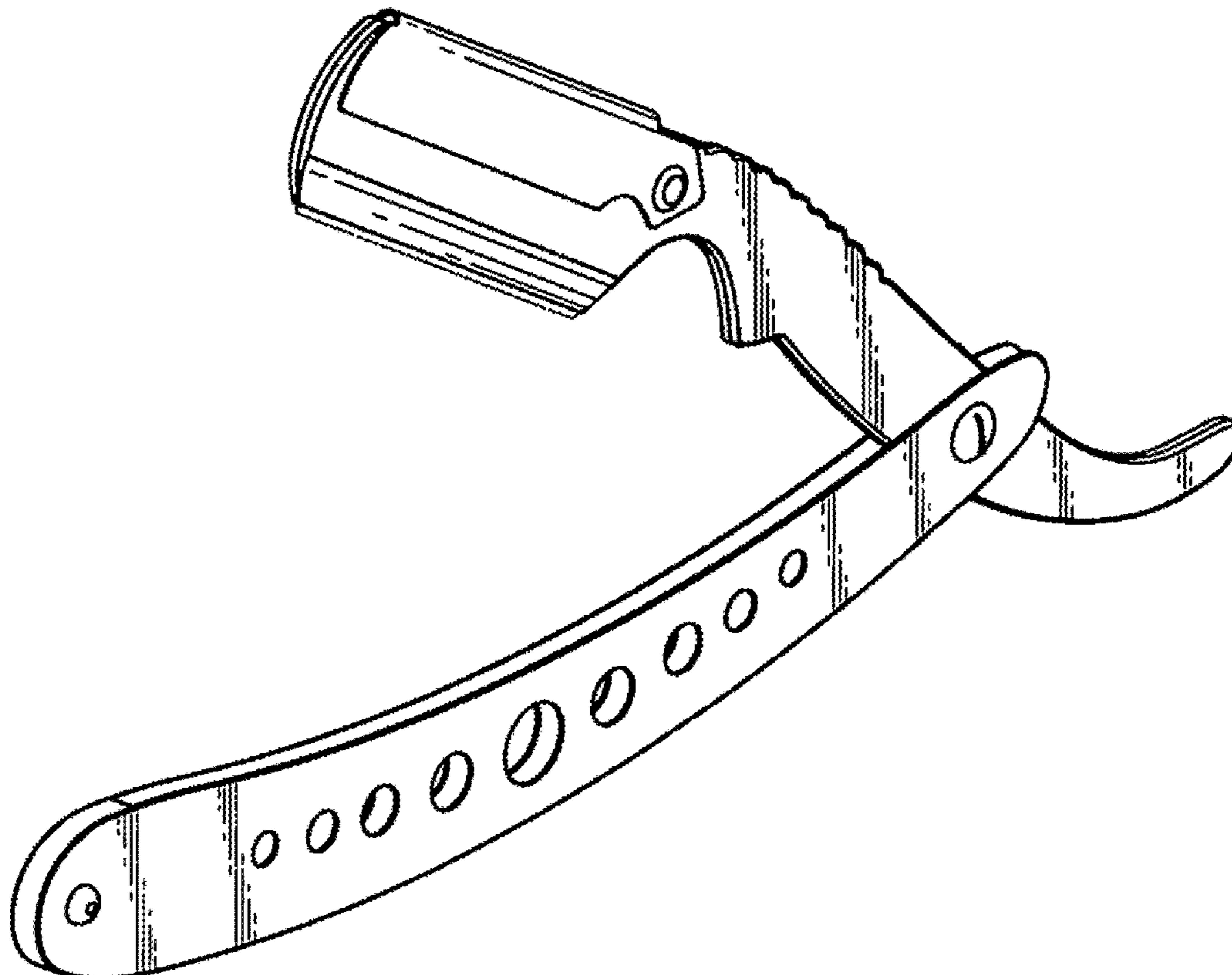
(57) **CLAIM**

I claim the ornamental design for the straight razor, as shown and described.

DESCRIPTION

FIG. 1 is a front perspective view of the straight razor shown in an open position.
 FIG. 2 is a rear perspective view thereof.
 FIG. 3 is a front elevation view thereof.
 FIG. 4 is a rear elevation view thereof.
 FIG. 5 is a top plan view thereof.
 FIG. 6 is a bottom plan view thereof.
 FIG. 7 is a left side elevation view thereof.
 FIG. 8 is a right side elevation view thereof.
 FIG. 9 is a front perspective view of the Straight Razor shown in a closed position.
 FIG. 10 is a rear perspective view thereof.
 FIG. 11 is a front elevation view thereof.
 FIG. 12 is a rear elevation view thereof.
 FIG. 13 is a top plan view thereof.
 FIG. 14 is a bottom plan view thereof.
 FIG. 15 is a left side elevation view thereof; and,
 FIG. 16 is a right side elevation view thereof.

1 Claim, 8 Drawing Sheets



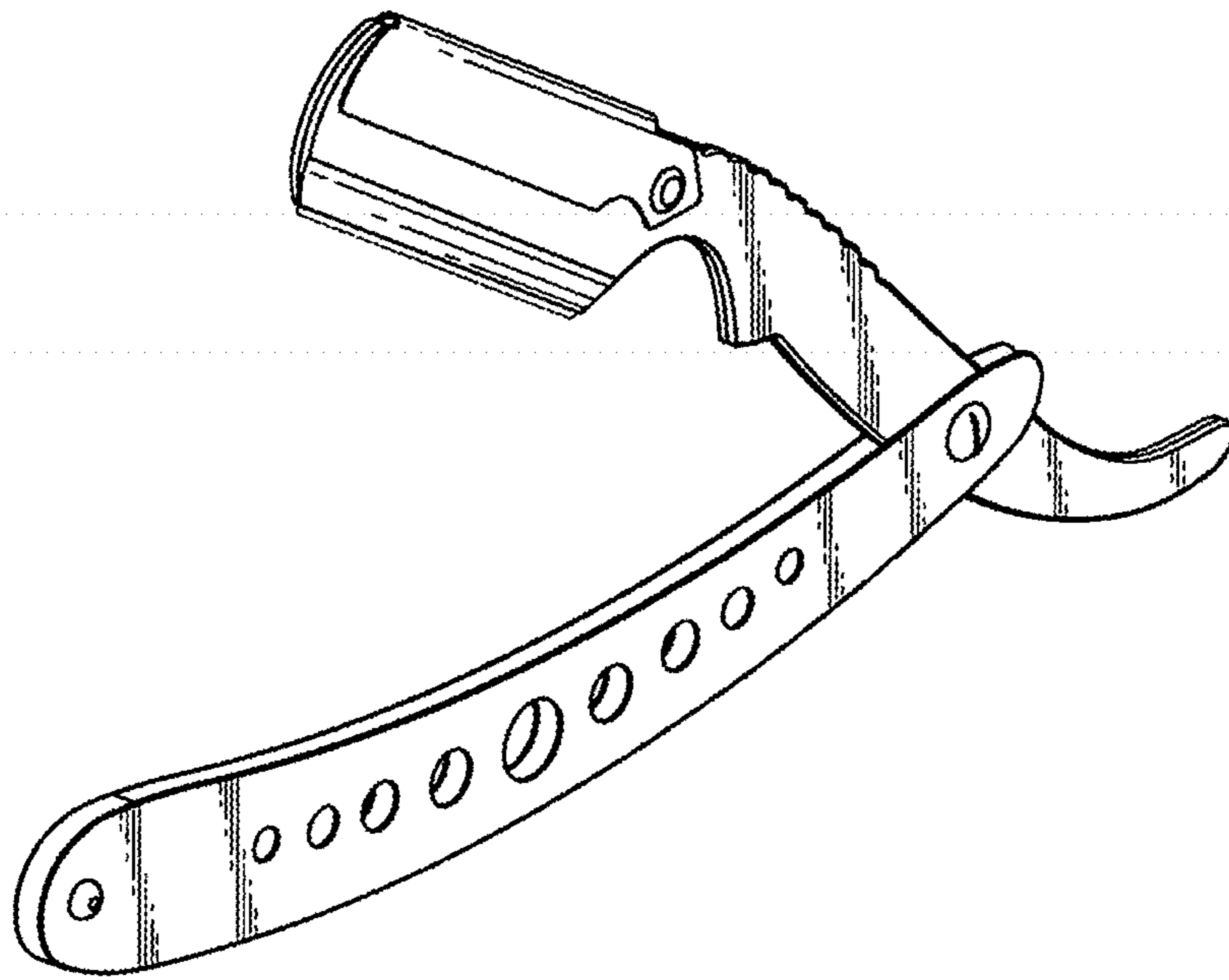


FIG. 1

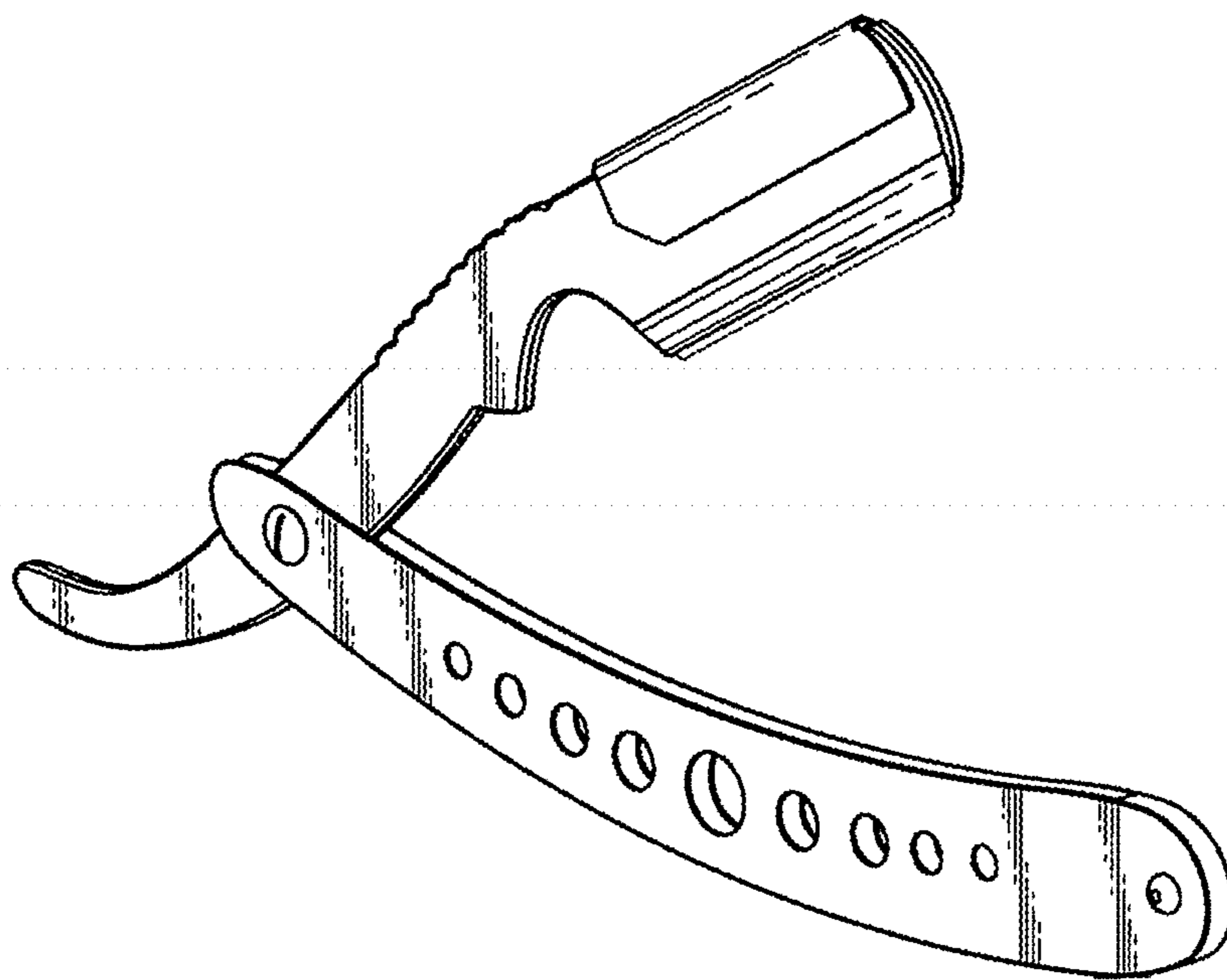


FIG. 2

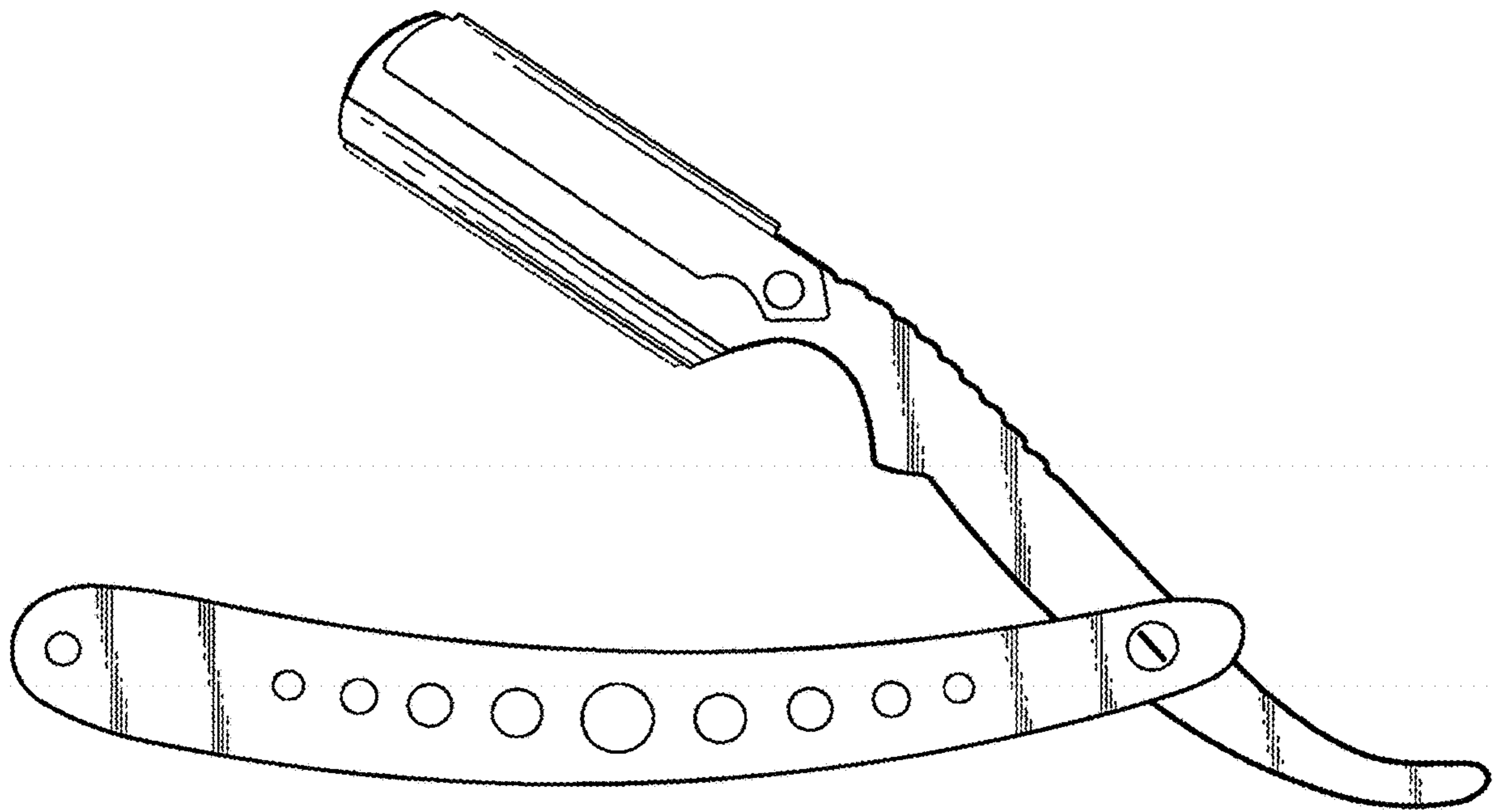


FIG. 3

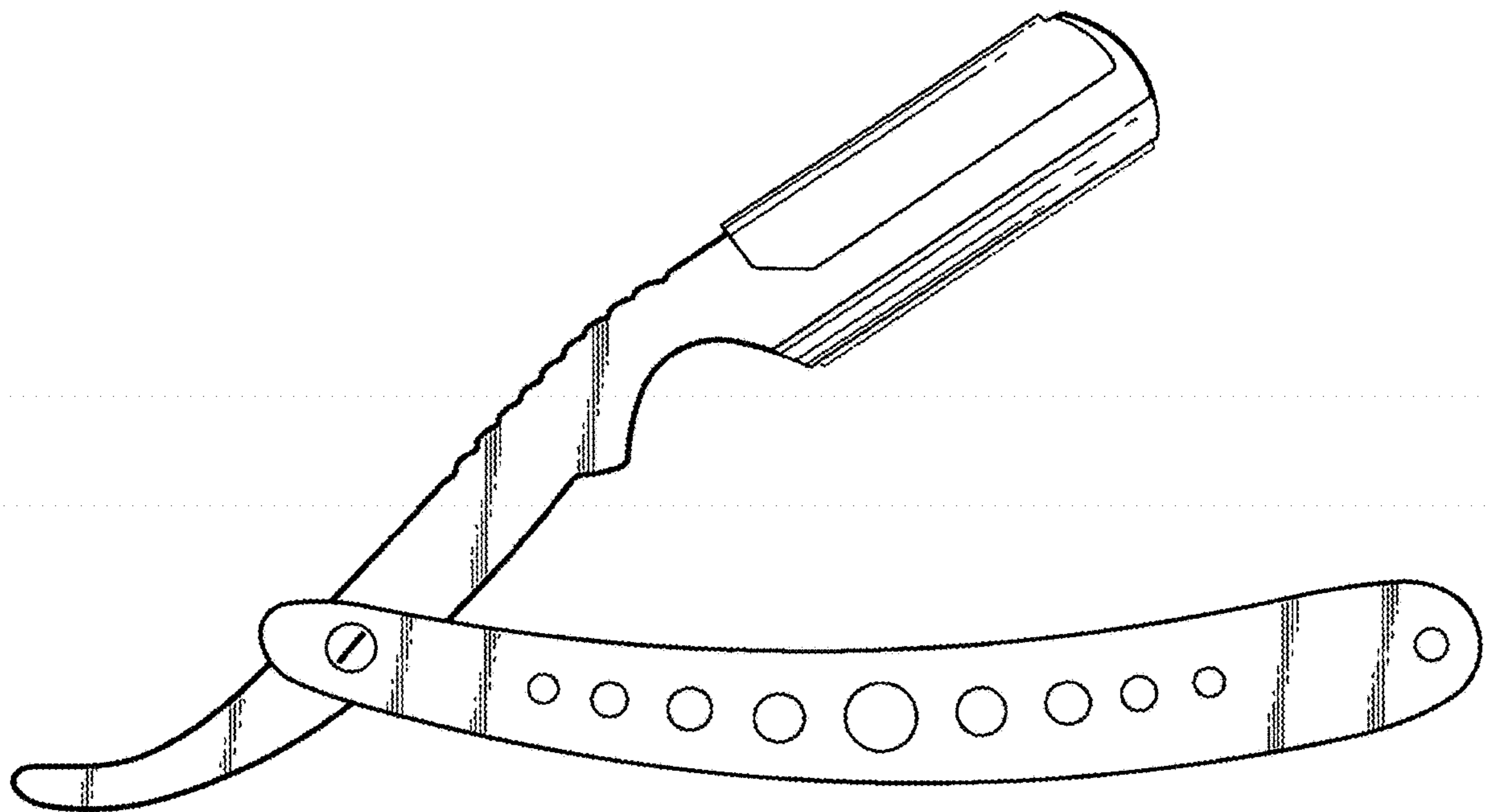


FIG. 4

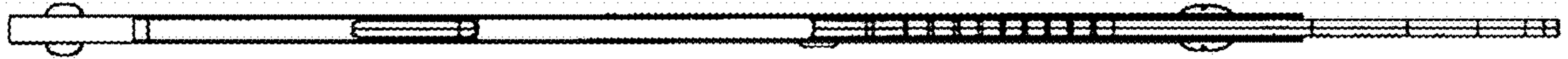


FIG. 5

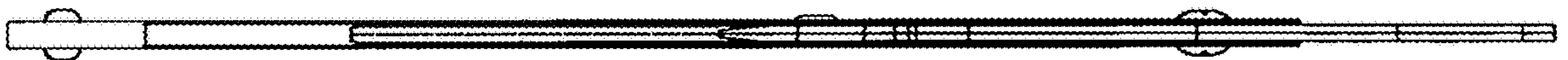


FIG. 6

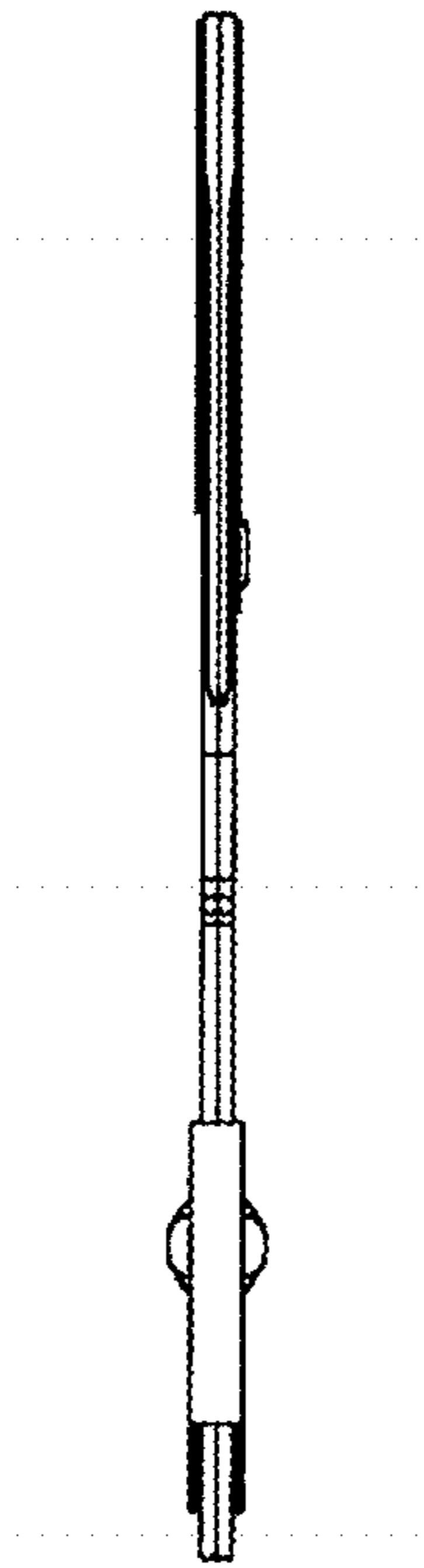


FIG. 7

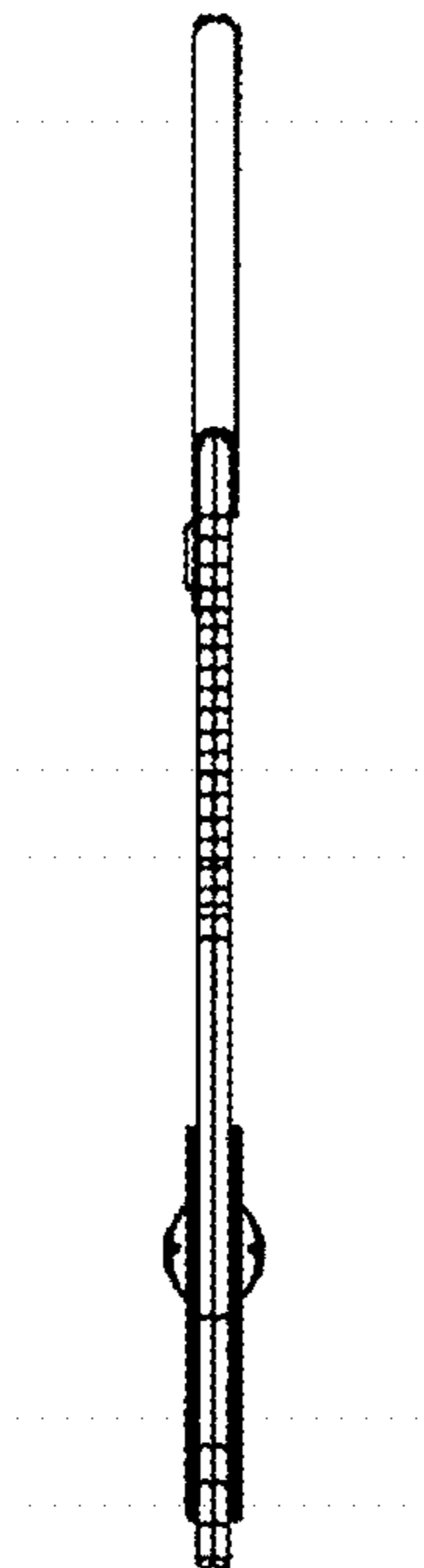


FIG. 8

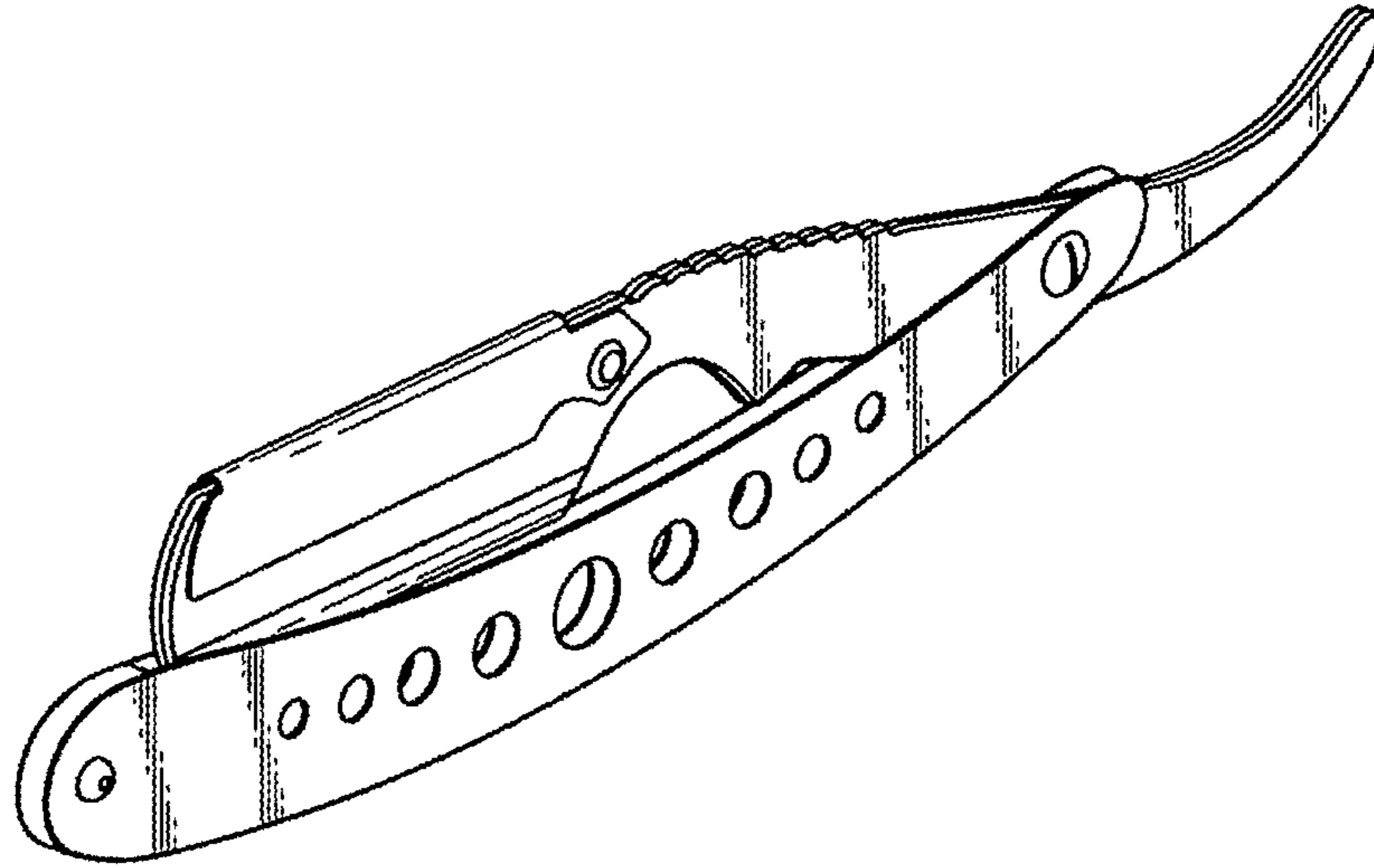


FIG. 9

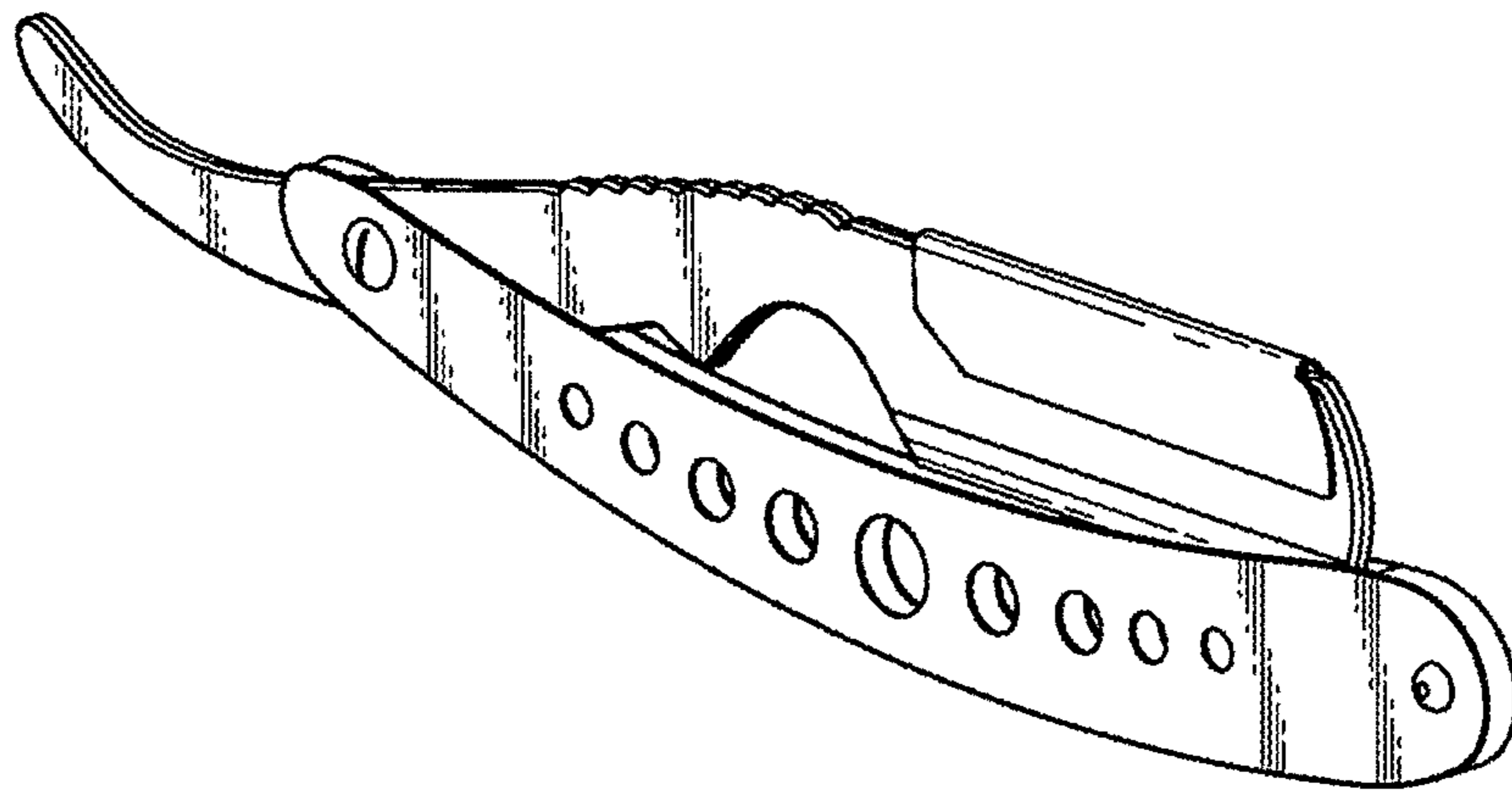


FIG. 10

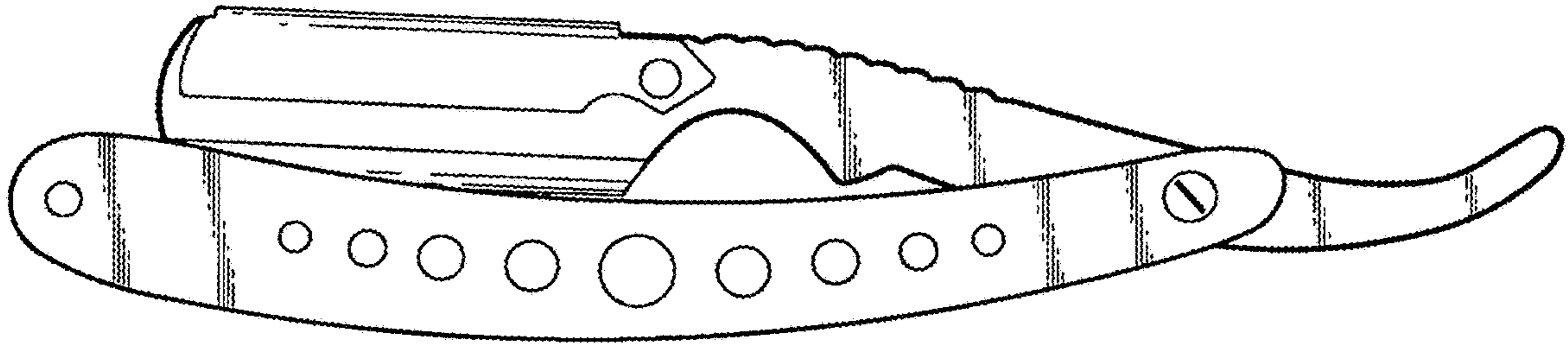


FIG. 11

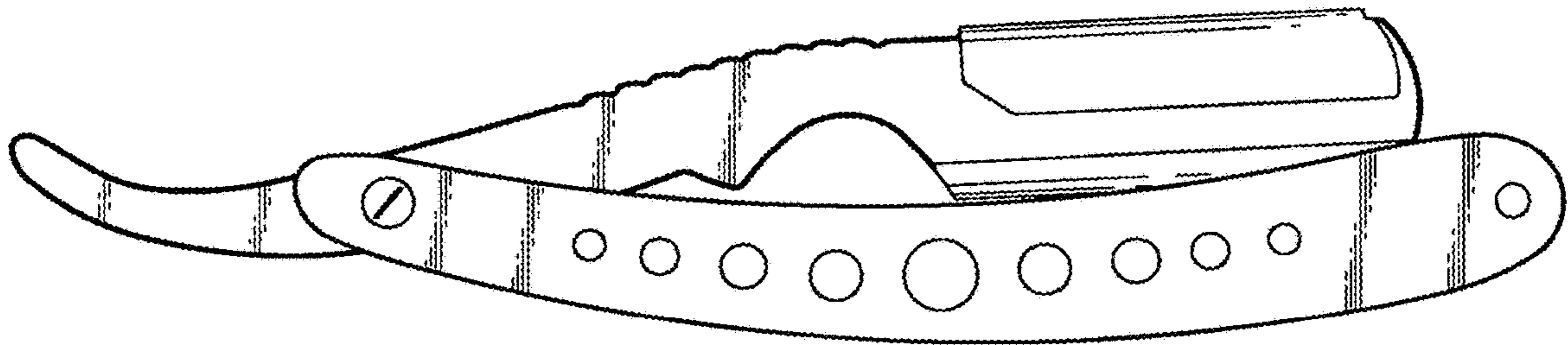


FIG. 12

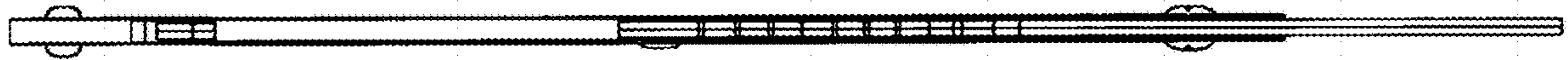


FIG. 13

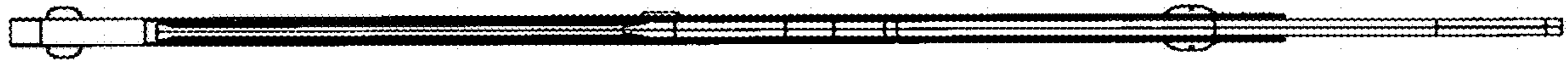


FIG. 14



FIG. 15



FIG. 16