



US00D900391S

(12) **United States Design Patent** (10) **Patent No.:** **US D900,391 S**
Ragosta (45) **Date of Patent:** **** Oct. 27, 2020**

(54) **HAIR STYLING APPARATUS**

(71) Applicant: **M.M. & R. Products, Inc.**, Calabasas, CA (US)

(72) Inventor: **Michael A. Ragosta**, Calabasas, CA (US)

(**) Term: **15 Years**

(21) Appl. No.: **29/639,936**

(22) Filed: **Mar. 9, 2018**

(51) **LOC (12) Cl.** **28-03**

(52) **U.S. Cl.**
USPC **D28/18**

(58) **Field of Classification Search**
USPC D28/18, 10, 24, 33, 25, 28, 30, 12-15, D28/21; D4/128, 127, 129, 132-134; 34/96-98; 132/120, 119.1, 118; 219/222, 225-228
CPC A45D 20/48; A45D 20/50; A45D 20/52; A45D 20/525; A45D 20/00; A45D 24/16
See application file for complete search history.

(56) **References Cited**

U.S. PATENT DOCUMENTS

3,563,250	A	2/1971	DeFalandre	
3,939,850	A	2/1976	Wahl	
4,205,221	A	5/1980	Meyer	
4,538,362	A	9/1985	Andis	
4,629,863	A	12/1986	Giordano	
5,316,025	A	5/1994	Sahm	
D386,816	S *	11/1997	Seifert D28/18
5,894,849	A	4/1999	Ehlhardt et al.	

(Continued)

FOREIGN PATENT DOCUMENTS

EP	1 587 392	B1	9/2007
FR	2888095	A1	12/2007

(Continued)

OTHER PUBLICATIONS

International Search Report dated Jan. 31, 2014, for application No. PCT/US2013/056427, filed Aug. 23, 2013, 8 pages.

Primary Examiner — Marissa J Cash
Assistant Examiner — Rebecca Tsehaye

(74) *Attorney, Agent, or Firm* — Laura M. King; Matrix Law Group, LLP

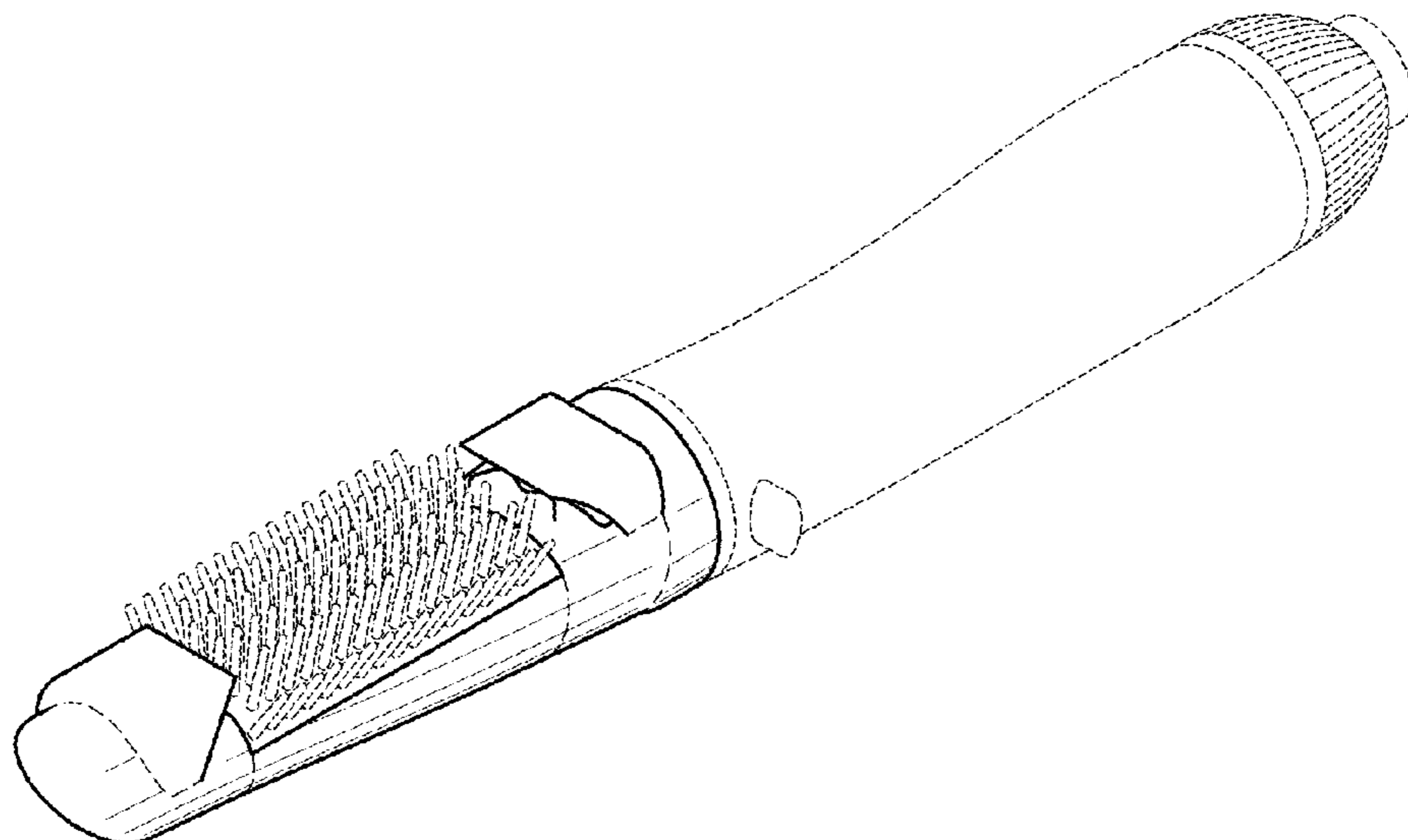
(57) **CLAIM**

The ornamental design for a hair styling apparatus, as shown and described.

DESCRIPTION

FIG. 1 is a front, top, and left side perspective view of the hair styling apparatus shown removed from environment; FIG. 2 is a bottom plan view thereof; FIG. 3 is a front elevation view thereof; FIG. 4 is a rear elevation view thereof; FIG. 5 is a left side elevation view thereof; FIG. 6 is a bottom and left side perspective view thereof; FIG. 7 is a top plan view thereof; FIG. 8 is a rear, top, and left side perspective view thereof; FIG. 9 is a front, top, and left side perspective view of the hair styling apparatus shown in an environment of use; FIG. 10 is a bottom plan view thereof; FIG. 11 is a front elevation view thereof; FIG. 12 is a rear elevation view thereof; FIG. 13 is a left side elevation view thereof; FIG. 14 is a bottom and left side perspective view thereof; FIG. 15 is a top plan view thereof; and, FIG. 16 is a rear, top, and left side perspective view thereof. The broken lines in the drawings depict portions of the hair styling apparatus that form no part of the claimed design.

1 Claim, 8 Drawing Sheets



(56)

References Cited

U.S. PATENT DOCUMENTS

D409,796 S * 5/1999 Moreno D28/18
 5,956,863 A 9/1999 Allen
 D426,674 S 6/2000 Kwong
 6,199,295 B1 3/2001 Smal et al.
 D440,354 S 4/2001 Kwong
 D448,115 S * 9/2001 White D28/18
 D465,611 S * 11/2002 Tobin D28/18
 D476,443 S * 6/2003 Ohta D28/18
 7,152,610 B2 12/2006 Csavas
 D556,948 S * 12/2007 Leung D28/35
 7,481,228 B2 * 1/2009 Ragosta A45D 1/04
 132/238
 7,631,646 B2 1/2009 Ragosta et al.
 D650,942 S * 12/2011 Choi D28/35
 D656,739 S * 4/2012 Edmondson D4/128
 D678,609 S * 3/2013 Ragosta D28/35
 8,881,423 B2 11/2014 Ragosta et al.
 D776,345 S * 1/2017 Tang D28/13
 D804,828 S * 12/2017 Gulamani D4/133

D807,646 S * 1/2018 Rennette D4/128
 10,028,574 B2 * 7/2018 Rennette A46B 9/023
 10,085,537 B2 * 10/2018 Maclaine A45D 20/10
 D885,661 S * 5/2020 Kan D28/13
 D885,662 S * 5/2020 Kan D28/13
 D885,663 S * 5/2020 Flynn D28/13
 2002/0189128 A1 12/2002 Nakagawa et al.
 2003/0052115 A1 * 3/2003 Leung A45D 20/50
 219/222
 2005/0257395 A1 11/2005 Keong
 2009/0126757 A1 * 5/2009 Marino A45D 1/10
 132/211
 2011/0277335 A1 11/2011 Prehodka
 2012/0291301 A1 11/2012 Silva
 2012/0311882 A1 12/2012 Yoe

FOREIGN PATENT DOCUMENTS

WO WO2007003795 A2 1/2007
 WO WO2011094830 A1 8/2011

* cited by examiner

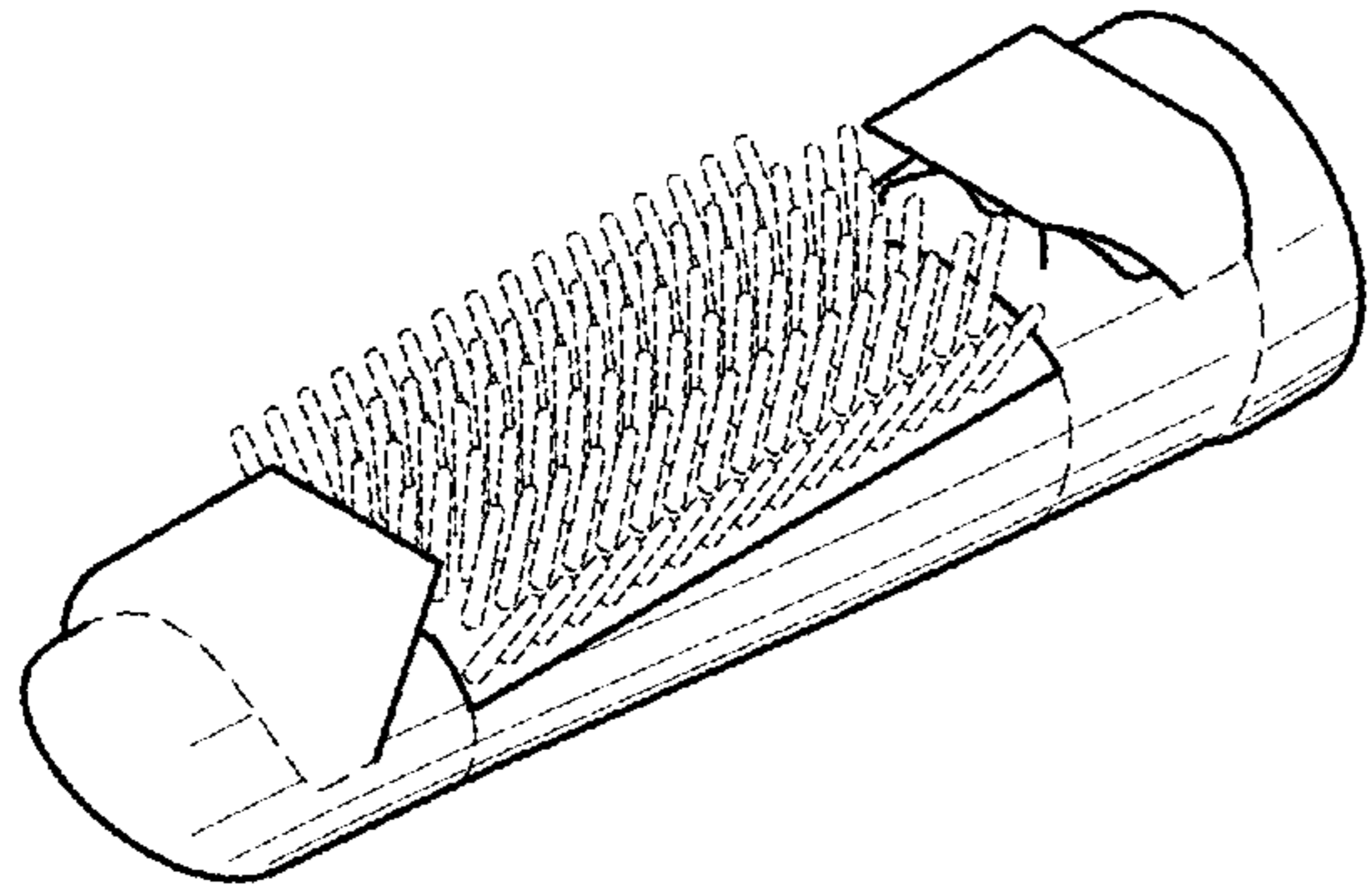


FIG. 1

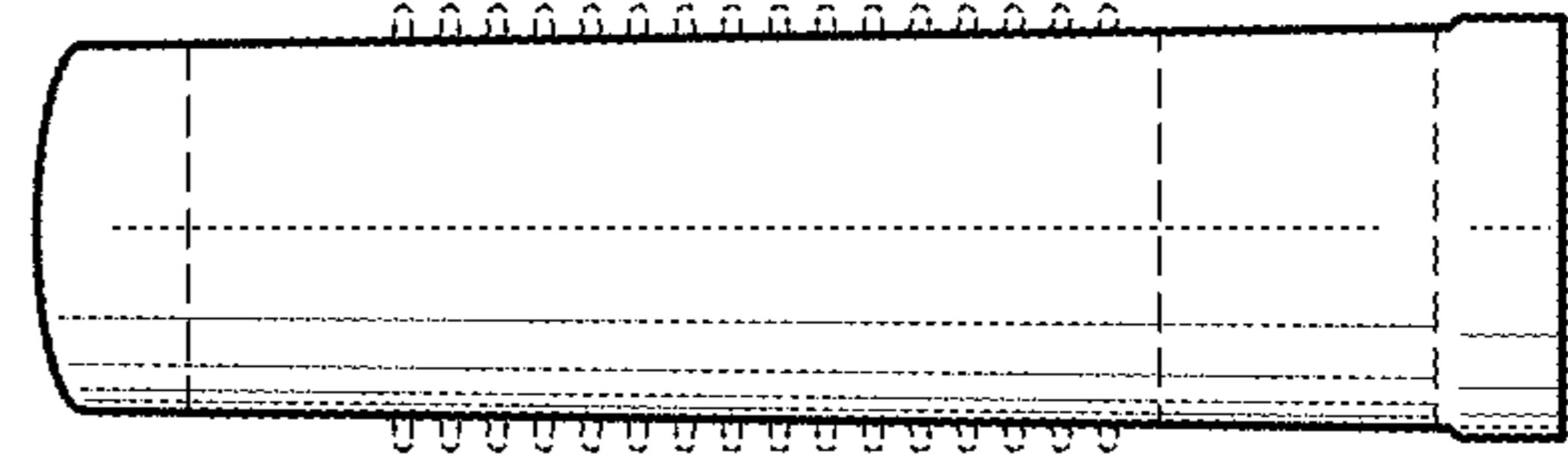


FIG. 2

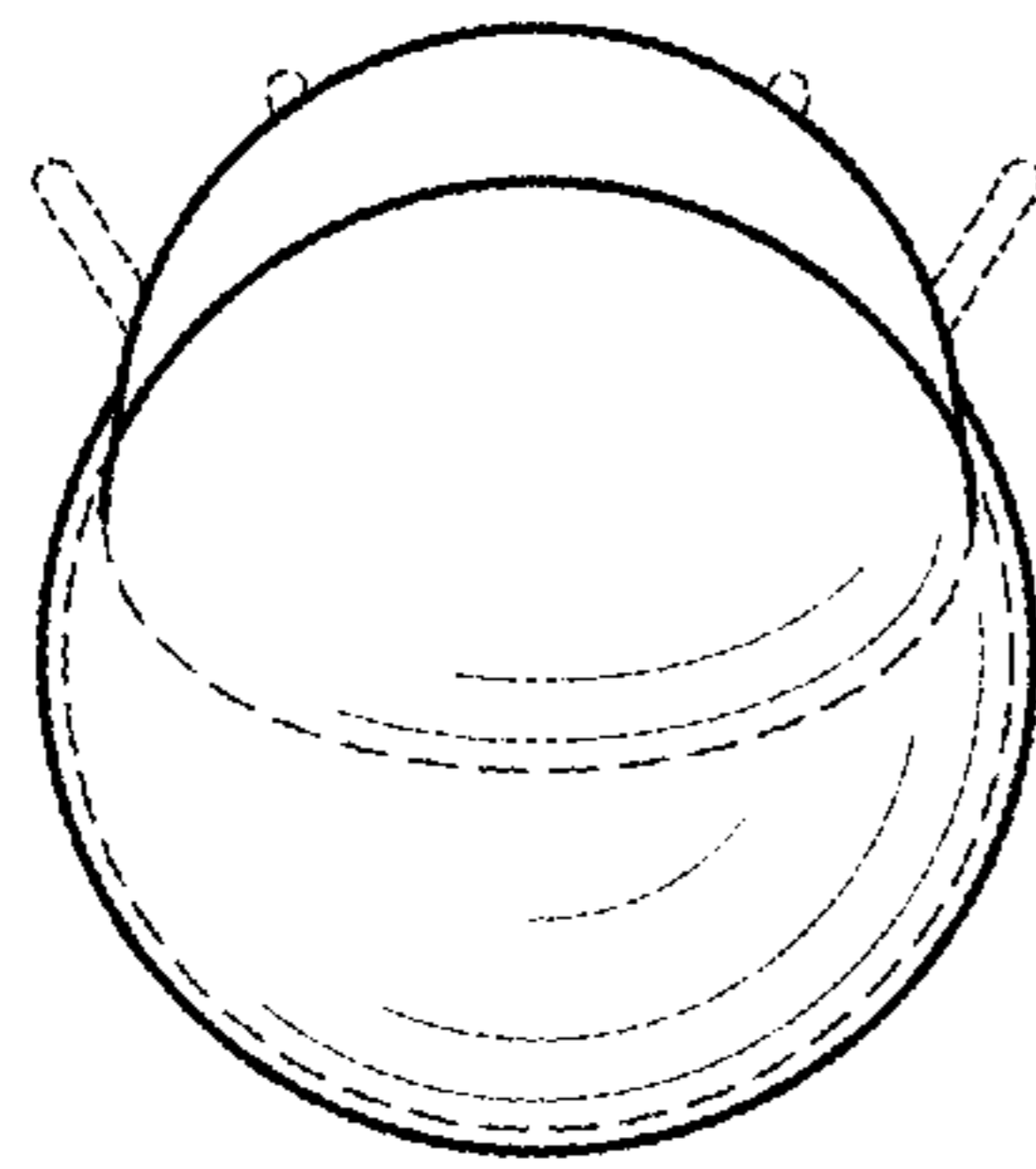


FIG. 3

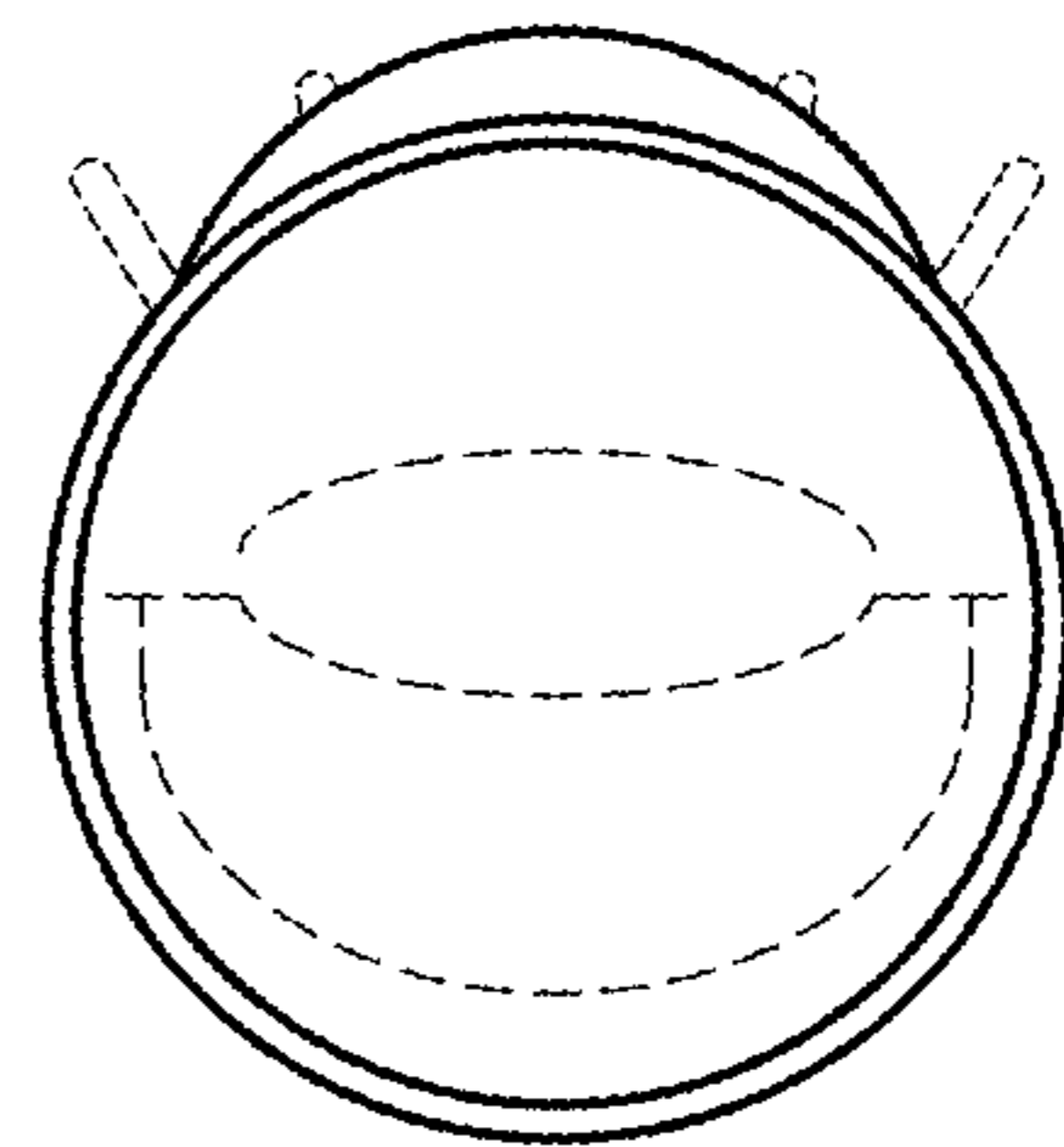


FIG. 4

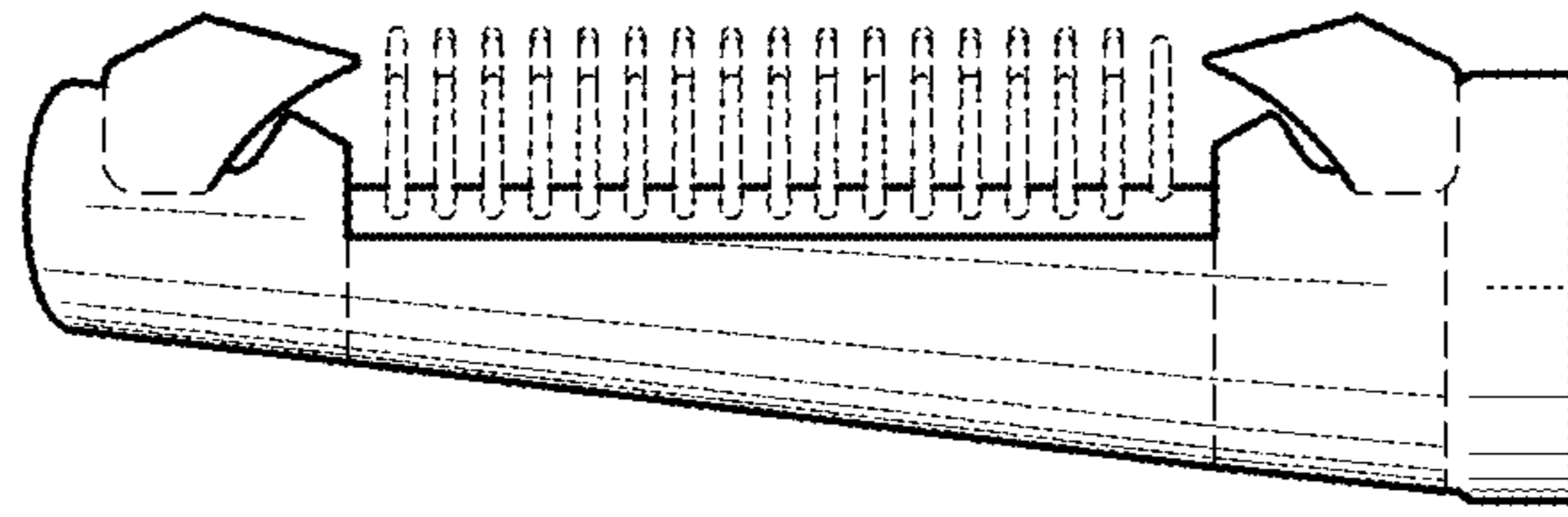


FIG. 5

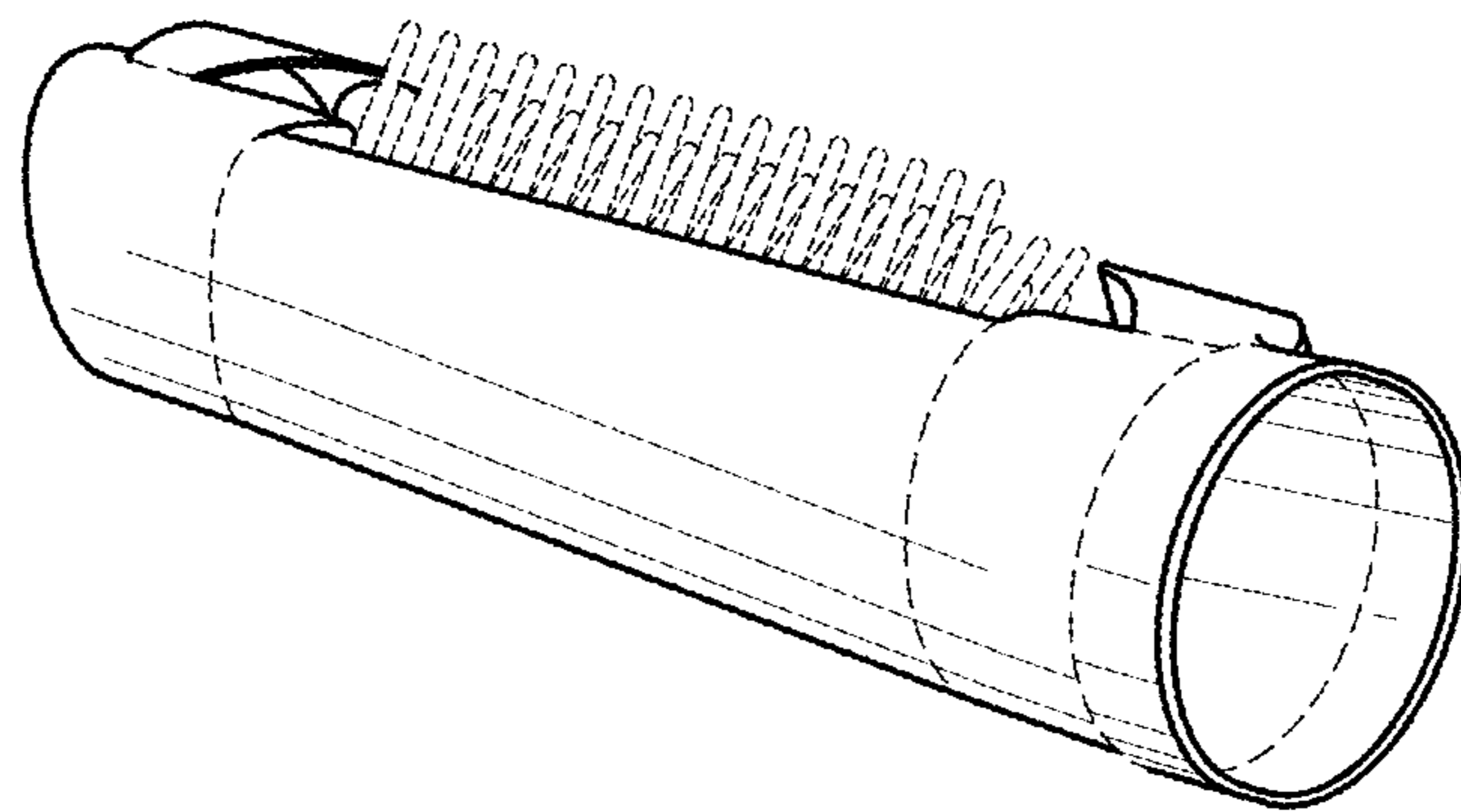


FIG. 6

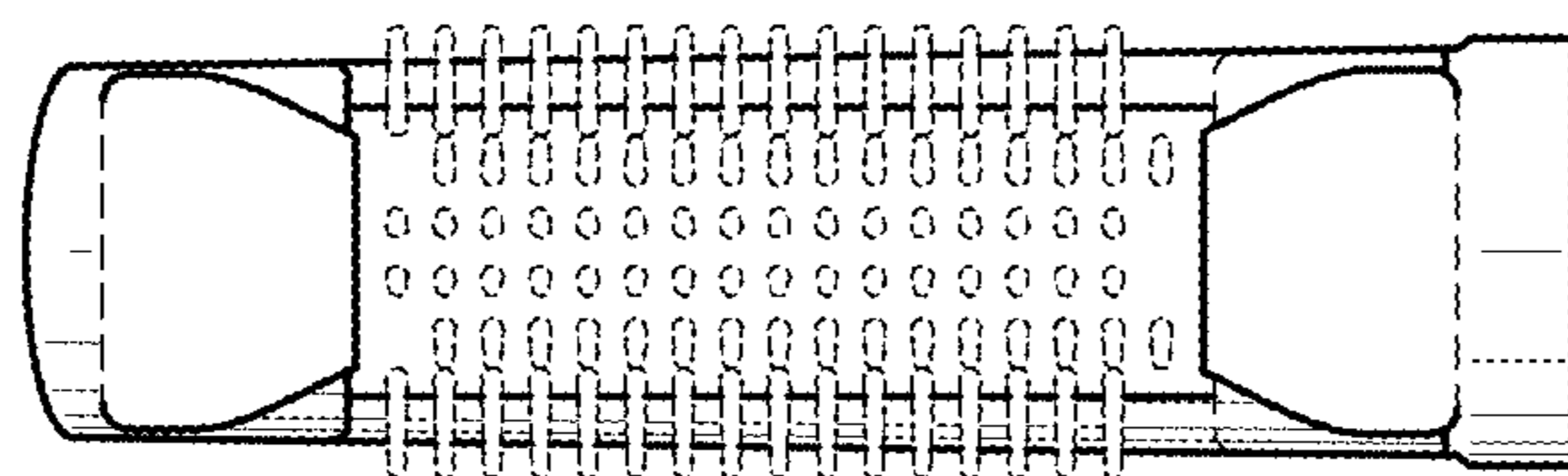


FIG. 7

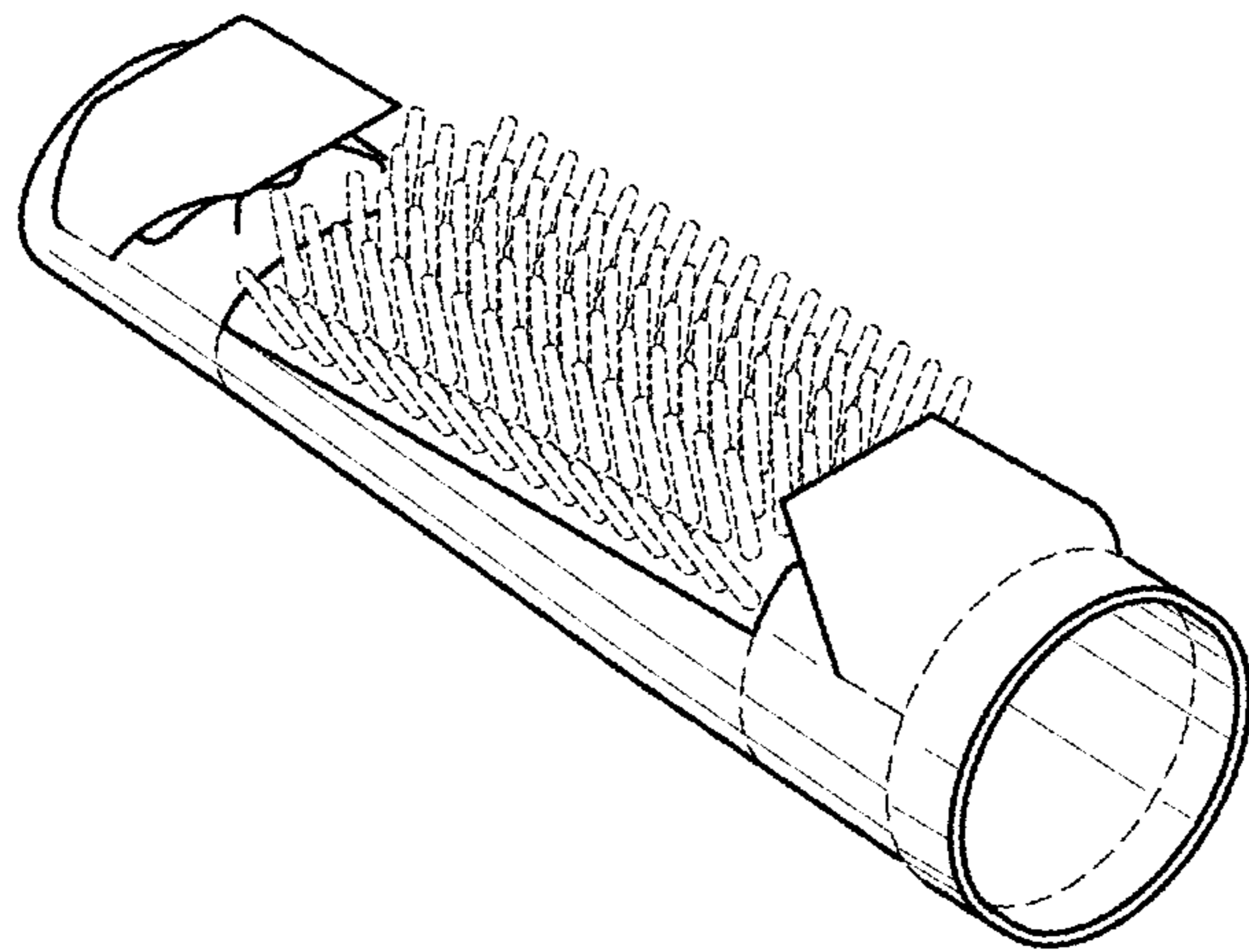


FIG. 8

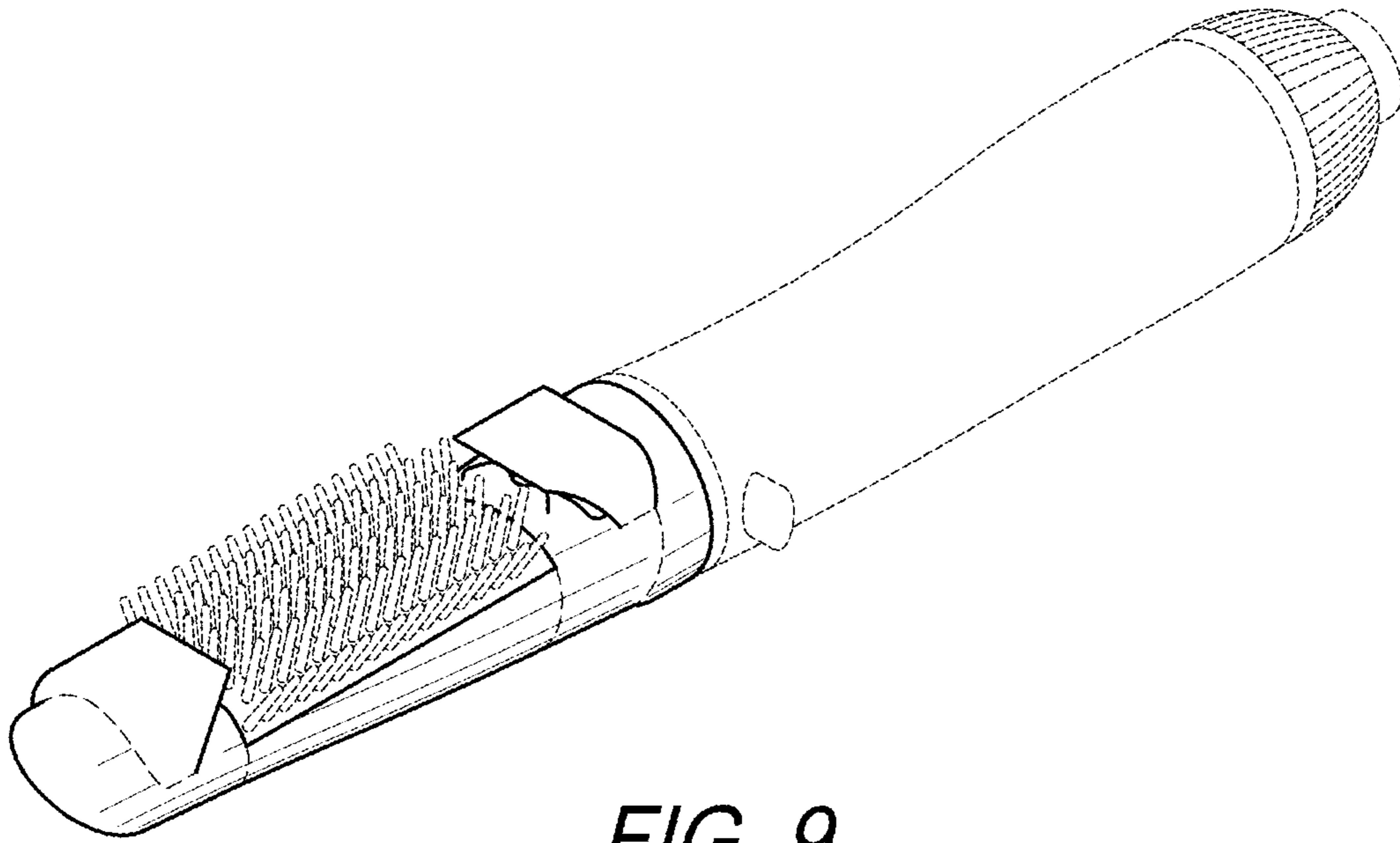


FIG. 9

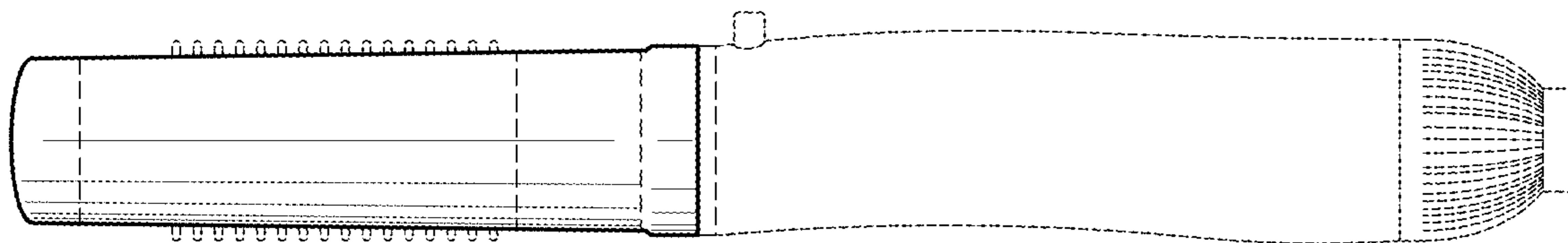


FIG. 10

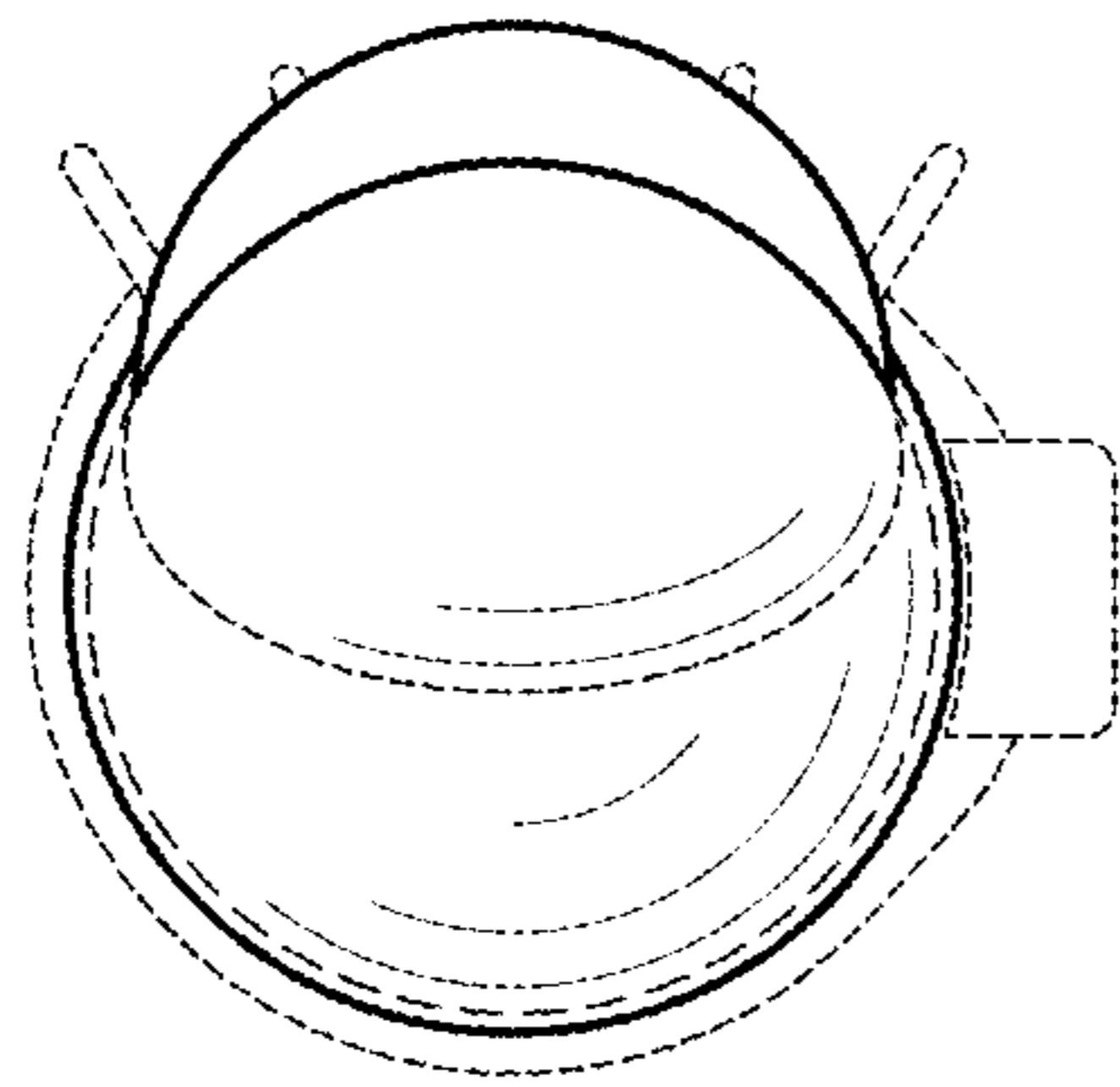


FIG. 11

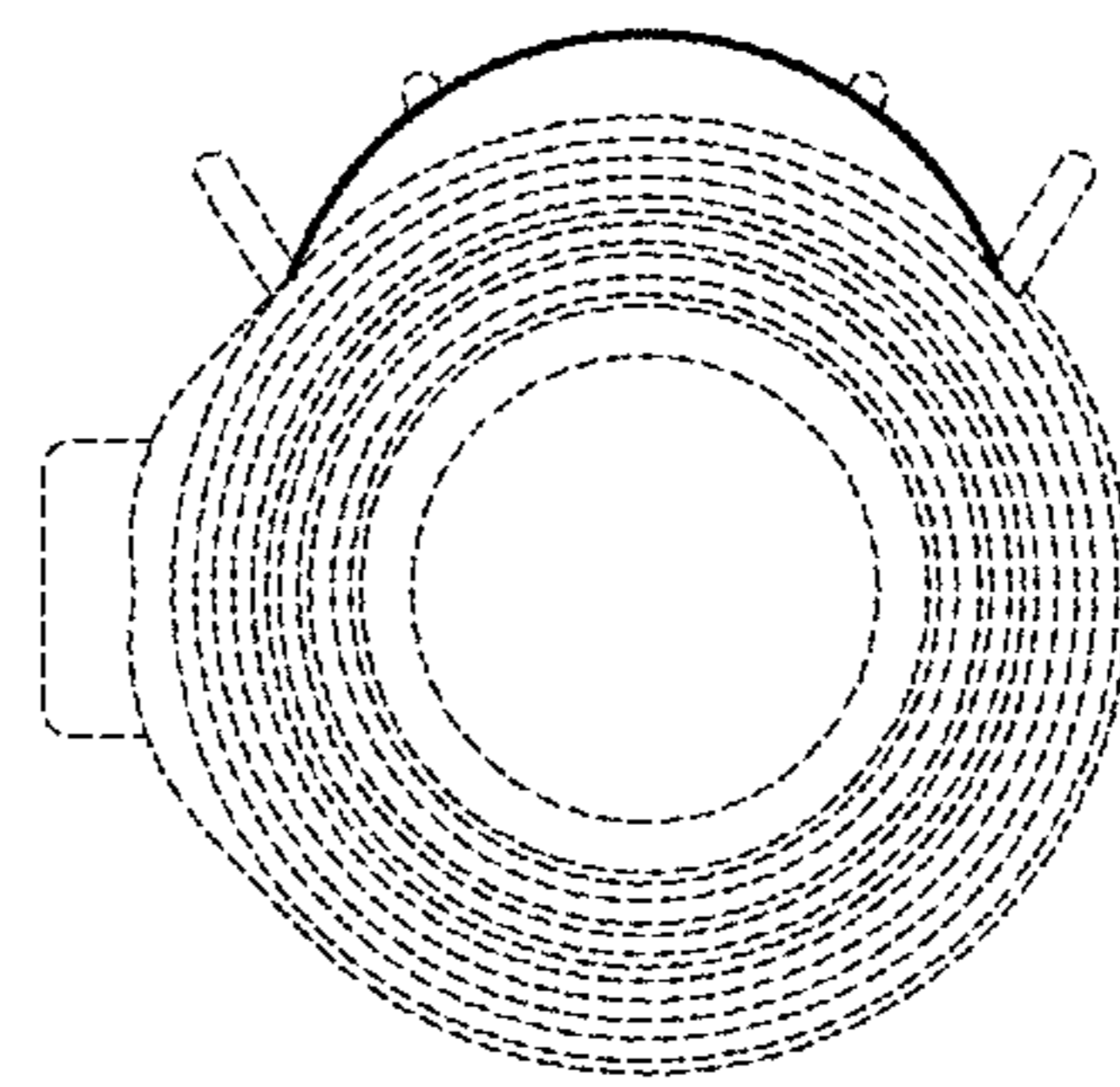


FIG. 12

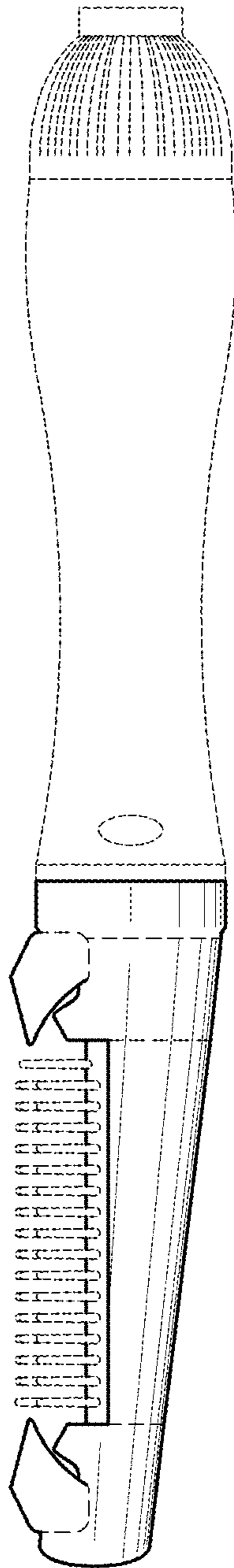


FIG. 13

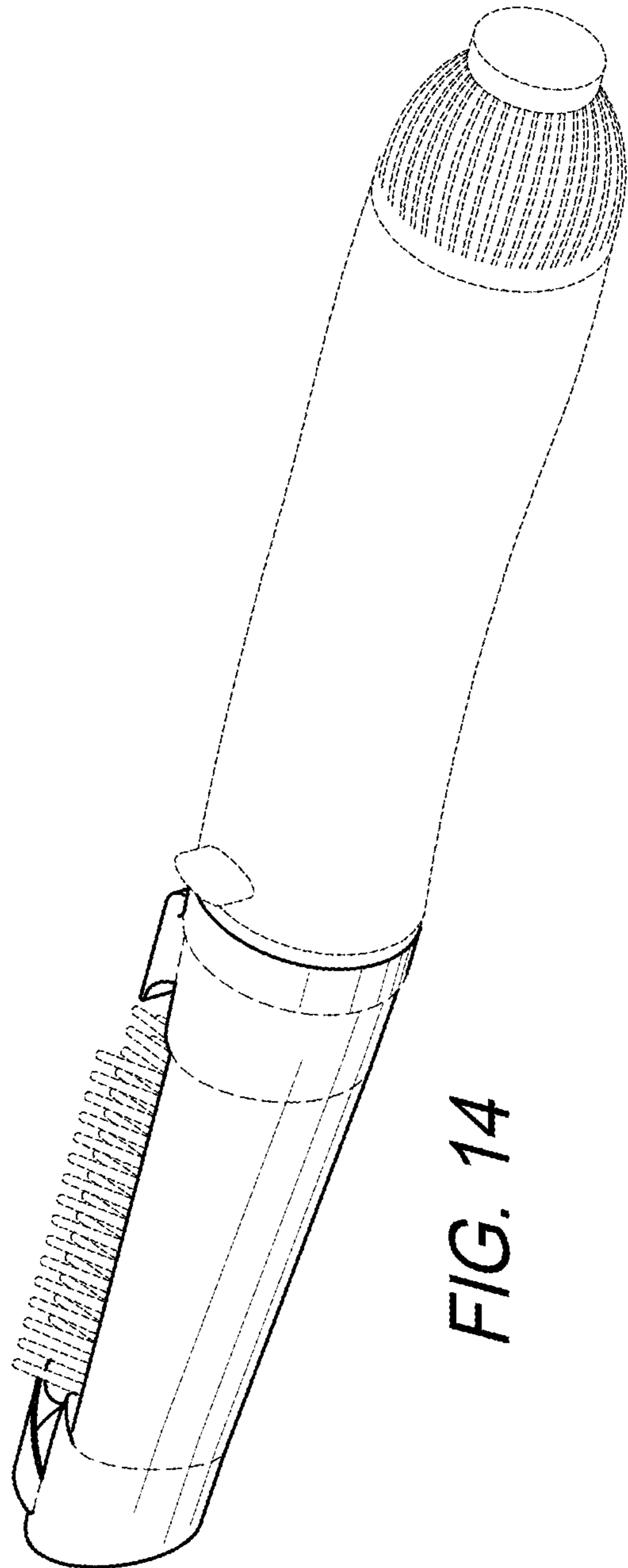


FIG. 14

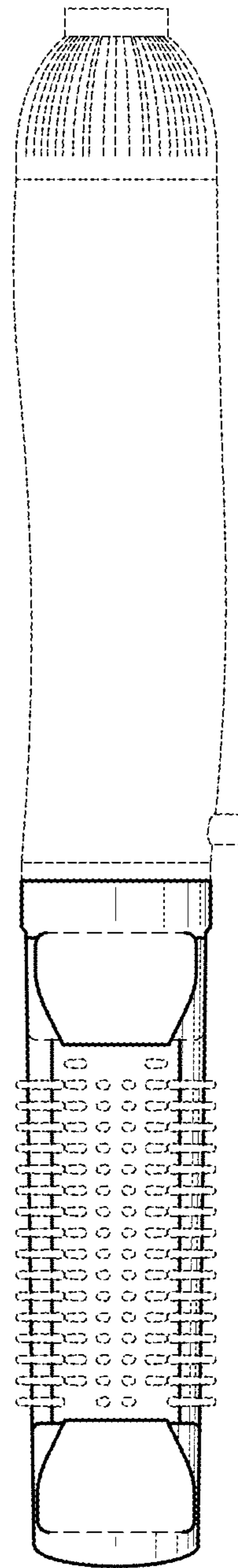


FIG. 15

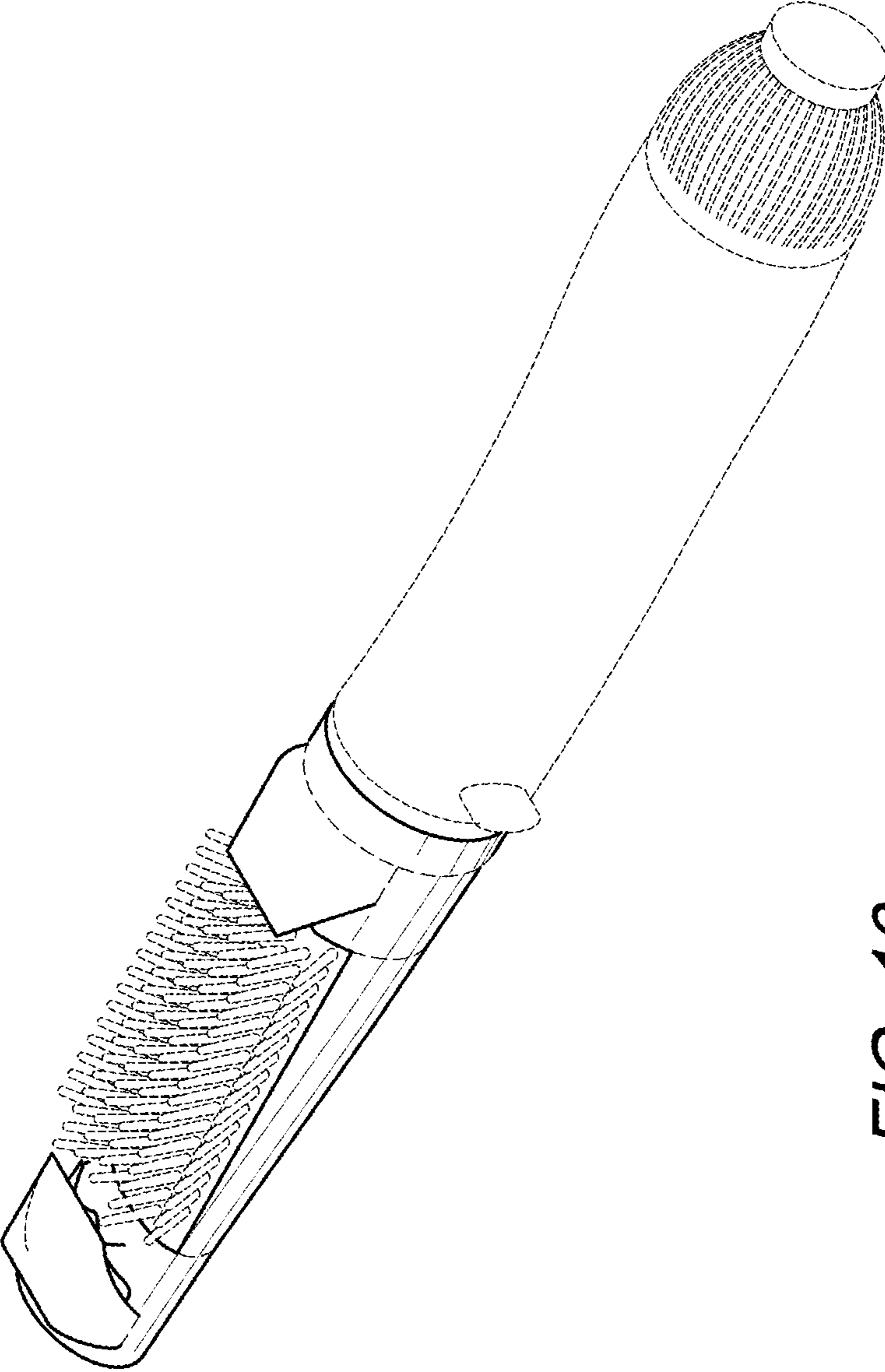


FIG. 16