



US00D900390S

(12) **United States Design Patent**
Go

(10) **Patent No.:** **US D900,390 S**

(45) **Date of Patent:** **** Oct. 27, 2020**

(54) **HAIR DRYER**

(71) Applicant: **SHAPL INC.**, Seoul (KR)

(72) Inventor: **Jeong Jin Go**, Seoul (KR)

(73) Assignee: **SHAPL INC.**, Seoul (KR)

(**) Term: **15 Years**

(21) Appl. No.: **29/697,819**

(22) Filed: **Jul. 11, 2019**

(30) **Foreign Application Priority Data**

May 2, 2019 (KR) 30-2019-0020908

(51) **LOC (12) Cl.** **28-03**

(52) **U.S. Cl.**
USPC **D28/13**

(58) **Field of Classification Search**
USPC D28/12-19
CPC A45D 20/04; A45D 20/06; A45D 20/08;
A45D 20/10; A45D 20/128
See application file for complete search history.

(56) **References Cited**

U.S. PATENT DOCUMENTS

D250,722 S *	1/1979	Cousins	D28/13
D251,989 S *	5/1979	Rizzuto	D28/13
D253,012 S *	9/1979	Rakocy	D28/13
D254,328 S *	2/1980	Benty	D28/13
D254,451 S *	3/1980	Battaglia	D28/13
D257,067 S *	9/1980	Muller	D28/13
D257,492 S *	11/1980	Cousins	D28/13
D262,060 S *	11/1981	Nagelkerke	D28/13

D262,061 S *	11/1981	Janssens	D28/13
D299,976 S *	2/1989	Elkerbout	D28/13
5,279,048 A *	1/1994	Lawall	A45D 20/12 34/90

* cited by examiner

Primary Examiner — Zenia I Bennett

(74) *Attorney, Agent, or Firm* — Rabin & Berdo, P.C.

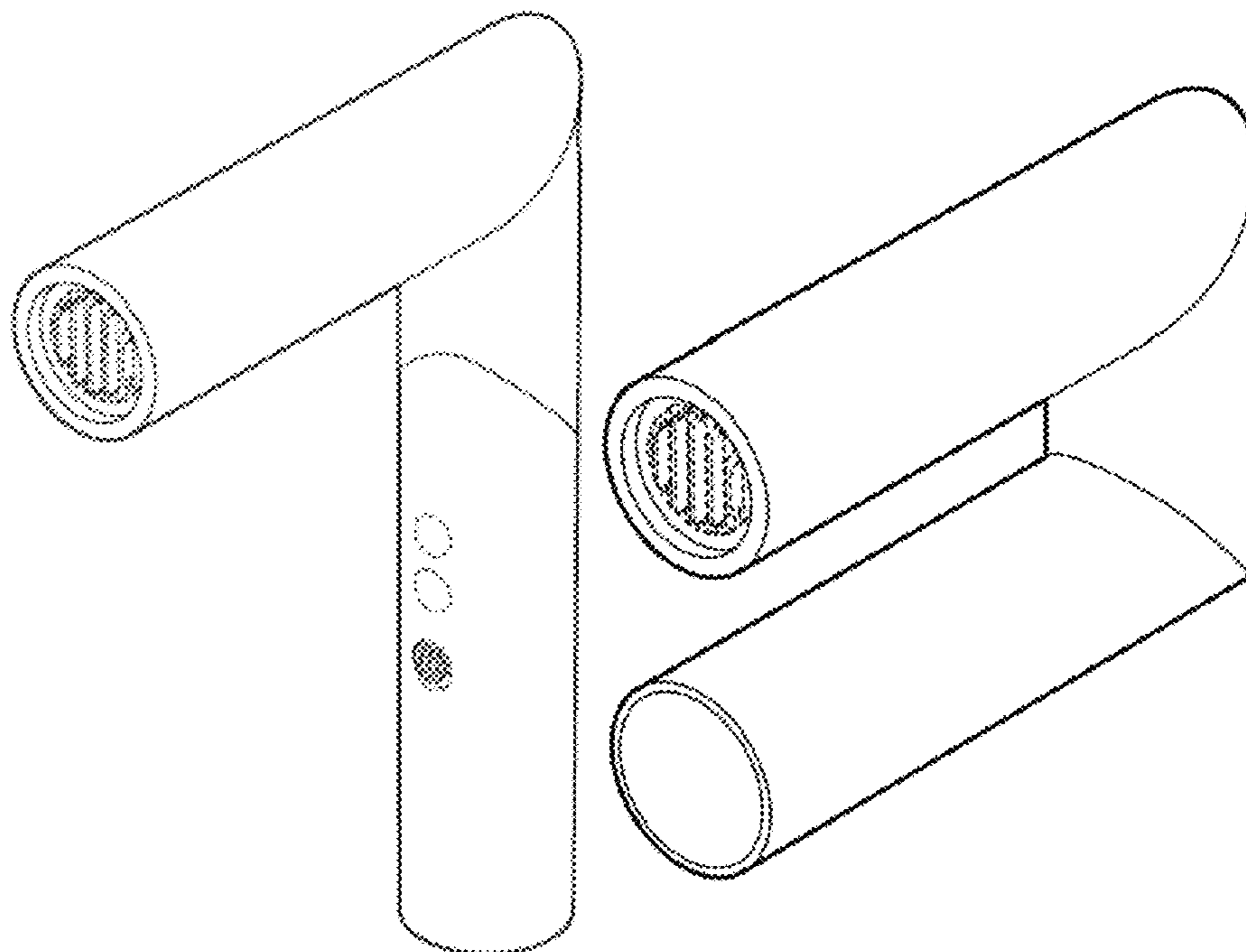
(57) **CLAIM**

The ornamental design for a hair dryer, as shown and described.

DESCRIPTION

FIG. 1 is a front, right perspective view of a hair dryer showing my new design;
 FIG. 2 is a front elevational view thereof;
 FIG. 3 is a rear elevational view thereof;
 FIG. 4 is a left side elevational view thereof;
 FIG. 5 is a right side elevational view thereof;
 FIG. 6 is a top view thereof;
 FIG. 7 is a bottom view thereof;
 FIG. 8 is a rear right perspective view thereof;
 FIG. 9 is a front right perspective view thereof when a lower part of the hair dryer is folded;
 FIG. 10 is a front elevational view of FIG. 9;
 FIG. 11 is a rear elevational view of FIG. 9;
 FIG. 12 is a left elevational view of FIG. 9;
 FIG. 13 is a right elevational view of FIG. 9;
 FIG. 14 is a top elevational view of FIG. 9;
 FIG. 15 is a bottom elevational view of FIG. 9;
 FIG. 16 is a rear right perspective view thereof when the lower part of the hair dryer is folded; and,
 FIGS. 17-21 are perspective views thereof in use in a folded state or an unfolded state.

1 Claim, 19 Drawing Sheets



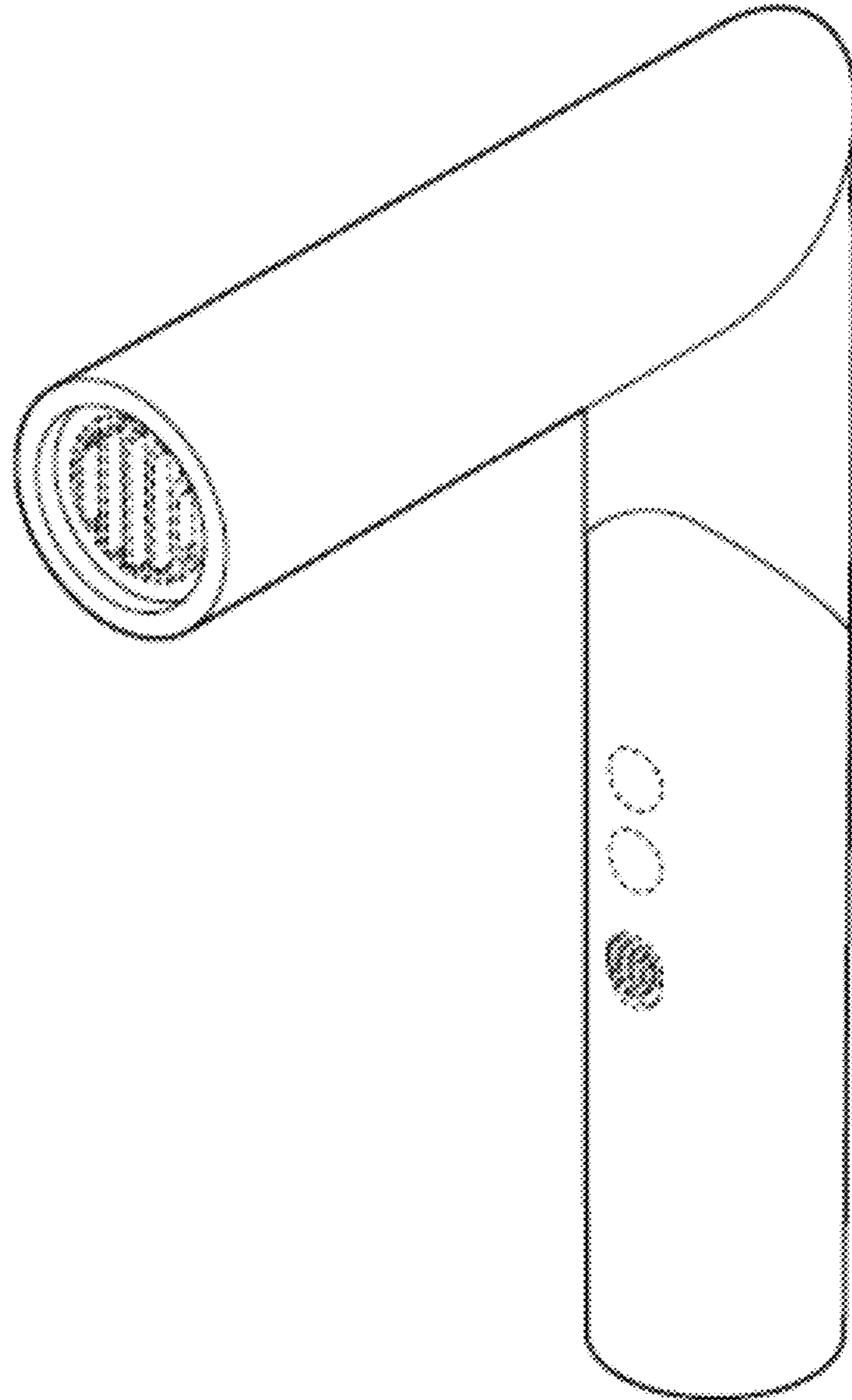


FIG. 1

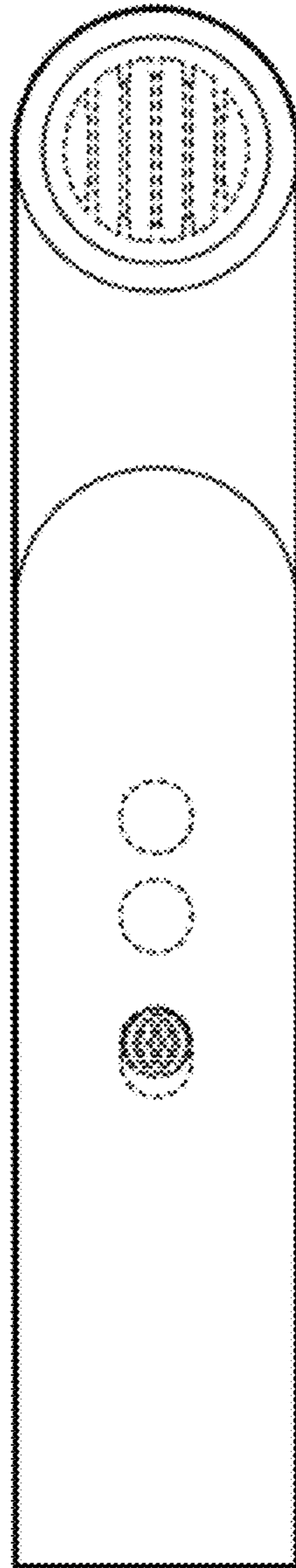


FIG. 2

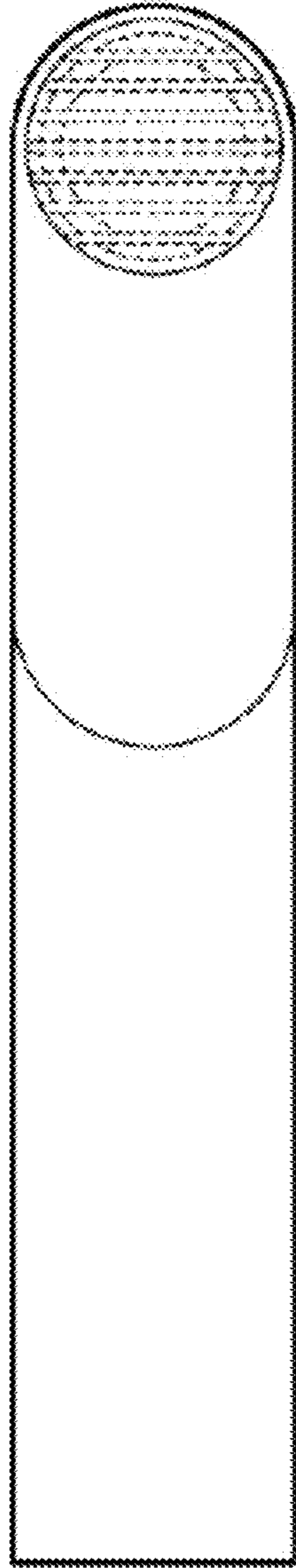


FIG. 3

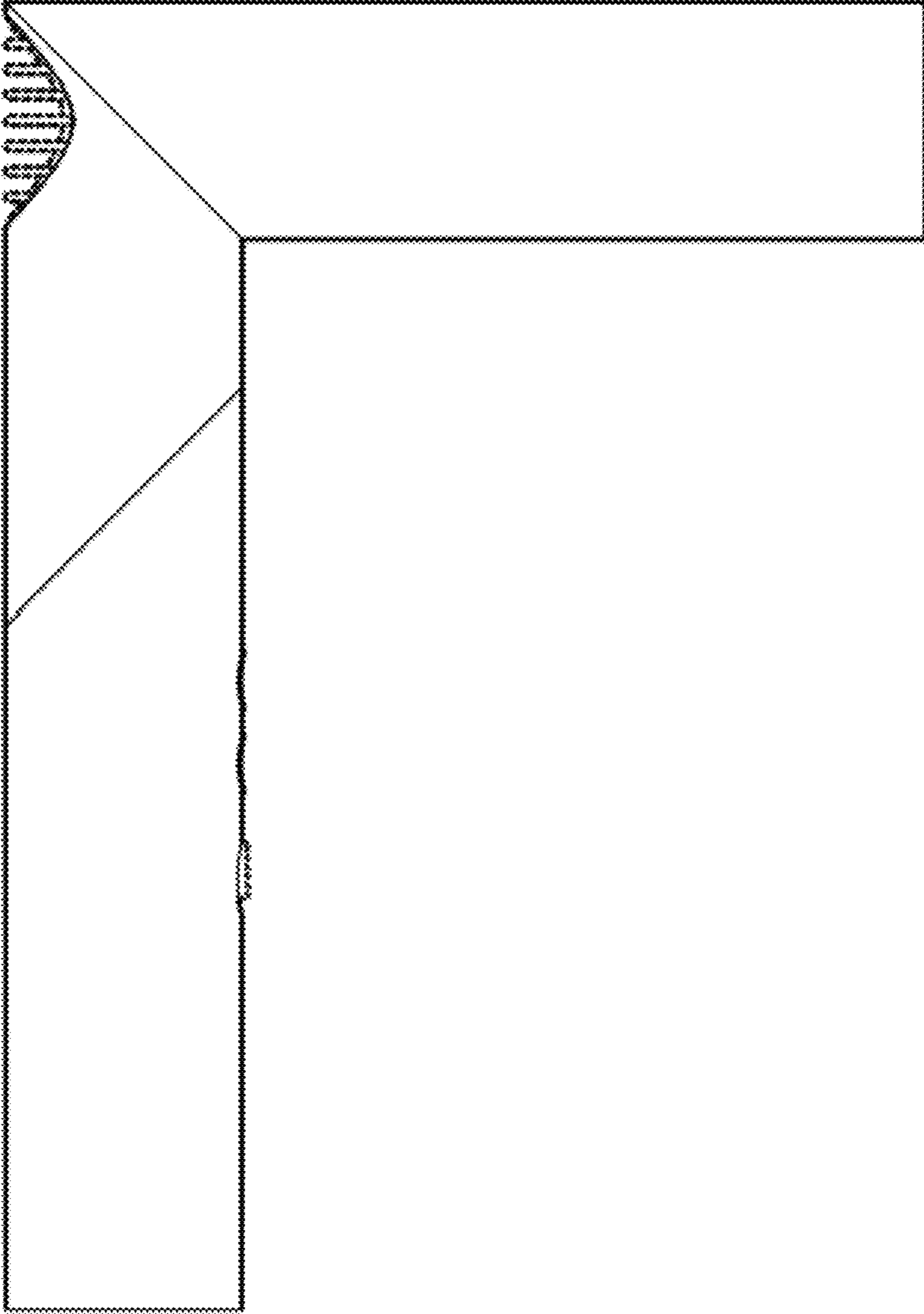


FIG. 4

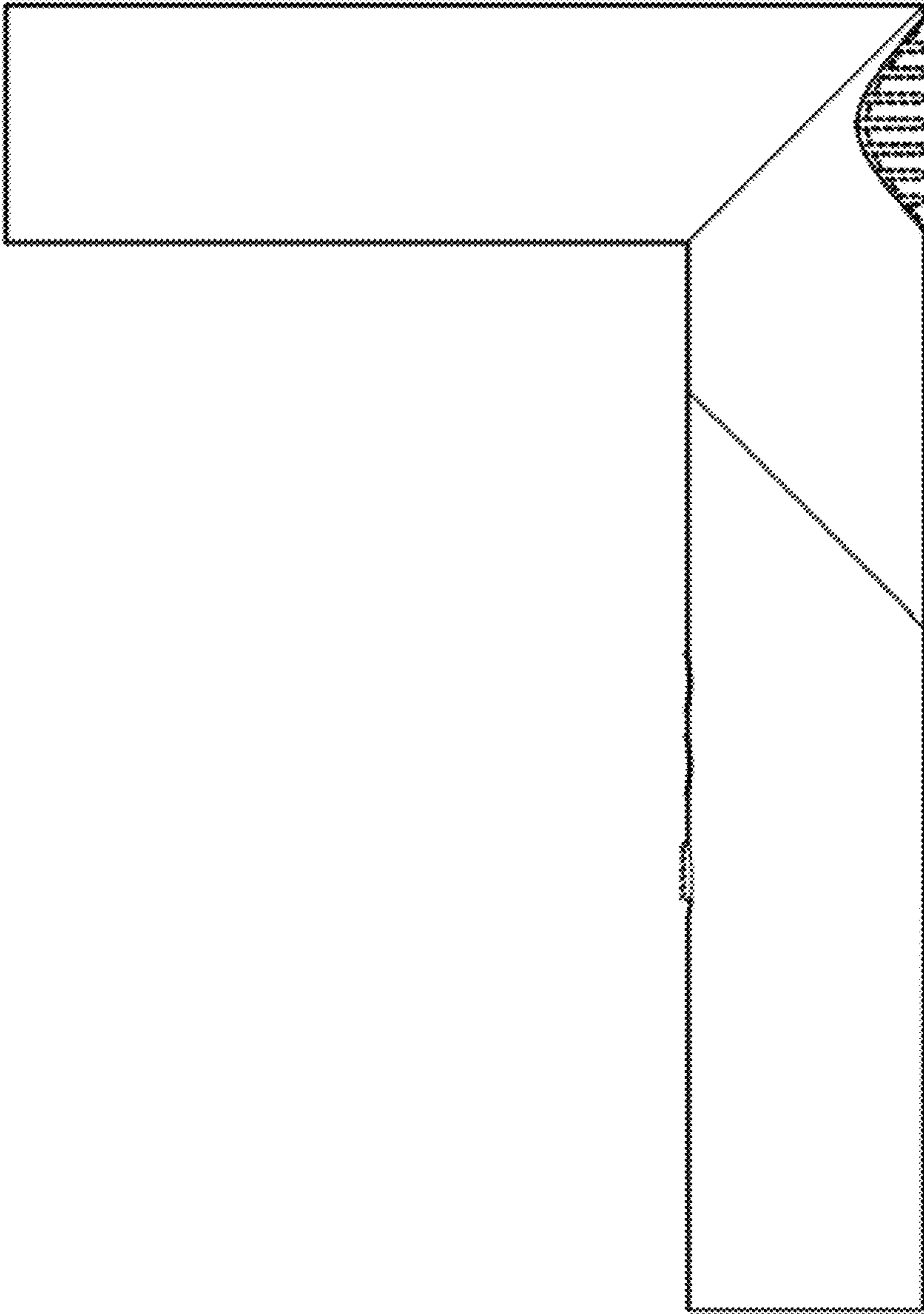


FIG. 5

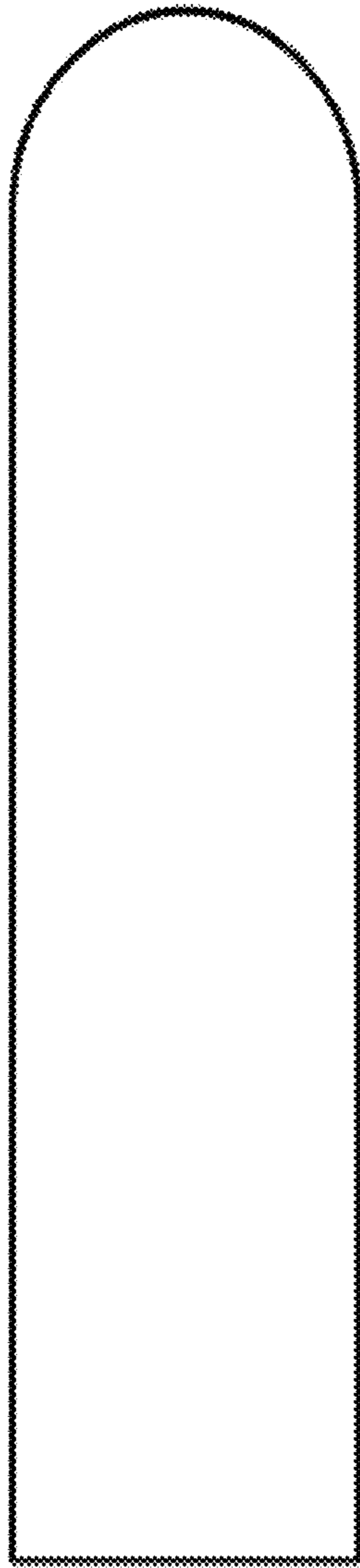


FIG. 6

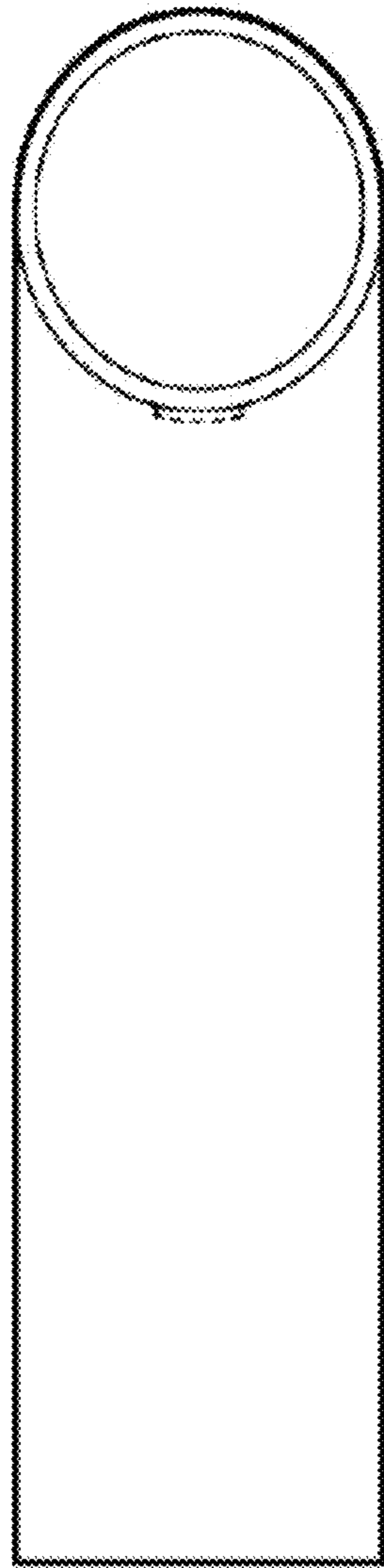


FIG. 7

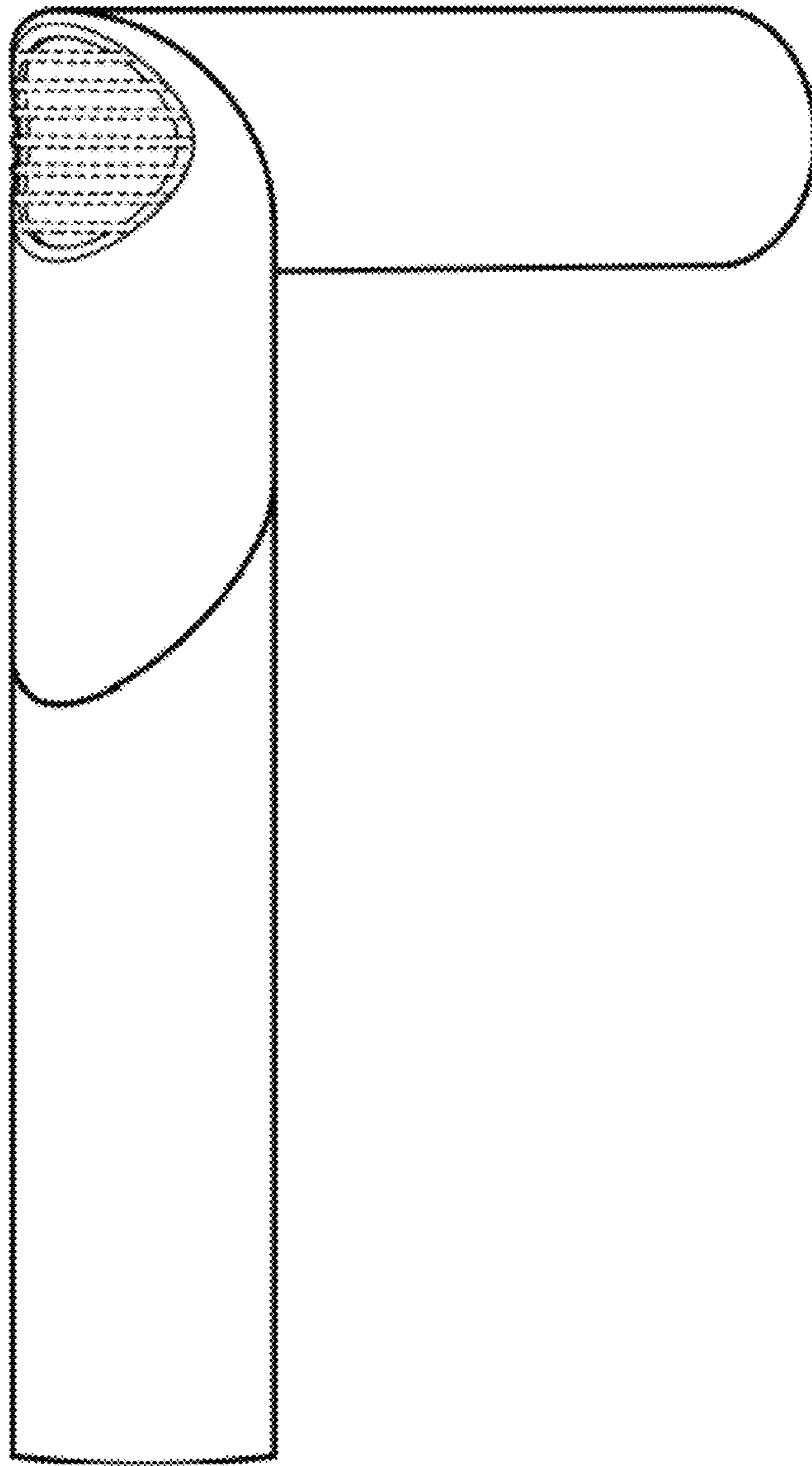


FIG. 8

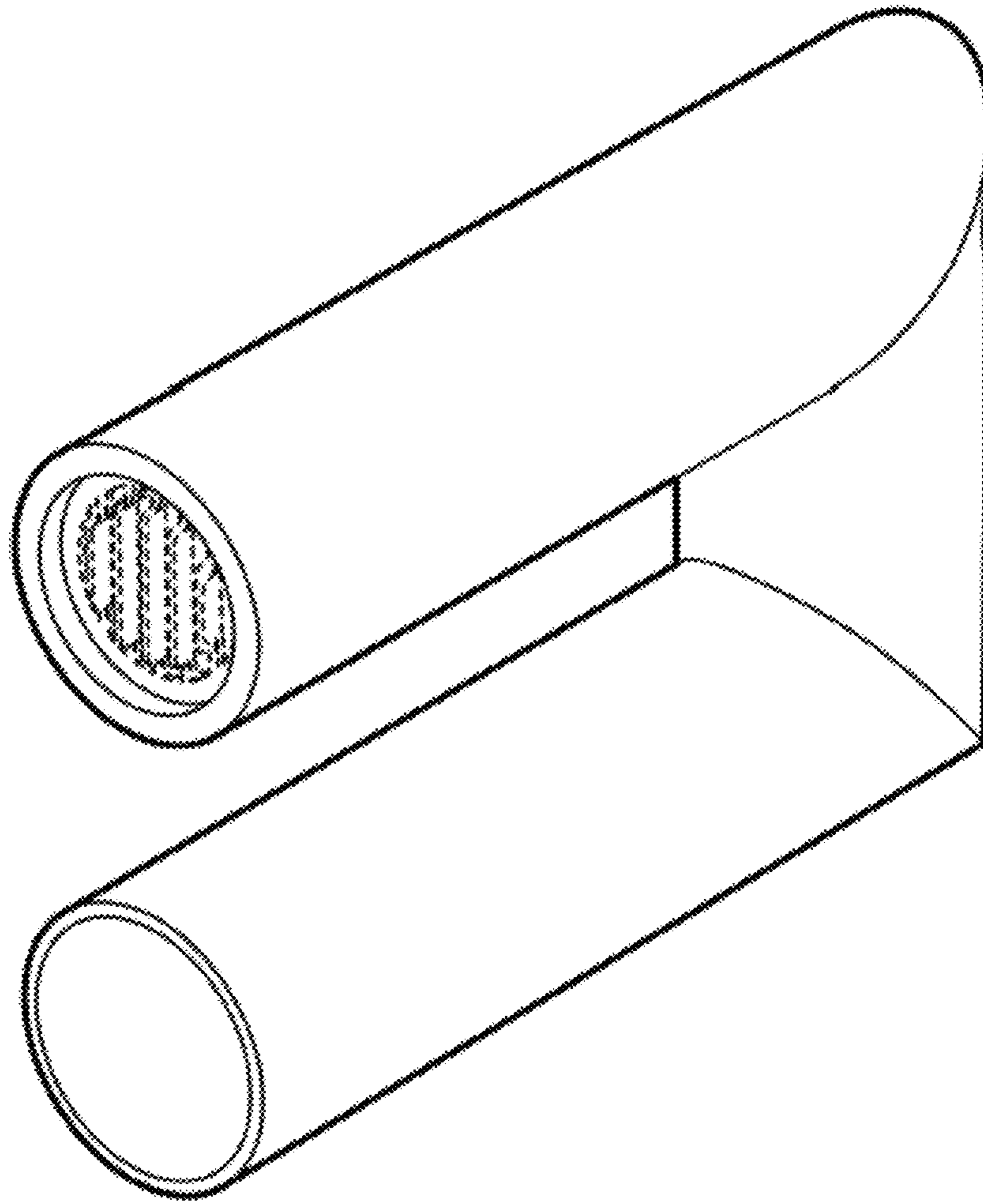


FIG. 9

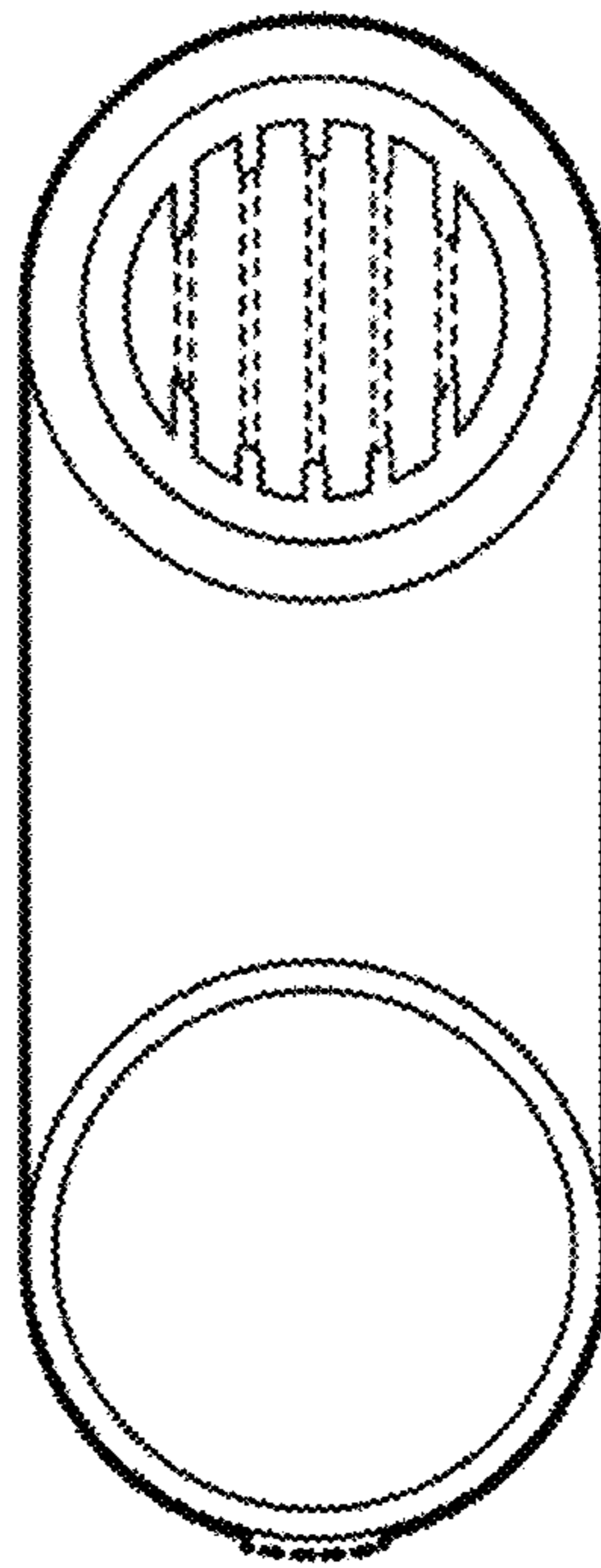


FIG. 10

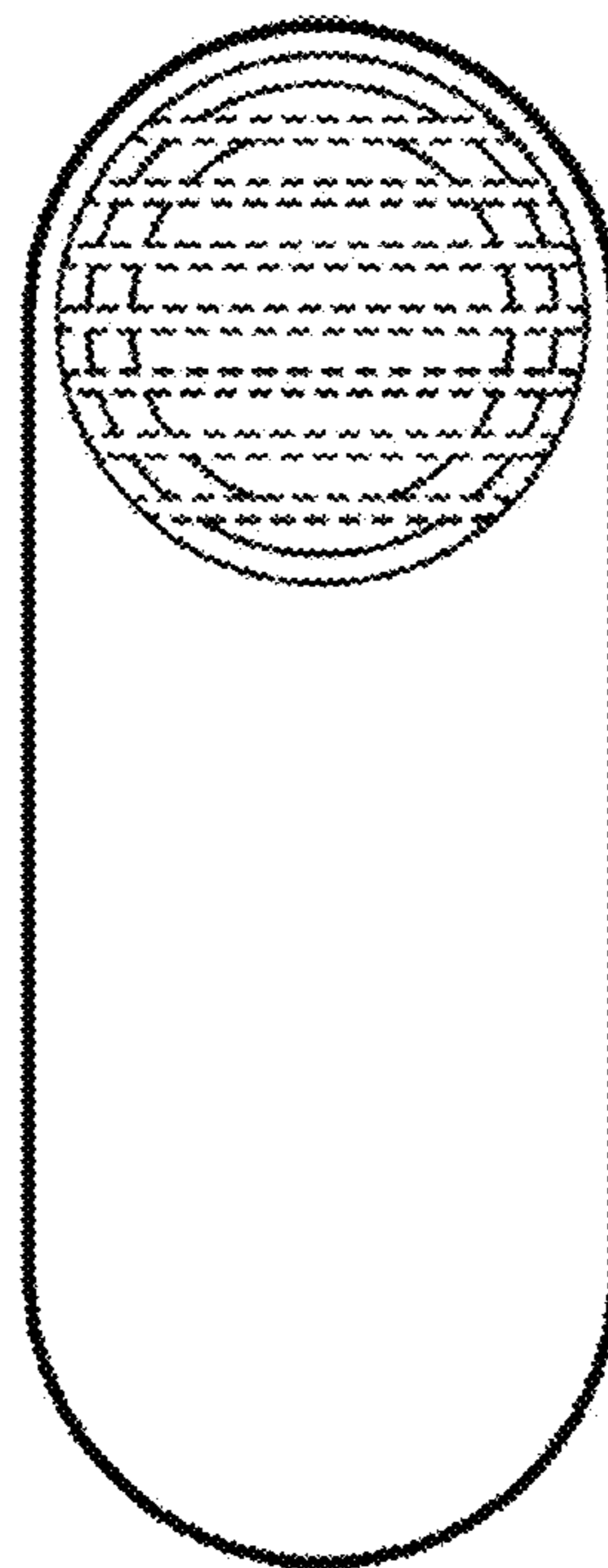


FIG. 11

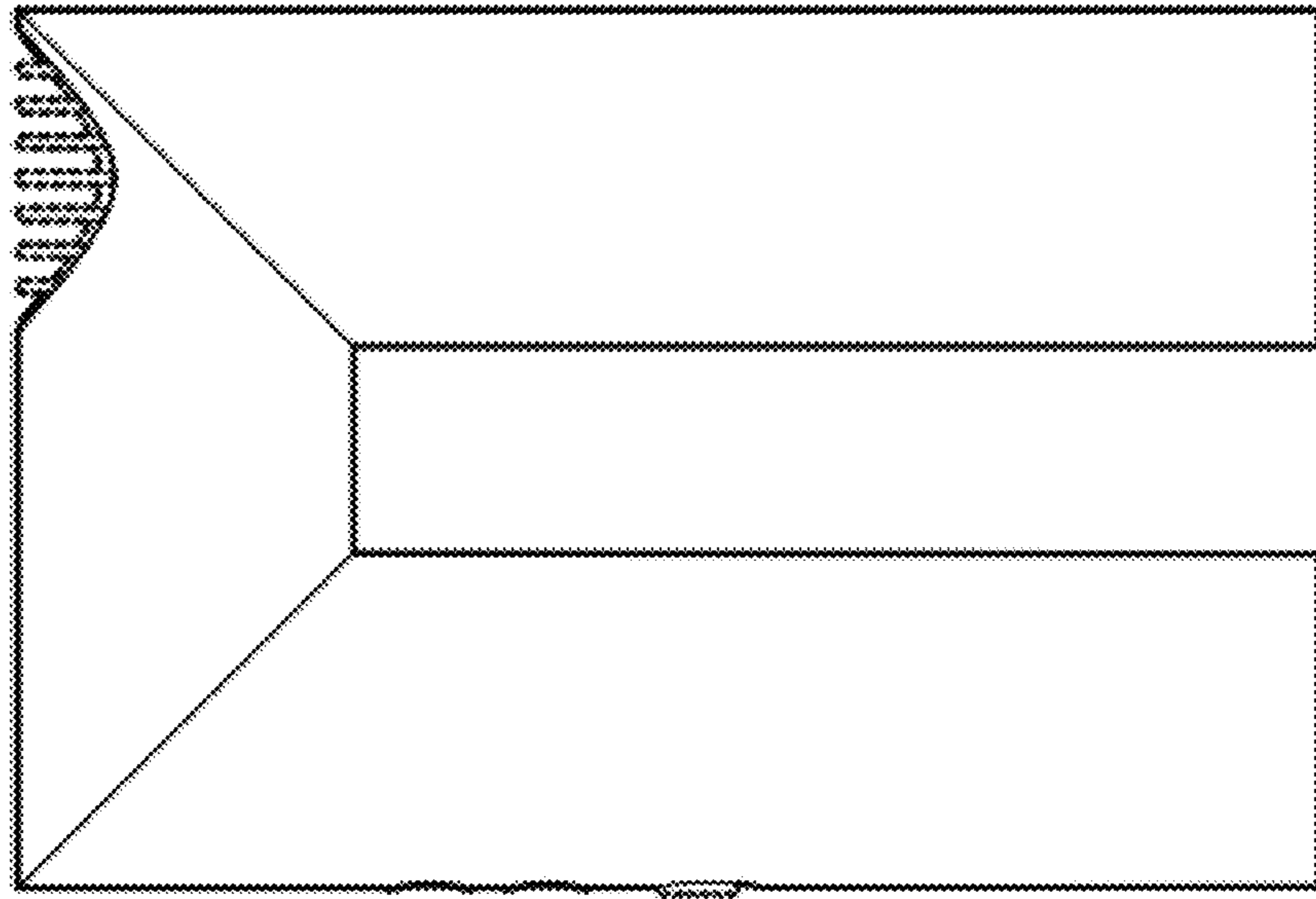


FIG. 12

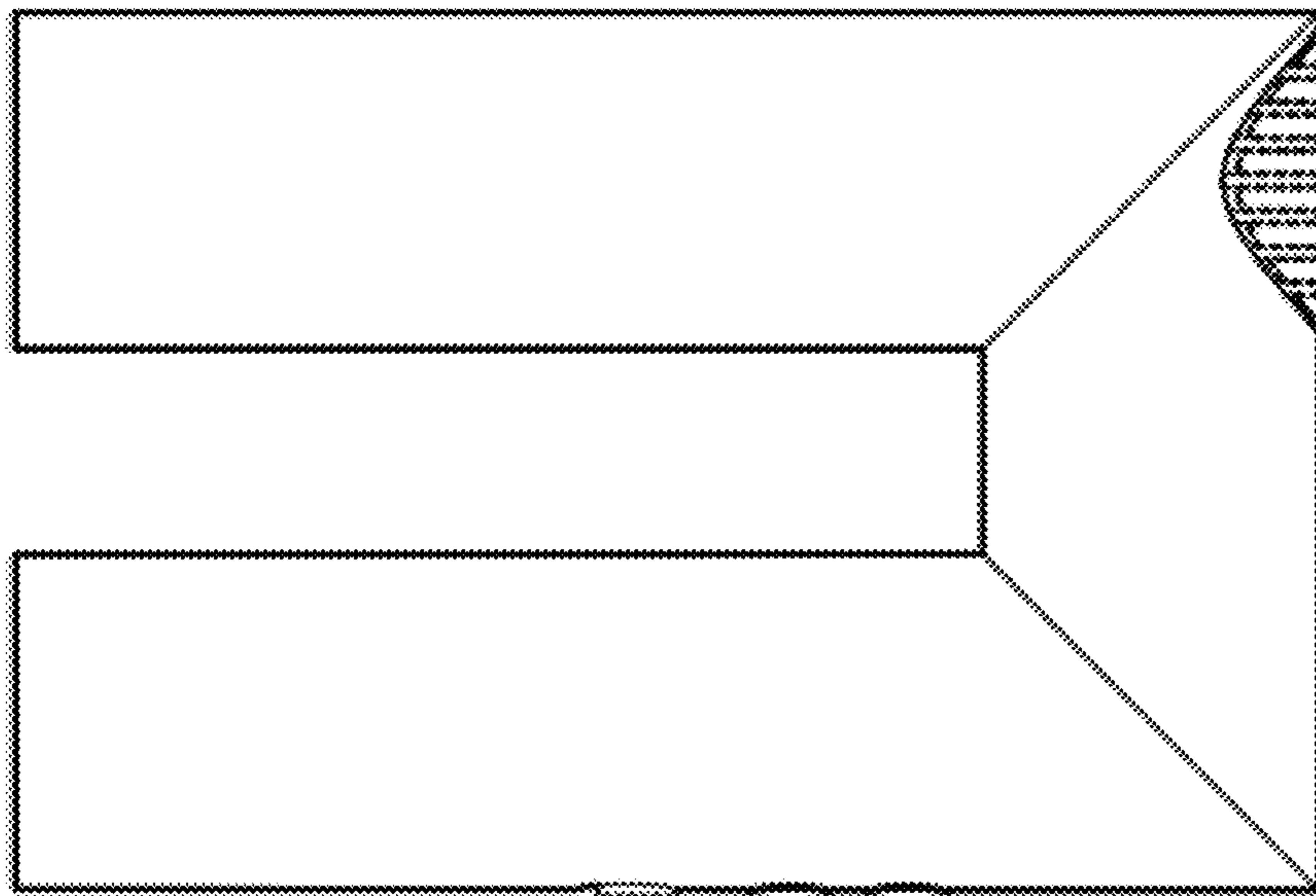


FIG. 13

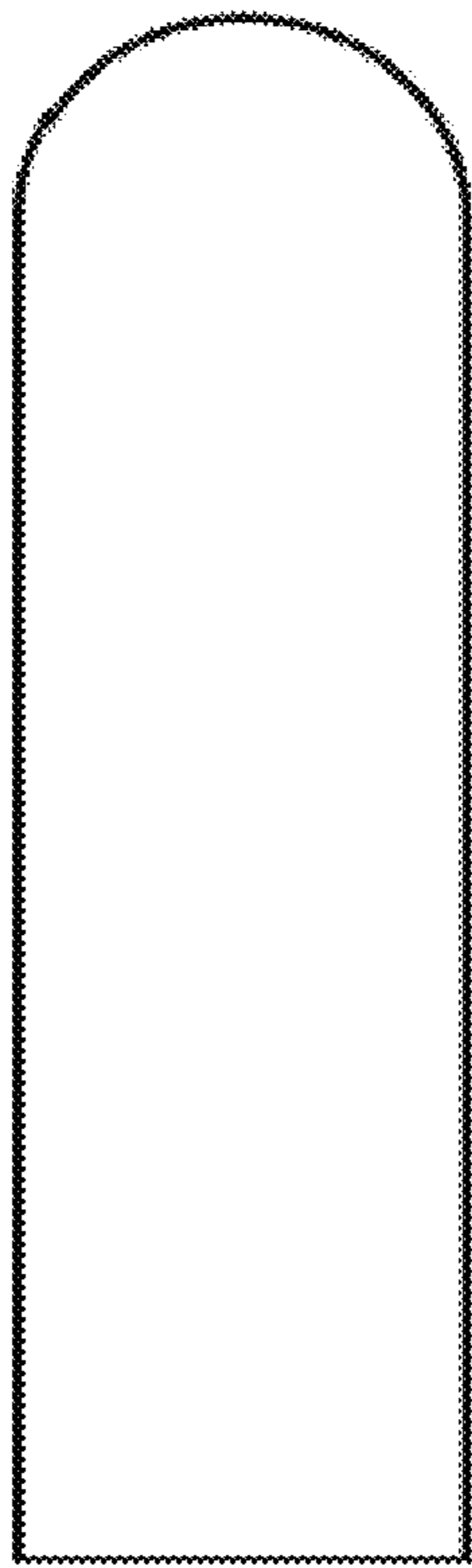


FIG. 14

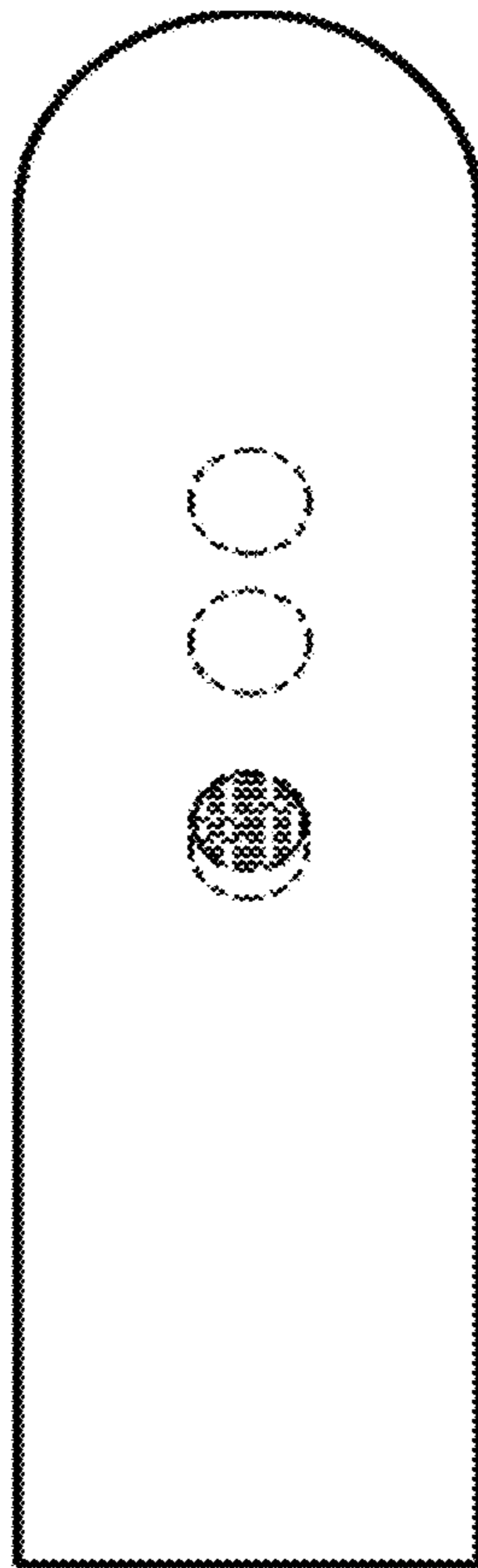


FIG. 15

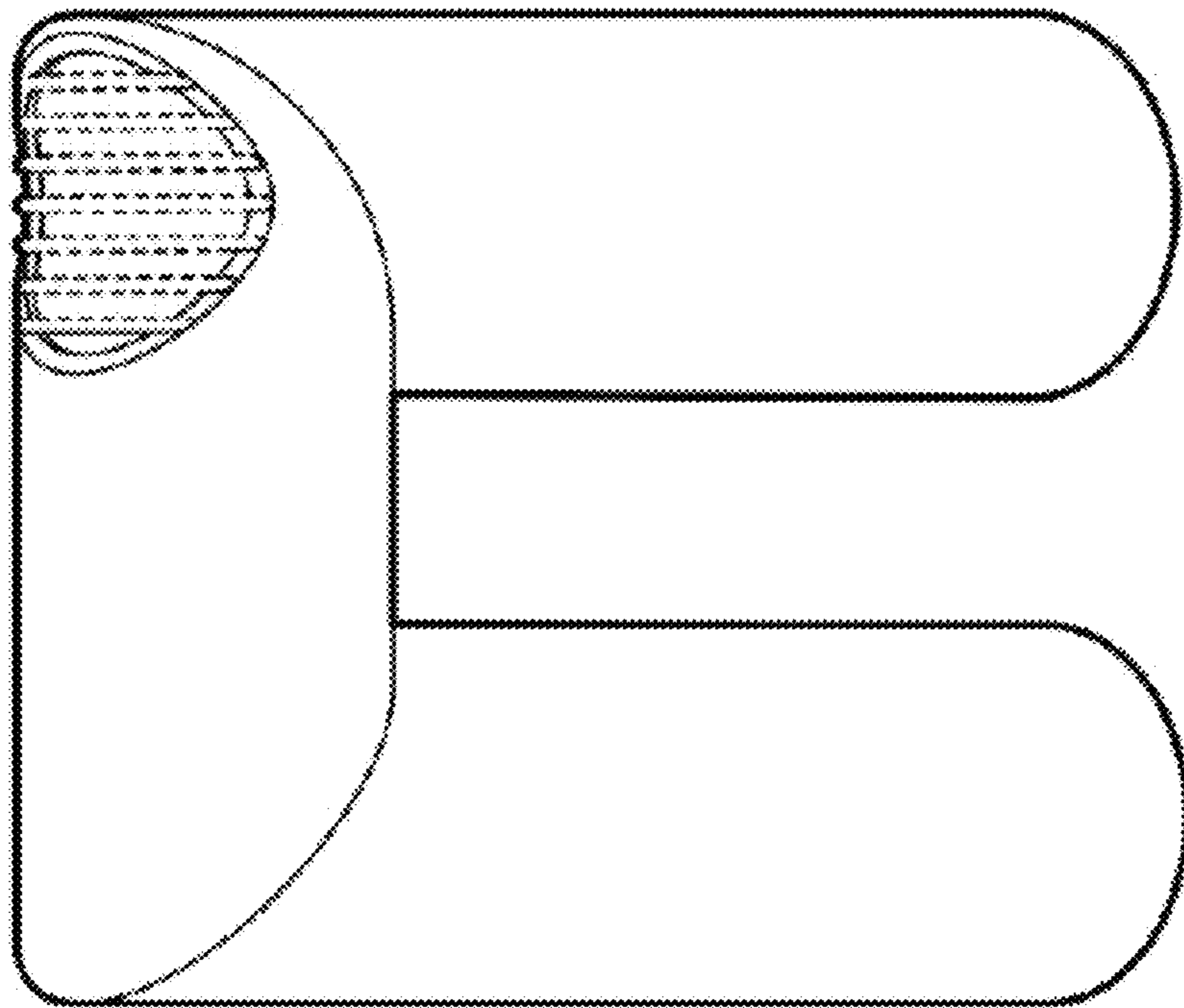


FIG. 16

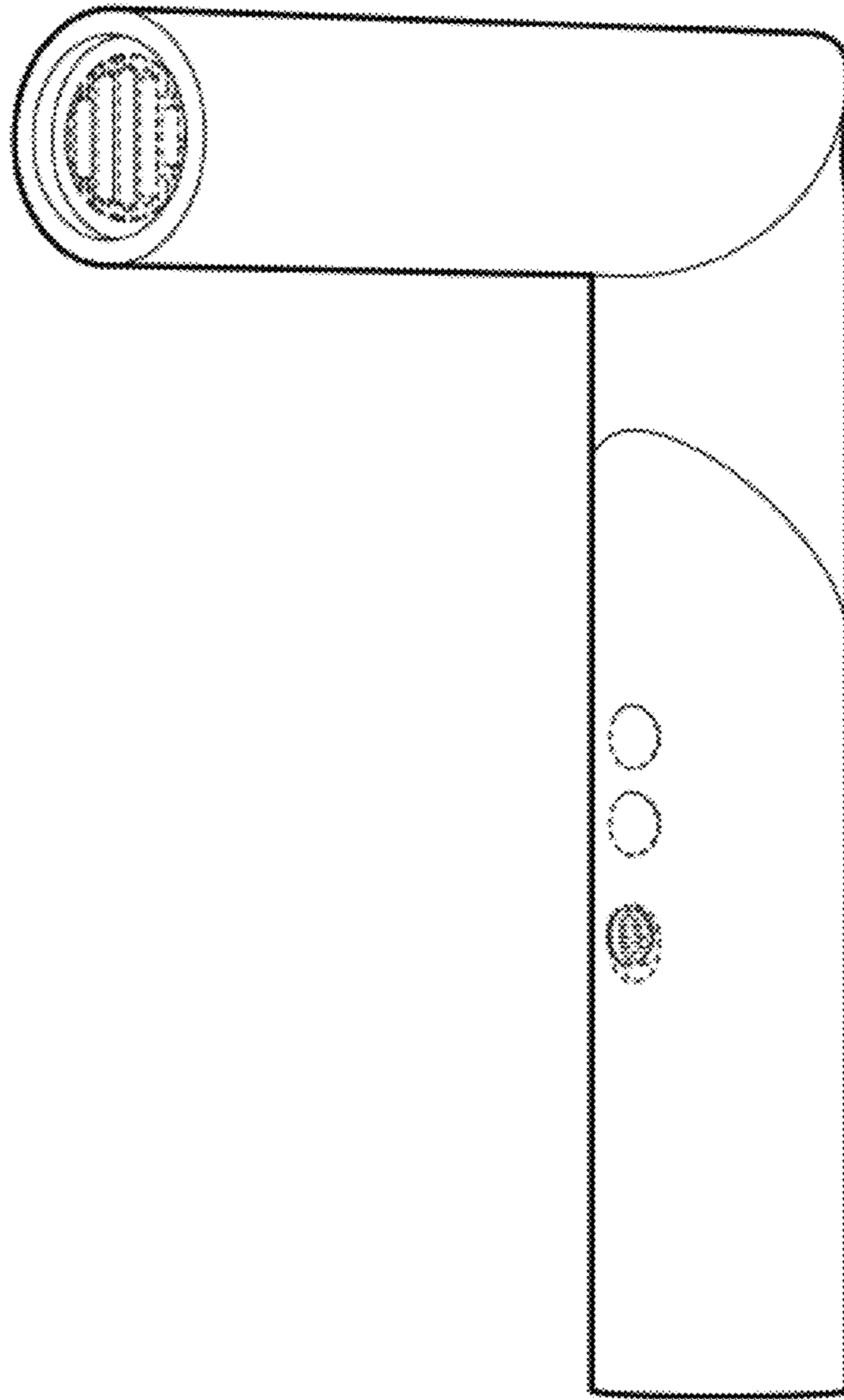


FIG. 17

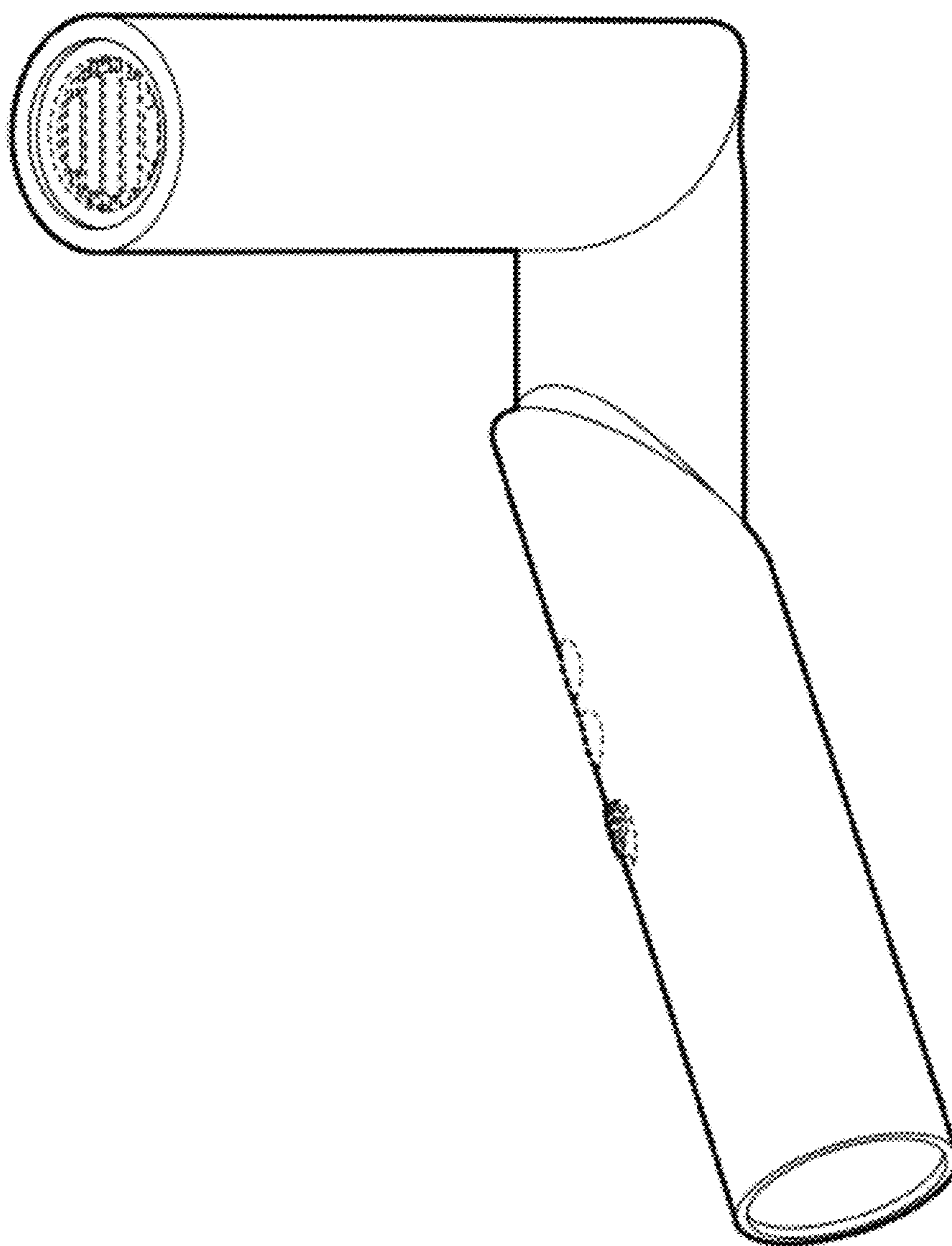


FIG. 18

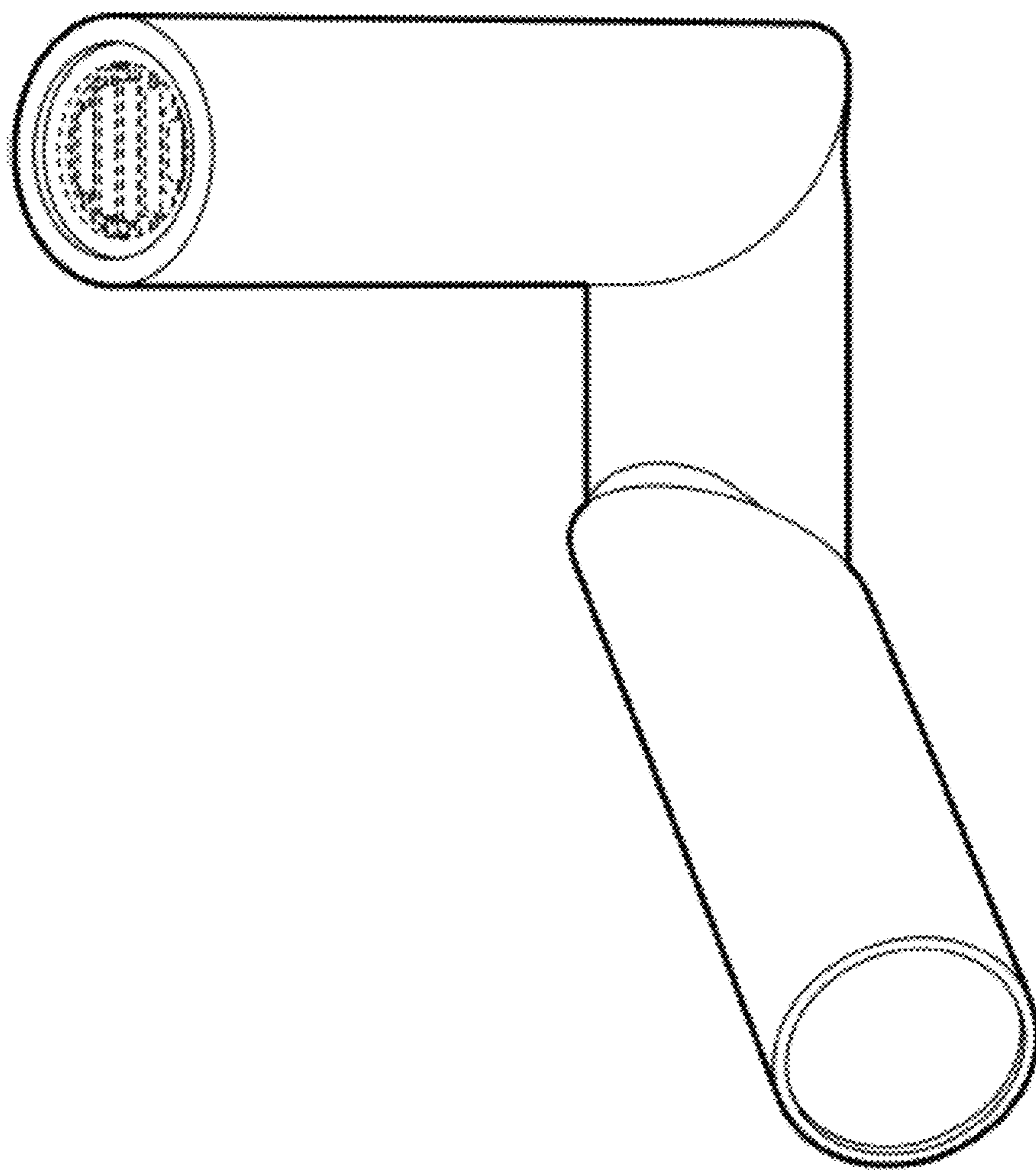


FIG. 19

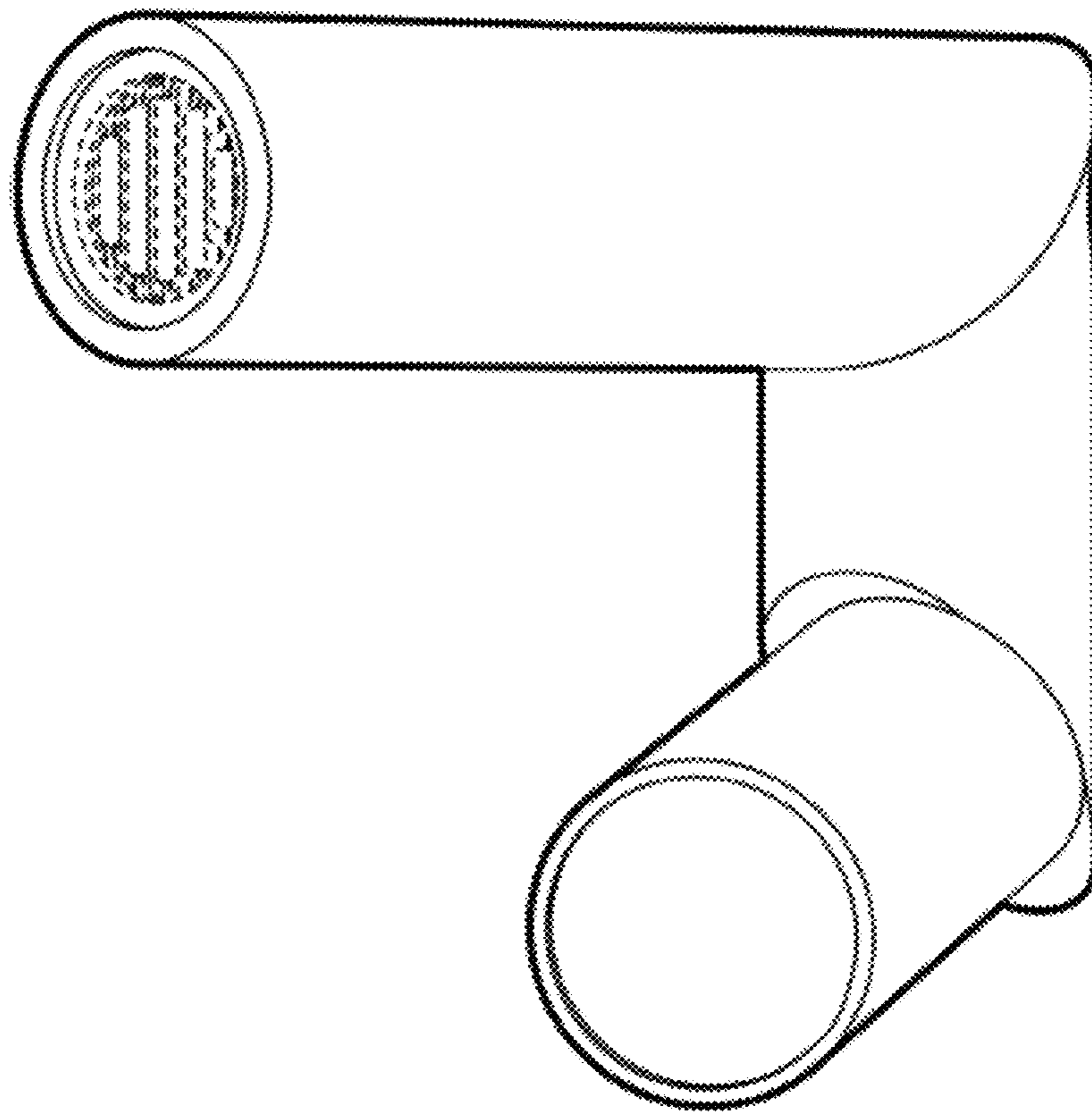


FIG. 20

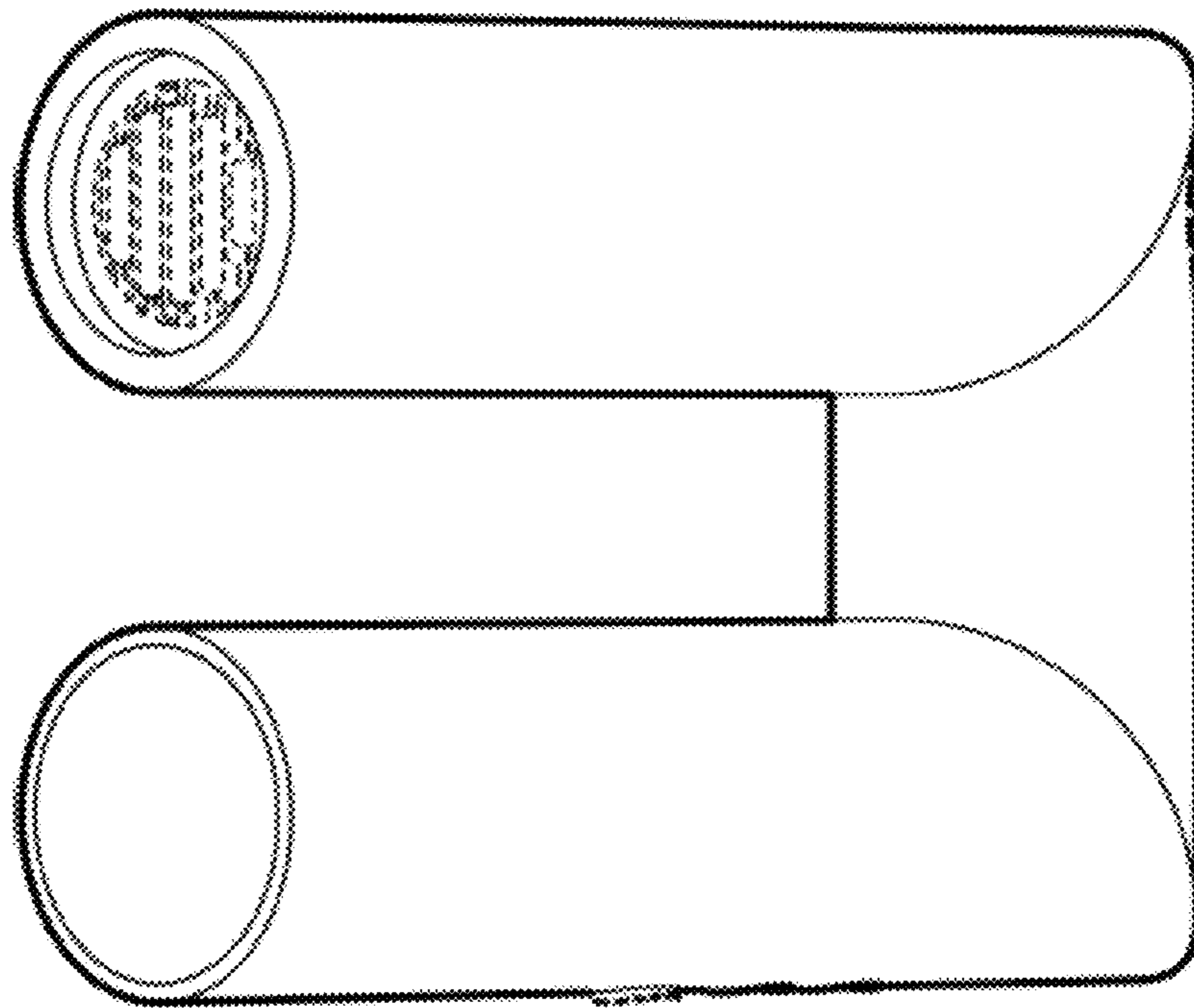


FIG. 21