



US00D900388S

(12) **United States Design Patent** (10) **Patent No.:** **US D900,388 S**  
**Liu** (45) **Date of Patent:** **\*\* Oct. 27, 2020**

(54) **ELECTRONIC CIGARETTE**  
(71) Applicant: **Tuanfang Liu**, Shenzhen (CN)  
(72) Inventor: **Tuanfang Liu**, Shenzhen (CN)  
(\*\*) Term: **15 Years**  
(21) Appl. No.: **29/692,980**  
(22) Filed: **May 30, 2019**  
(51) **LOC (12) Cl.** ..... **27-02**  
(52) **U.S. Cl.**  
USPC ..... **D27/162**  
(58) **Field of Classification Search**  
USPC ..... D27/162, 100, 101, 163–165, 172, 183,  
D27/185–194; D24/110, 110.5;  
128/202.21, 203.12; 131/273, 274, 270,  
131/191, 328, 329, 330, 360–365  
CPC .... A24F 47/002; A24F 47/006; A24F 47/008;  
A61M 15/00; A61M 15/06  
See application file for complete search history.

D836,831 S \* 12/2018 Cividi ..... D27/162  
D837,446 S \* 1/2019 Durand ..... D27/101  
D863,665 S \* 10/2019 Huang ..... D27/101  
D864,470 S \* 10/2019 Huang ..... D27/101  
D866,852 S \* 11/2019 Cividi ..... D27/101  
D870,372 S \* 12/2019 Zhu ..... D27/167  
D874,059 S \* 1/2020 Bailey ..... D27/162  
D877,976 S \* 3/2020 Ding ..... D27/162  
D881,457 S \* 4/2020 Ouyang ..... D27/162

\* cited by examiner

*Primary Examiner* — Marissa J Cash  
*Assistant Examiner* — Rebecca Tsehaye  
(74) *Attorney, Agent, or Firm* — Matthias Scholl P.C.;  
Matthias Scholl

(57) **CLAIM**

The ornamental design for an electronic cigarette, as shown and described.

**DESCRIPTION**

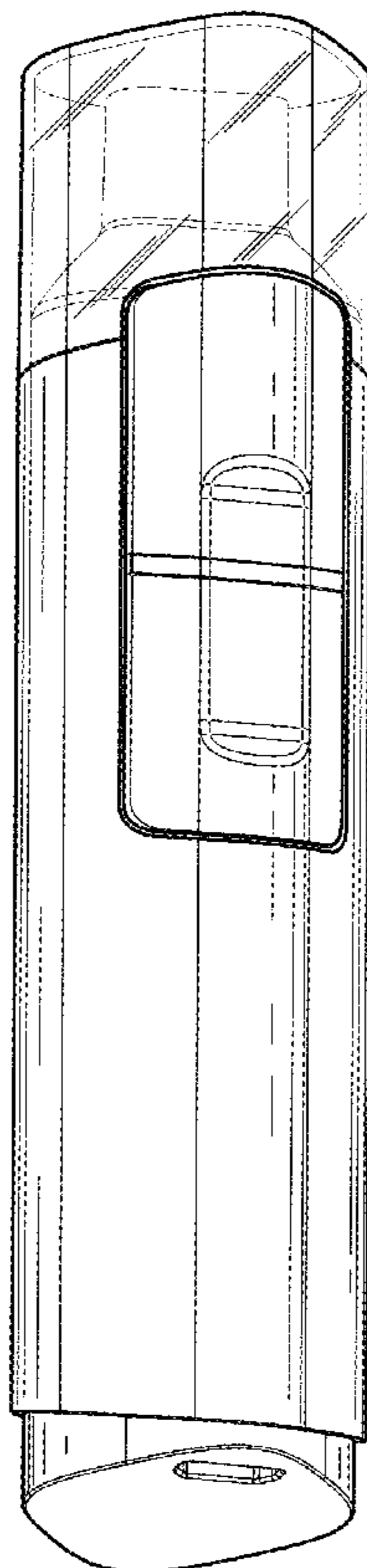
FIG. 1 is a front elevation view of an electronic cigarette; FIG. 2 is a rear elevation view thereof; FIG. 3 is a left-side elevation view thereof; FIG. 4 is a right-side elevation view thereof; FIG. 5 is a top plan view thereof; FIG. 6 is a bottom plan view thereof; and, FIG. 7 is a perspective view thereof. The broken lines in the drawings depict portions of the electronic cigarette that form no part of the claimed design.

**1 Claim, 7 Drawing Sheets**

(56) **References Cited**

**U.S. PATENT DOCUMENTS**

D750,320 S \* 2/2016 Verleur ..... A24F 47/008  
D27/101  
D756,030 S \* 5/2016 Chen ..... D27/101  
D792,643 S \* 7/2017 Wong ..... D27/101  
D799,110 S \* 10/2017 Qiu ..... D27/101  
D834,246 S \* 11/2018 Qiu ..... D27/162



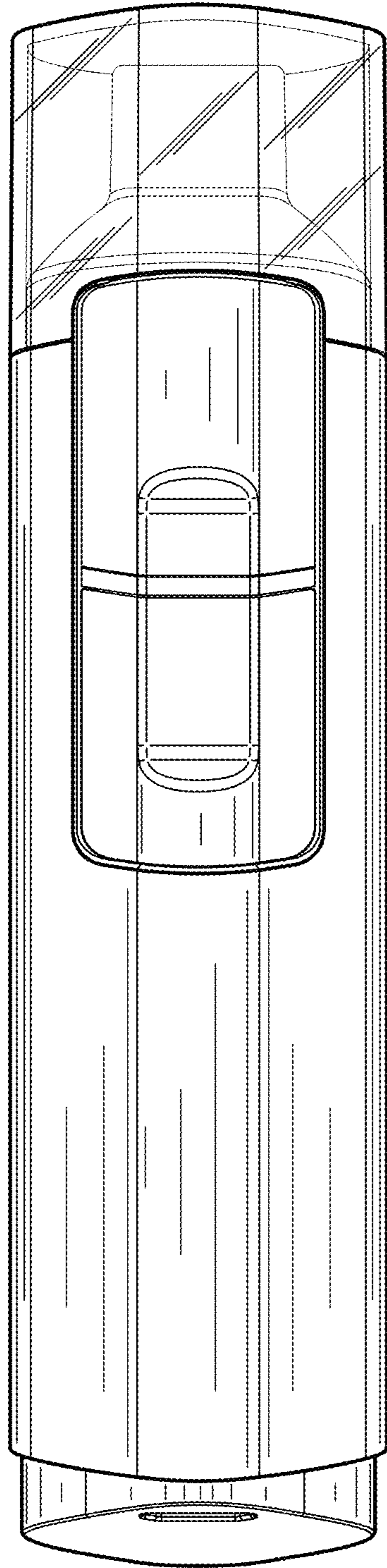


FIG. 1

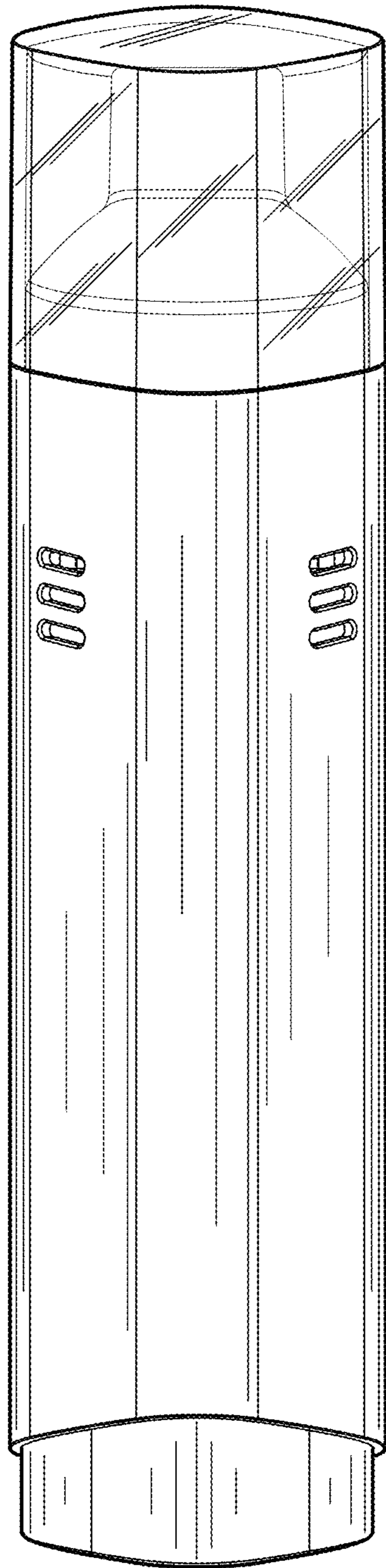


FIG. 2

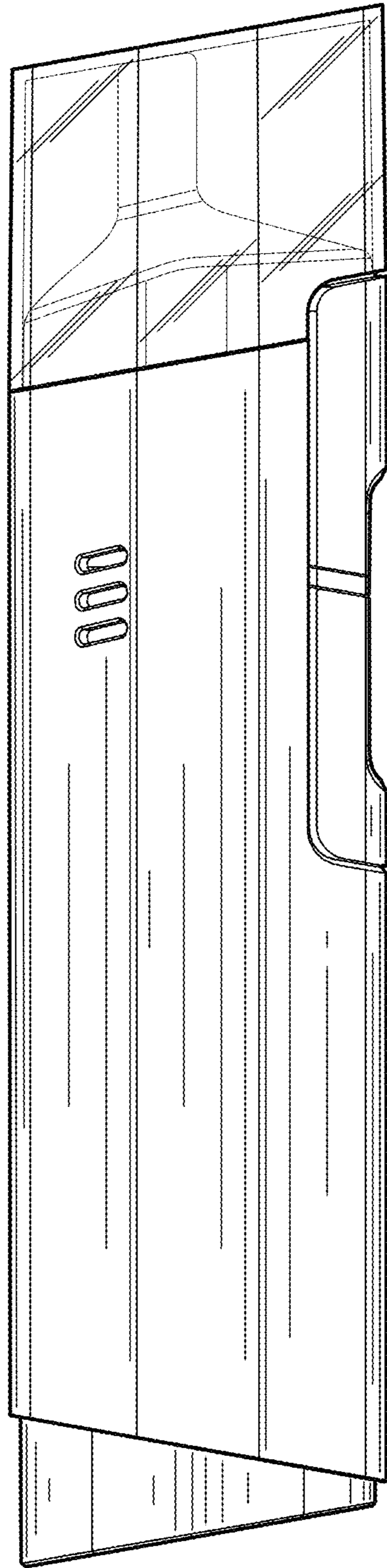


FIG. 3

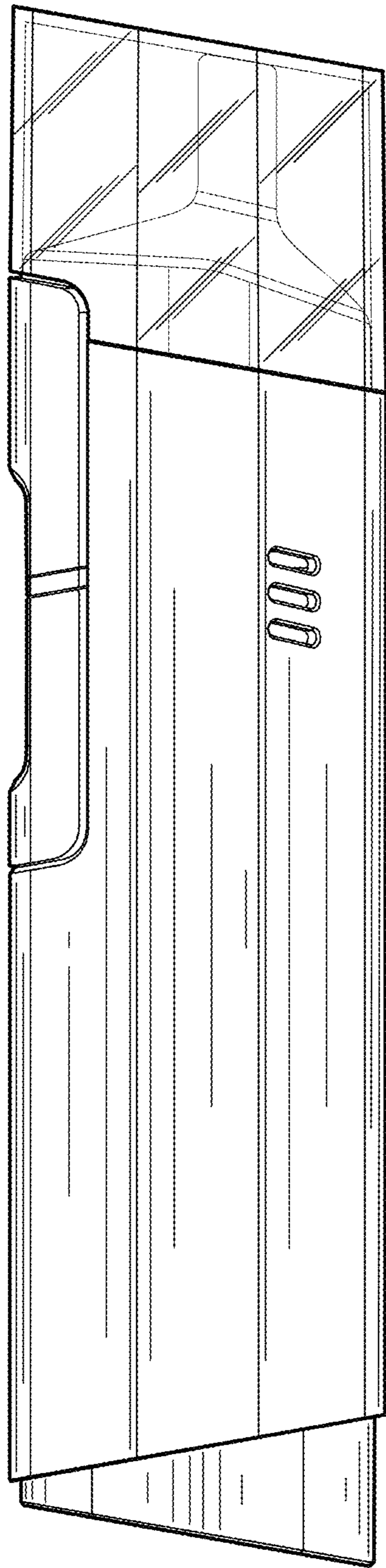


FIG. 4

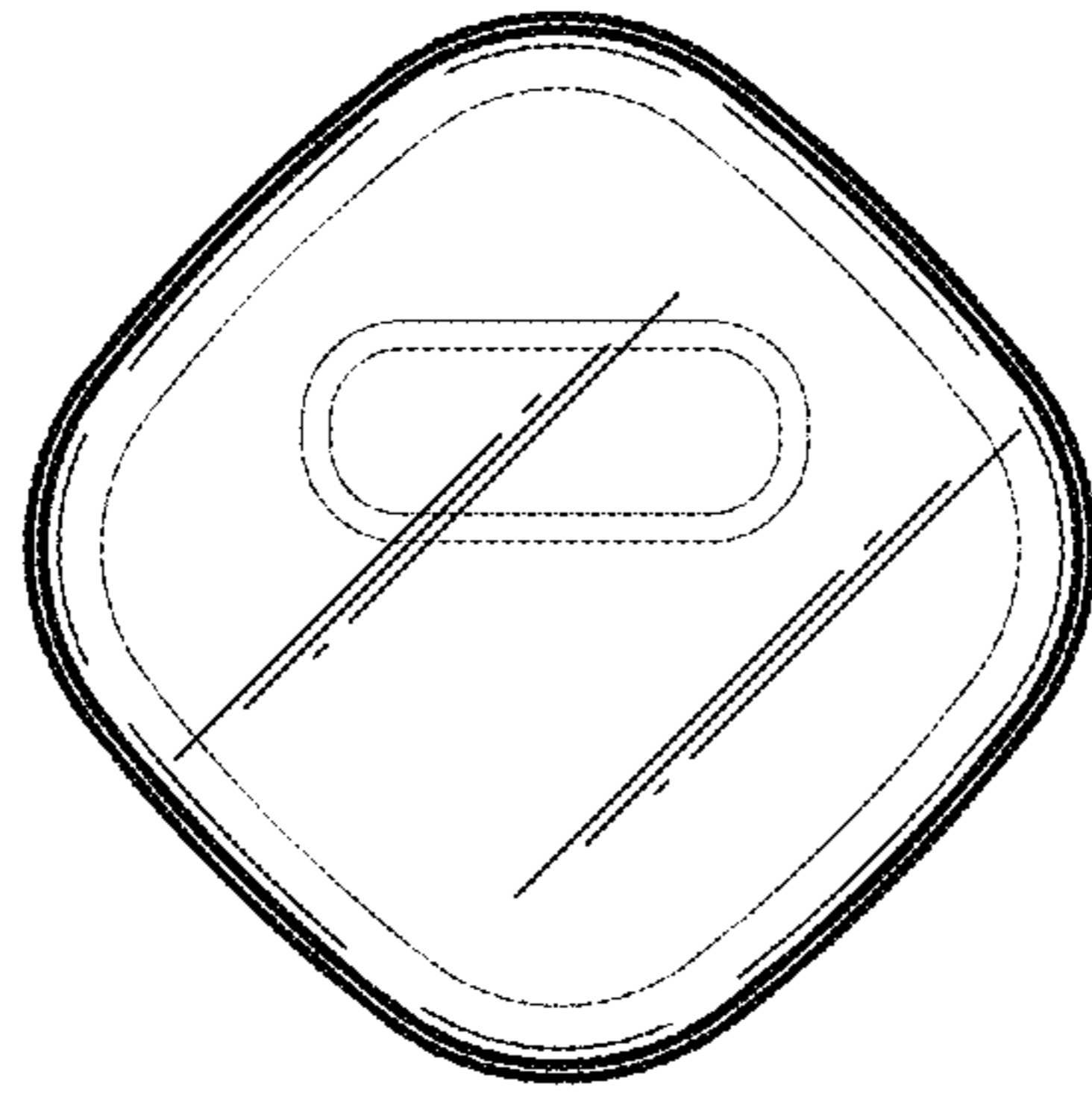


FIG. 5

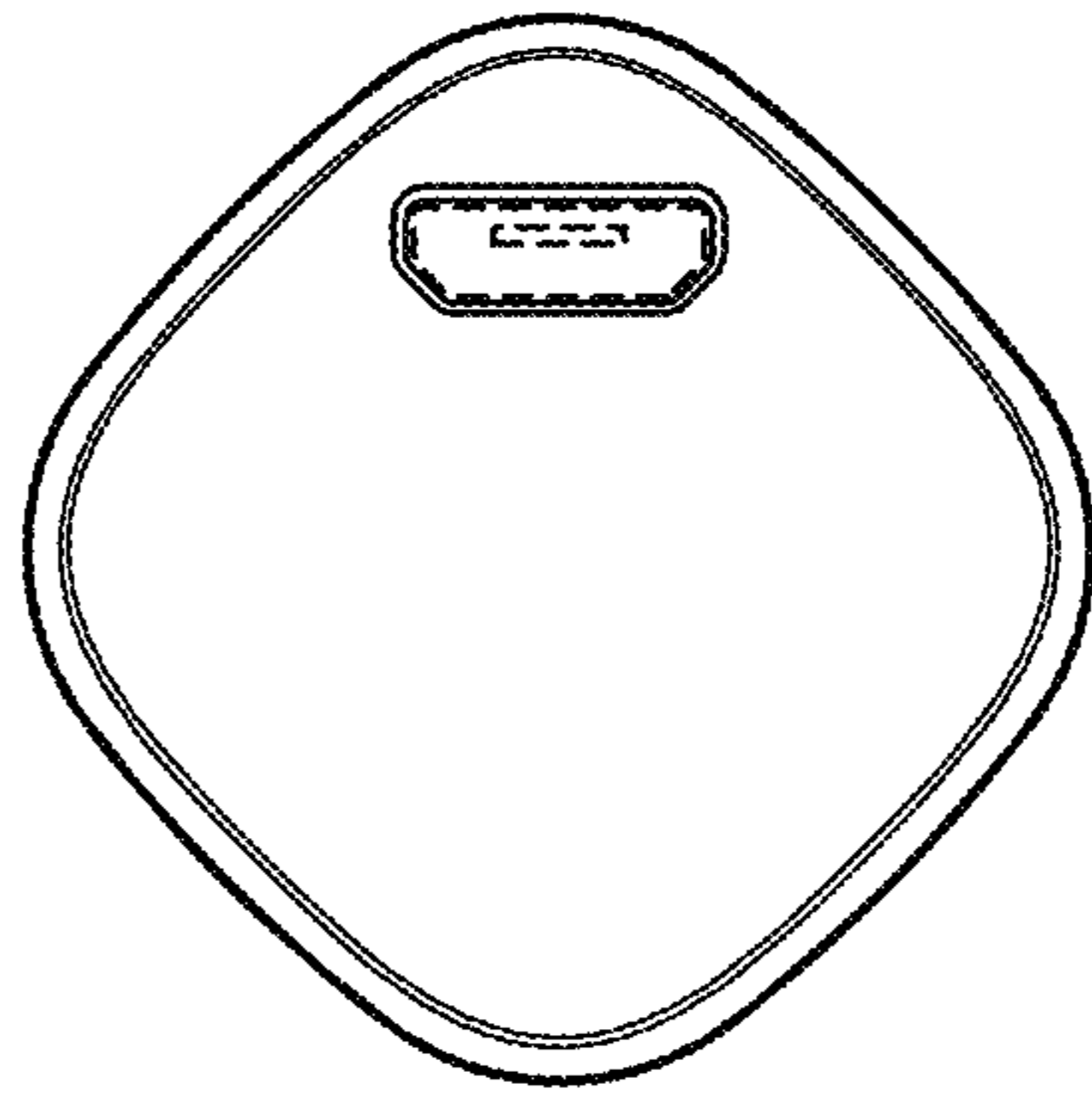


FIG. 6

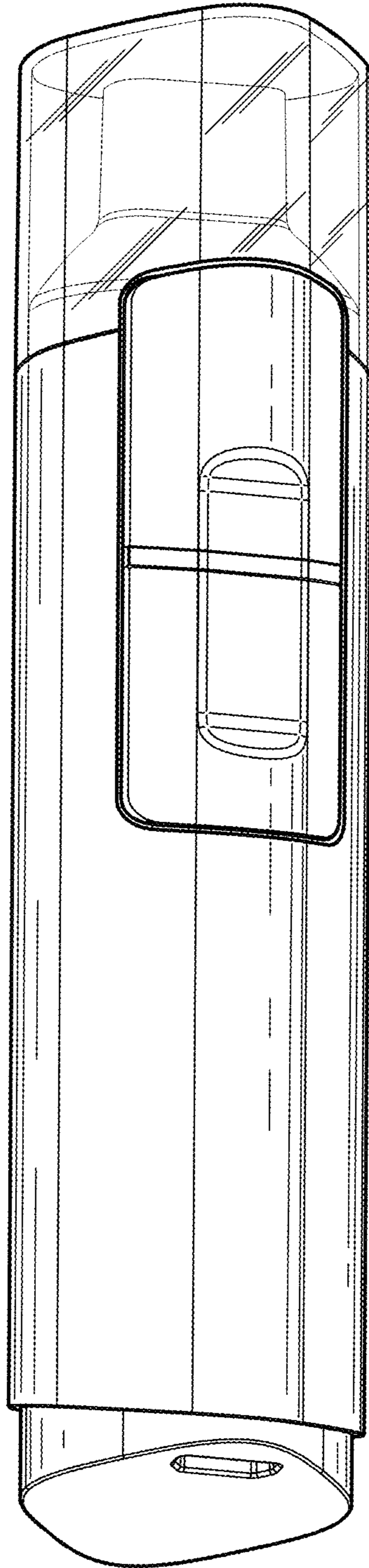


FIG. 7