



US00D900387S

(12) **United States Design Patent** (10) **Patent No.:** **US D900,387 S**
Liu (45) **Date of Patent:** **** Oct. 27, 2020**

(54) **ELECTRONIC CIGARETTE**
(71) Applicant: **Tuanfang Liu**, Shenzhen (CN)
(72) Inventor: **Tuanfang Liu**, Shenzhen (CN)
(**) Term: **15 Years**
(21) Appl. No.: **29/692,311**
(22) Filed: **May 24, 2019**
(51) **LOC (12) Cl.** **27-02**
(52) **U.S. Cl.**
USPC **D27/162**
(58) **Field of Classification Search**
USPC D27/162, 100, 101, 152, 163–165, 167,
D27/169, 172, 174–176, 183, 185–194;
D24/110, 110.5; 128/202.21, 203.12;
131/273, 274, 270, 191, 328, 329, 330,
131/360–365
CPC A24F 47/002; A24F 47/006; A24F 47/008;
A61M 15/00; A61M 15/06
See application file for complete search history.

D854,739 S * 7/2019 Li D27/162
D861,978 S * 10/2019 Lai D27/167
D881,456 S * 4/2020 Chen D27/162
D883,567 S * 5/2020 Liu D27/162
2014/0360514 A1* 12/2014 Zhu A24F 47/008
131/329
2015/0189919 A1* 7/2015 Liu A24F 47/008
131/329
2015/0257444 A1* 9/2015 Chung A24F 1/30
131/329
2015/0282529 A1* 10/2015 Li A24F 47/008
131/273
2016/0295920 A1* 10/2016 Liu A24F 47/008
2017/0013881 A1* 1/2017 Liu A24F 47/008

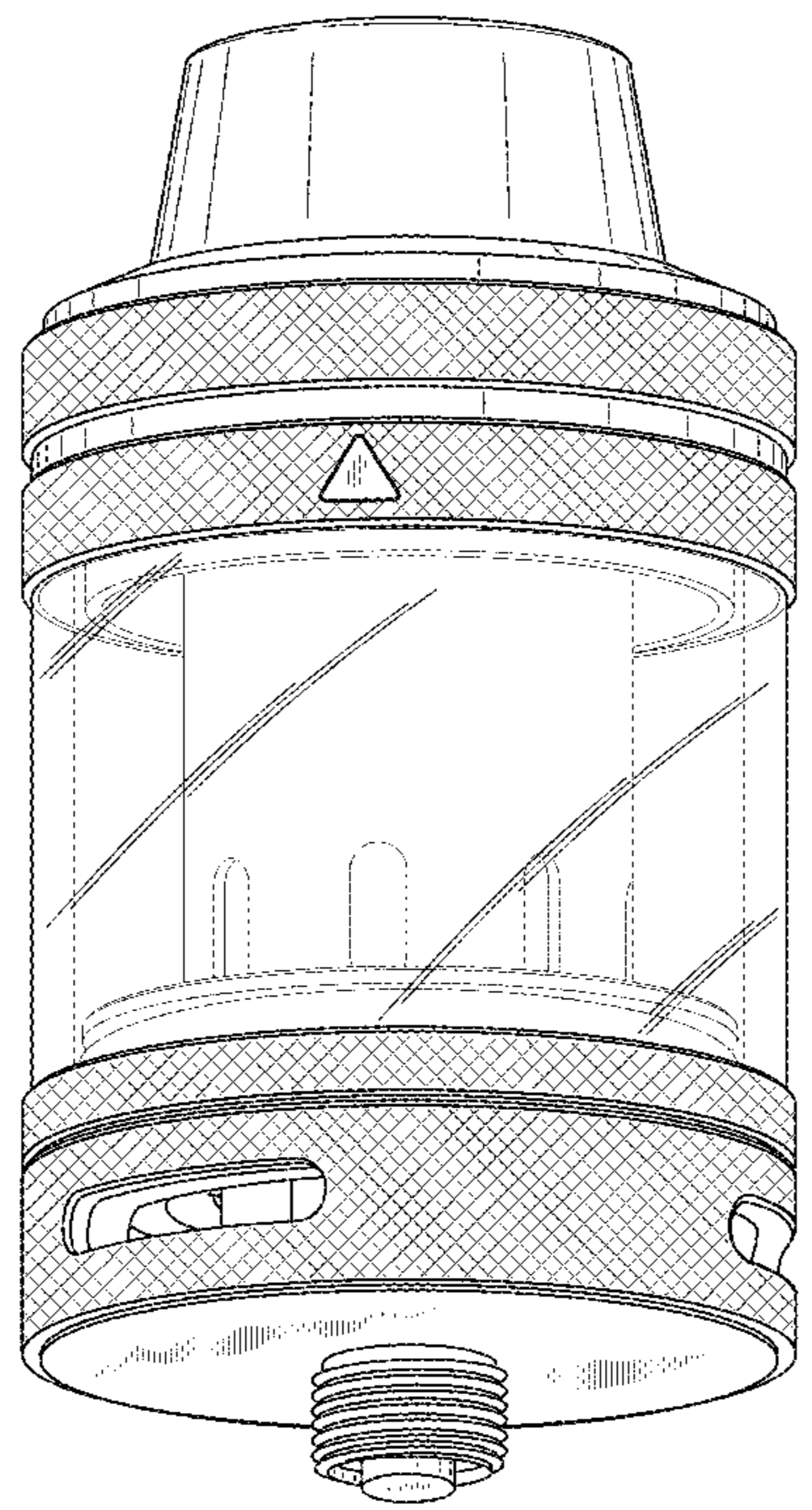
* cited by examiner
Primary Examiner — Marissa J Cash
Assistant Examiner — Rebecca Tsehaye
(74) *Attorney, Agent, or Firm* — Matthias Scholl P.C.;
Matthias Scholl

(57) **CLAIM**
The ornamental design for an electronic cigarette, as shown
and described.

(56) **References Cited**
U.S. PATENT DOCUMENTS
D636,844 S * 4/2011 Herre D23/213
D729,440 S * 5/2015 Liu D27/101
D740,488 S * 10/2015 Leidel D27/167
D792,022 S * 7/2017 Li D27/167
D799,114 S * 10/2017 Li D27/167
D811,652 S * 2/2018 Liu D27/167
D821,641 S * 6/2018 Watson D27/194
D823,534 S * 7/2018 Chen D27/162
D826,471 S * 8/2018 Wang D27/167
D836,243 S * 12/2018 Liu D27/167
D853,635 S * 7/2019 Chen D27/194

DESCRIPTION
FIG. 1 is a front elevation view of an electronic cigarette;
FIG. 2 is a rear elevation view thereof;
FIG. 3 is a left-side elevation view thereof;
FIG. 4 is a right-side elevation view thereof;
FIG. 5 is a top plan view thereof;
FIG. 6 is a bottom plan view thereof; and,
FIG. 7 is a perspective view thereof.
The broken lines in the drawings depict portions of the
electronic cigarette that form no part of the claimed design.

1 Claim, 7 Drawing Sheets



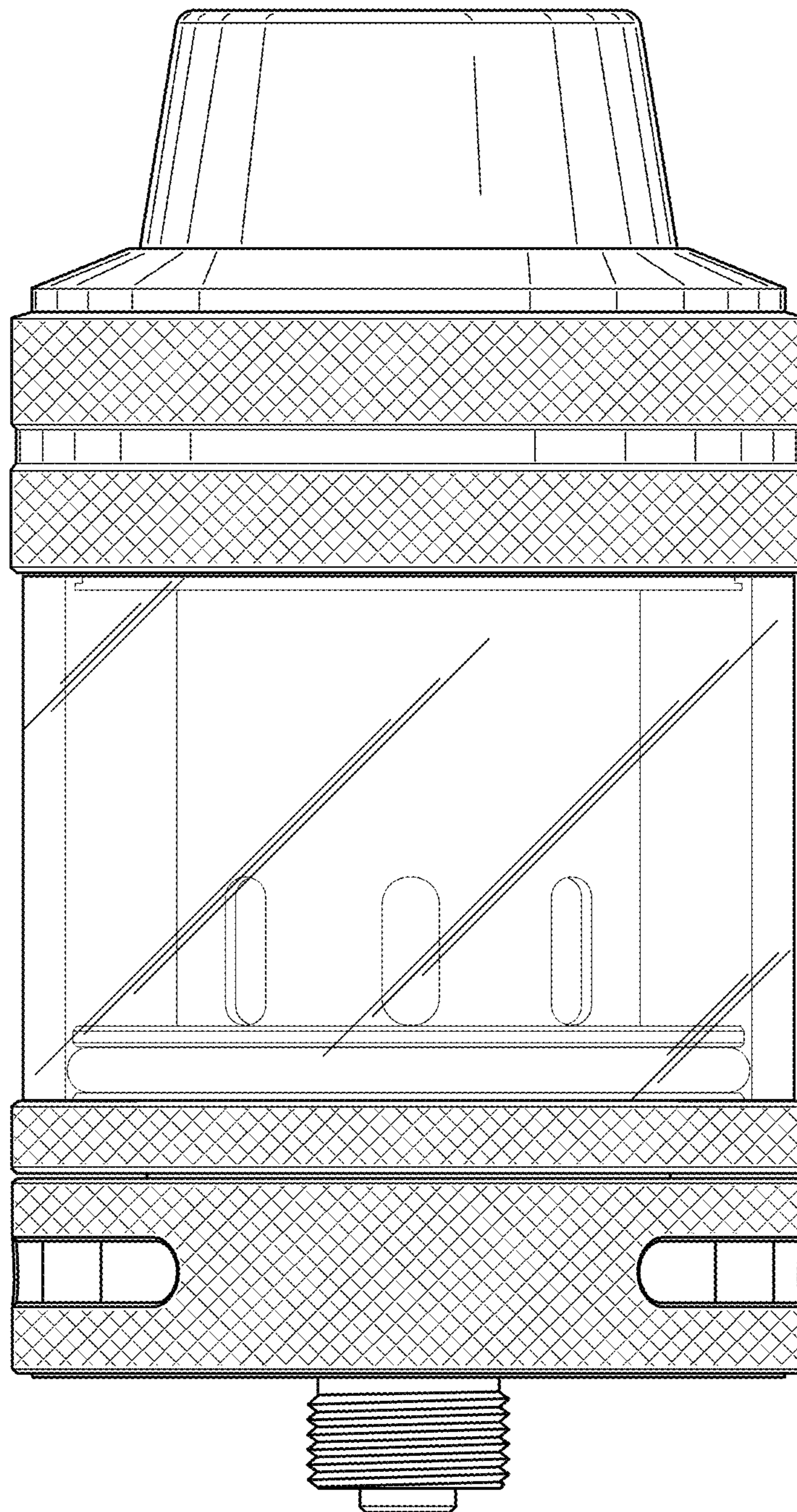


FIG. 1

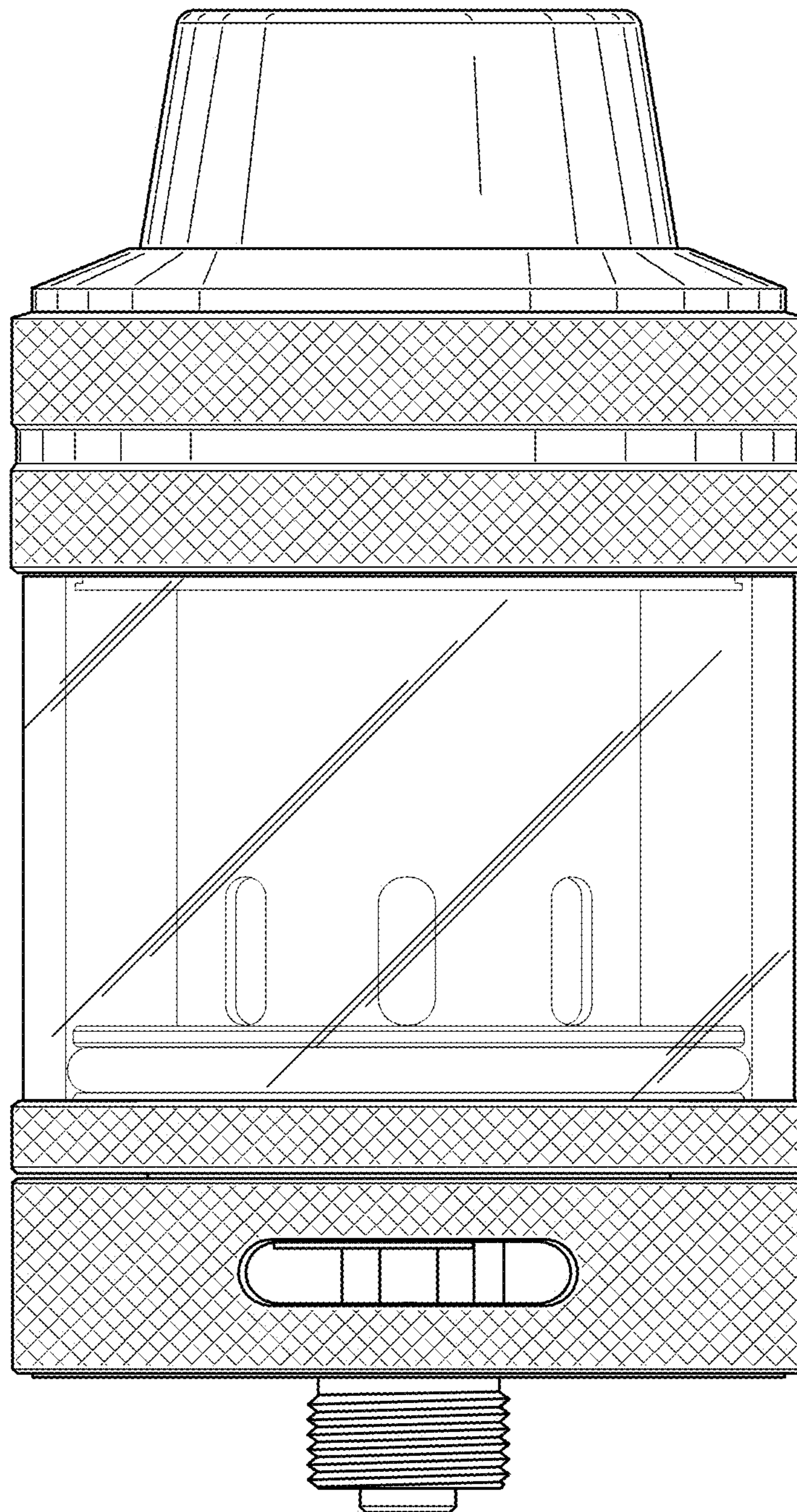


FIG. 2

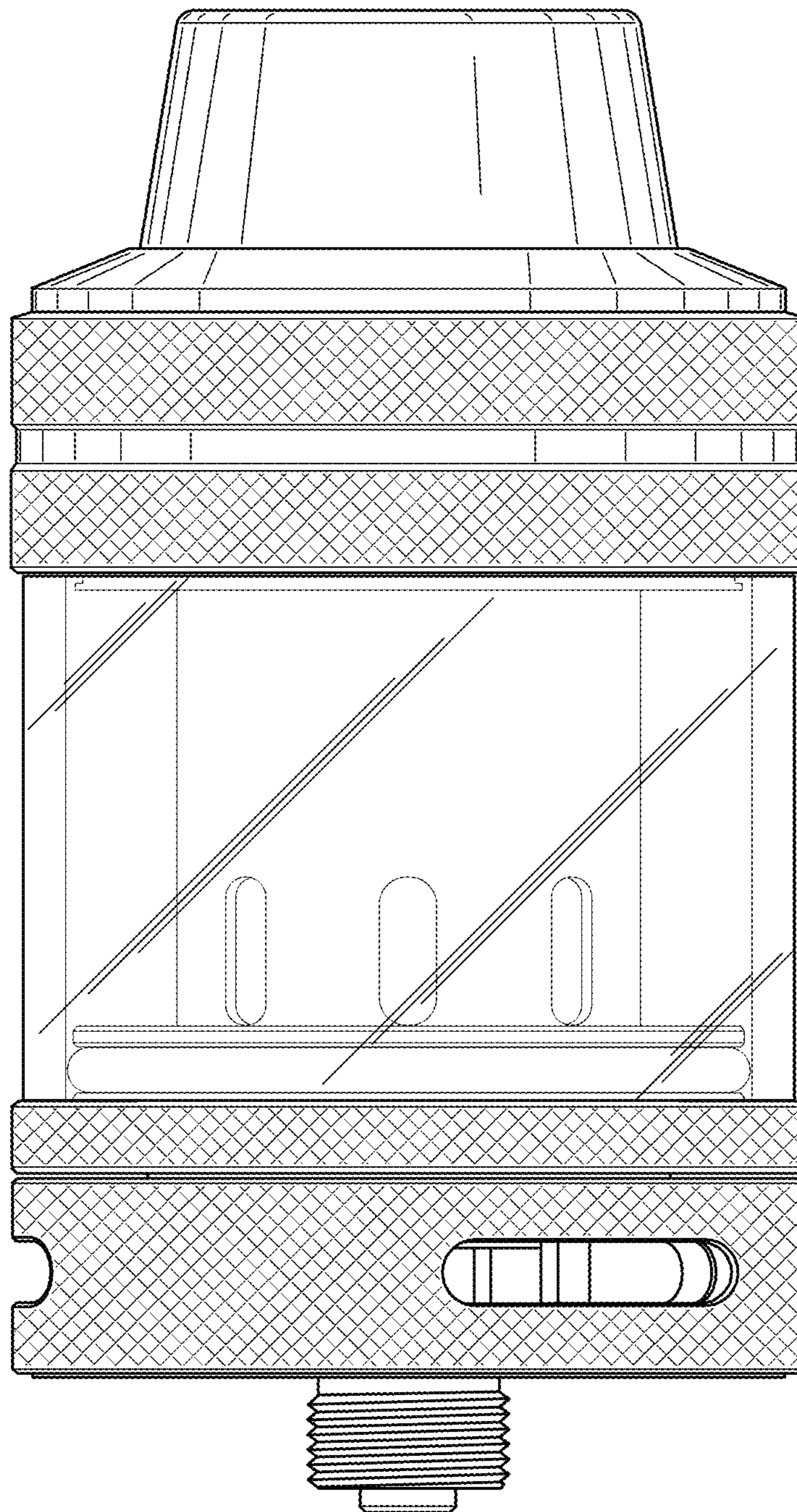


FIG. 3

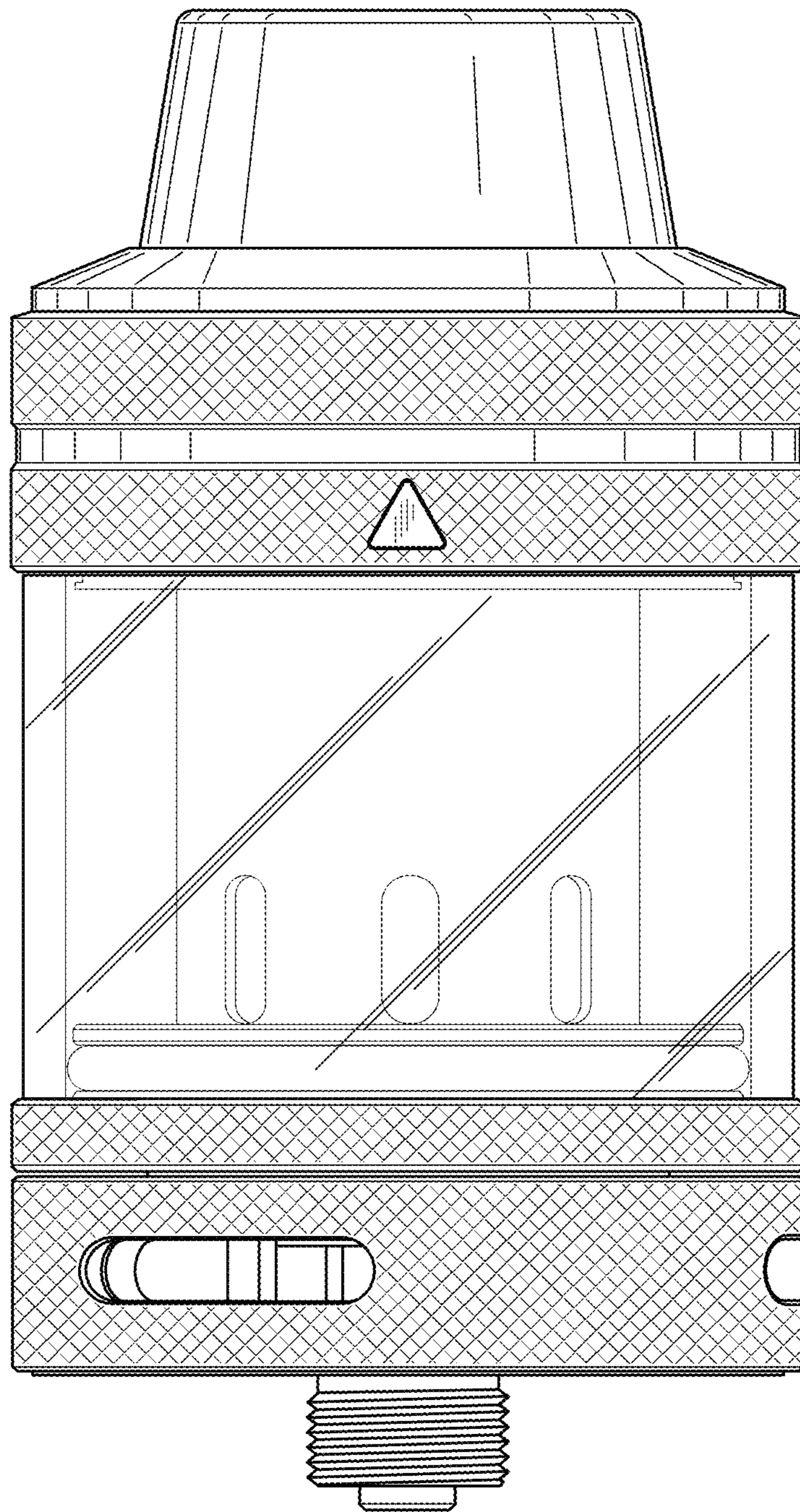


FIG. 4

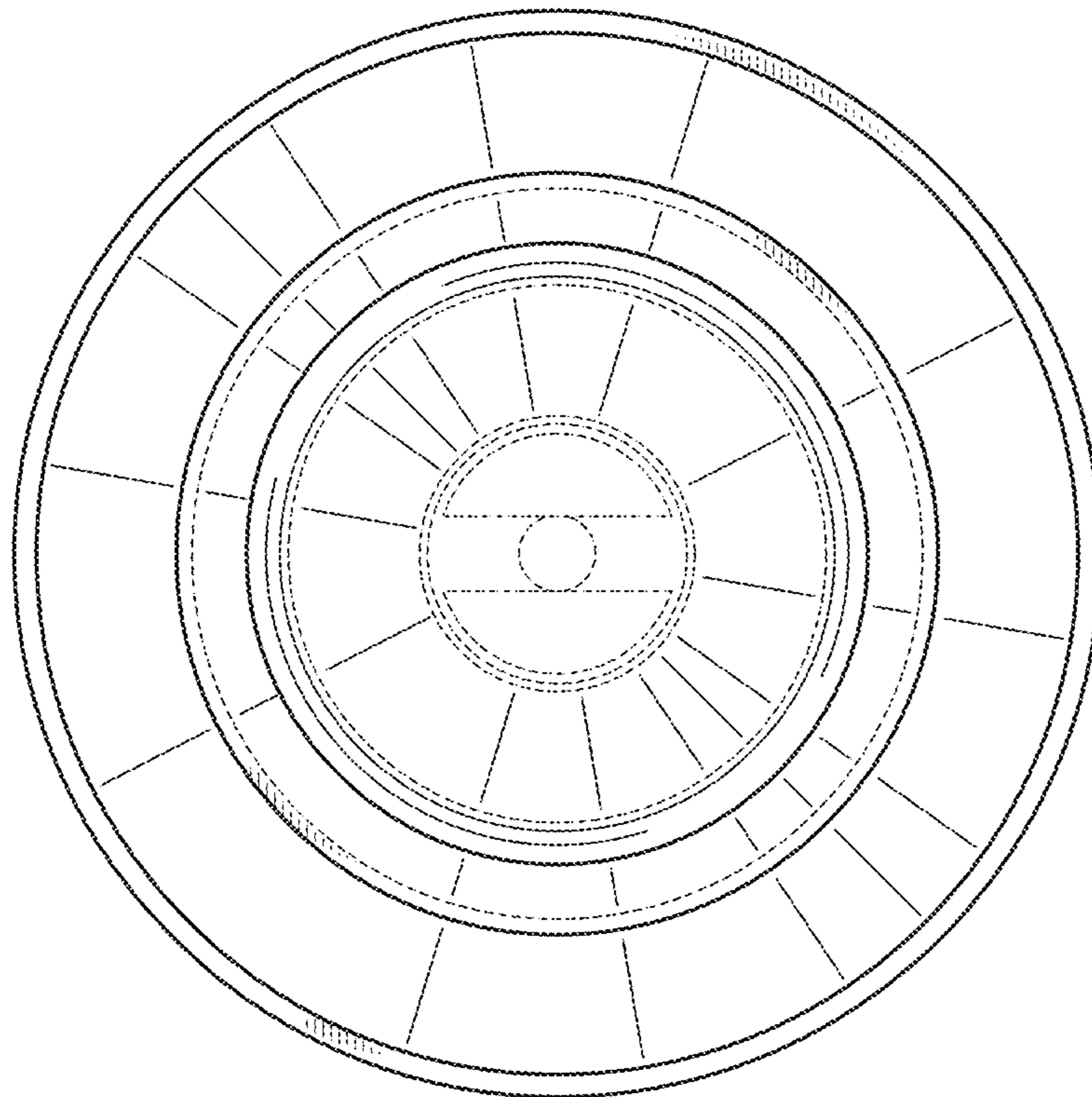


FIG. 5

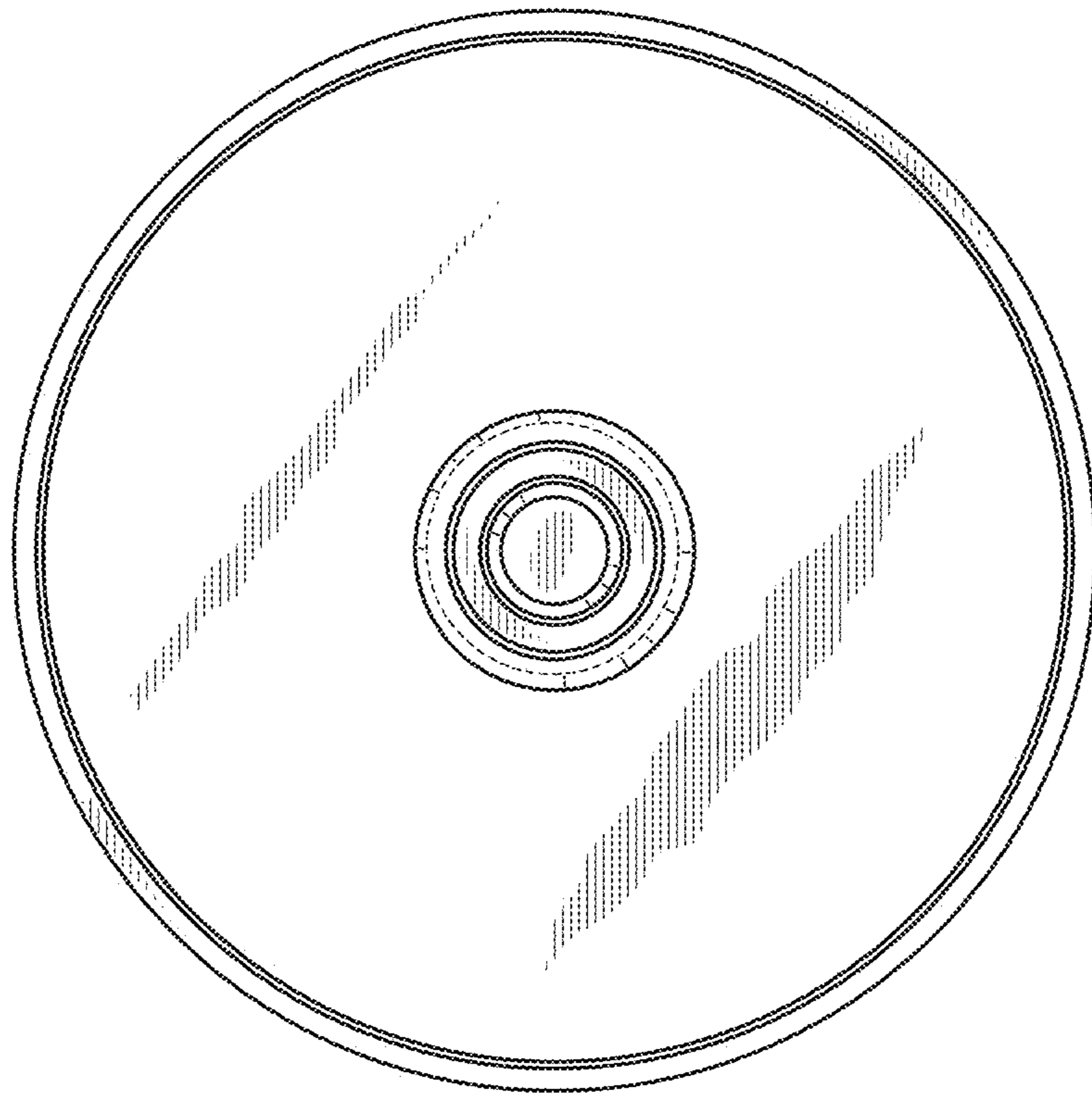


FIG. 6

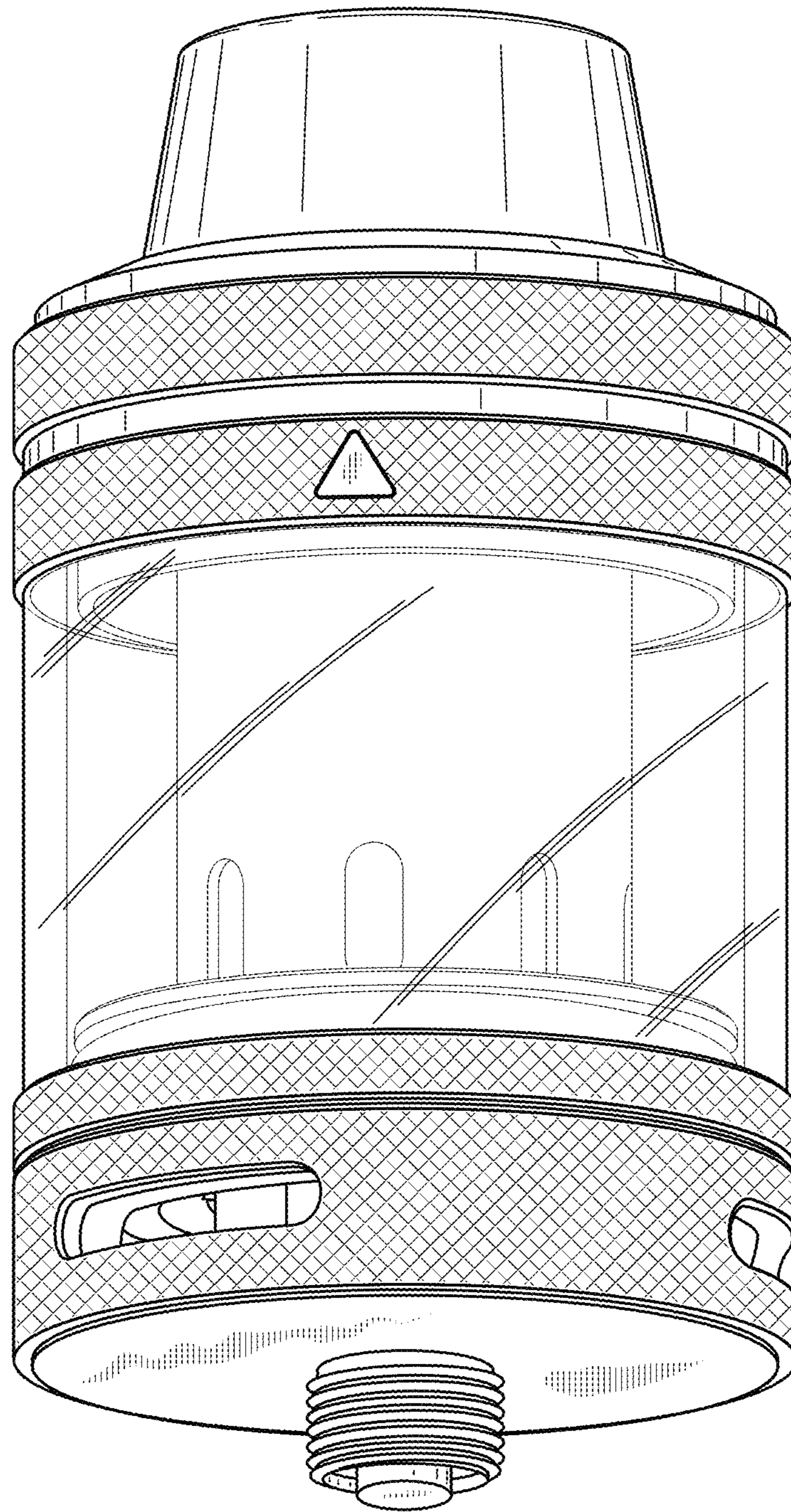


FIG. 7