



US00D900384S

(12) **United States Design Patent** (10) **Patent No.:** **US D900,384 S**
Bucher et al. (45) **Date of Patent:** **** Oct. 27, 2020**

(54) **VEHICLE HEADLIGHT LENS**

(56) **References Cited**

(71) Applicant: **Ford Global Technologies, LLC**,
Dearborn, MI (US)
(72) Inventors: **George Bucher**, Dearborn, MI (US);
Craig S. Metros, Bloomfield, MI (US);
Dean Carbis, Bloomfield Hills, MI
(US); **Steven Gilmore**, Farmington
Hills, MI (US); **Jesse R. Diephuis**,
West Bloomfield, MI (US)
(73) Assignee: **Ford Global Technologies, LLC**,
Dearborn, MI (US)
(**) Term: **15 Years**
(21) Appl. No.: **29/727,408**
(22) Filed: **Mar. 10, 2020**

U.S. PATENT DOCUMENTS

D425,240 S * 5/2000 Goeckeritz D26/139
D465,861 S * 11/2002 Huang D26/139
D511,220 S * 11/2005 Lin D26/139
D723,213 S * 2/2015 Campagna D26/139
D868,358 S * 11/2019 Lai D26/139

* cited by examiner

Primary Examiner — Marcus A Jackson

Related U.S. Application Data

(62) Division of application No. 29/631,977, filed on Jan.
4, 2018, now Pat. No. Des. 877,942.
(51) **LOC (12) Cl.** **26-99**
(52) **U.S. Cl.**
USPC **D26/139**
(58) **Field of Classification Search**
USPC D26/28-36, 139
CPC F21S 48/00; F21S 48/10; F21S 48/115;
F21S 48/225; F21S 48/1233; F21S
48/1266; F21S 48/1388; F21S 48/2268;
F21V 21/04; F21V 29/004; B60Q 9/13;
B60Q 9/135; B60Q 9/1375
See application file for complete search history.

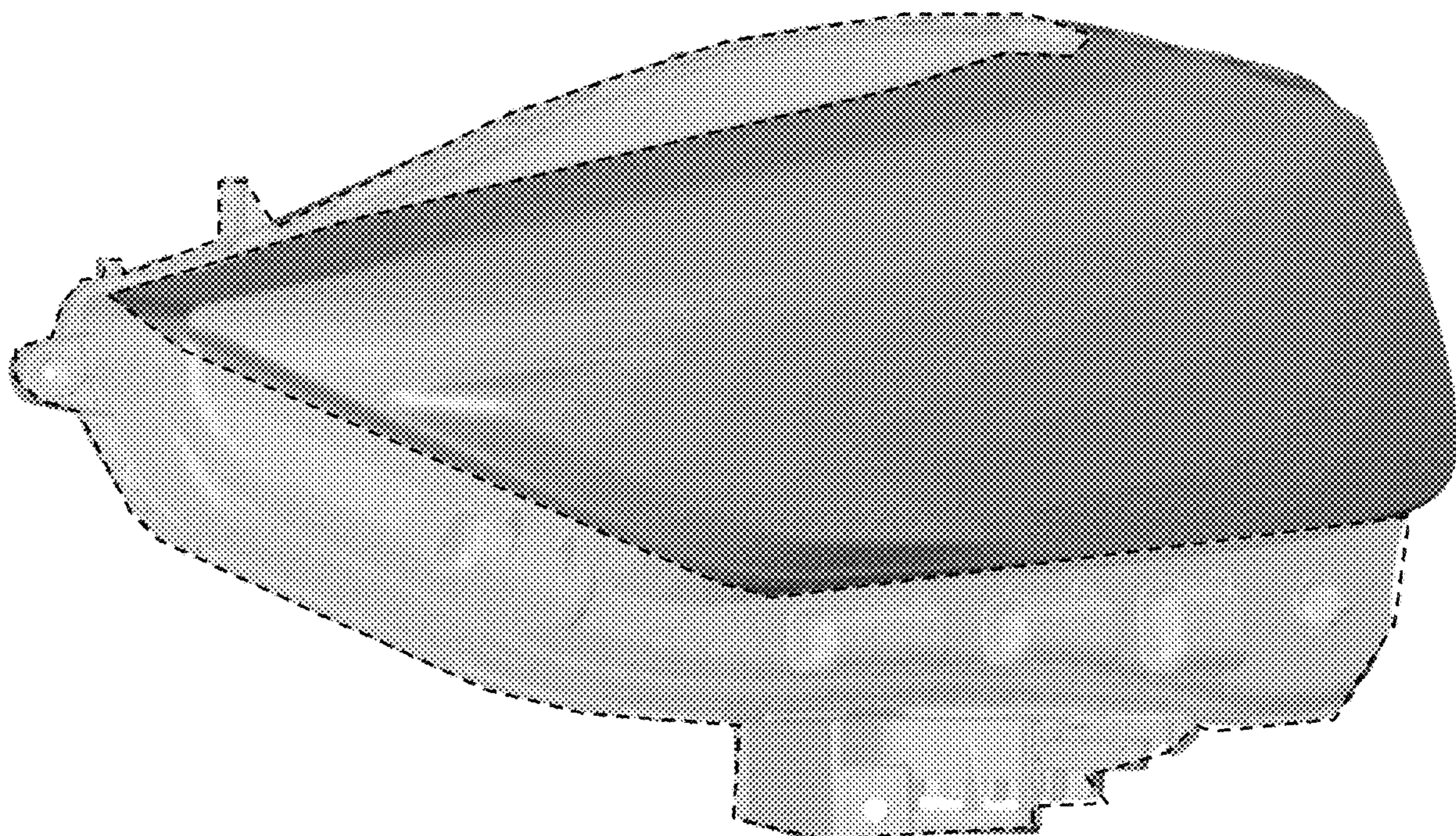
(57) **CLAIM**

The ornamental design for a vehicle headlight lens, as shown
and described.

DESCRIPTION

FIG. 1 is a front elevational view of a vehicle headlight lens,
showing our new design;
FIG. 2 is a rear elevational view thereof;
FIG. 3 is a left side elevational view thereof;
FIG. 4 is a right side elevational view thereof;
FIG. 5 is a top plan view thereof;
FIG. 6 is a bottom plan view thereof;
FIG. 7 is a top, front, and left side perspective view thereof;
FIG. 8 is a bottom, front, and left side perspective view
thereof; and,
FIG. 9 is a top, rear, and left side perspective view thereof.
Any broken lines represent an internal boundary of the
design; the line itself and the area within form no part of the
claim.

1 Claim, 9 Drawing Sheets



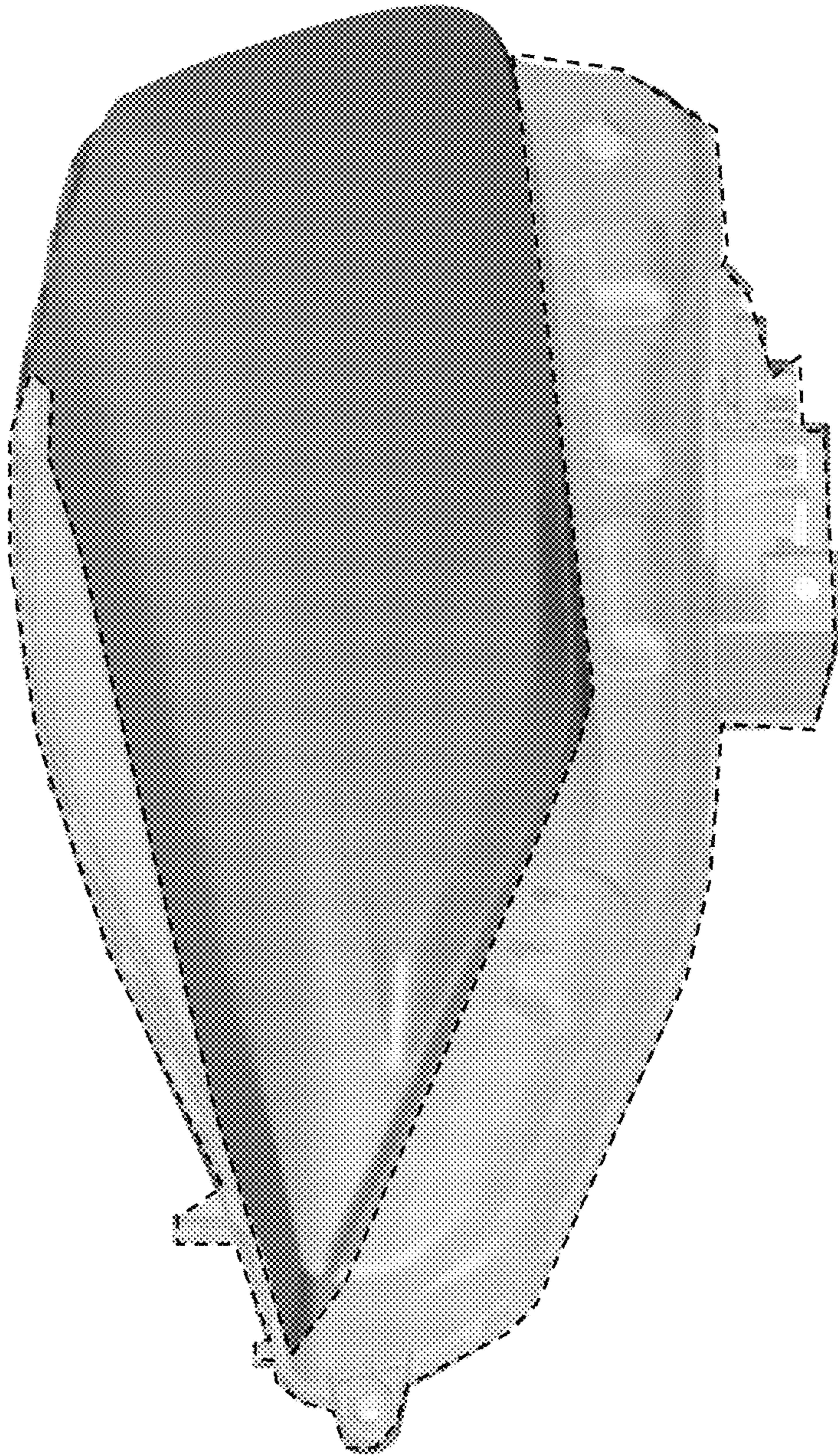


Fig. 1

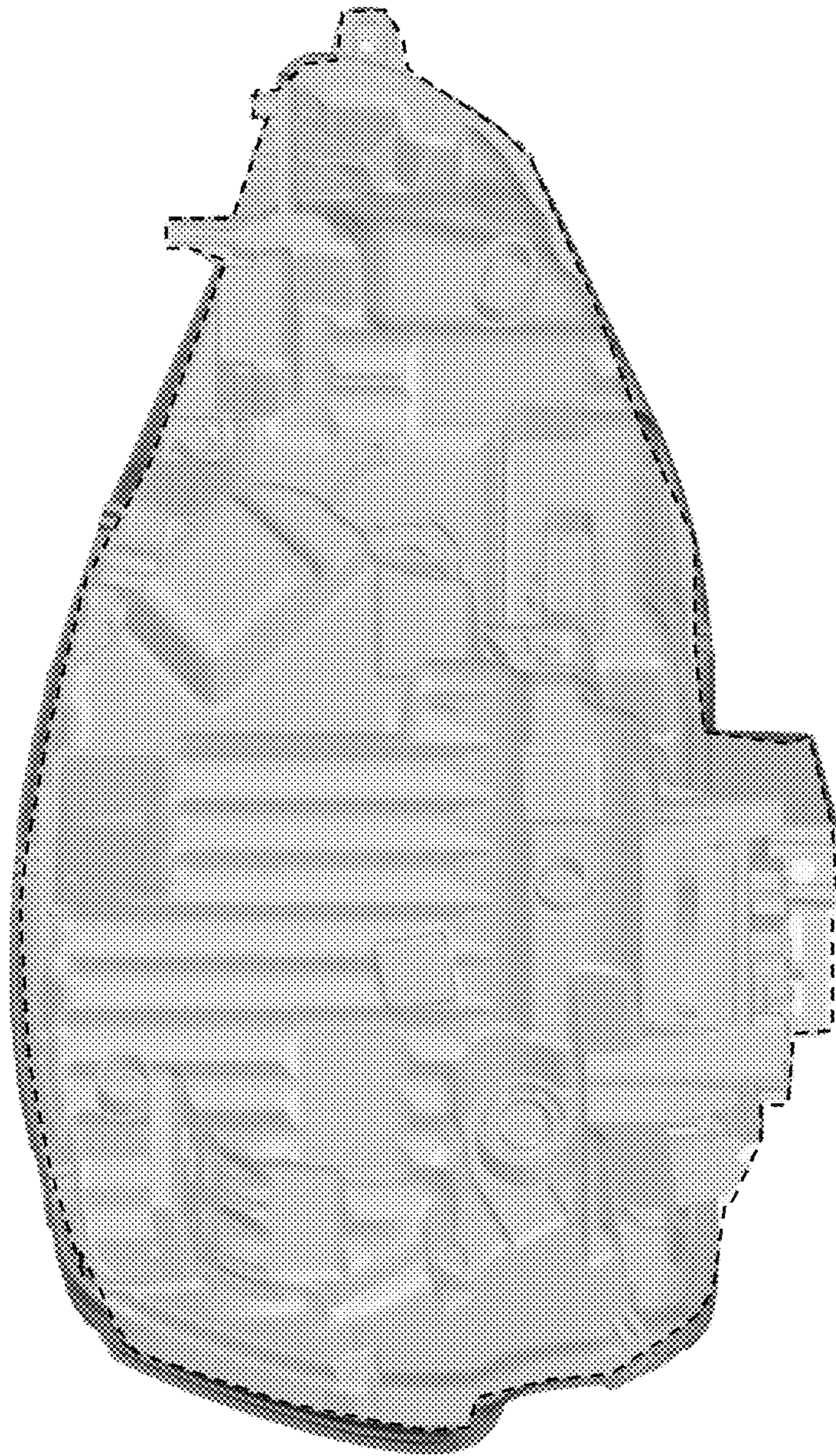


Fig. 2

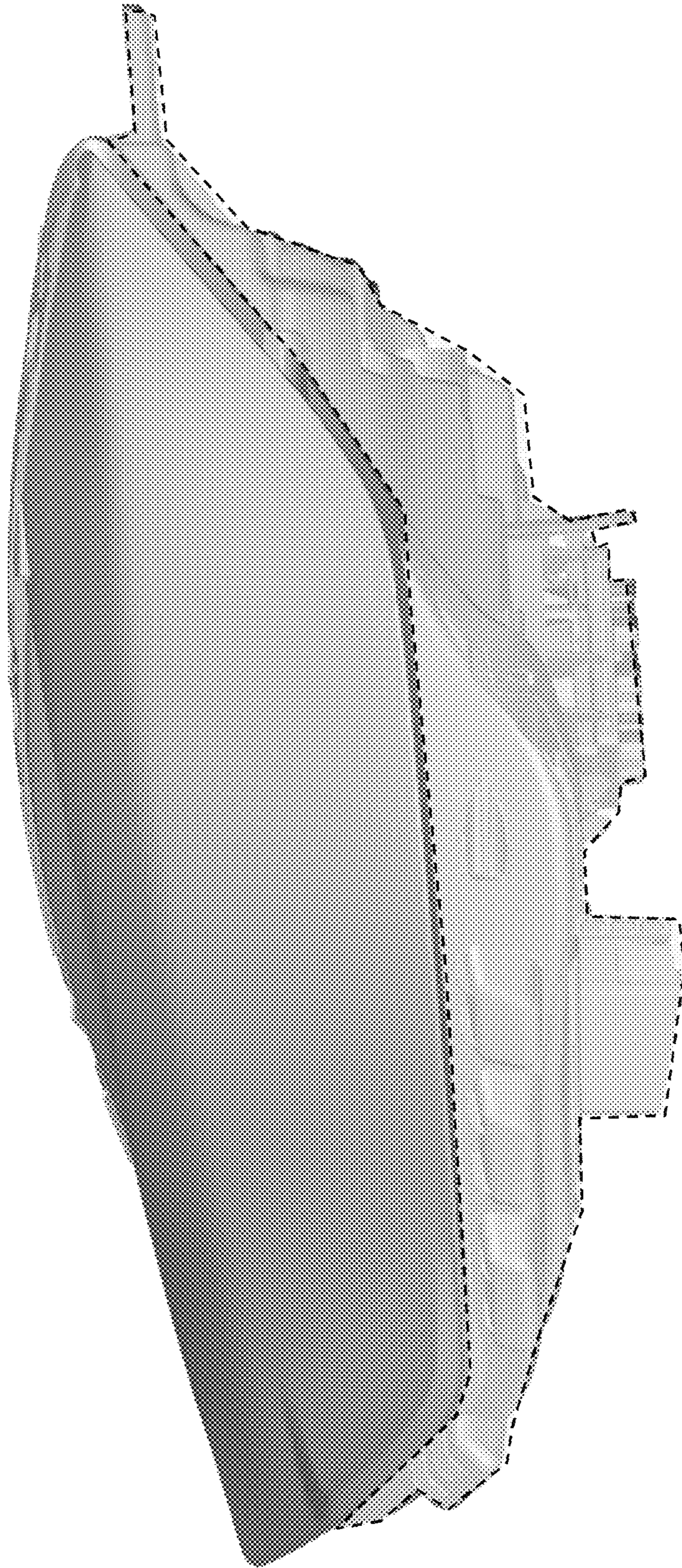


Fig. 3

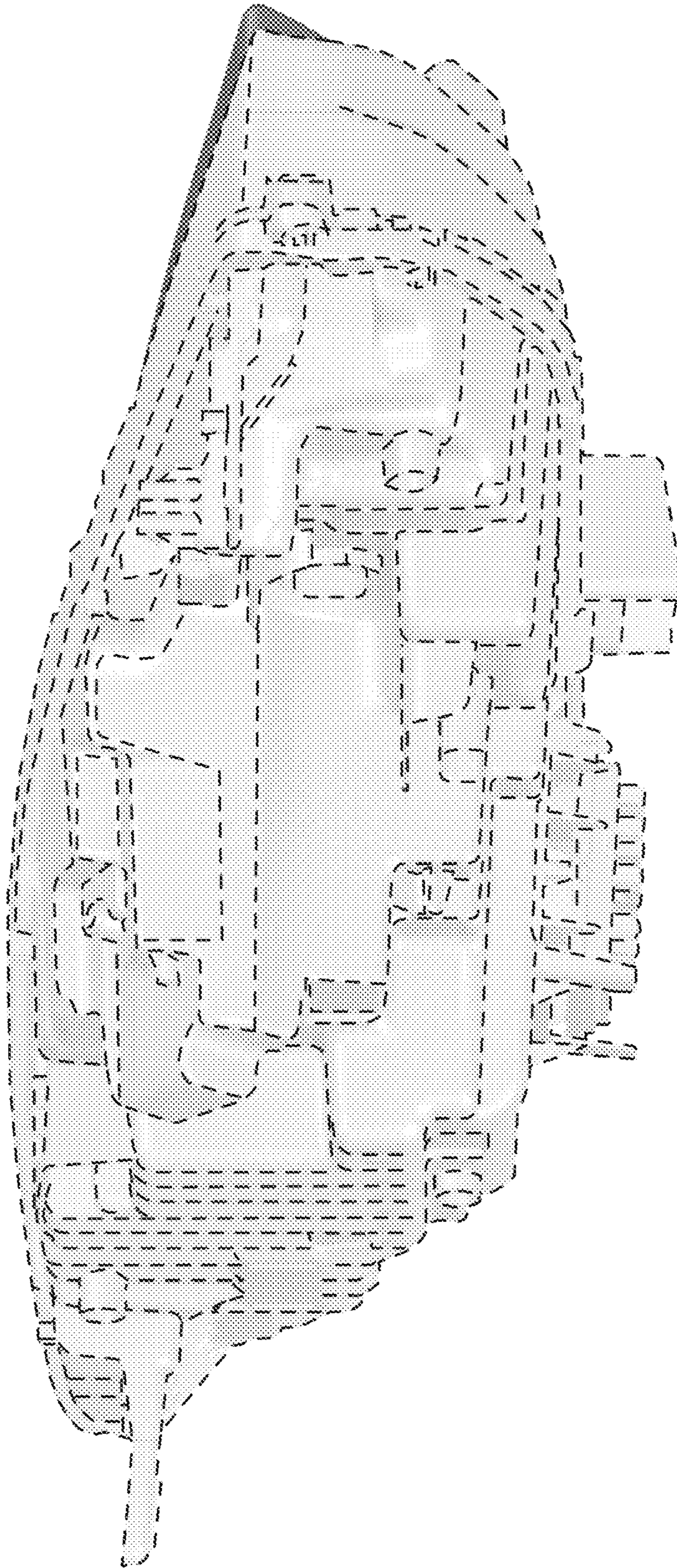


Fig. 4

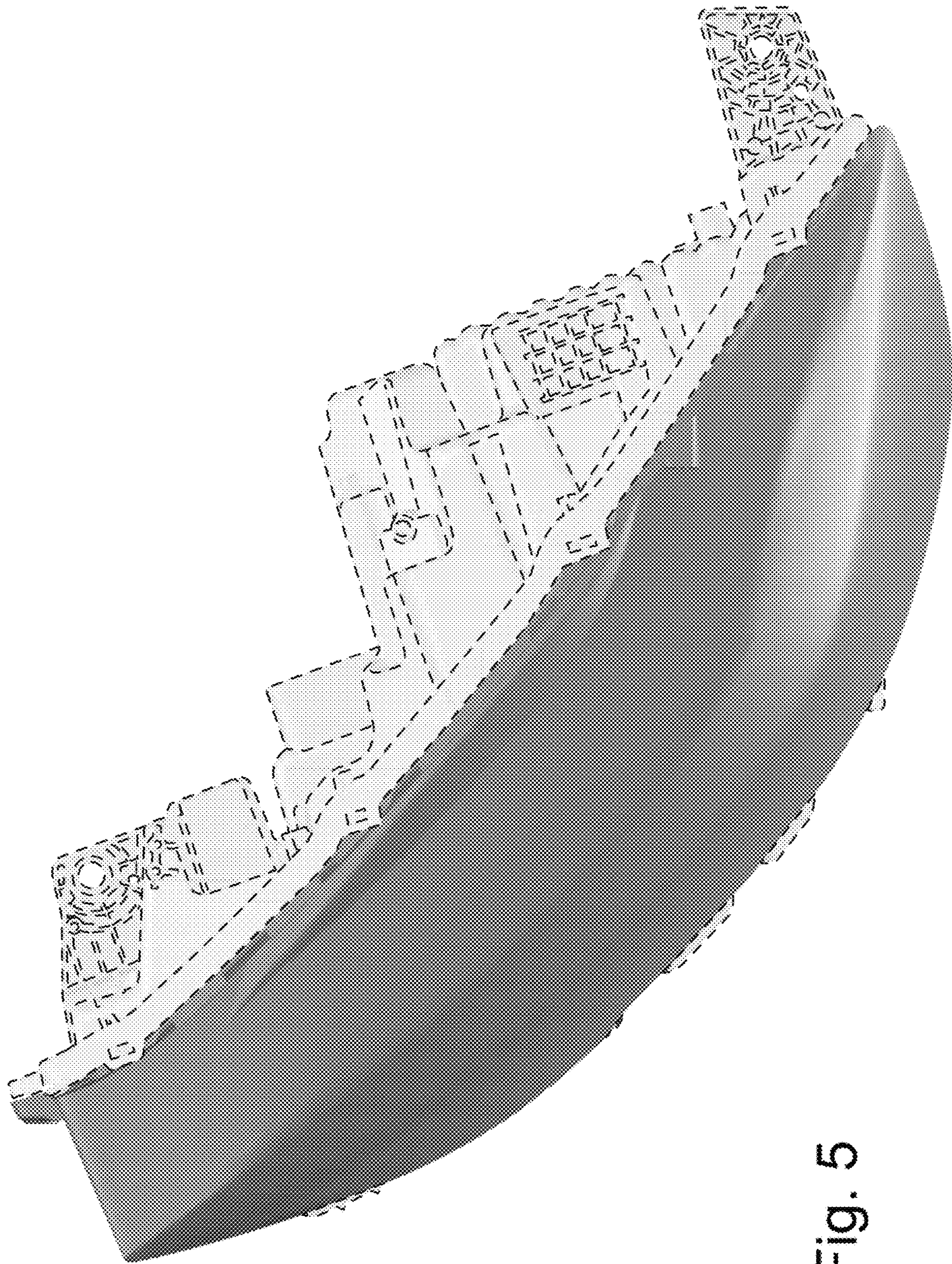


Fig. 5

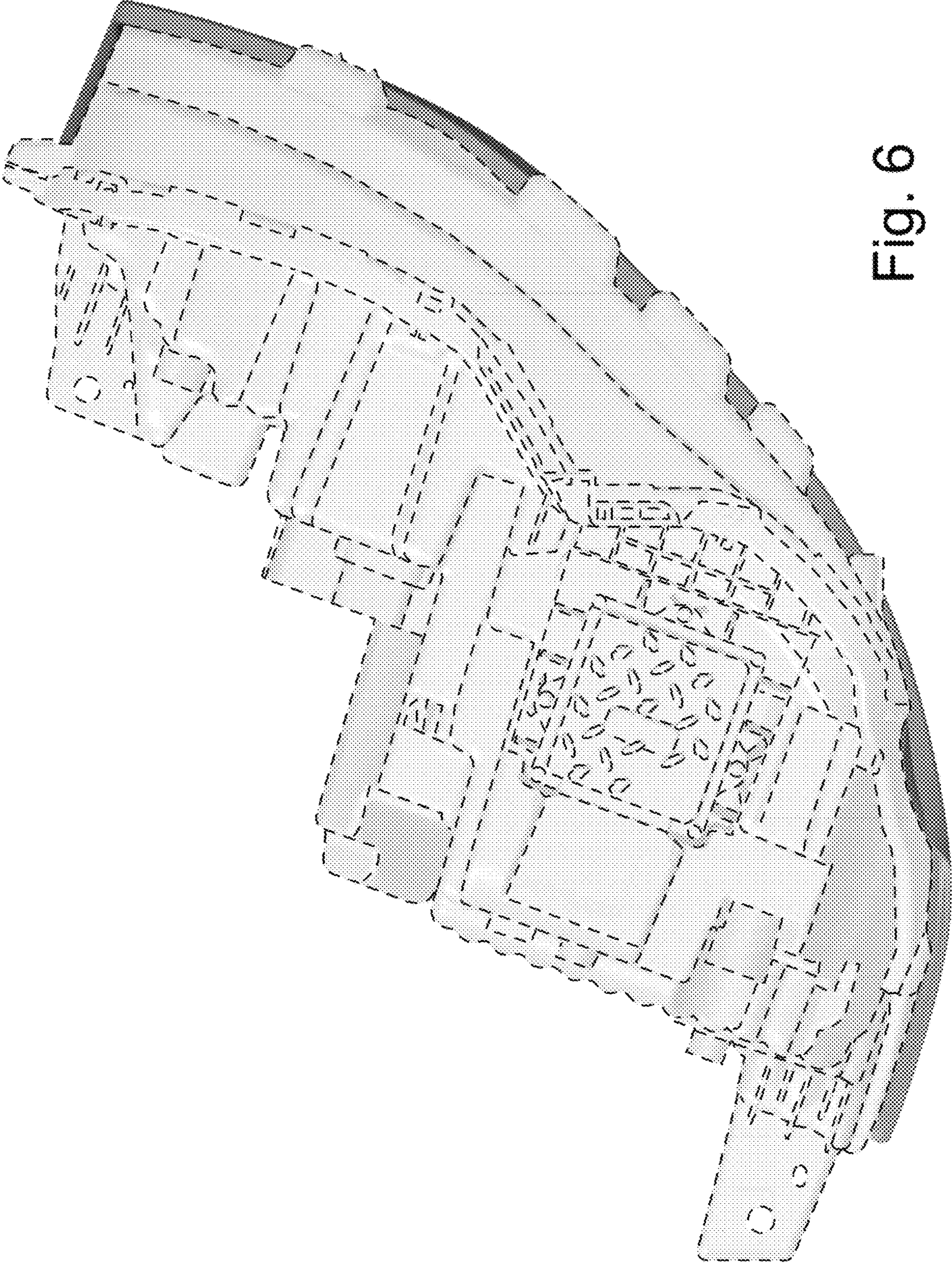


Fig. 6

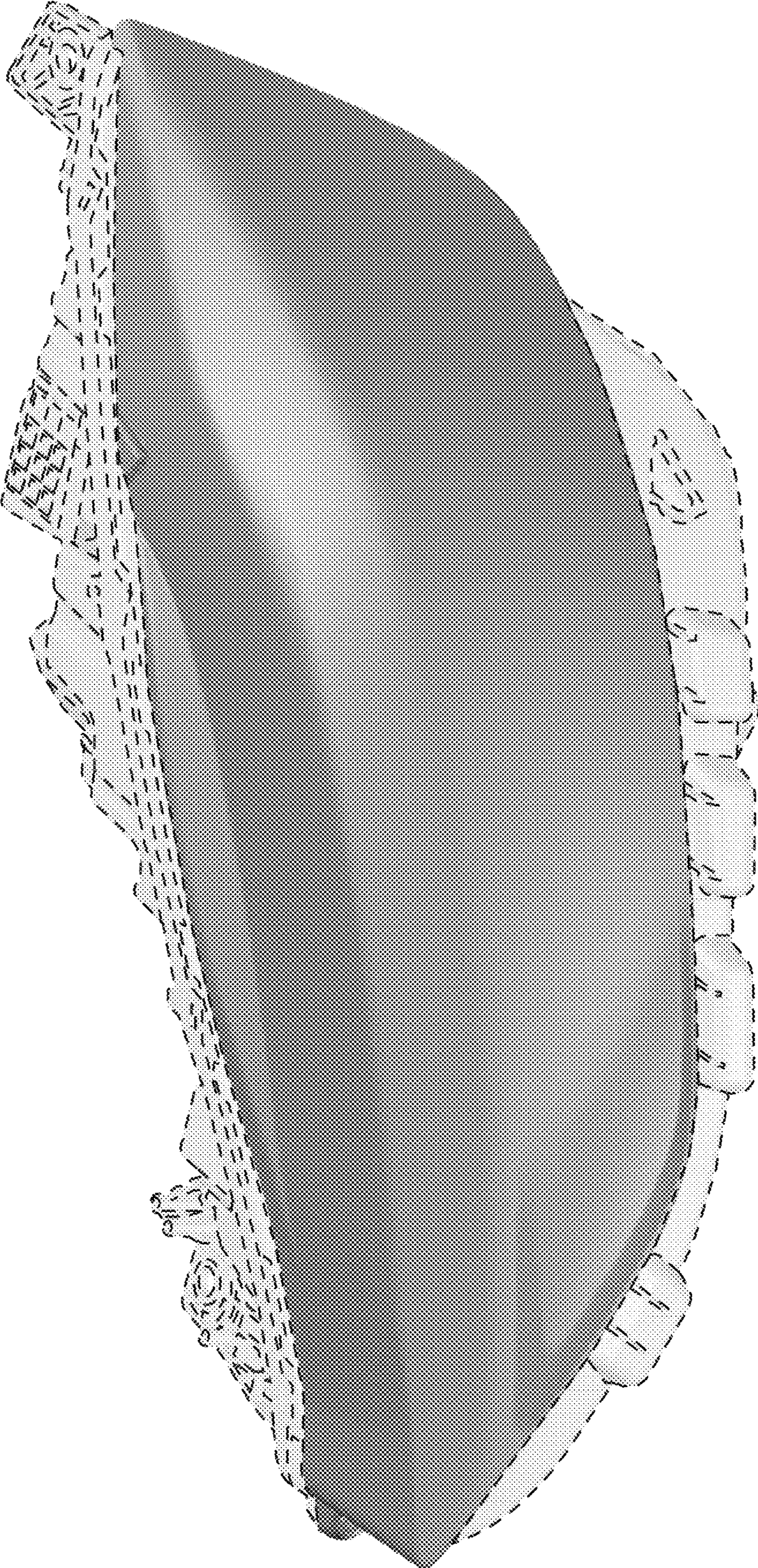


Fig. 7

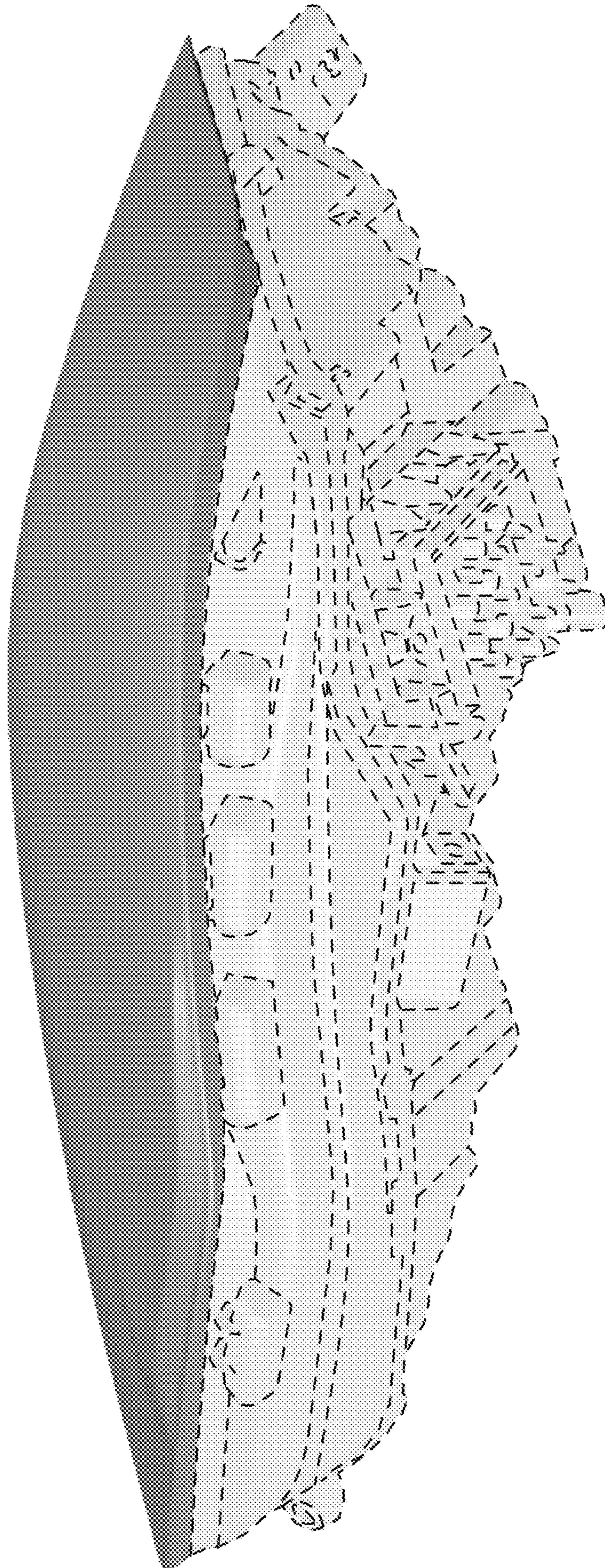


Fig. 8

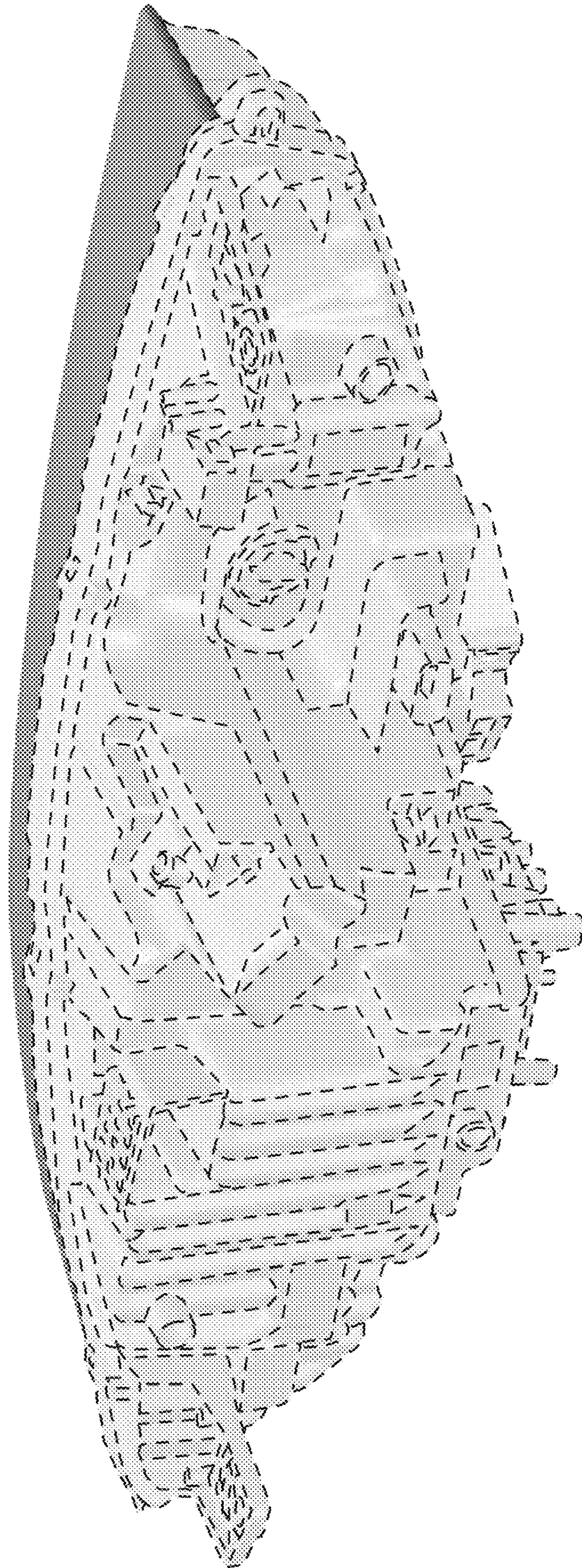


Fig. 9