



US00D900381S

(12) **United States Design Patent**
Harjunpää

(10) **Patent No.:** **US D900,381 S**

(45) **Date of Patent:** **** Oct. 27, 2020**

(54) **LIGHT DIFFUSER**

(71) Applicant: **Ledil Oy**, Salo (FI)

(72) Inventor: **Kimmo Harjunpää**, Halikko (FI)

(73) Assignee: **LEDIL OY**, Salo (FI)

(**) Term: **15 Years**

(21) Appl. No.: **29/695,464**

(22) Filed: **Jun. 19, 2019**

(30) **Foreign Application Priority Data**

Dec. 19, 2018 (EM) 005930021-0004

(51) **LOC (12) Cl.** **26-05**

(52) **U.S. Cl.**
USPC **D26/118**

(58) **Field of Classification Search**
USPC D26/24, 76, 88, 113, 118, 119, 120, 122,
D26/133, 138; 362/217.01, 217.1, 217.2,
362/317, 325, 362
CPC F21V 15/01; F21V 15/02; F21V 15/012;
F21V 1/00; F21V 1/12; F21V 1/14; F21V
1/143; F21V 3/00; F21V 3/02; F21V
3/049; F21V 3/061; F21V 13/04; F21Y
2103/00
See application file for complete search history.

(56) **References Cited**

U.S. PATENT DOCUMENTS

D405,906 S * 2/1999 Herst D26/118
D418,626 S * 1/2000 Herst D26/118
D426,338 S * 6/2000 Herst D26/75
D472,665 S * 4/2003 Herst D26/113
D472,668 S * 4/2003 Herst D26/118
D497,024 S * 10/2004 Herst D26/118
D498,018 S * 11/2004 Sieczkowski D26/118

D541,467 S * 4/2007 Gould D26/120
D541,468 S * 4/2007 Mayfield, III D26/120
D563,036 S * 2/2008 Miyairi D26/122
D577,852 S * 9/2008 Miyairi D26/120
D605,329 S * 12/2009 Watt D26/118
D644,374 S * 8/2011 Ferrier D26/118
D644,780 S * 9/2011 Jabra D26/120
D704,372 S * 5/2014 Speier D26/122
D776,862 S * 1/2017 Plourde F21K 9/278
D26/118
D779,112 S * 2/2017 McCanless D26/138
D800,374 S * 10/2017 Klus D26/118
D818,633 S * 5/2018 Barker D26/118
D862,778 S * 10/2019 Antony D26/118
D869,075 S * 12/2019 Trzecieli ski D26/138
D877,399 S * 3/2020 Patti D26/118
2012/0182713 A1 * 7/2012 Bretschneider F21S 4/28
362/84

* cited by examiner

Primary Examiner — Wan Laymon

Assistant Examiner — Clint A Samuel

(74) *Attorney, Agent, or Firm* — Nixon & Vanderhye

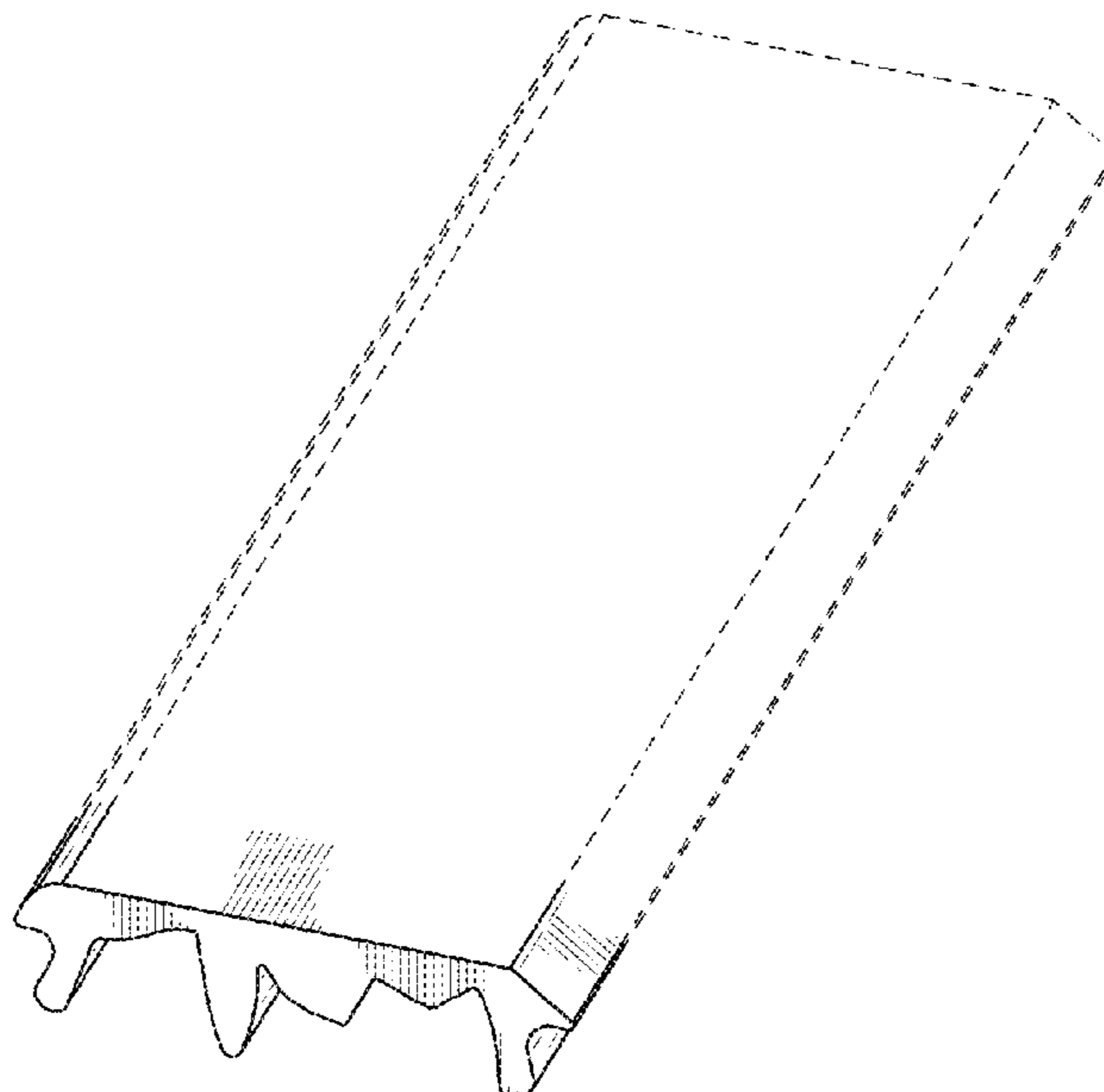
(57) **CLAIM**

The ornamental design for a light diffuser, as shown and described.

DESCRIPTION

FIG. 1 is a bottom plan view of a Light Diffuser showing the new design;
FIG. 2 is a front elevation view thereof;
FIG. 3 is a top, front, and side perspective view thereof;
FIG. 4 is a bottom, front, and side perspective view thereof;
FIG. 5 is a top plan view thereof; and,
FIG. 6 is a side elevation view thereof, wherein the opposite side appears the same in mirror image thereof.
The broken lines shown in the drawings illustrate portions of the Light Diffuser that from no part of the claimed design.

1 Claim, 6 Drawing Sheets



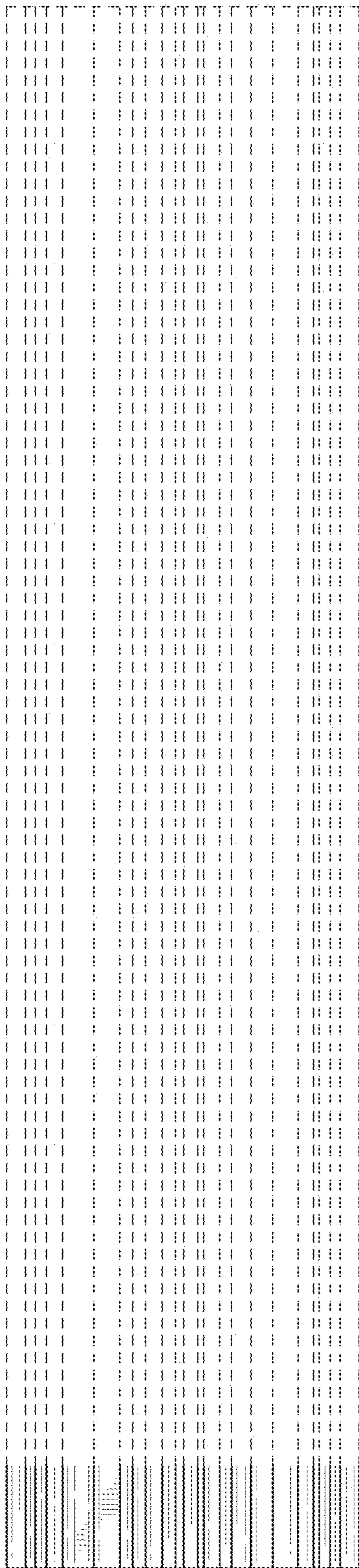


FIG.1

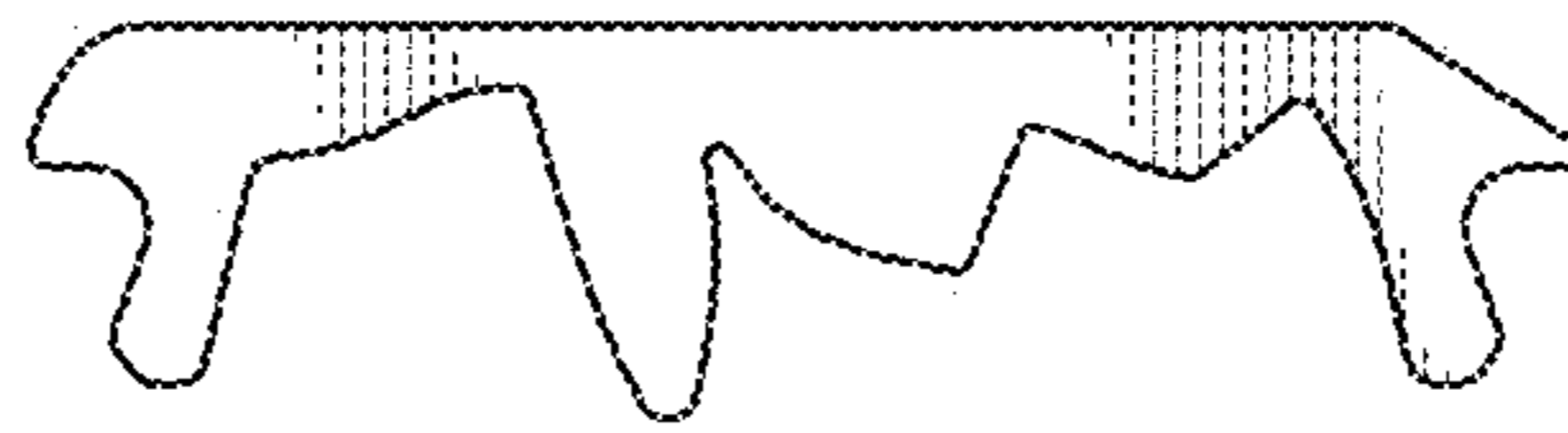


FIG.2

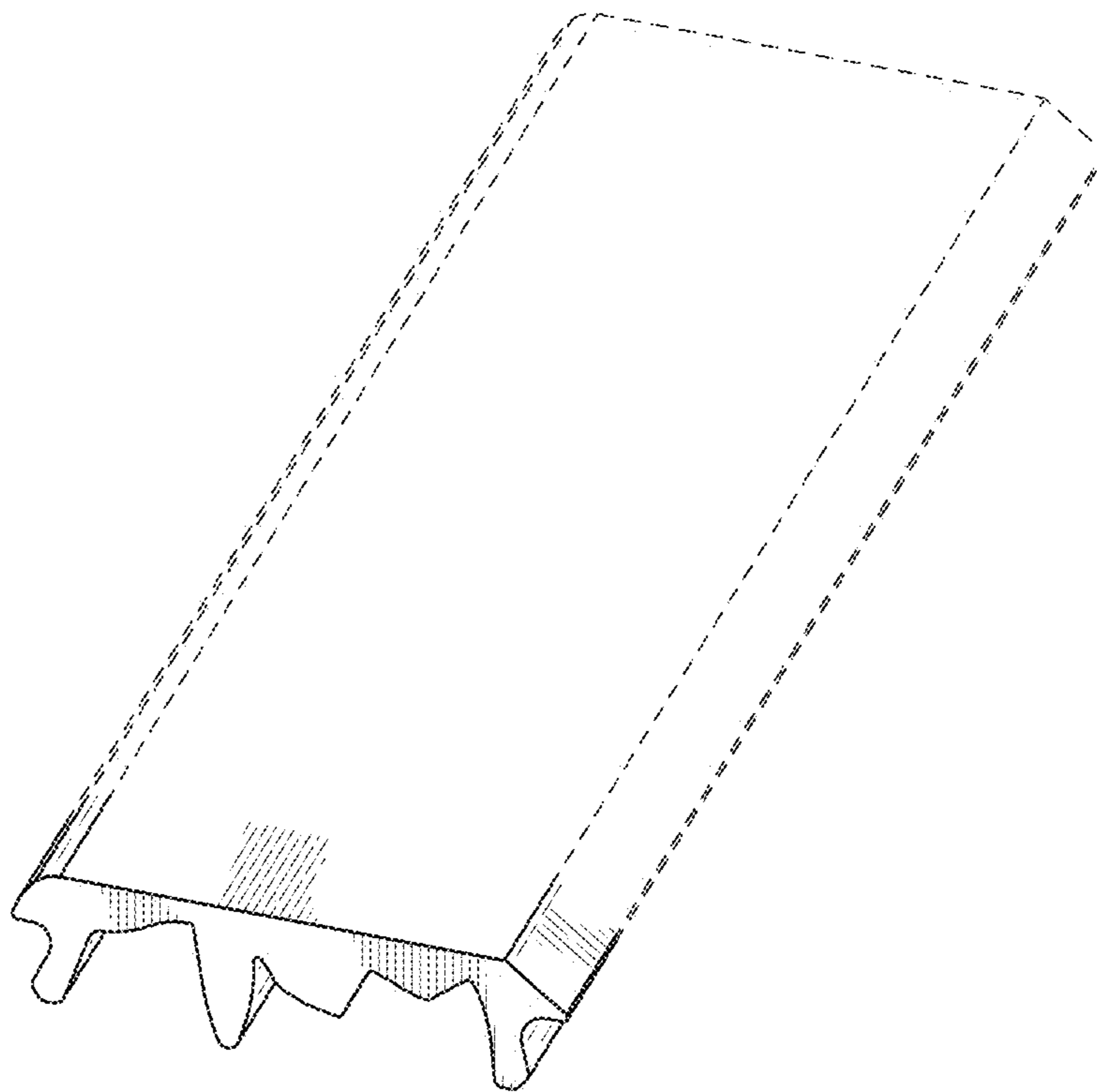


FIG.3

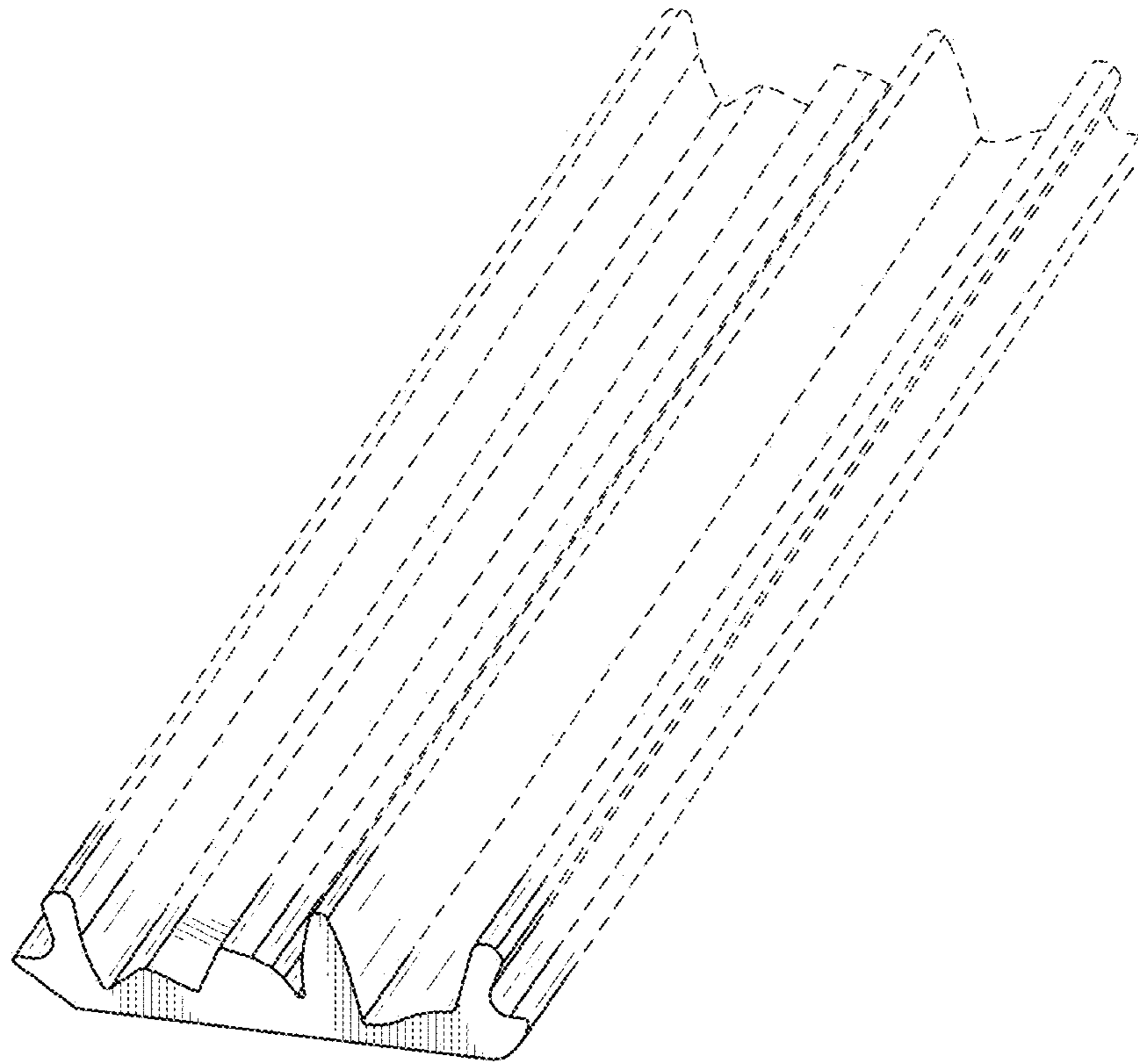


FIG.4

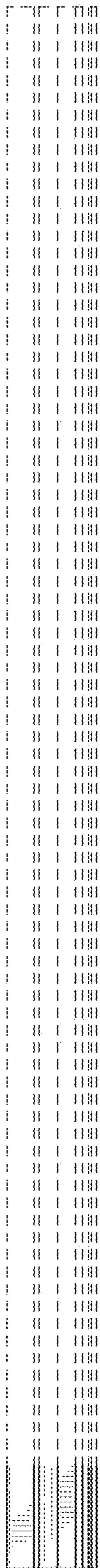


FIG. 5

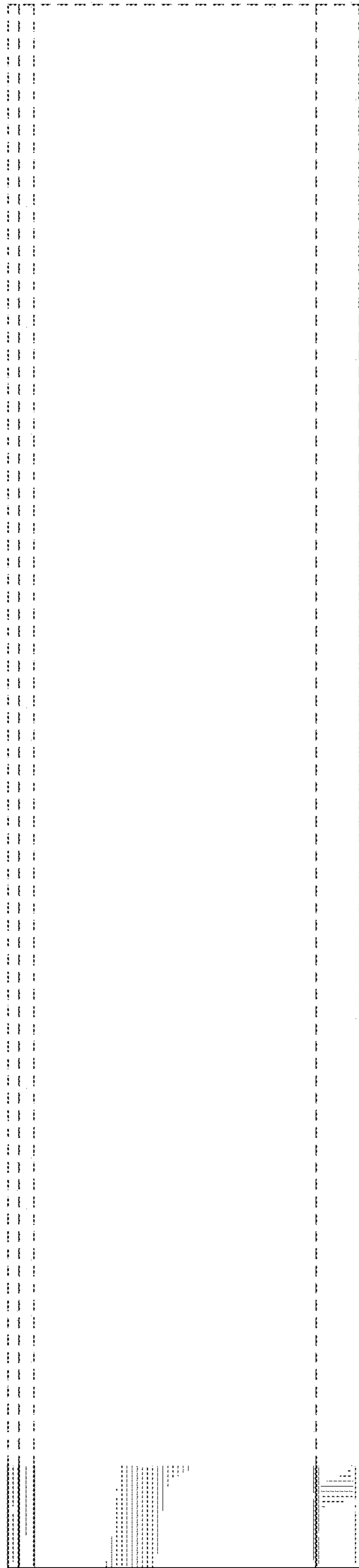


FIG.6