



US00D900379S

(12) **United States Design Patent** (10) **Patent No.:** **US D900,379 S**
McLaughlin (45) **Date of Patent:** **** Oct. 27, 2020**

(54) **LIGHT FIXTURE WITH BEVELED FIN**
 (71) Applicant: **RAB Lighting Inc.**, Northvale, NJ (US)
 (72) Inventor: **James McLaughlin**, Northvale, NJ (US)
 (73) Assignee: **RAB Lighting Inc.**, Northvale, NJ (US)
 (**) Term: **15 Years**
 (21) Appl. No.: **29/665,316**
 (22) Filed: **Oct. 2, 2018**
 (51) **LOC (12) Cl.** **26-05**
 (52) **U.S. Cl.**
 USPC **D26/118**
 (58) **Field of Classification Search**
 USPC D26/1, 24, 61, 63, 118, 119, 123, 124;
 362/217.1, 249.07, 362, 365, 368
 CPC F21V 29/74; F21V 29/83; F21V 29/763;
 F21V 15/00; F21V 15/01; F21V 15/04;
 F21V 15/012; F21V 21/06; F21V 21/15;
 F21V 21/20; F21W 2131/10; F21W
 2131/40; F21W 2131/406; F21W
 2131/1005
 See application file for complete search history.

(56) **References Cited**
 U.S. PATENT DOCUMENTS

1,744,370	A	1/1930	Dietz et al.
D106,774	S	11/1937	Phillips
D203,865	S	2/1966	Cooper
3,363,091	A	1/1968	Cooper
D214,584	S	7/1969	Routh et al.
3,751,657	A	8/1973	Sangiomo et al.
D241,671	S	9/1976	D'Ercoli et al.
4,143,413	A	3/1979	Kelly
4,315,302	A	2/1982	Petralia
4,379,321	A	4/1983	Plemmons et al.
4,480,809	A	11/1984	Healey

4,488,205	A	12/1984	Quiogue
4,626,975	A	12/1986	Miletich
D295,791	S	5/1988	Strandberg
D300,864	S	4/1989	Titmarsh
D308,111	S	5/1990	Banathy et al.
D319,891	S	9/1991	Giese
D345,025	S	3/1994	Tsao
D345,226	S	3/1994	Tsao
D355,502	S	2/1995	Liao
D357,992	S	5/1995	Mehaffey
D360,962	S	8/1995	Cornell et al.
D407,836	S	4/1999	Leen
D420,458	S	2/2000	Guercio
D434,515	S	11/2000	McNamara
D453,227	S	1/2002	Lin
D465,592	S	11/2002	Lin

(Continued)

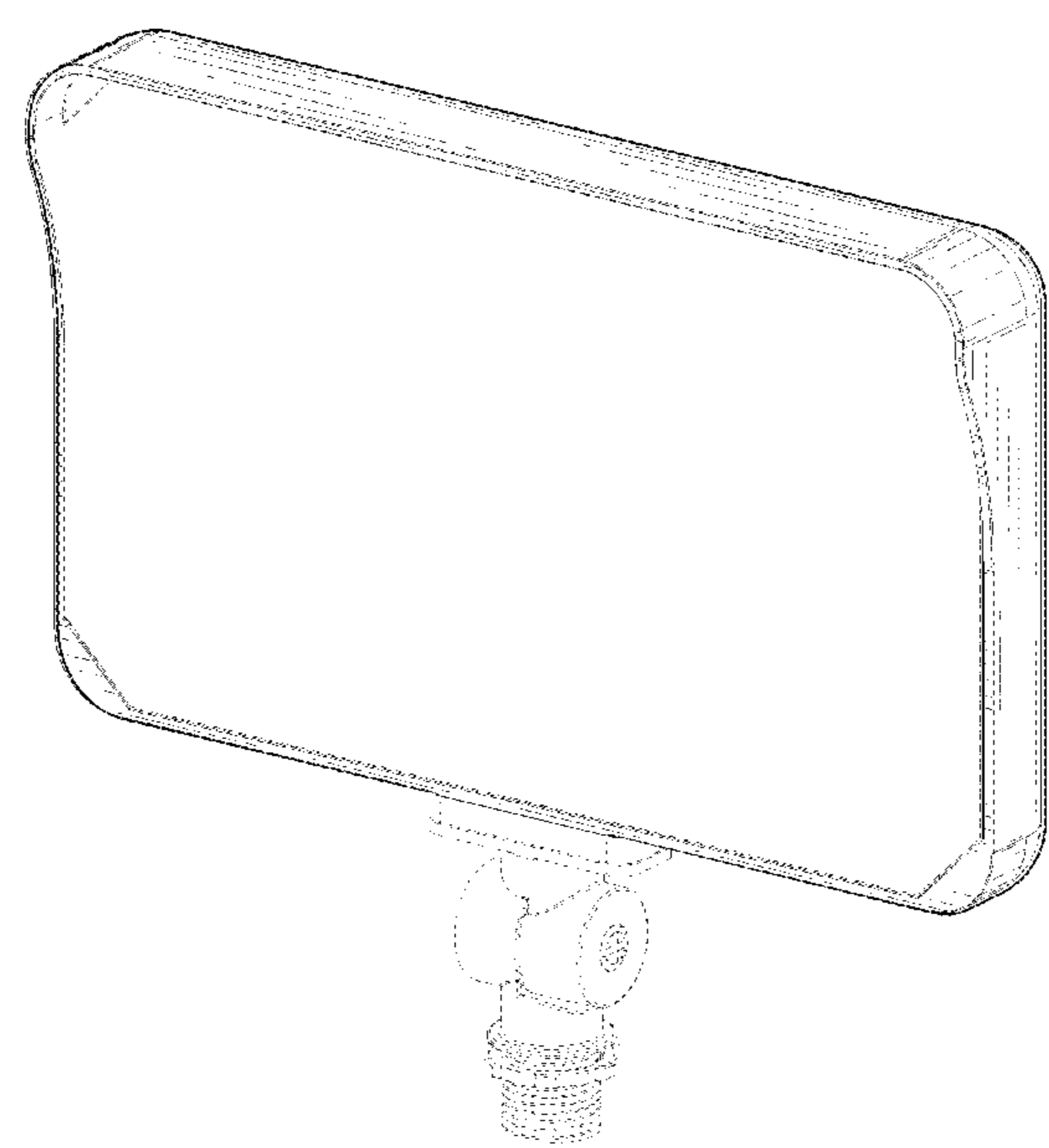
Primary Examiner — Wan Laymon
Assistant Examiner — Clint A Samuel
 (74) *Attorney, Agent, or Firm* — Frost Brown Todd LLC;
 Dennis S. Schell; Kevin C. Oschman

(57) **CLAIM**
 The ornamental design for a light fixture with beveled fins, as shown and described.

DESCRIPTION

FIG. 1 is a front perspective view of a light fixture with beveled fins, showing the new design;
 FIG. 2 is a rear perspective view;
 FIG. 3 is a front view;
 FIG. 4 is a rear view;
 FIG. 5 is a left side view;
 FIG. 6 is a right side view;
 FIG. 7 is a top view; and,
 FIG. 8 is a bottom view.
 The broken lines shown in the drawings are included for the purpose of illustrating unclaimed portions of the light fixture with beveled fins and form no part of the claimed design.

1 Claim, 6 Drawing Sheets



(56)

References Cited

U.S. PATENT DOCUMENTS

D475,154 S 5/2003 Binsukor
 D479,015 S 8/2003 Tang
 D544,125 S 6/2007 Guercio
 D545,471 S 6/2007 Guercio
 D545,472 S 6/2007 Guercio
 D545,987 S 7/2007 Guercio
 D547,477 S 7/2007 Guercio
 D547,478 S 7/2007 Guercio
 D549,380 S 8/2007 Guercio
 D550,387 S 9/2007 Guercio
 D550,392 S 9/2007 Guercio
 D550,877 S 9/2007 Mullen
 D552,282 S 10/2007 Guercio
 D552,283 S 10/2007 Guercio
 D552,778 S 10/2007 Butler
 D561,369 S 2/2008 Sandell
 D561,370 S 2/2008 Sandell
 D565,223 S 3/2008 Guercio
 D566,318 S 4/2008 Quiogue et al.
 D574,102 S 7/2008 Quiogue et al.
 D577,141 S 9/2008 Monroe
 7,527,390 B2 5/2009 Kakuta
 D610,734 S 2/2010 Ward et al.
 D611,635 S 3/2010 Gordin
 D612,975 S 3/2010 Guercio et al.
 D618,374 S 6/2010 Guercio
 D625,450 S 10/2010 Rosenkrantz et al.

D629,550 S 12/2010 Sandell
 D635,712 S 4/2011 Leen
 D642,719 S 8/2011 Lindholm et al.
 D643,147 S 8/2011 Guercio et al.
 D648,479 S 11/2011 Herman
 8,403,530 B2 3/2013 Singer et al.
 D679,856 S * 4/2013 Guercio D26/118
 D695,949 S * 12/2013 Gordin D26/118
 8,646,948 B1 2/2014 Reo et al.
 D739,072 S * 9/2015 Adams D26/118
 D739,594 S * 9/2015 Adams D26/118
 D740,997 S 10/2015 Chang et al.
 D751,751 S * 3/2016 Lockart D26/118
 D770,078 S * 10/2016 Largent D26/118
 D772,474 S 11/2016 Chang et al.
 D775,401 S * 12/2016 Sibitzky D26/118
 D775,402 S * 12/2016 Sibitzky D26/118
 D775,403 S * 12/2016 Adams D26/118
 D784,599 S * 4/2017 Sibitzky D26/118
 D805,241 S * 12/2017 Fletcher D26/118
 D807,538 S 1/2018 Guercio et al.
 D851,297 S * 6/2019 Dennis D26/28
 D862,758 S * 10/2019 Zhu D26/63
 D863,613 S * 10/2019 Korpi D26/28
 D864,428 S * 10/2019 Yang D26/24
 2010/0091507 A1 4/2010 Li et al.
 2011/0292652 A1 12/2011 Huang et al.
 2012/0236558 A1 9/2012 Roudeski et al.
 2012/0293989 A1 11/2012 Duan et al.

* cited by examiner

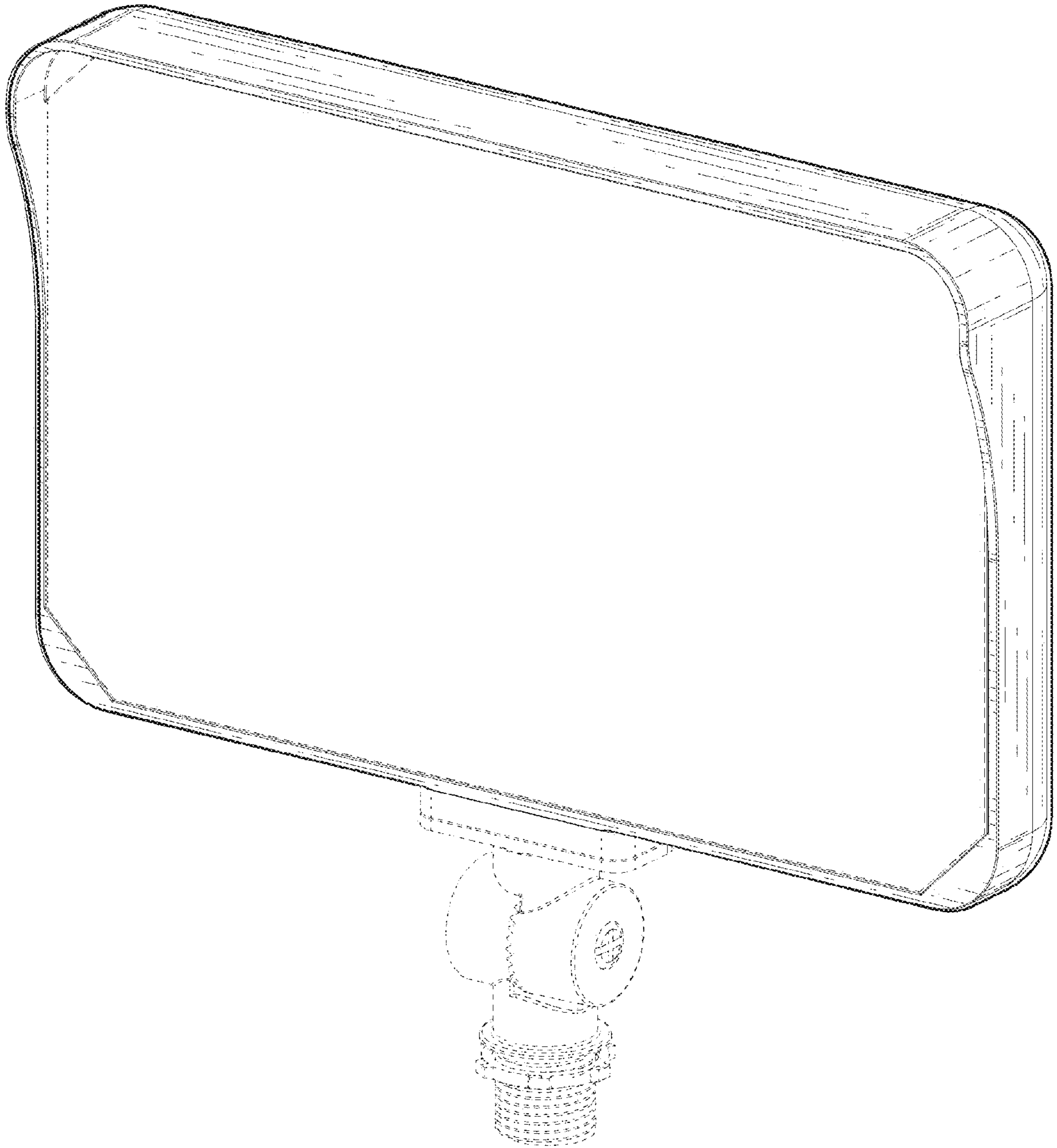


Fig. 1

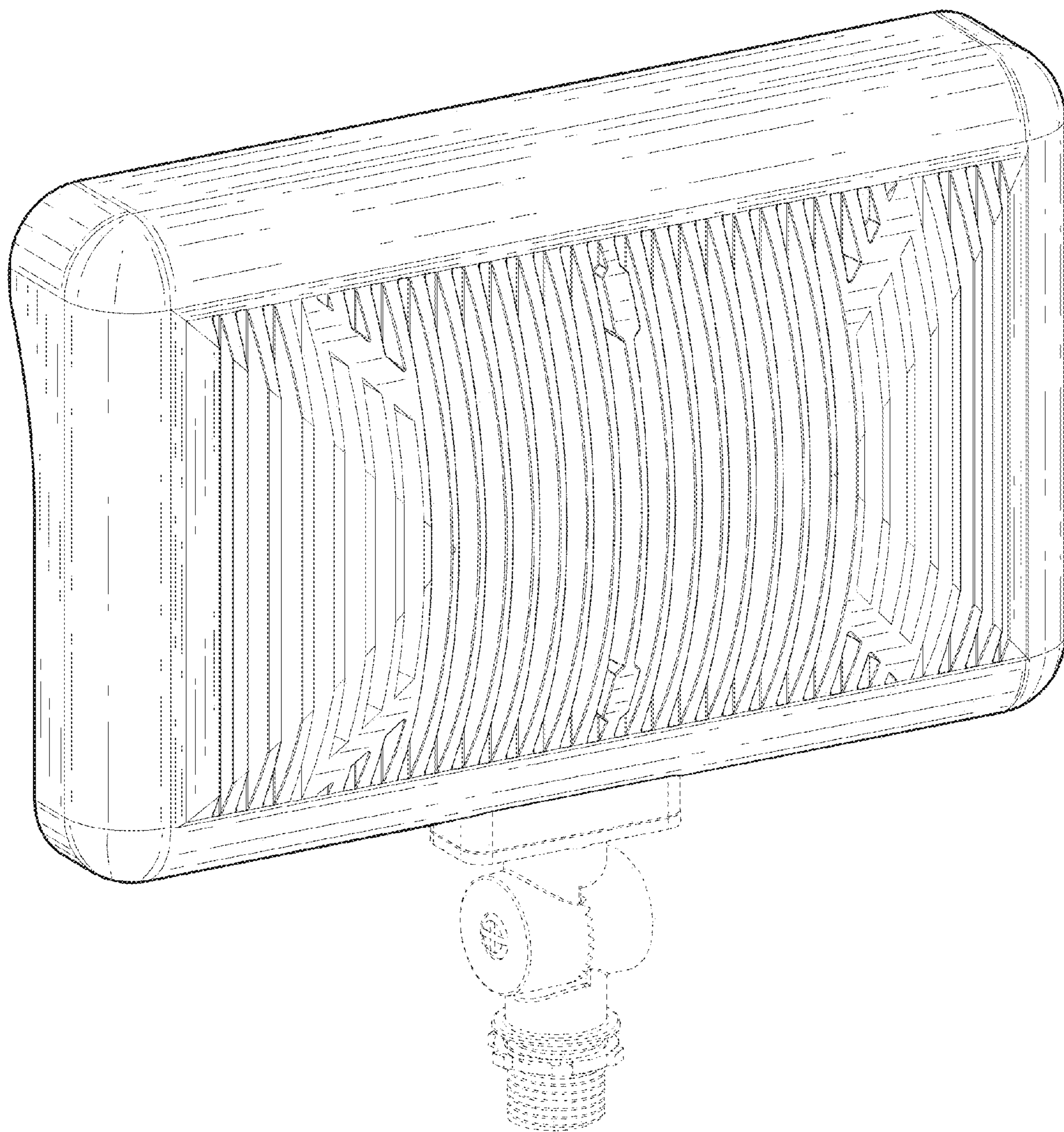


Fig. 2

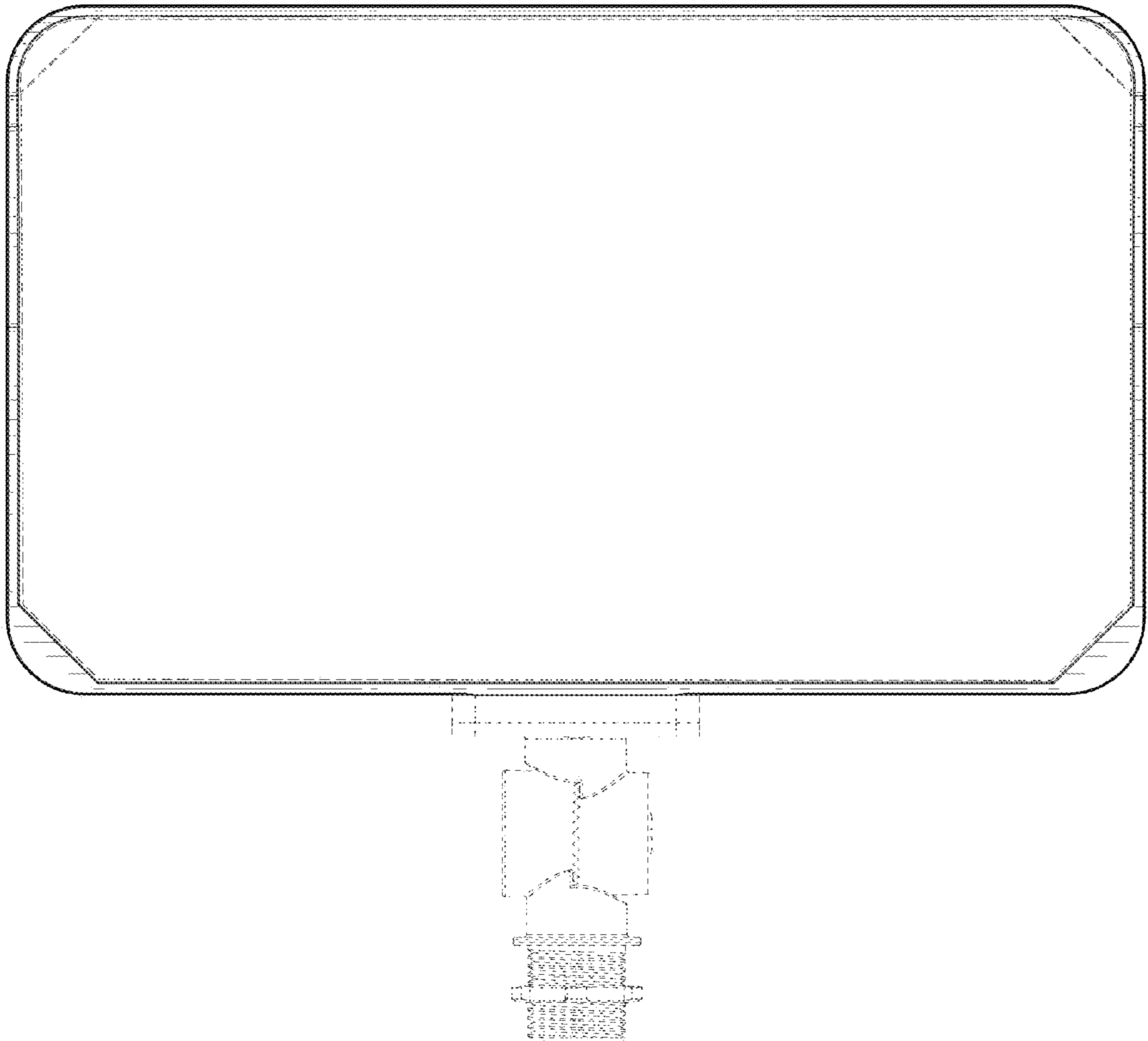


Fig. 3

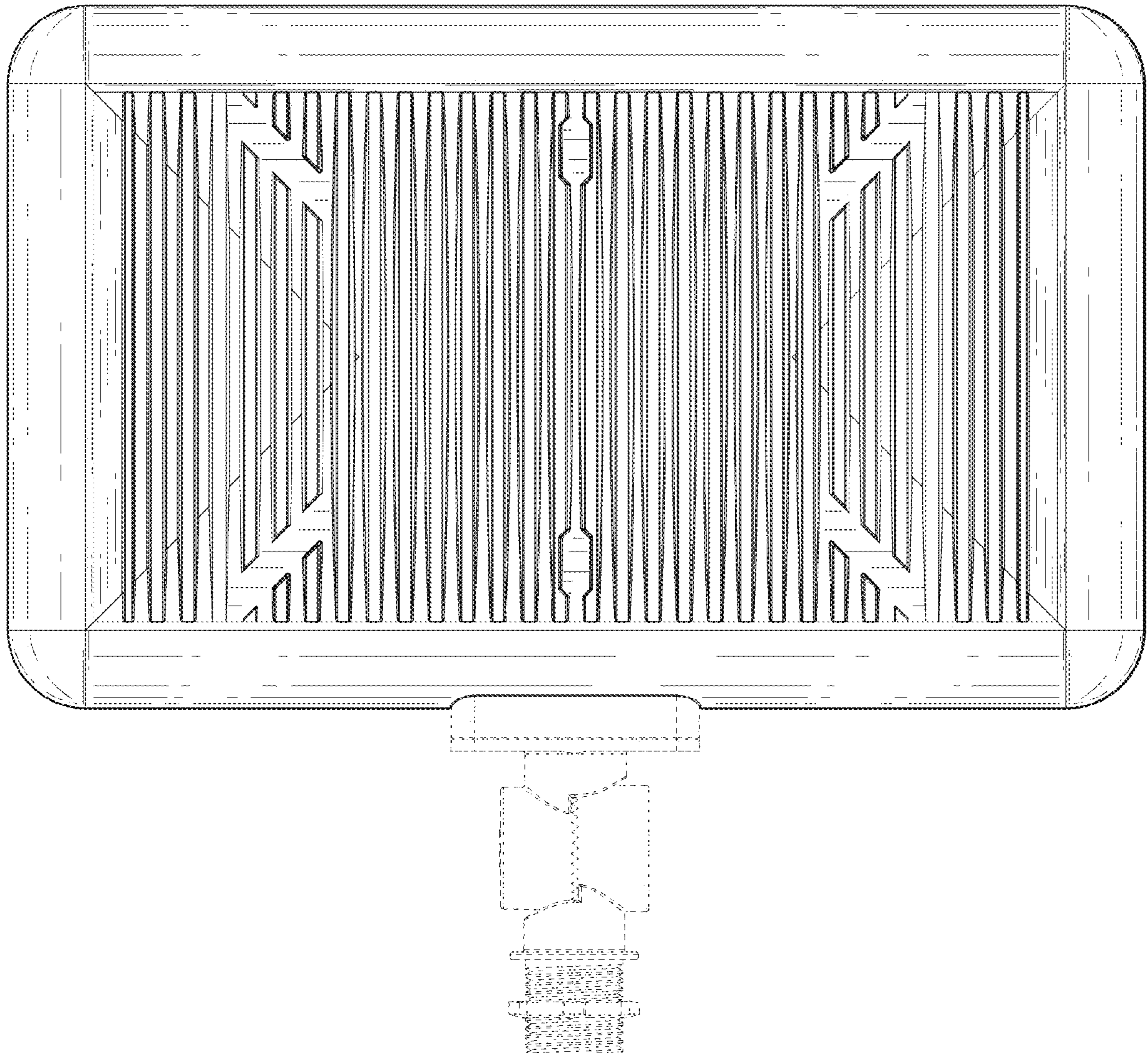


Fig. 4

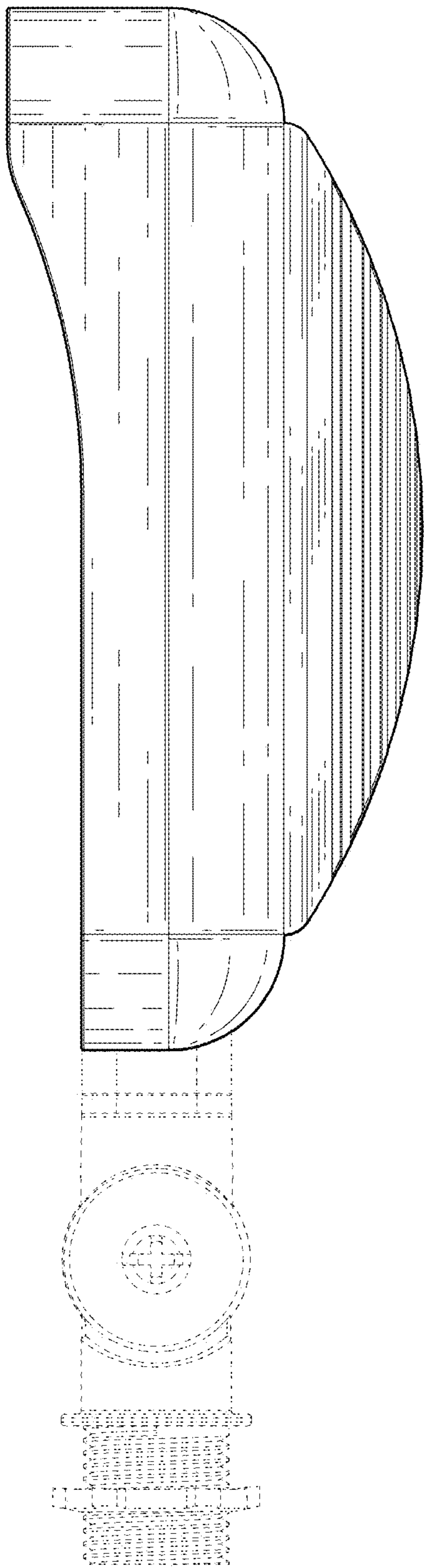


Fig. 5

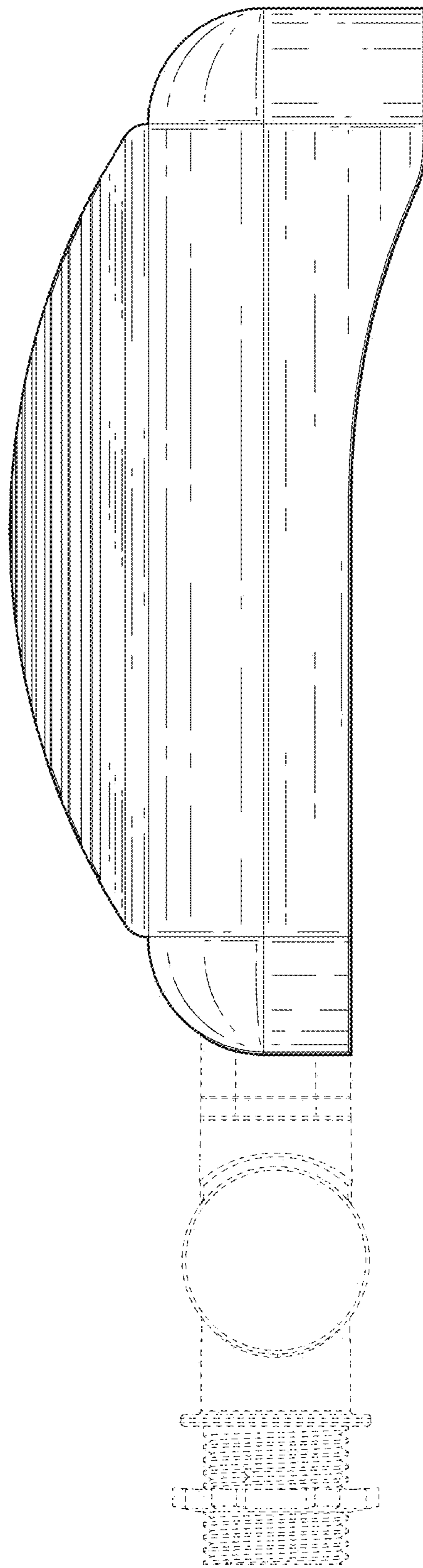


Fig. 6

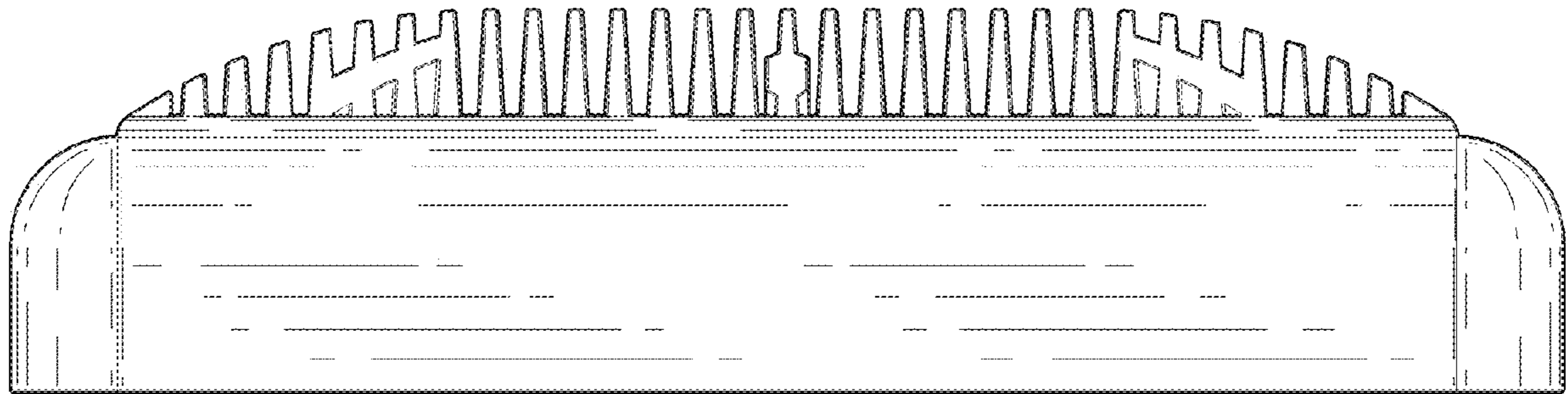


Fig. 7

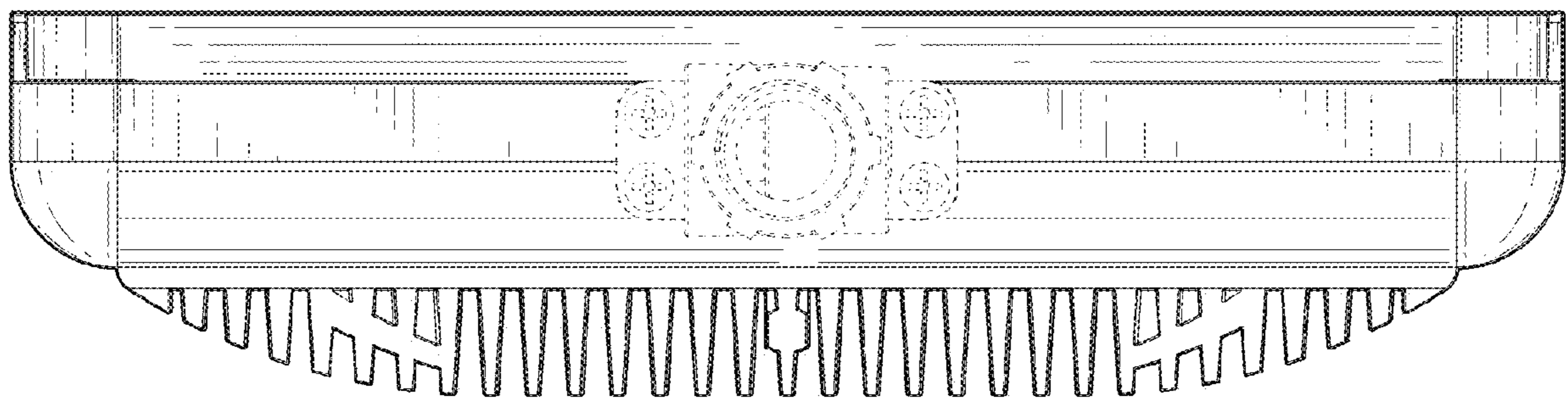


Fig. 8