



US00D900377S

(12) **United States Design Patent** (10) **Patent No.:** **US D900,377 S**
Chen (45) **Date of Patent:** **** Oct. 27, 2020**

(54) **OCEAN WAVE NIGHT LIGHT PROJECTOR**
(71) Applicant: **Shenzhen Moke Lighting Electric Co., Ltd, Shenzhen (CN)**
(72) Inventor: **Shixiong Chen, Shenzhen (CN)**
(**) Term: **15 Years**
(21) Appl. No.: **29/683,088**
(22) Filed: **Mar. 11, 2019**
(51) **LOC (12) Cl.** **26-05**
(52) **U.S. Cl.**
USPC **D26/106**
(58) **Field of Classification Search**
USPC D26/1, 24, 34, 36, 44, 49, 51, 61, 93,
D26/104, 106, 123, 124, 137; D10/104.1,
D10/107, 114.1, 114.2, 114.8; 362/362,
362/641
CPC F21V 21/00; F21V 21/30; F21V 15/01;
F21V 7/00; F21V 7/04; F21V 7/043;
F21V 7/045; F21V 7/046; F21V 37/0095;
F21S 9/00; F21S 9/022; F21S 8/35; F21S
10/00; F21S 10/007
See application file for complete search history.

(56) **References Cited**
U.S. PATENT DOCUMENTS
D128,125 S * 7/1941 Rutledge D26/24
D392,407 S * 3/1998 Johnson D26/104
D495,819 S * 9/2004 Krieger D26/104
D567,401 S * 4/2008 Mason, II D26/24
D577,836 S * 9/2008 Engebrigtsen D26/24
D639,492 S * 6/2011 Lee D26/93
D679,854 S * 4/2013 Sun D26/93

D689,221 S * 9/2013 Isaac D26/24
D690,843 S * 10/2013 Feigenbaum D26/24
D720,090 S * 12/2014 Toomey D26/24
D724,254 S * 3/2015 Sun D26/101
D731,107 S * 6/2015 Wu D26/104
D738,028 S * 9/2015 Wu D26/98
D765,294 S * 8/2016 Li D26/37
D796,725 S * 9/2017 Recker D26/104
D822,264 S * 7/2018 Li D26/104
D848,051 S * 5/2019 Huang D26/104
D875,994 S * 2/2020 Yu D26/104
D883,558 S * 5/2020 Zhao D26/106
D884,955 S * 5/2020 Yi D26/104
D885,640 S * 5/2020 Civelekoglu D26/104
D885,643 S * 5/2020 Chen D26/106
2018/0252386 A1* 9/2018 Kim F21K 9/60

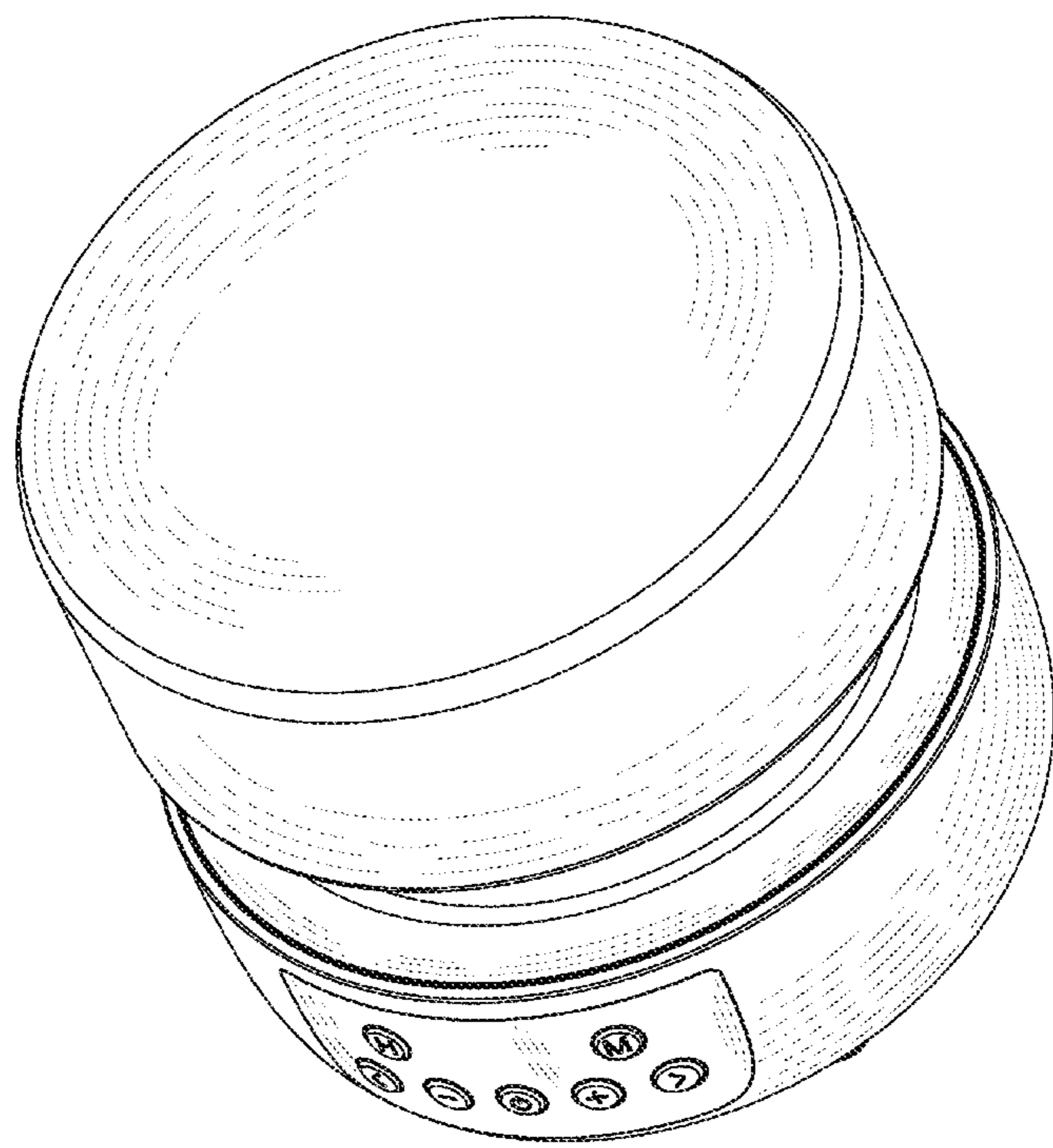
* cited by examiner

Primary Examiner — Wan Laymon
Assistant Examiner — Clint A Samuel
(74) *Attorney, Agent, or Firm* — W&K IP

(57) **CLAIM**
The ornamental design for an ocean wave night light projector, as shown and described.

DESCRIPTION
FIG. 1 is a perspective view of an ocean wave night light projector;
FIG. 2 is a front elevational view thereof;
FIG. 3 is a rear elevational view thereof;
FIG. 4 is a left elevational view thereof;
FIG. 5 is a right elevational view thereof;
FIG. 6 is a top plan view thereof; and,
FIG. 7 is a bottom plan view thereof.

1 Claim, 7 Drawing Sheets



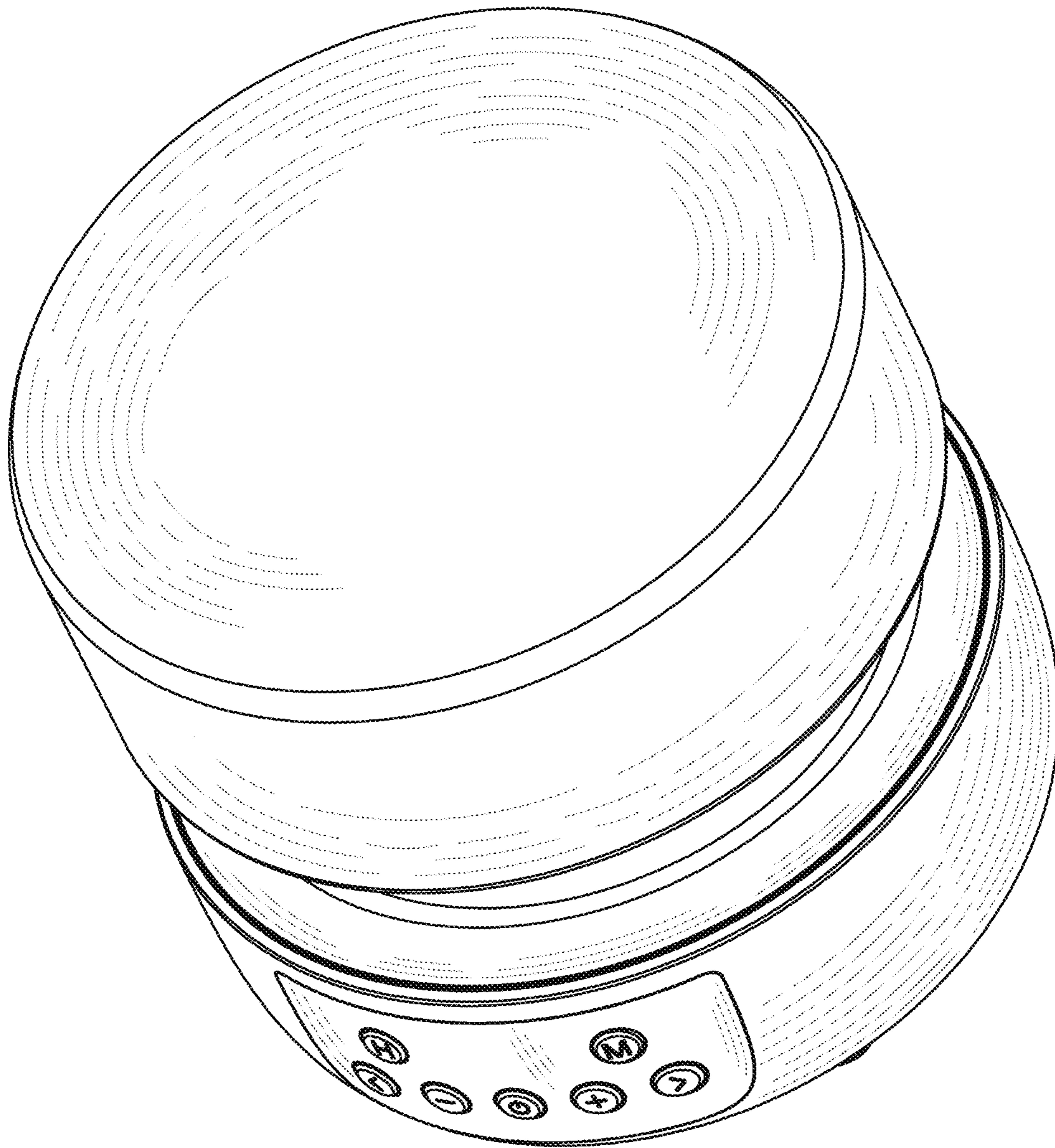


FIG.1

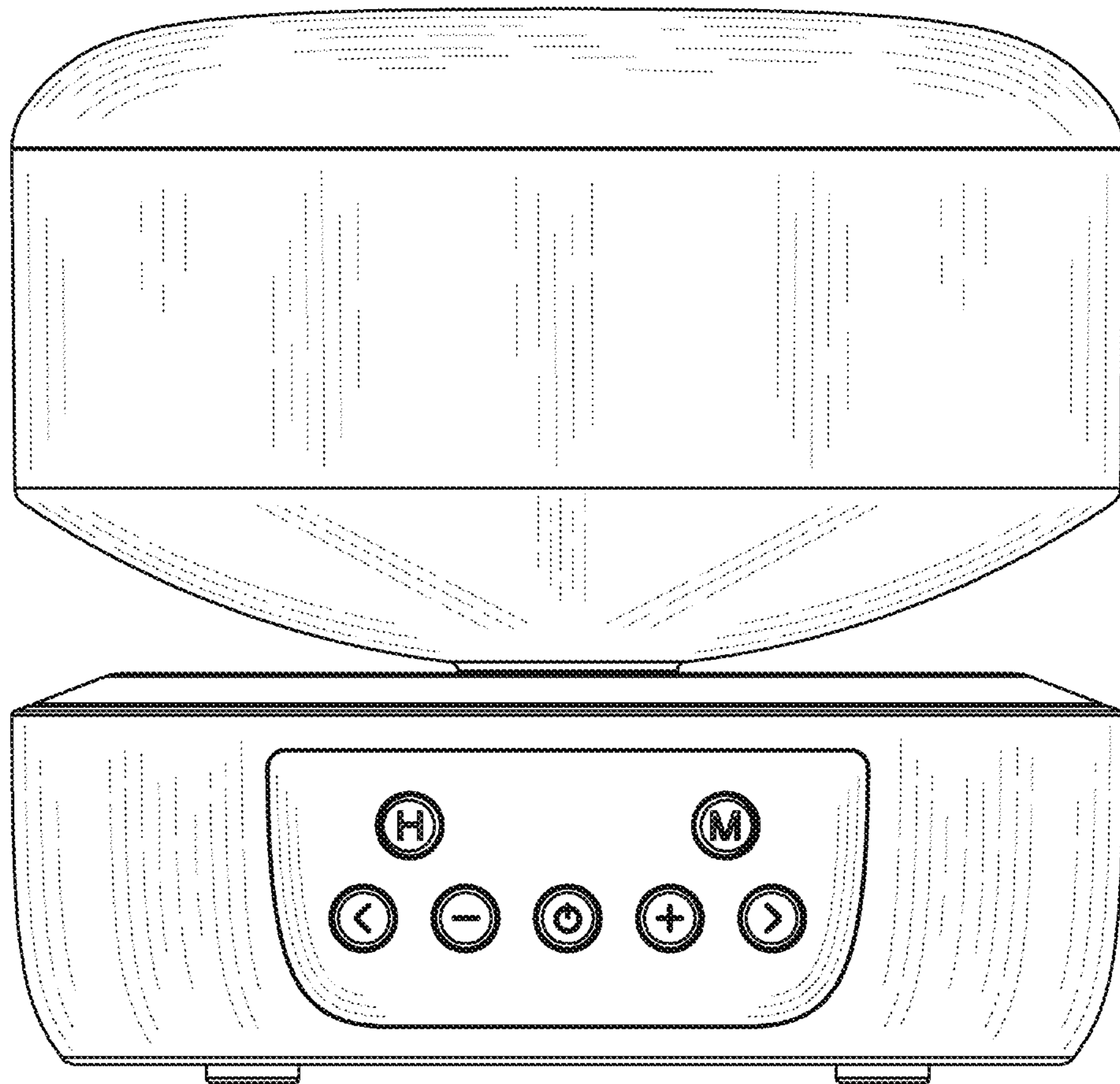


FIG.2

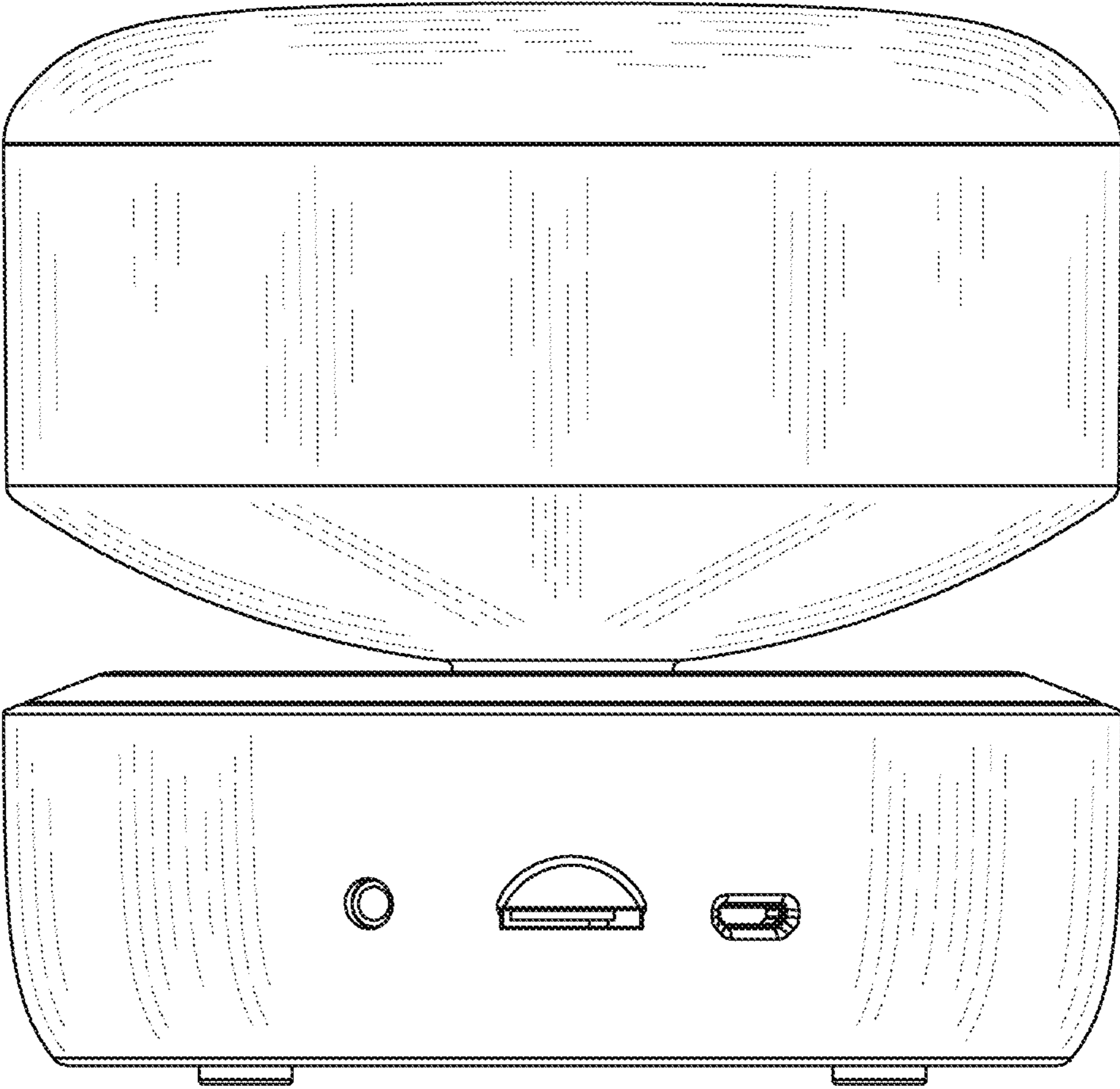


FIG.3

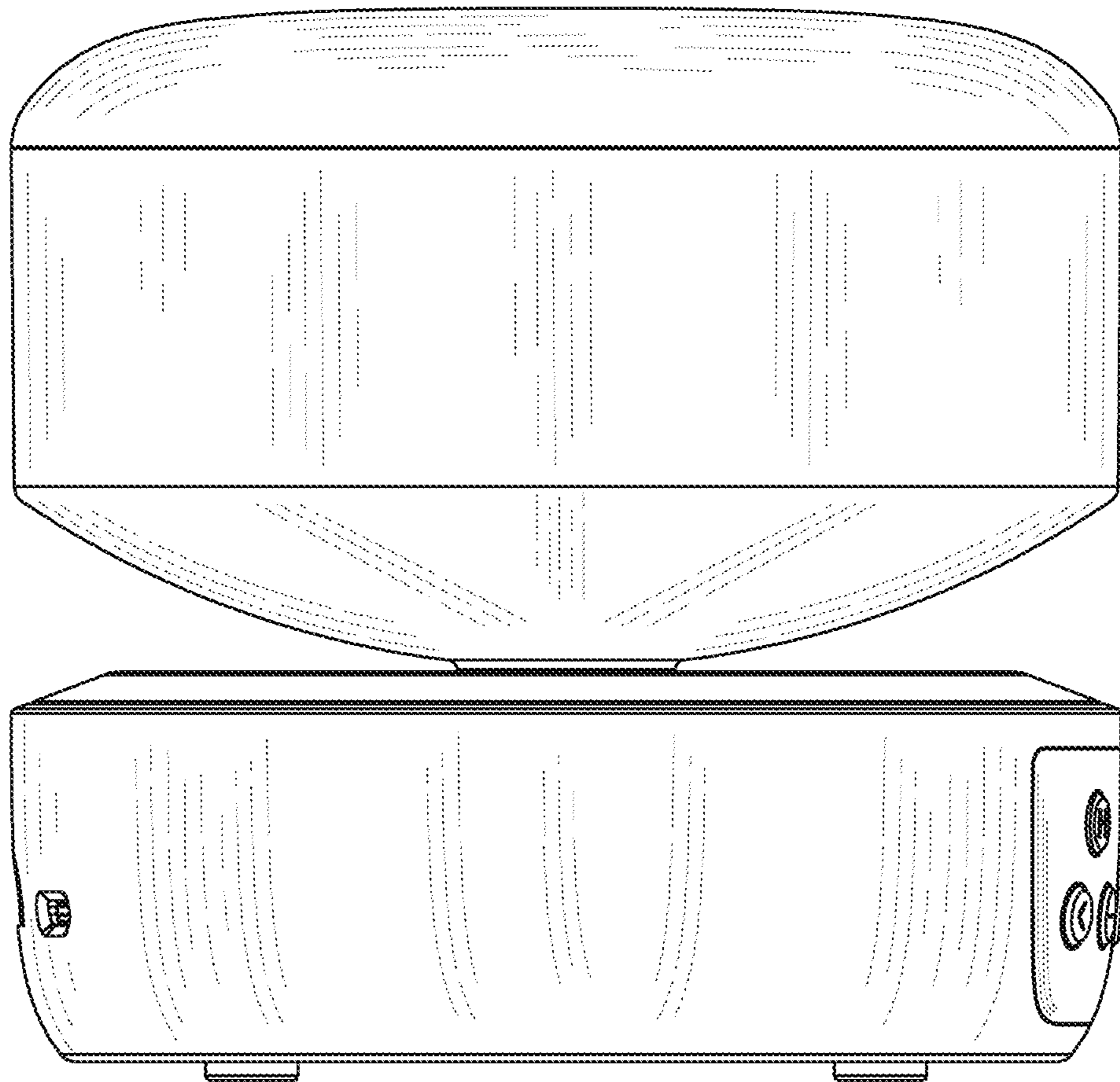


FIG.4

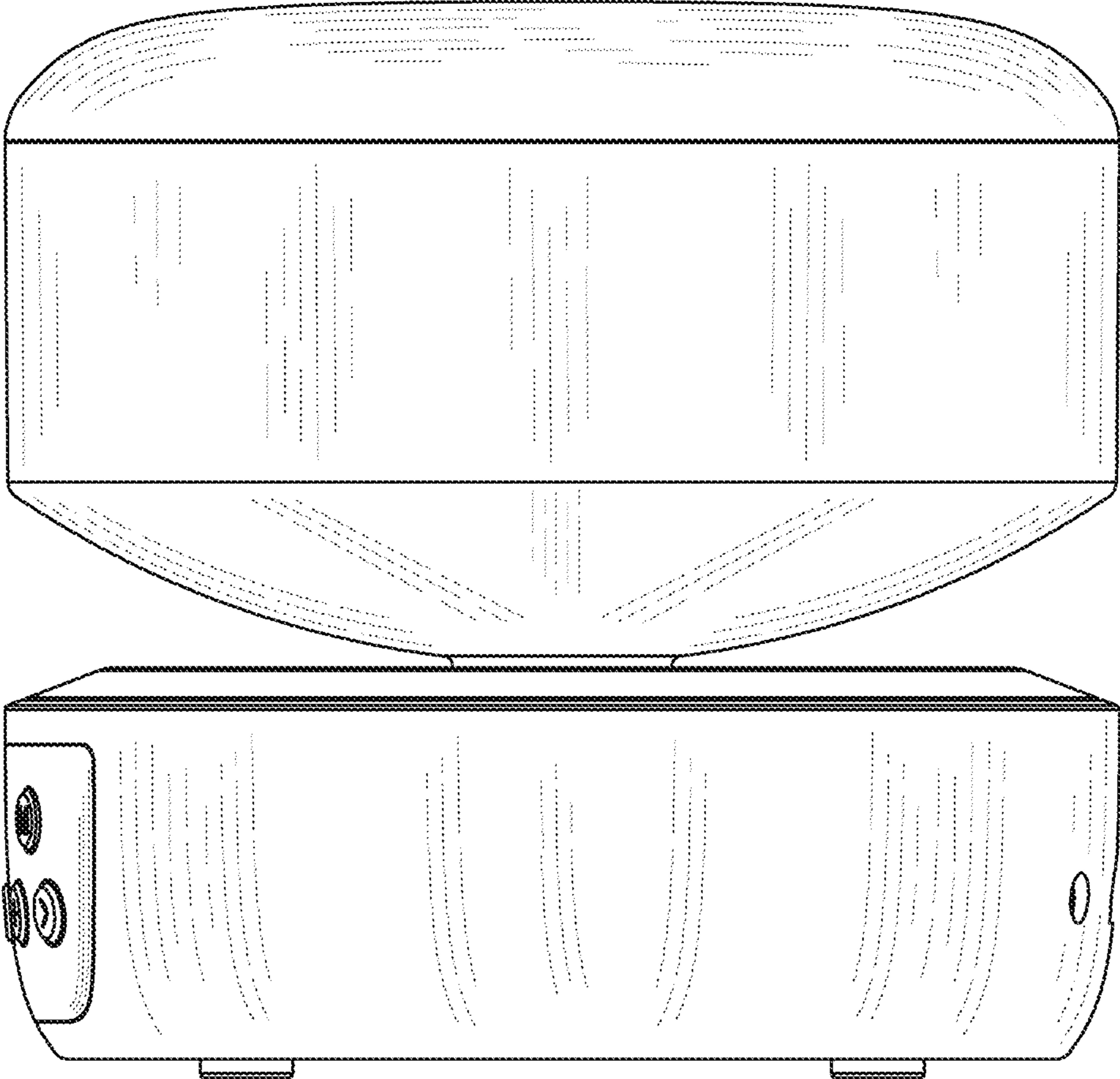


FIG.5

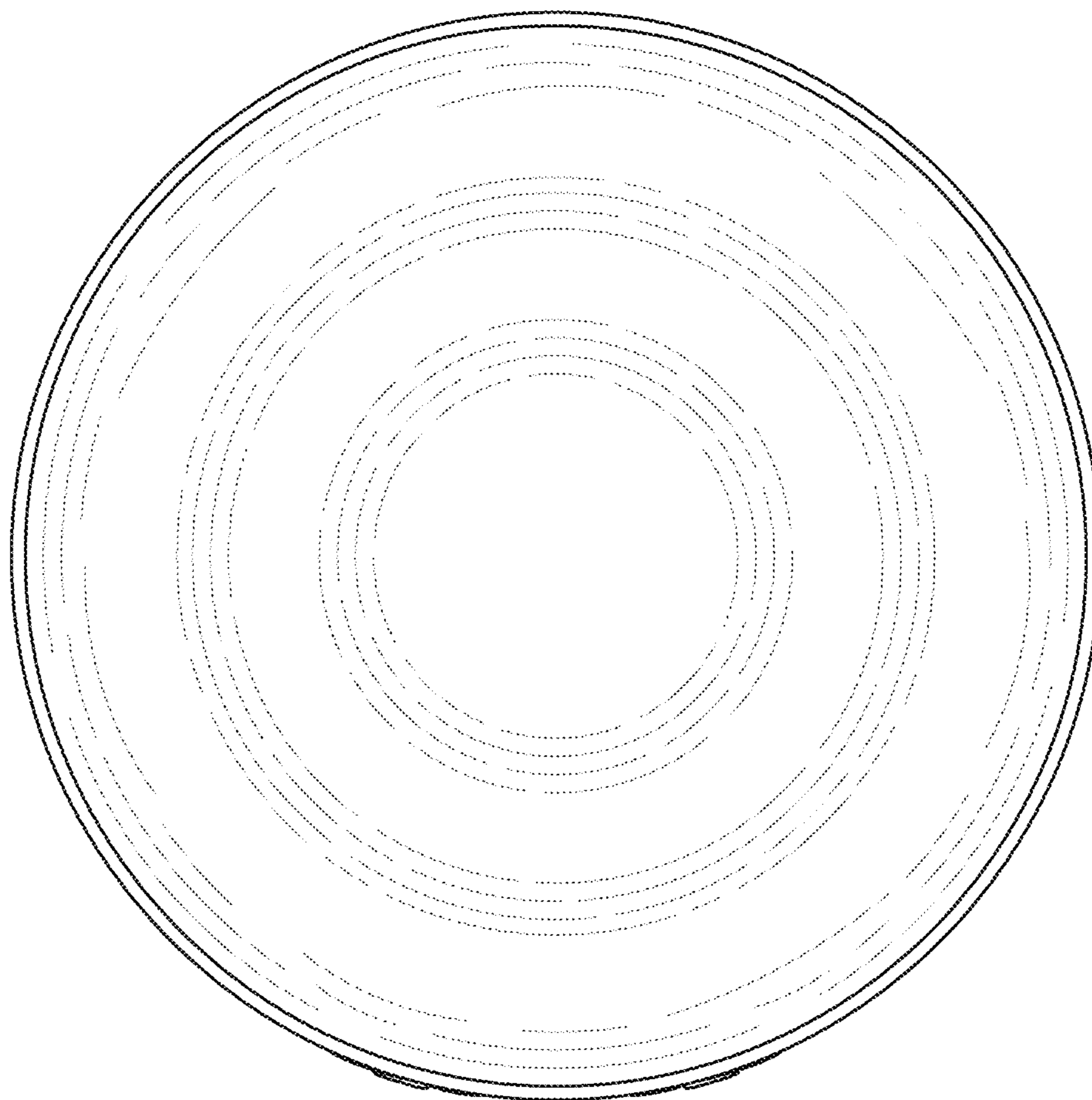


FIG.6

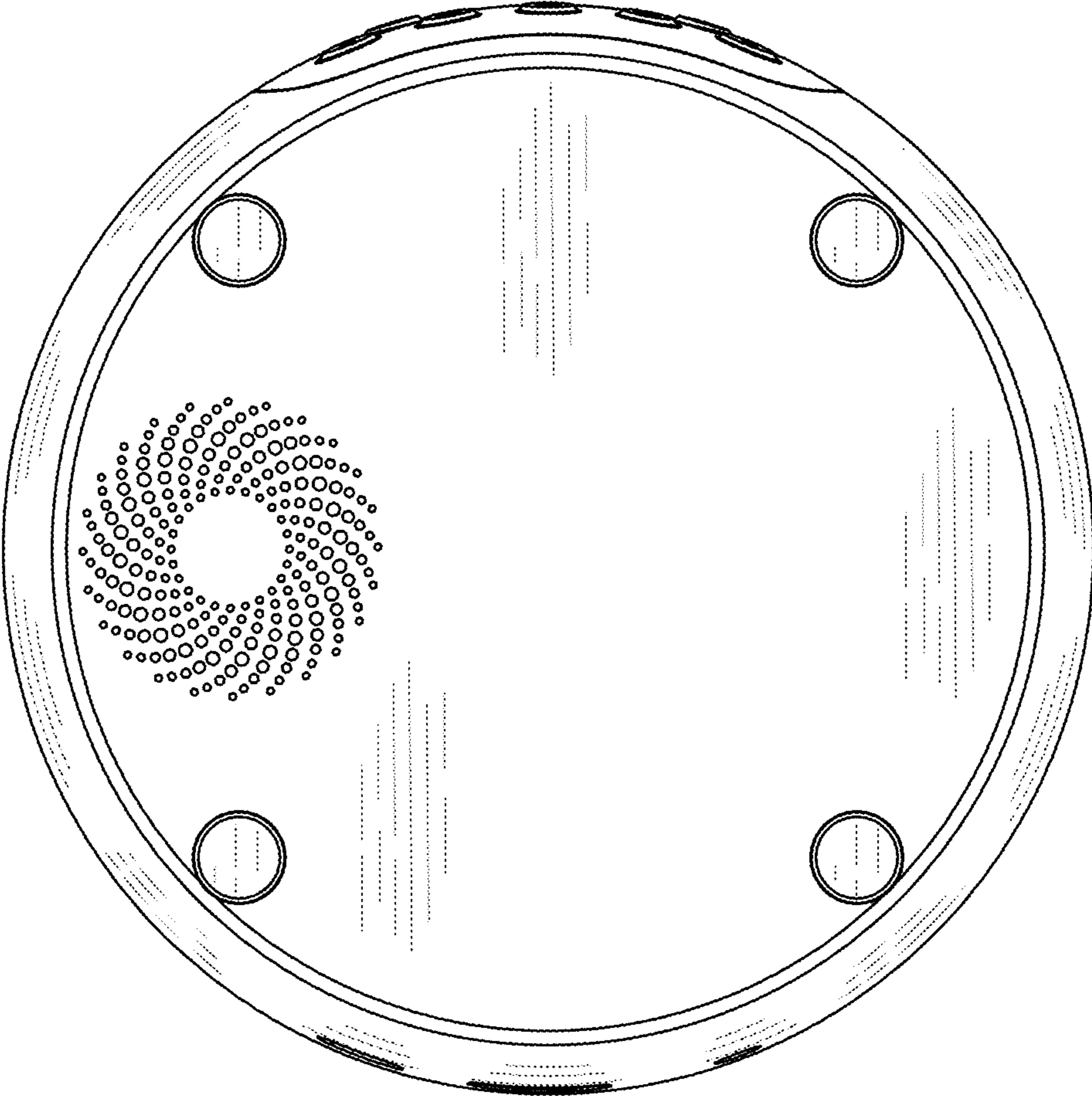


FIG.7