



US00D900374S

(12) **United States Design Patent** (10) **Patent No.:** **US D900,374 S**  
**Luo** (45) **Date of Patent:** **\*\* Oct. 27, 2020**

(54) **CABINET LAMP**  
(71) Applicant: **Haiwen Luo**, Shenzhen (CN)  
(72) Inventor: **Haiwen Luo**, Shenzhen (CN)  
(\*\*) Term: **15 Years**  
(21) Appl. No.: **29/719,922**

(22) Filed: **Jan. 8, 2020**  
(51) **LOC (12) Cl.** ..... **26-03**  
(52) **U.S. Cl.**  
USPC ..... **D26/85**  
(58) **Field of Classification Search**  
USPC ..... D26/25, 72, 76, 80, 85, 89; D10/106.6,  
D10/106.8  
CPC .... F21S 8/03; F21S 8/033; F21S 8/036; F21S  
8/037; F21S 9/022; F21S 9/024; F21S  
9/03; F21S 9/035; F21S 9/037; F21W  
2131/107; G08B 13/193  
See application file for complete search history.

(56) **References Cited**  
U.S. PATENT DOCUMENTS

D384,762 S	10/1997	Roorda	
D384,763 S	10/1997	Roorda	
6,050,708 A *	4/2000	Roorda	F21S 8/00 362/133
D443,096 S *	5/2001	Echito	D26/76
D457,981 S *	5/2002	Yeh	D26/76
D564,694 S *	3/2008	Southern, Jr.	D26/76
D602,626 S *	10/2009	Santoro	D26/76
D602,628 S *	10/2009	Benensohn	D26/61
D640,946 S	7/2011	Martin	
D649,673 S *	11/2011	Liang	D26/72
D650,507 S *	12/2011	Osiecki	D26/72
8,545,045 B2 *	10/2013	Tress	F21V 21/005 362/217.17
D722,718 S *	2/2015	Chen	D26/72
D819,252 S	5/2018	Martins et al.	
D820,500 S	6/2018	Li et al.	

D831,248 S	10/2018	Kuhls	
D844,880 S	4/2019	Zeng et al.	
D864,454 S	10/2019	Lv et al.	
D869,048 S	12/2019	Chai	
D873,468 S *	1/2020	Ma	D26/85
D874,709 S *	2/2020	Coleman	D26/89
D884,953 S *	5/2020	Brillaud	D26/72
2009/0073692 A1 *	3/2009	Berger	A47B 97/00 362/249.02
2017/0198888 A1 *	7/2017	Seifert	F21V 21/025

OTHER PUBLICATIONS

LED Motion Sensor Cabinet Light sold by TOCTA-US at amazon.com as early as Apr. 4, 2020. (Year: 2020).\*  
LED Motion Sensor Cabinet Light sold by HIBOITEC-US at amazon.com Apr. 8, 2020. (Year: 2020).\*

\* cited by examiner

*Primary Examiner* — Clare E Heflin  
(74) *Attorney, Agent, or Firm* — Law Offices of Steven W. Weinrieb

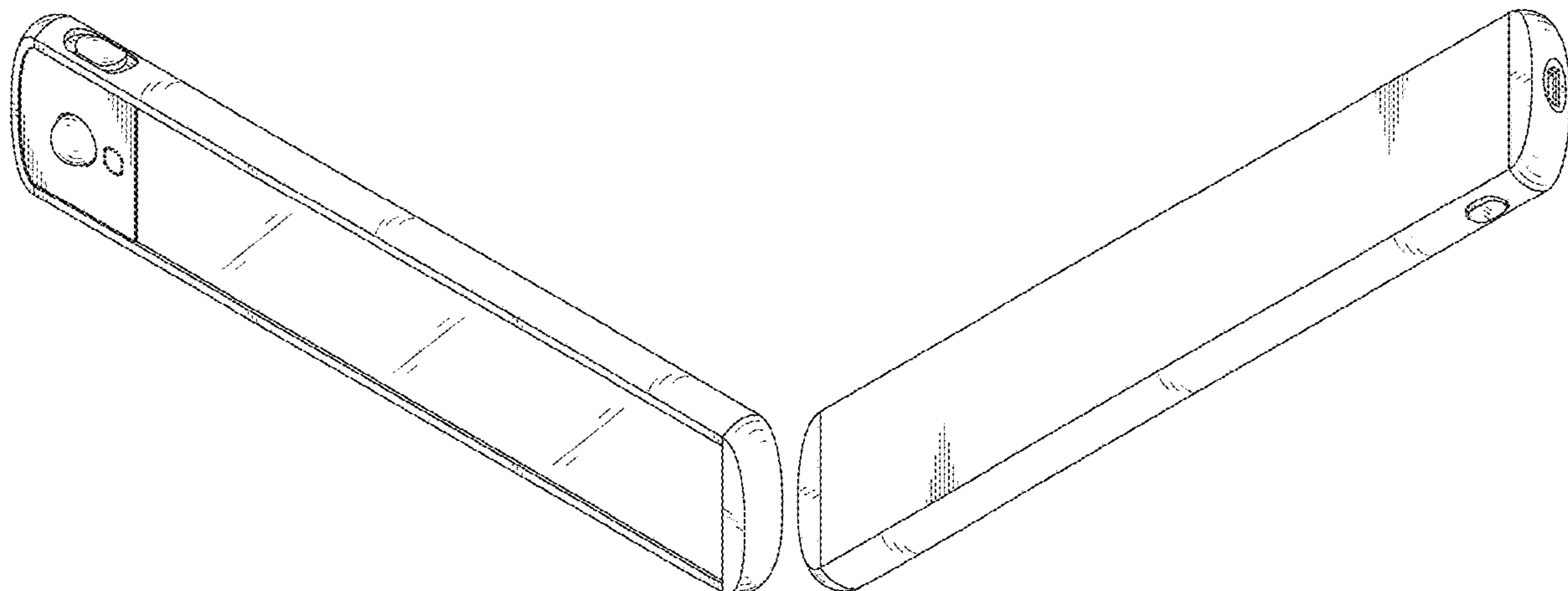
(57) **CLAIM**

The ornamental design for a cabinet lamp, as shown and described.

**DESCRIPTION**

FIG. 1 is a front, right side, top perspective view of a cabinet lamp showing my new design;  
FIG. 2 is a rear left side, bottom perspective view thereof;  
FIG. 3 is a front elevational view thereof  
FIG. 4 is a rear elevational view thereof;  
FIG. 5 is a left side elevational view thereof;  
FIG. 6 is a right side elevational view thereof;  
FIG. 7 is a top plan view thereof; and,  
FIG. 8 is a bottom plan view thereof.  
The broken lines depict portions of the cabinet lamp that form no part of the claimed design.

**1 Claim, 8 Drawing Sheets**



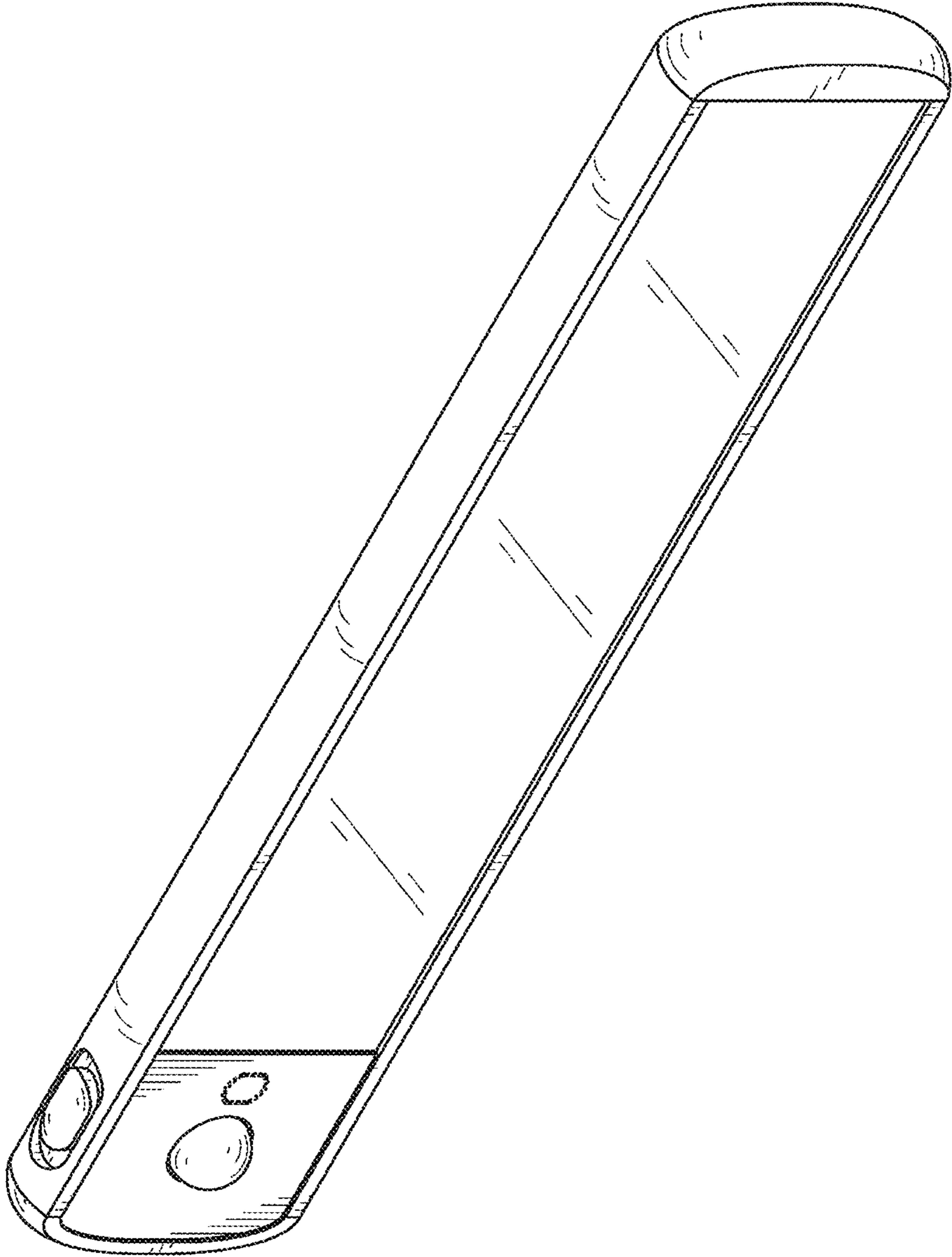


FIG. 1

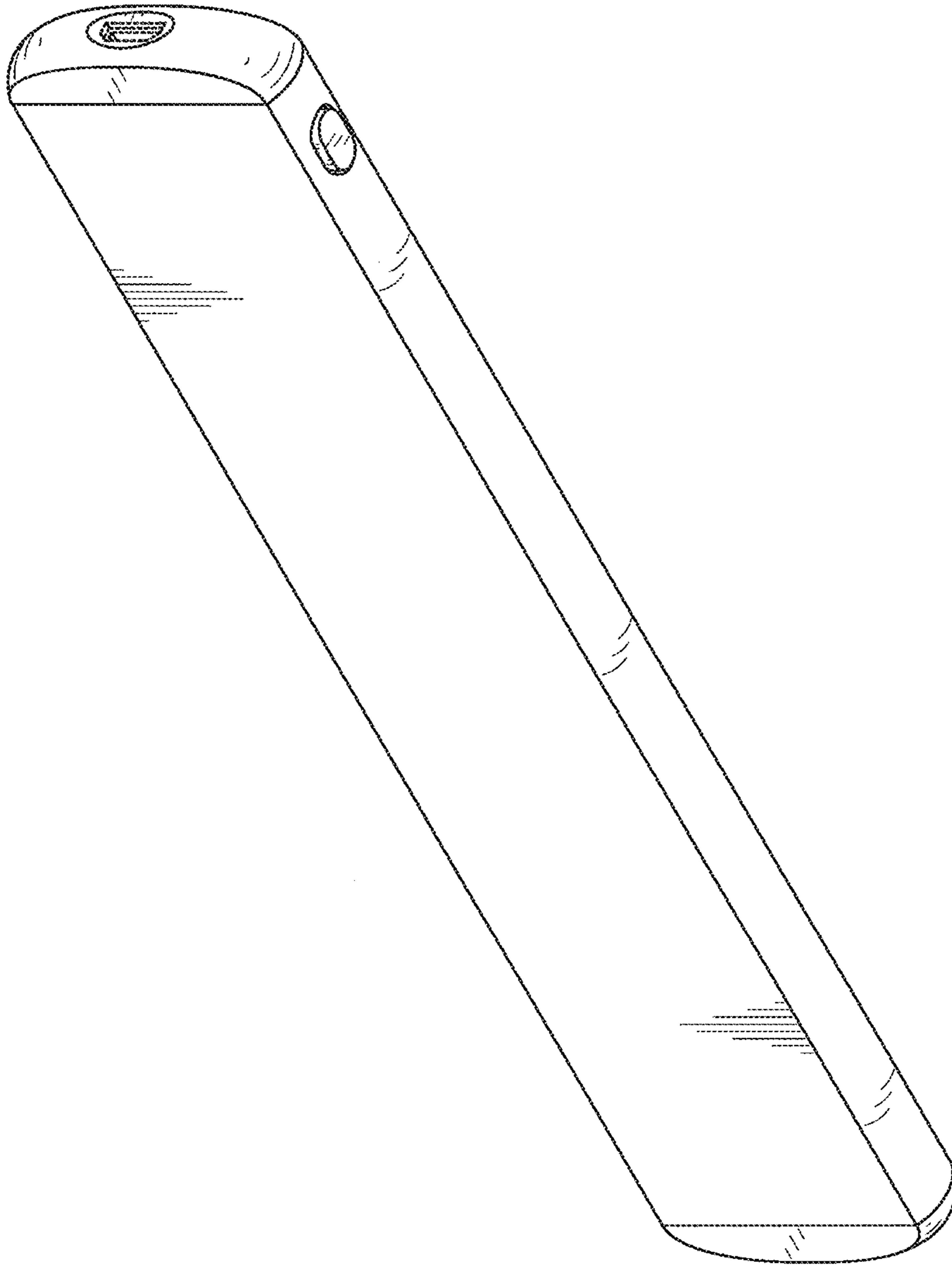


FIG. 2

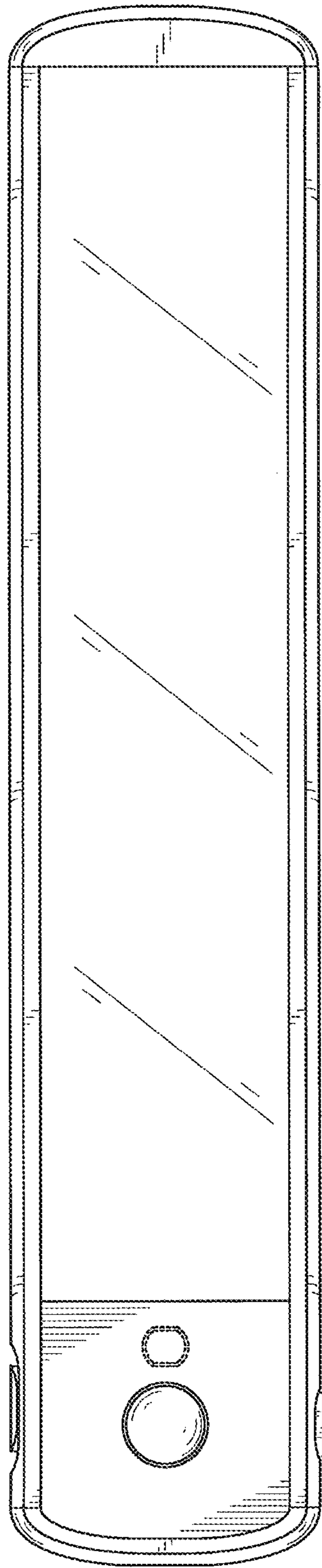


FIG. 3

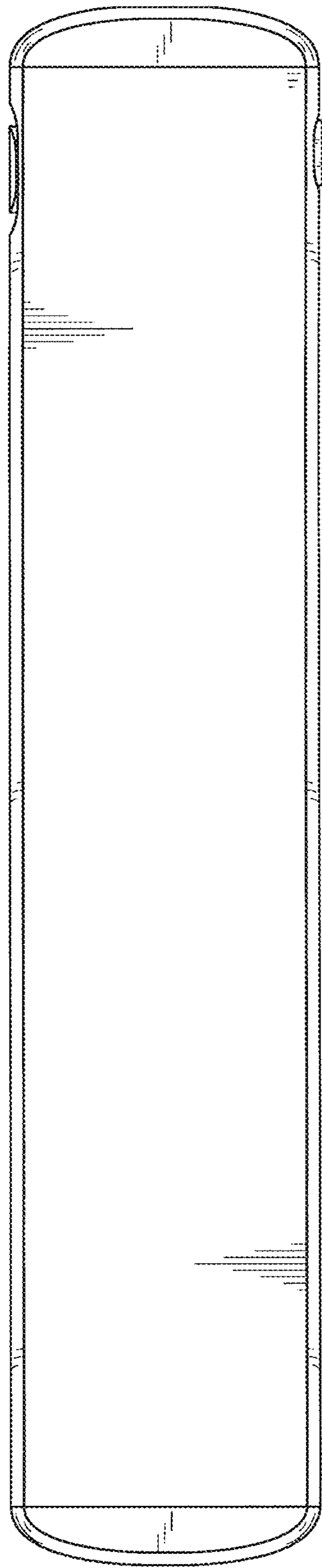


FIG. 4

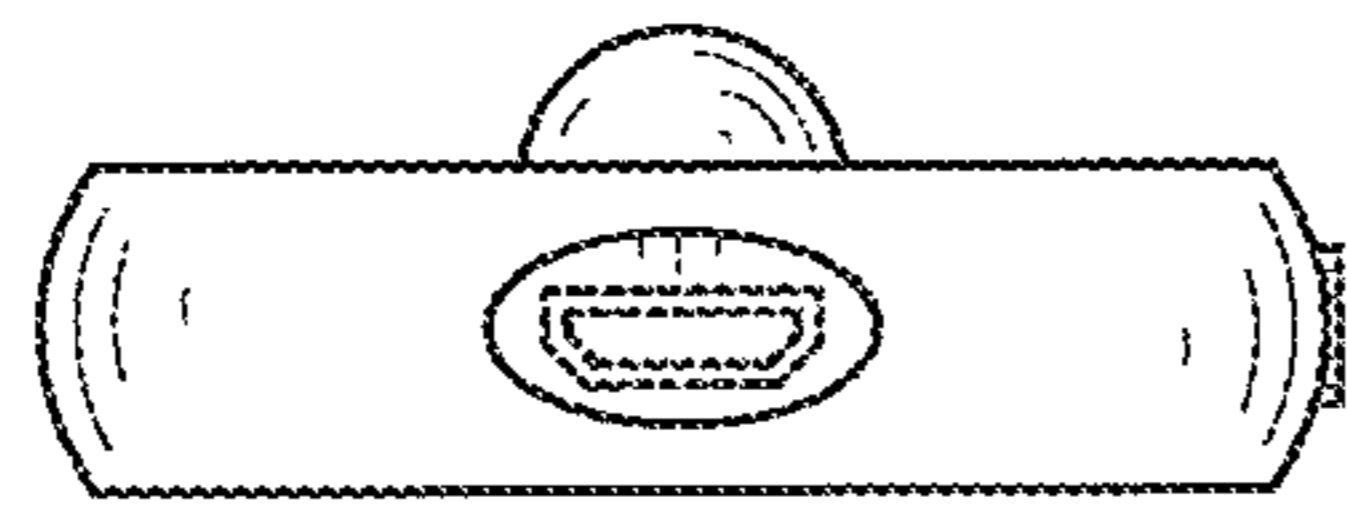


FIG. 5

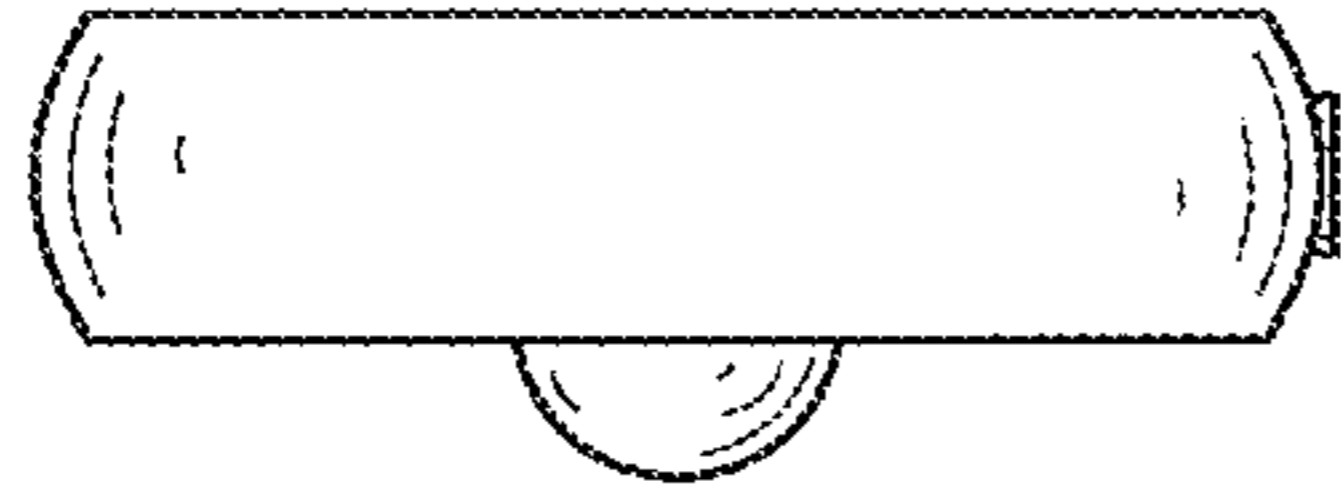


FIG. 6

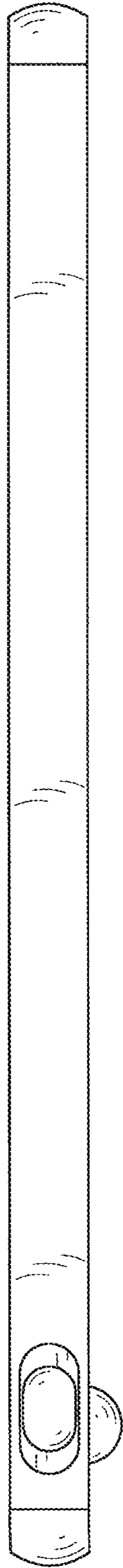


FIG. 7



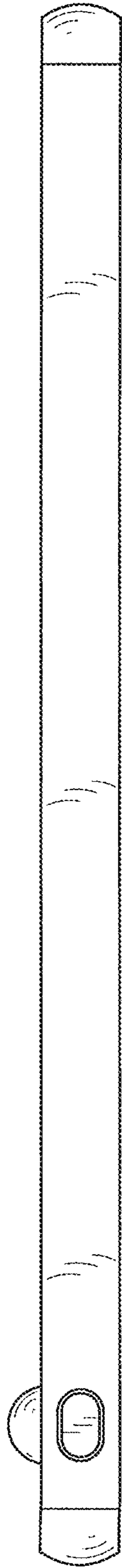


FIG. 8