

US00D900373S

(12) **United States Design Patent** (10) **Patent No.:** **US D900,373 S**
Richardson et al. (45) **Date of Patent:** **** Oct. 27, 2020**

(54) **LIGHT**
(71) Applicant: **RBW STUDIO, LLC**, Brooklyn, NY (US)
(72) Inventors: **Theodore Richardson**, Brooklyn, NY (US); **Charles Brill**, Brooklyn, NY (US); **Alexander Williams**, Brooklyn, NY (US)
(73) Assignee: **RBW STUDIO, LLC**, Brooklyn, NY (US)
(**) Term: **15 Years**
(21) Appl. No.: **29/679,320**
(22) Filed: **Feb. 5, 2019**
(51) **LOC (12) Cl.** **26-03**
(52) **U.S. Cl.**
USPC **D26/63**
(58) **Field of Classification Search**
USPC D26/1, 24, 61, 63, 65, 72, 85, 92
CPC F21V 21/14; F21V 15/01; F21V 14/02;
F21V 21/30; F21V 21/00; F21V 14/00;
F21S 8/00; F21S 8/003; F21S 8/043;
F21Y 2105/001
See application file for complete search history.

D662,638 S * 6/2012 Kosche D26/63
D664,698 S * 7/2012 Meise D26/72
D693,500 S * 11/2013 Souvay D26/61
D774,676 S * 12/2016 Ng D26/65
D801,059 S * 10/2017 Gan D26/63
D809,695 S * 2/2018 Verelst D26/72
D835,319 S * 12/2018 Luke D26/63
D859,715 S * 9/2019 Windom D26/63
D871,641 S * 12/2019 Becker D26/63

OTHER PUBLICATIONS

Rich Brilliant Willing, "Monocle", <<https://richbrilliantwilling.com/collections/monocle>>, available as early as Oct. 8, 2014.

* cited by examiner

Primary Examiner — Brian N. Vinson
(74) *Attorney, Agent, or Firm* — Saidman DesignLaw Group, LLC

(57) **CLAIM**

The ornamental design for a light, as shown and described.

DESCRIPTION

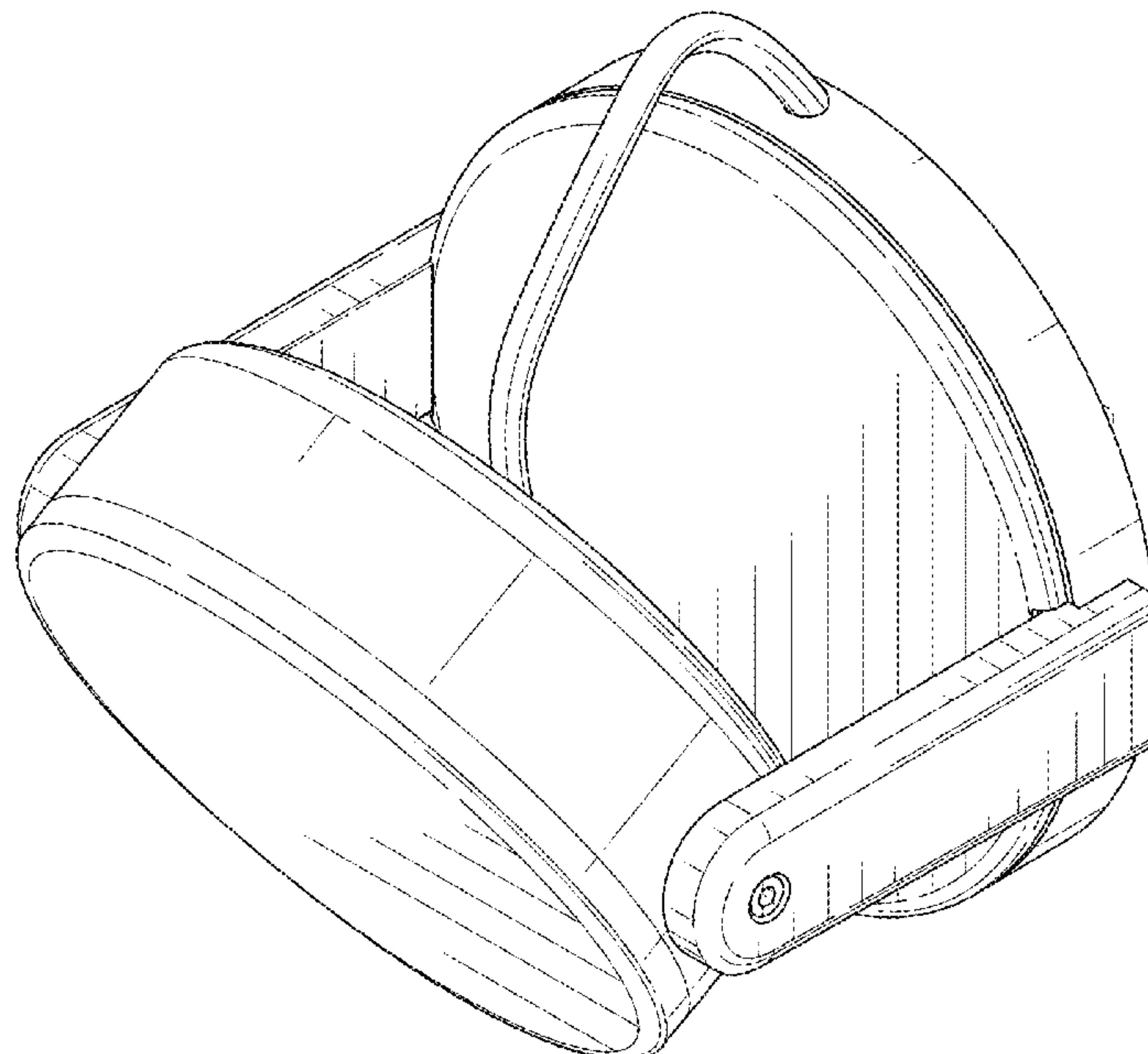
FIG. 1 is a perspective view of a light showing our new design;
FIG. 2 is a front view thereof;
FIG. 3 is a rear view thereof;
FIG. 4 is a left side view thereof;
FIG. 5 is a right side view thereof;
FIG. 6 is a top view thereof; and,
FIG. 7 is a bottom view thereof.
The broken lines illustrate structure or features which form no part of the claimed design.
The drawings include surface shading which illustrates contour and not surface ornamentation.

1 Claim, 4 Drawing Sheets

(56) **References Cited**

U.S. PATENT DOCUMENTS

D299,553 S * 1/1989 Donato D26/63
D385,372 S * 10/1997 Mier-Langner D26/63
D438,320 S * 2/2001 Tang D26/63
D581,572 S * 11/2008 Levine D26/63
D586,491 S * 2/2009 Levine D26/63
D598,595 S * 8/2009 Levine D26/63
D630,364 S * 1/2011 Schmitt D26/72
D637,751 S * 5/2011 Chiu D26/63



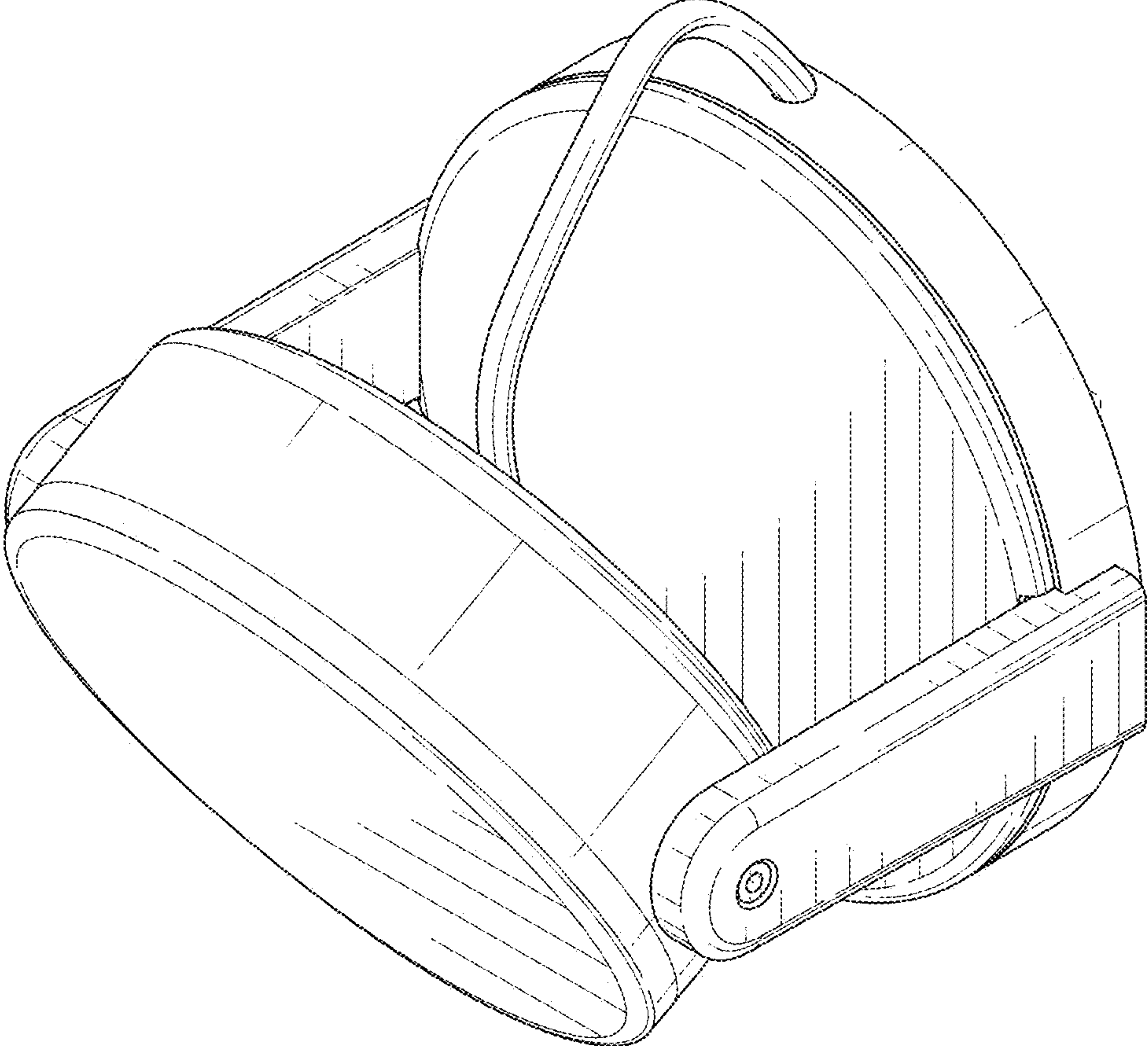


FIG. 1

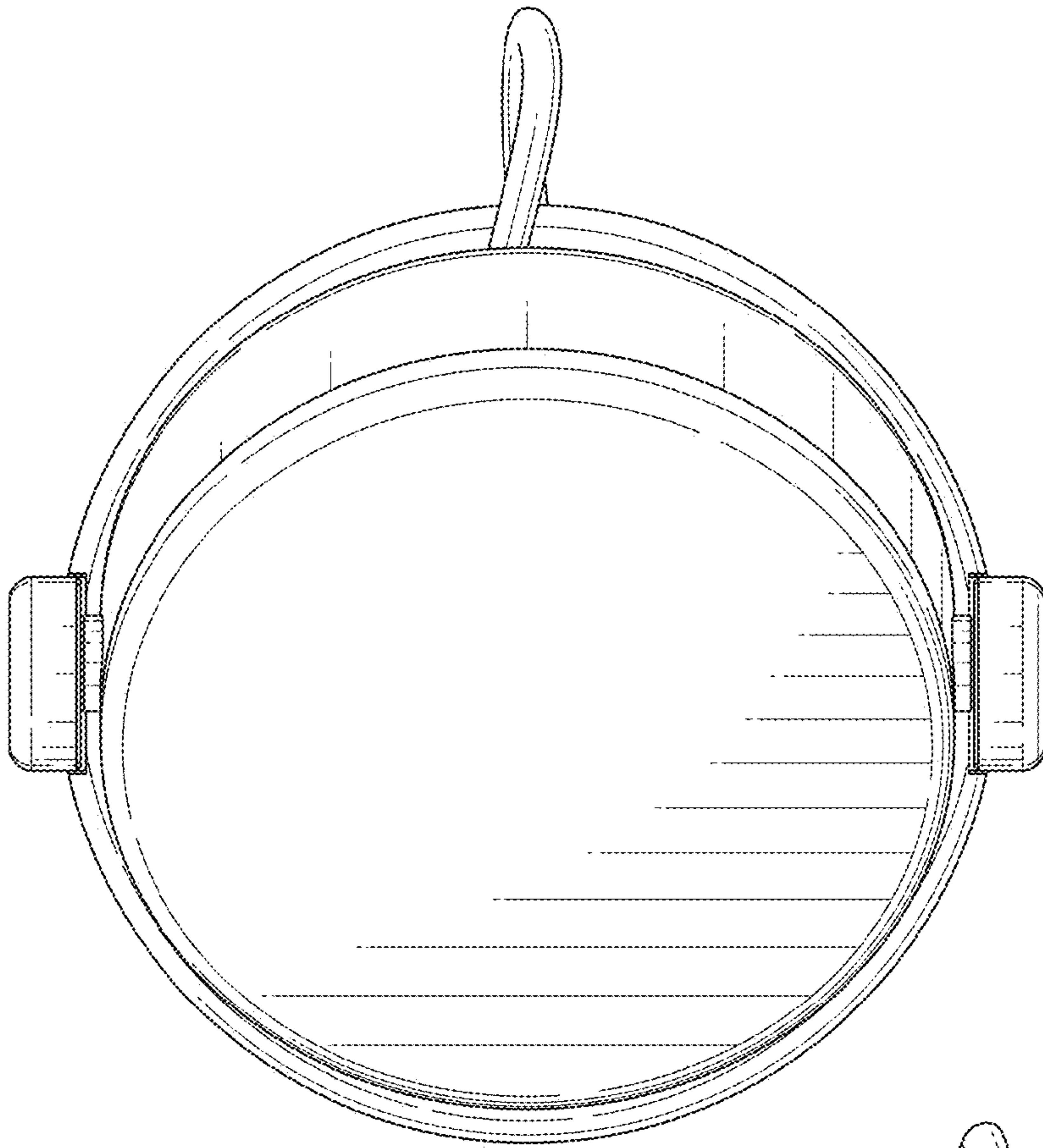


FIG. 2

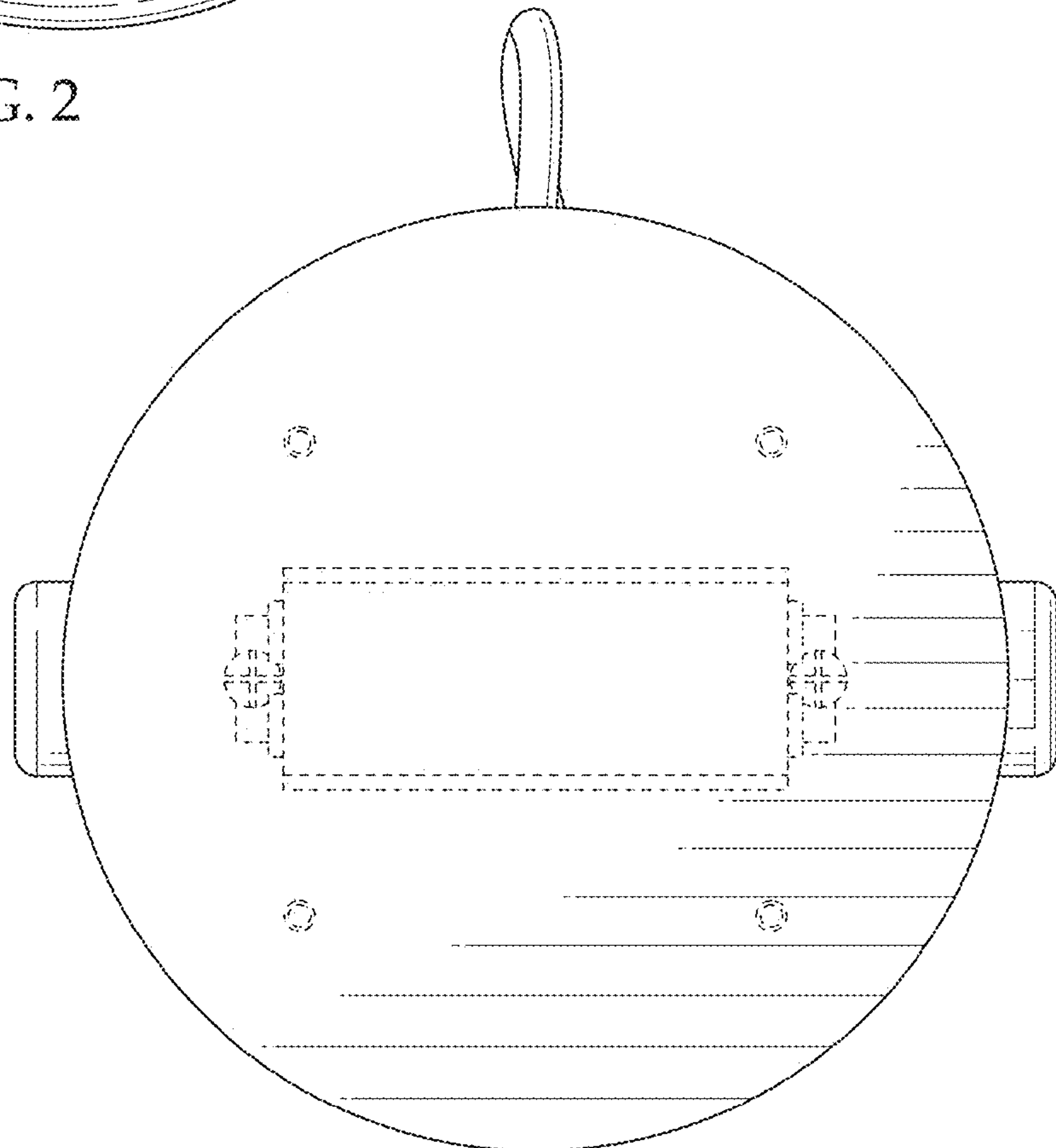


FIG. 3

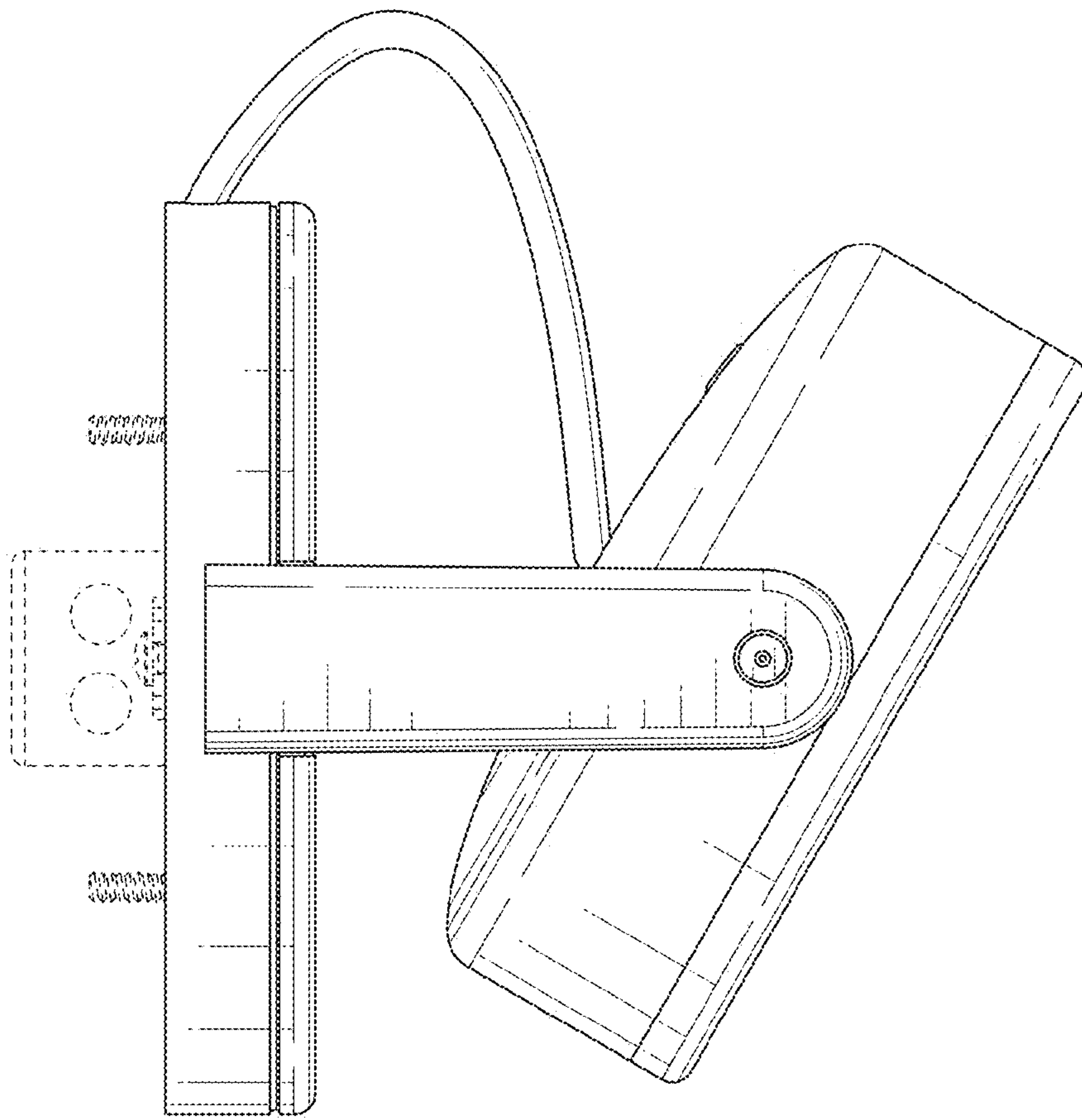


FIG. 4

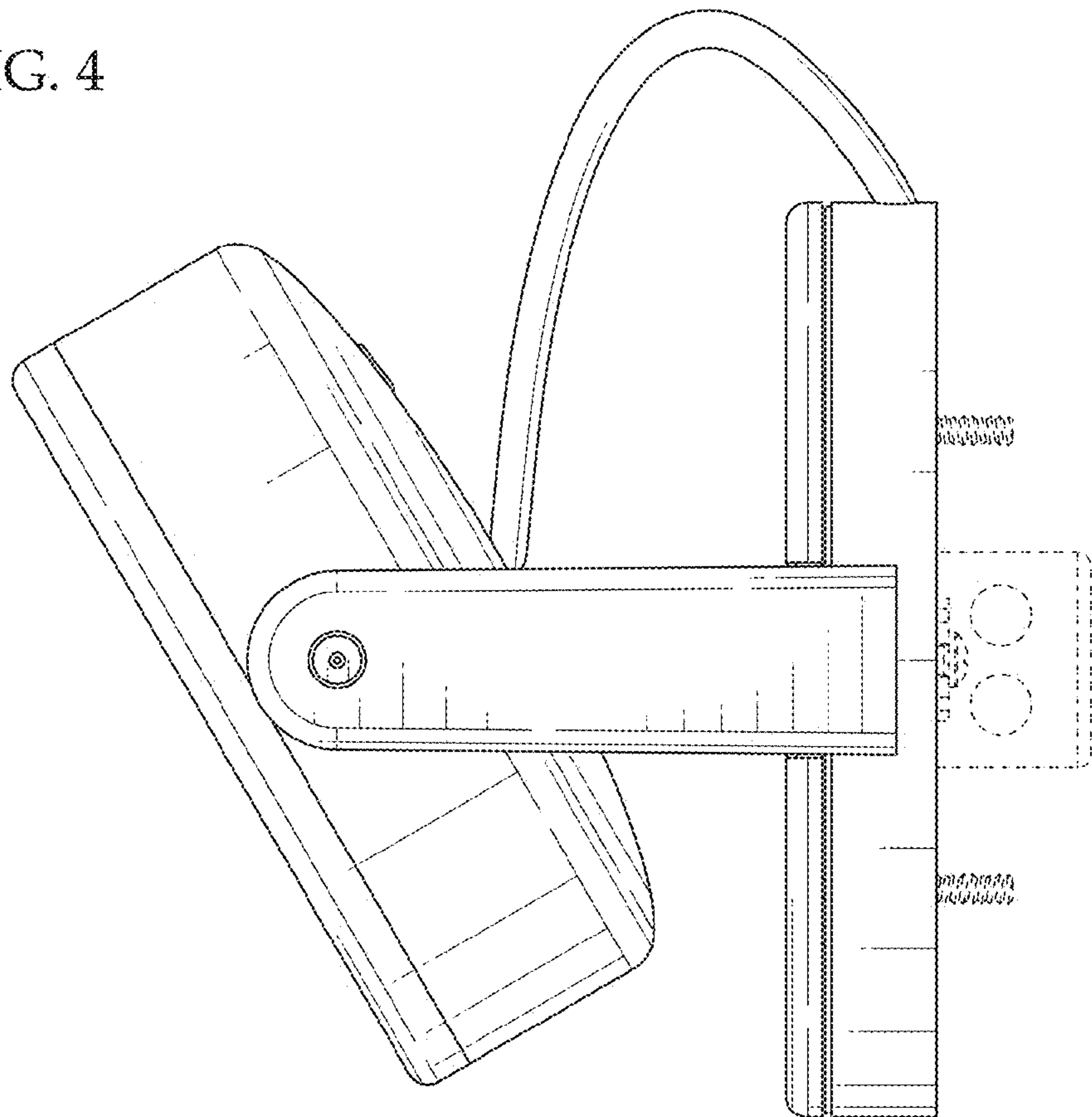


FIG. 5

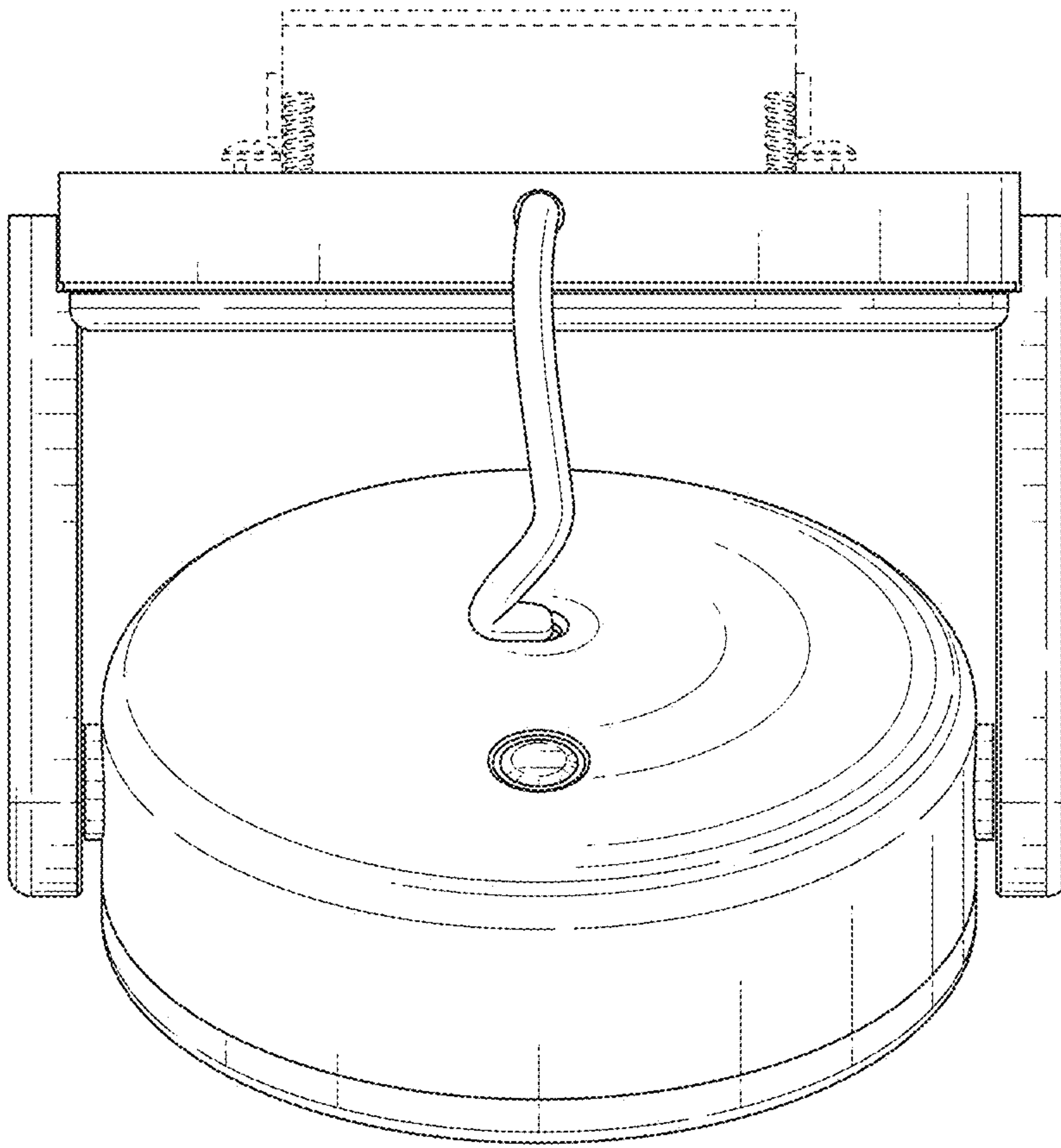


FIG. 6

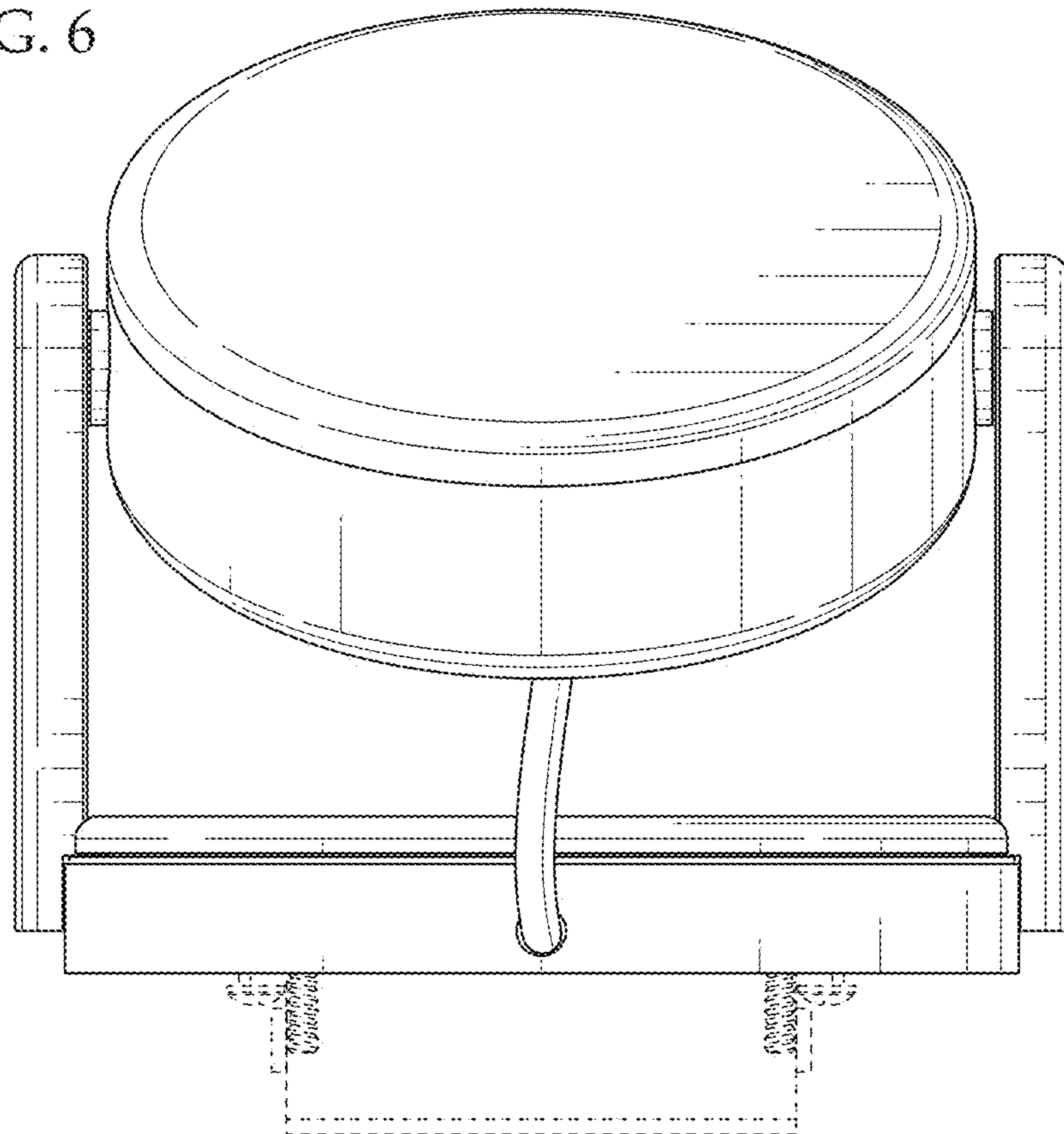


FIG. 7