



US00D900371S

(12) **United States Design Patent**
Zhong

(10) **Patent No.:** **US D900,371 S**
(45) **Date of Patent:** **** Oct. 27, 2020**

(54) **COMBINED OUTDOOR LIGHT AND SOLAR PANEL**

(71) Applicant: **Shenzhen Tollar Security Equipment Co., Ltd.**, Shenzhen (CN)

(72) Inventor: **Ru An Zhong**, Lianjiang (CN)

(73) Assignee: **SHENZHEN TOLLAR SECURITY EQUIPMENT CO., LTD.**, Shenzhen (CN)

(**) Term: **15 Years**

(21) Appl. No.: **29/673,096**

(22) Filed: **Dec. 12, 2018**

(51) **LOC (12) Cl.** **26-05**

(52) **U.S. Cl.**
USPC **D26/51**

(58) **Field of Classification Search**
USPC D26/37-38, 44, 46, 49, 51, 60-68, 71;
D13/101-102, 184, 199
CPC .. F21S 8/081; F21S 8/083; F21S 8/088; F21S 9/03; F21S 9/032; F21S 9/035; F21S 4/00; F21S 6/00; F21S 8/003; F21S 8/00; F21V 21/0824; F21V 1/00; F21V 14/00; F21V 14/02; F21V 15/01; F21V 21/14; F21V 7/00; F21V 9/00; F21V 17/02; F21V 21/30; F21V 29/00; F21W 2111/02; F21W 2111/023; F21W 2131/109; F21L 4/00; H01R 33/00
See application file for complete search history.

(56) **References Cited**

U.S. PATENT DOCUMENTS

5,217,296 A * 6/1993 Tanner F21V 21/30
362/183
D404,842 S * 1/1999 Hurst D26/68

6,786,622 B1 * 9/2004 Rice B60Q 1/245
362/271
D558,250 S * 12/2007 Hsia D16/203
D574,532 S * 8/2008 Lee D26/63
D574,988 S * 8/2008 Cheng D26/63
D615,688 S * 5/2010 Chen D26/63
D647,234 S * 10/2011 Izardel D26/65
9,197,033 B1 * 11/2015 Tsai H01S 5/4025
D762,903 S * 8/2016 Tsai D26/63
D764,694 S * 8/2016 Tsai D26/63
D767,484 S * 9/2016 Morad D13/102
D769,498 S * 10/2016 Liang D26/61
D785,224 S * 4/2017 Tsai D26/68
D793,334 S * 8/2017 Estes D13/102
D797,342 S * 9/2017 Rousseau D26/63
D797,973 S * 9/2017 Rousseau D26/63

(Continued)

Primary Examiner — Sheryl Lane
Assistant Examiner — Stacey L Hopkins

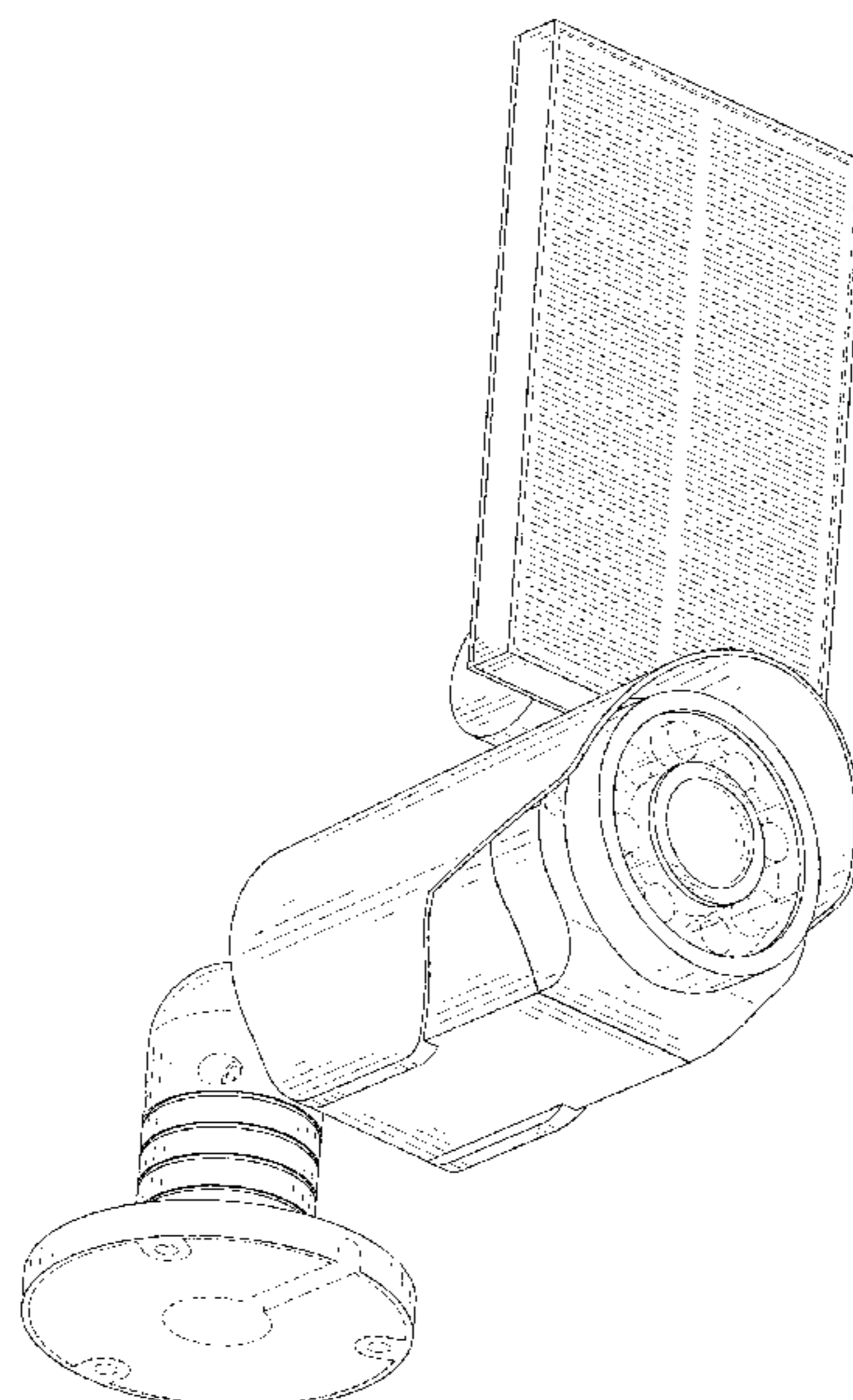
(57) **CLAIM**

The ornamental design for a combined outdoor light and solar panel, as shown and described.

DESCRIPTION

FIG. 1 is a perspective view of a combined outdoor light and solar panel showing my new design, where the combined outdoor light and solar panel is in a first configuration of use; FIG. 2 is another perspective view thereof; FIG. 3 is a front elevational view thereof; FIG. 4 is a rear elevational view thereof; FIG. 5 is a left side elevational view thereof; FIG. 6 is a right side elevational view thereof; FIG. 7 is a top plan view thereof; FIG. 8 is a bottom plan view thereof; and, FIG. 9 is a perspective view of the combined outdoor light and solar panel, where the combined outdoor light and solar panel is in a second configuration of use. The broken lines illustrate portions of the combined outdoor light and solar panel that form no part of the claimed design.

1 Claim, 9 Drawing Sheets



(56)

References Cited

U.S. PATENT DOCUMENTS

D810,342 S *	2/2018	Chen	D26/68	2006/0012978 A1 *	1/2006	Allsop	F21S 6/004
D814,402 S *	4/2018	Cheung	D13/102					362/183
D818,171 S *	5/2018	Brynjolfsson	D26/63	2006/0262522 A1 *	11/2006	Allsop	F21S 9/035
D821,303 S *	6/2018	Albright	D13/102					362/153.1
D821,626 S *	6/2018	Hou	D26/69	2007/0002561 A1 *	1/2007	Tesmer	F21V 21/0824
D822,246 S *	7/2018	Hou	D26/51					362/183
D832,203 S *	10/2018	Caswell	D13/102	2007/0084500 A1 *	4/2007	Chen	F21V 21/0824
D841,571 S *	2/2019	Zhou	D13/102					136/244
D841,858 S *	2/2019	Deng	D26/68	2009/0309968 A1 *	12/2009	Cheng	H04N 7/183
D846,791 S *	4/2019	Liang	D26/113					348/143
D848,046 S *	5/2019	Zhuo	D26/67	2010/0195319 A1 *	8/2010	Norniella Carreno ..		F21S 9/035
D851,798 S *	6/2019	Liu	D26/63					362/183
D851,799 S *	6/2019	Liu	D26/63	2010/0219762 A1 *	9/2010	Brumels	H02S 20/10
D866,456 S *	11/2019	Negley	D13/102					315/158
D866,831 S *	11/2019	Xiao	D26/51	2010/0296274 A1 *	11/2010	Yu	G09F 13/02
D867,644 S *	11/2019	Luo	D26/68					362/183
10,488,002 B1 *	11/2019	Hwang	F21S 8/081	2014/0198208 A1 *	7/2014	Neufeld	G06F 3/005
D881,433 S *	4/2020	Chen	D26/67					348/143
D883,547 S *	5/2020	Li	D26/63	2015/0260385 A1 *	9/2015	Brynjolfsson	F21V 23/045
2004/0100794 A1 *	5/2004	Michael	F21S 9/032					315/152
					2015/0358511 A1 *	12/2015	Jung	H04N 5/2256
									348/143
2005/0103378 A1 *	5/2005	Pu	H02S 20/00	2018/0094783 A1 *	4/2018	Wang	F21S 9/035
				136/244					2019/0211985 A1 *
									7/2019
									Wijaya
								
									F21V 21/0824

* cited by examiner

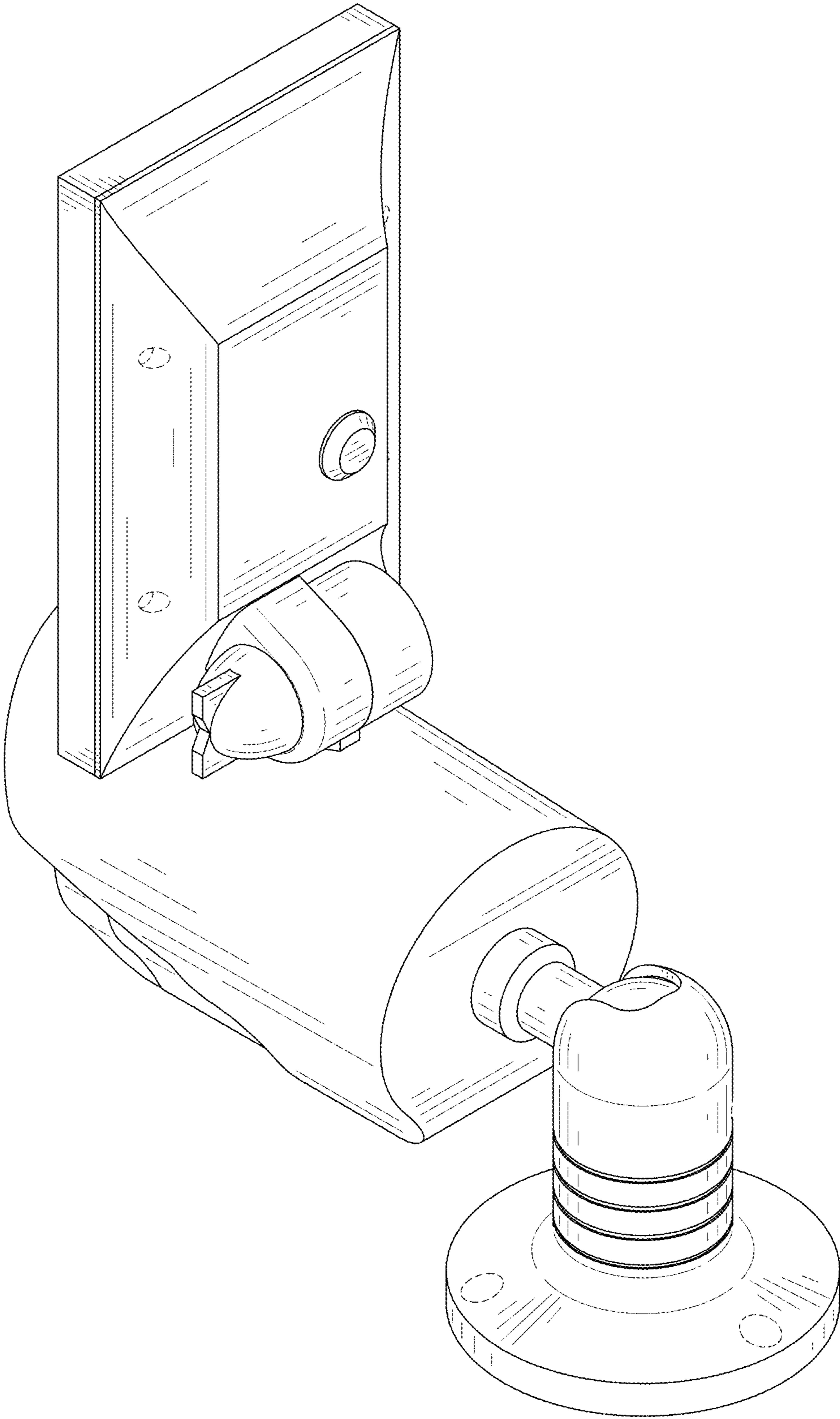


FIG. 1

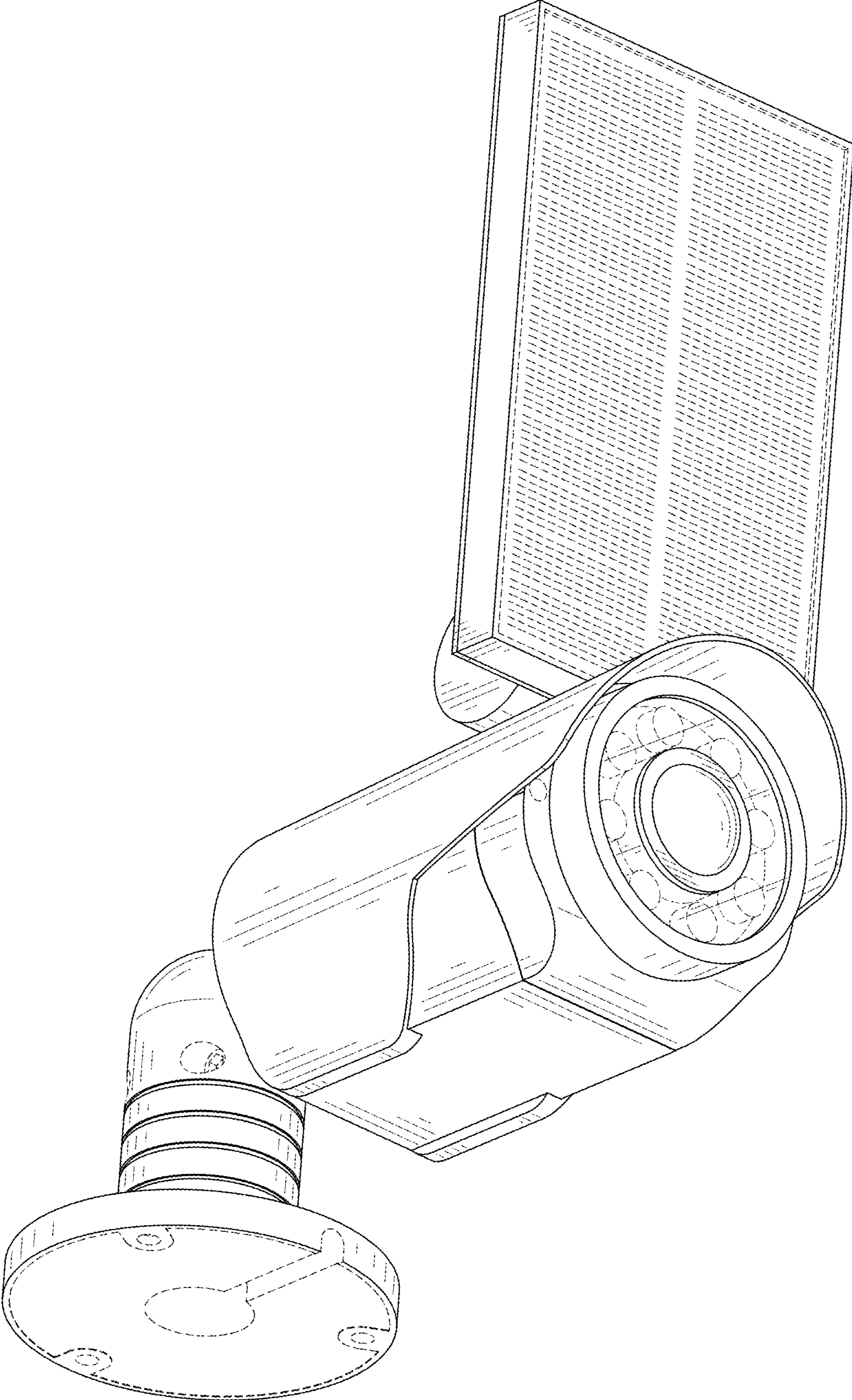


FIG. 2

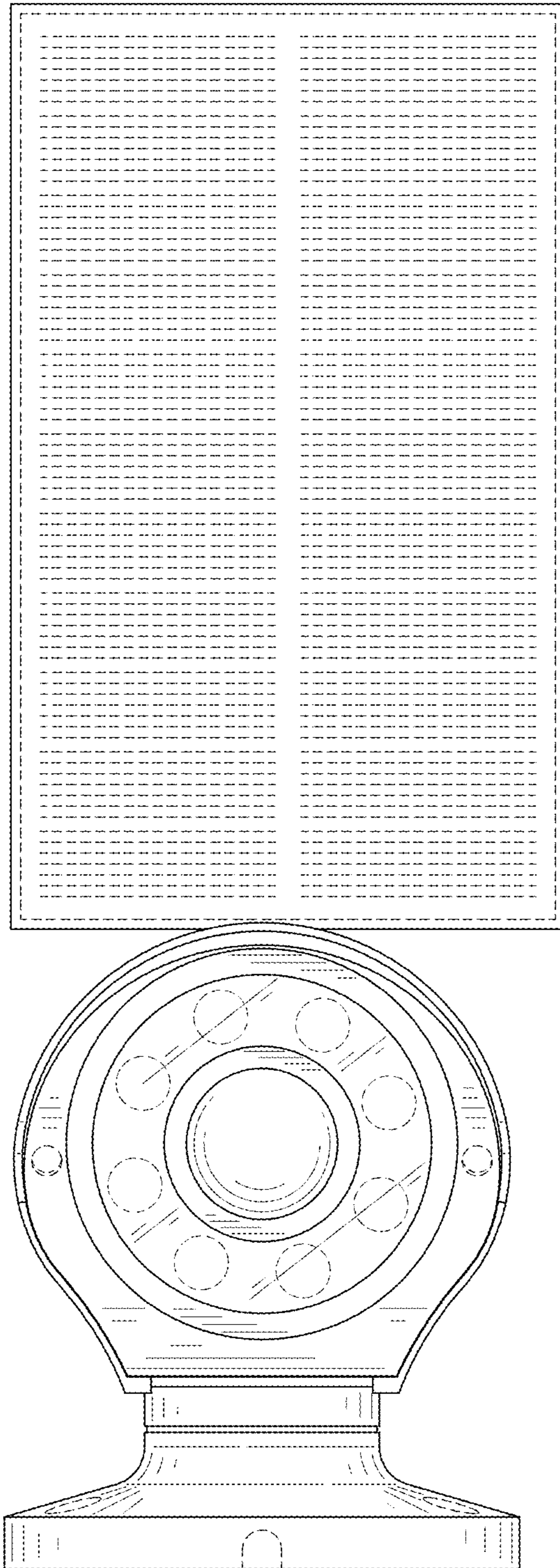


FIG. 3

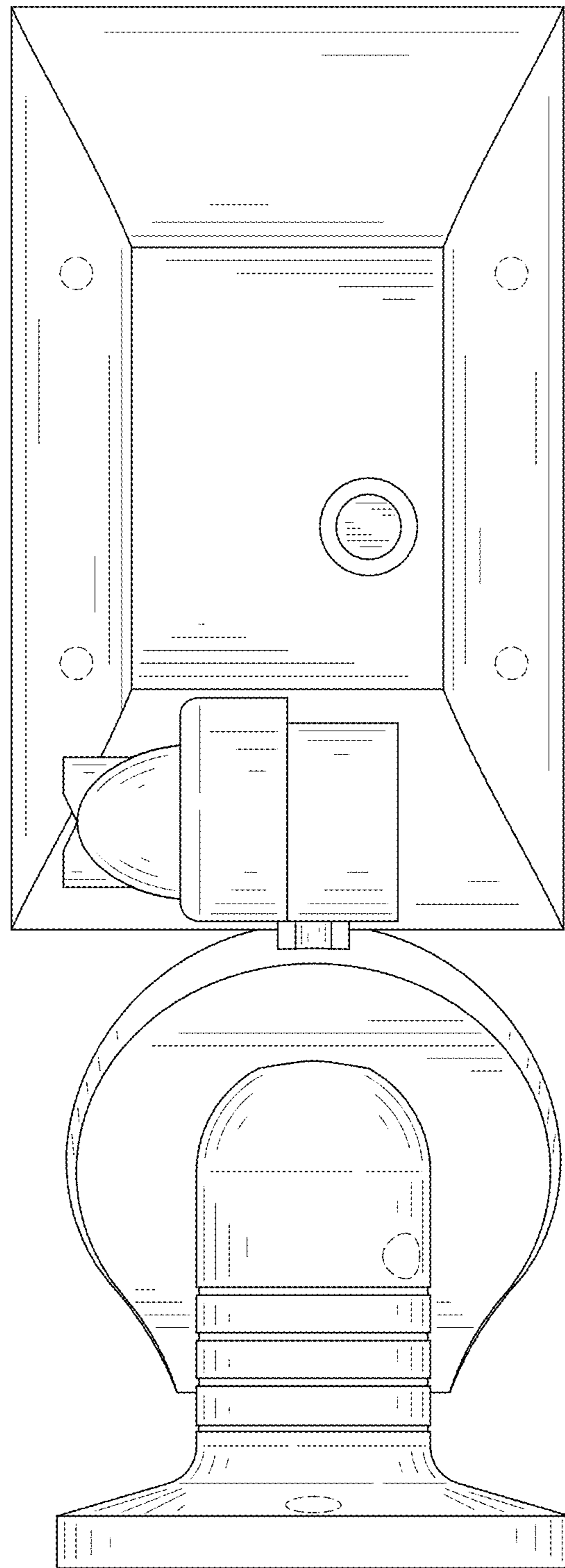


FIG. 4

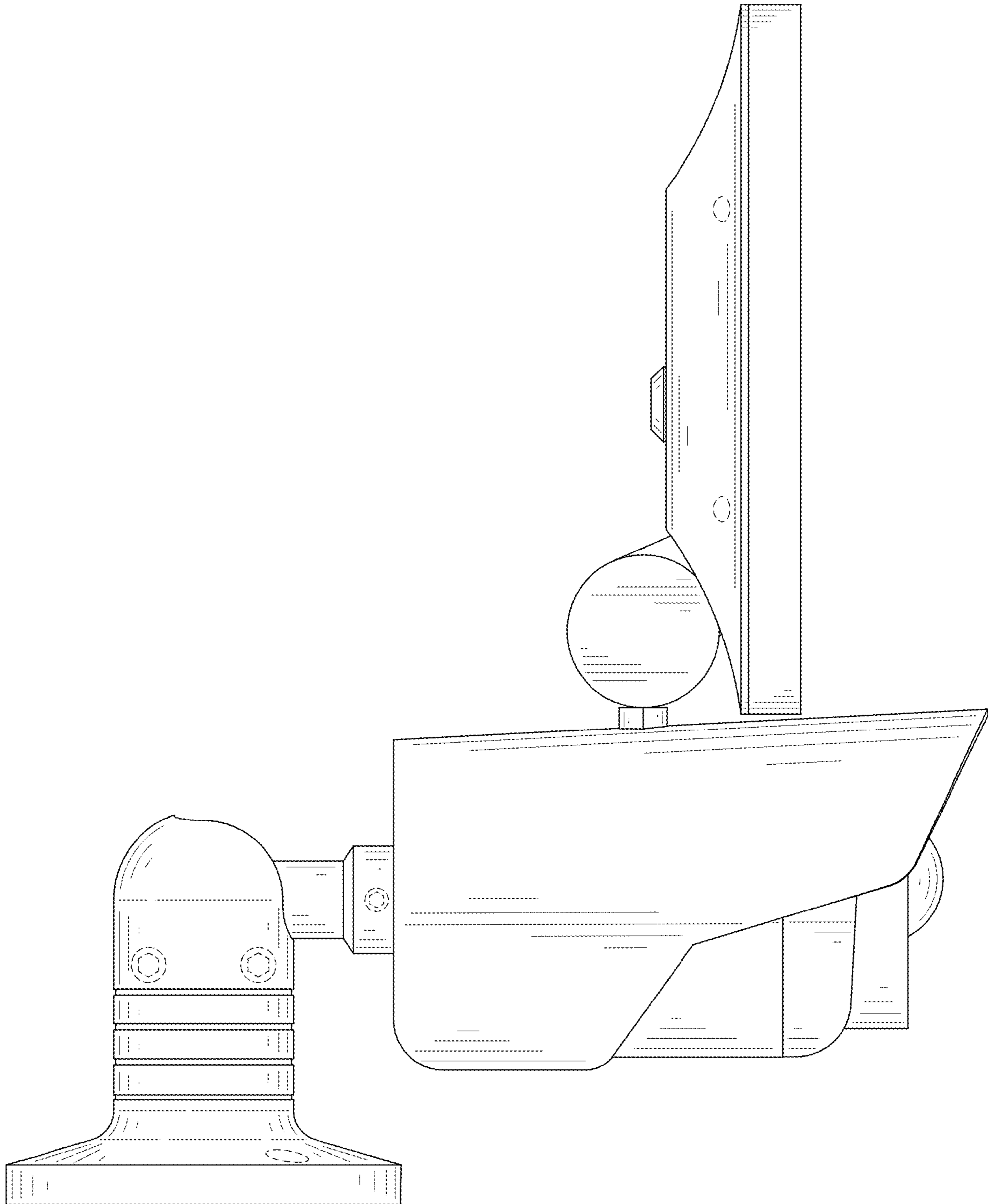


FIG. 5

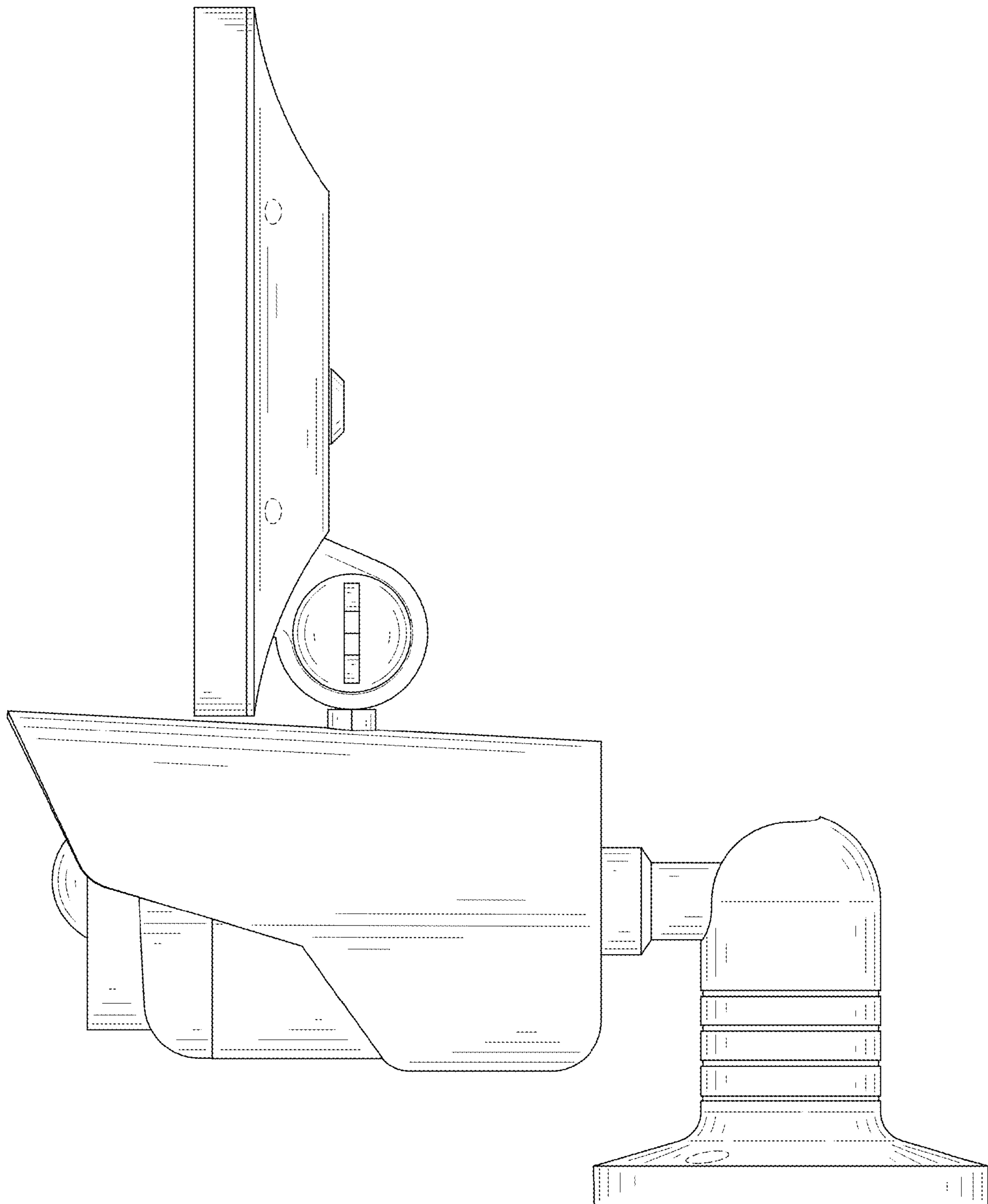


FIG. 6

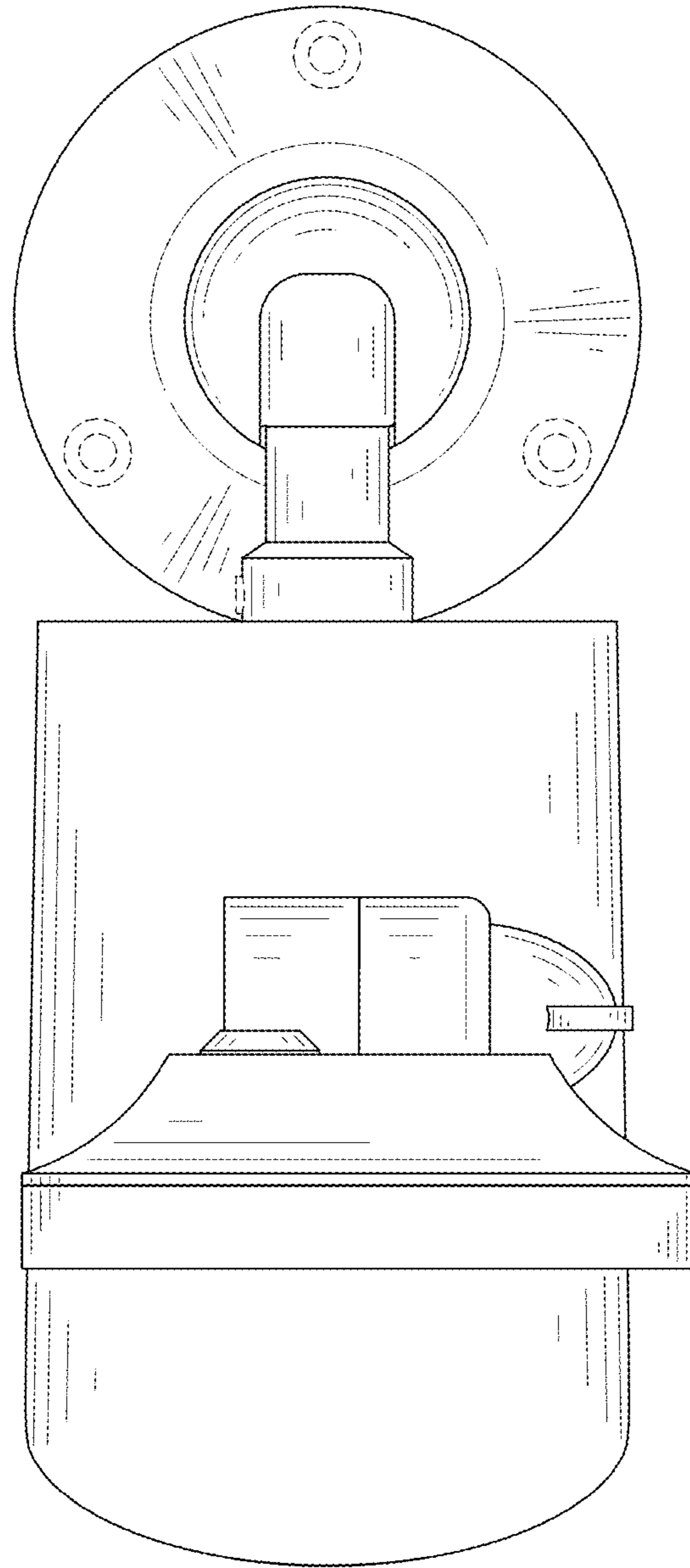


FIG. 7

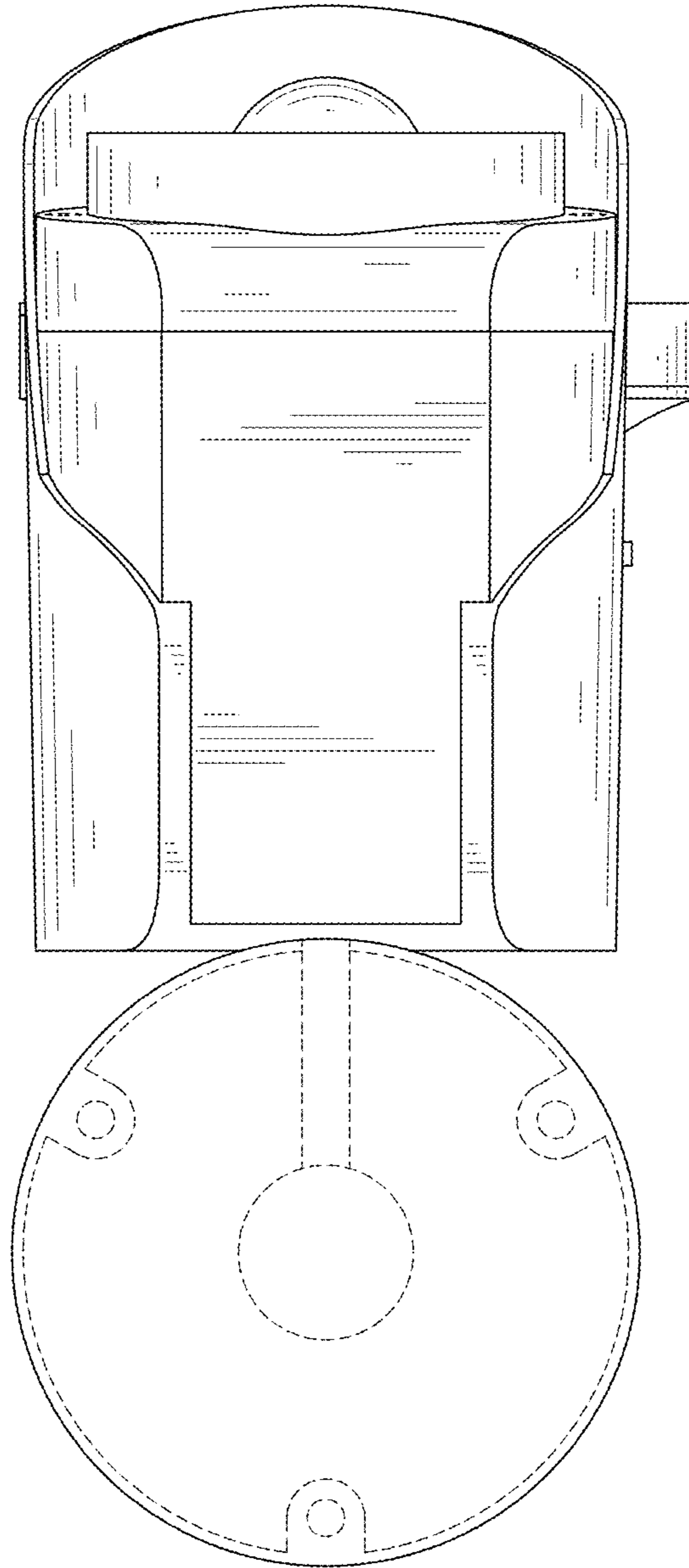


FIG. 8

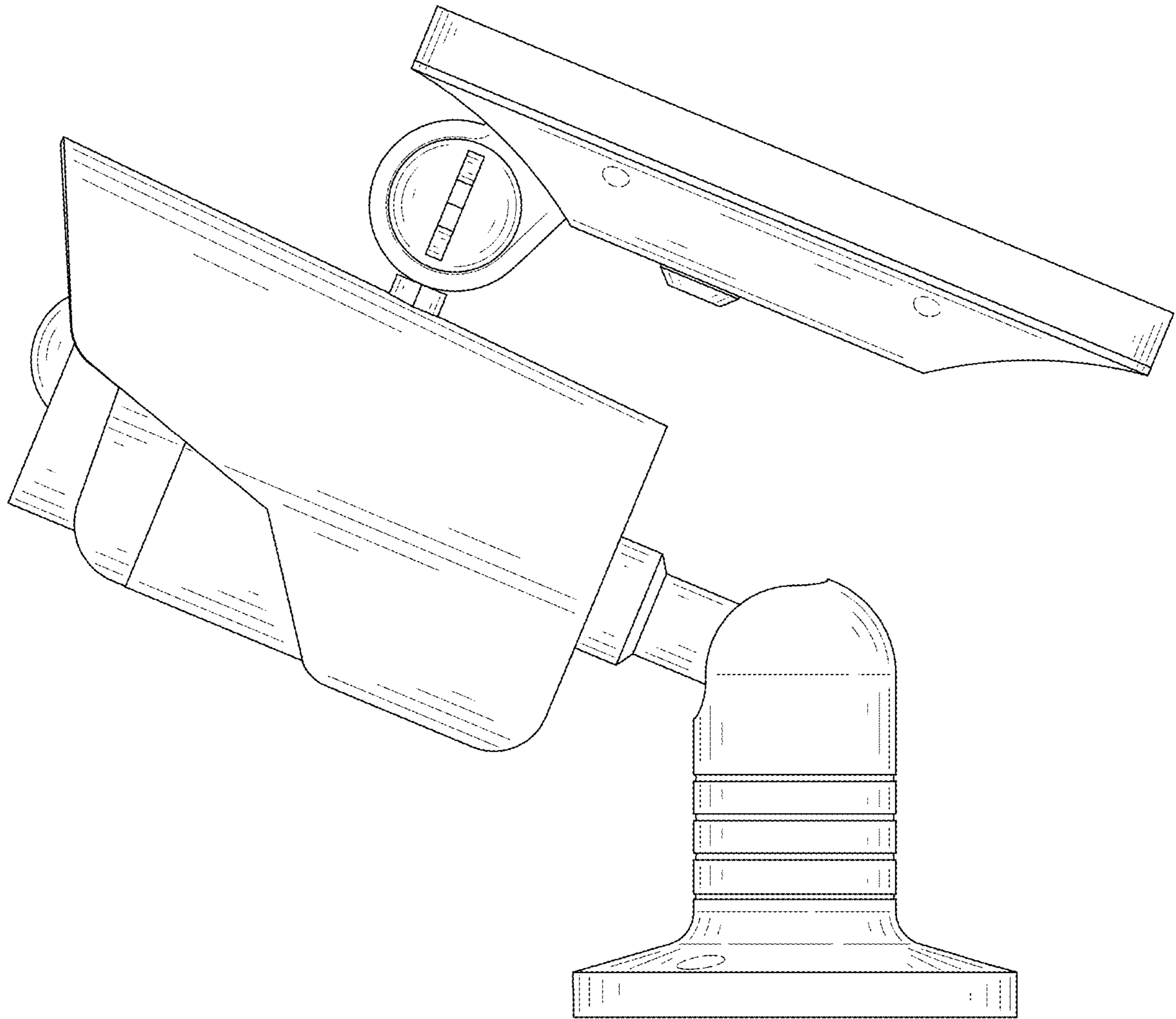


FIG. 9