



US00D900369S

(12) **United States Design Patent**
Liu et al.

(10) **Patent No.:** **US D900,369 S**

(45) **Date of Patent:** **** Oct. 27, 2020**

(54) **FLASHLIGHT**

(71) Applicant: **XENO Company Shangluo Limited,**
Shaanxi (CN)

(72) Inventors: **Jun Liu,** Shaanxi (CN); **Wei Xiong,**
Shaanxi (CN)

(73) Assignee: **XENO Company Shangluo Limited,**
Shaanxi (CN)

(**) Term: **15 Years**

(21) Appl. No.: **29/689,424**

(22) Filed: **Apr. 30, 2019**

(30) **Foreign Application Priority Data**

Nov. 23, 2018 (CN) 2018 3 0670088

(51) **LOC (12) Cl.** **26-02**

(52) **U.S. Cl.**
USPC **D26/49**

(58) **Field of Classification Search**
USPC D26/37-38, 40-42, 46, 49, 50
CPC F21L 2003/00; F21L 4/00; F21L 4/005;
F21L 4/02; F21L 4/022; F21L 4/025;
F21L 4/027; F21L 4/04; F21L 4/045;
F21L 4/08; F21L 4/085; F21L 14/02
See application file for complete search history.

(56) **References Cited**

U.S. PATENT DOCUMENTS

D465,045 S	*	10/2002	Yamamoto	D26/49
D527,481 S	*	8/2006	Opolka	D26/49
D532,543 S	*	11/2006	Julius	D26/49
D557,840 S	*	12/2007	Shiu	D26/37
D572,395 S	*	7/2008	Guelzow	D26/49
D577,449 S	*	9/2008	Shiu	D26/49
D580,080 S	*	11/2008	Ho	D26/49
D596,772 S	*	7/2009	Chang	D26/49

D629,542 S	*	12/2010	Robinson	D26/49
D629,940 S	*	12/2010	Osterhout	D26/49
D629,941 S	*	12/2010	Robinson	D26/49
D639,478 S	*	6/2011	Nguyen	D26/49
D641,512 S	*	7/2011	Wang	D26/46
D644,775 S	*	9/2011	Nguyen	D26/49
D648,466 S	*	11/2011	Hickman	D26/42
D648,467 S	*	11/2011	Nguyen	D26/46
D658,794 S	*	5/2012	Wang	D26/38

(Continued)

Primary Examiner — Sheryl Lane

Assistant Examiner — Stacey L Hopkins

(57) **CLAIM**

The ornamental design for a flashlight, as shown and described.

DESCRIPTION

FIG. 1 is a front elevational view of a Flashlight showing our new design;

FIG. 2 is a rear elevational view thereof;

FIG. 3 is a left side view thereof;

FIG. 4 is a right side view thereof;

FIG. 5 is a top plan view thereof;

FIG. 6 is a bottom plan view thereof;

FIG. 7 is a top, front and left side perspective view thereof;

FIG. 8 is a bottom, front and left side perspective view thereof;

FIG. 9 is a bottom, rear and right side perspective view thereof;

FIG. 10 is a bottom, rear and left side perspective view thereof;

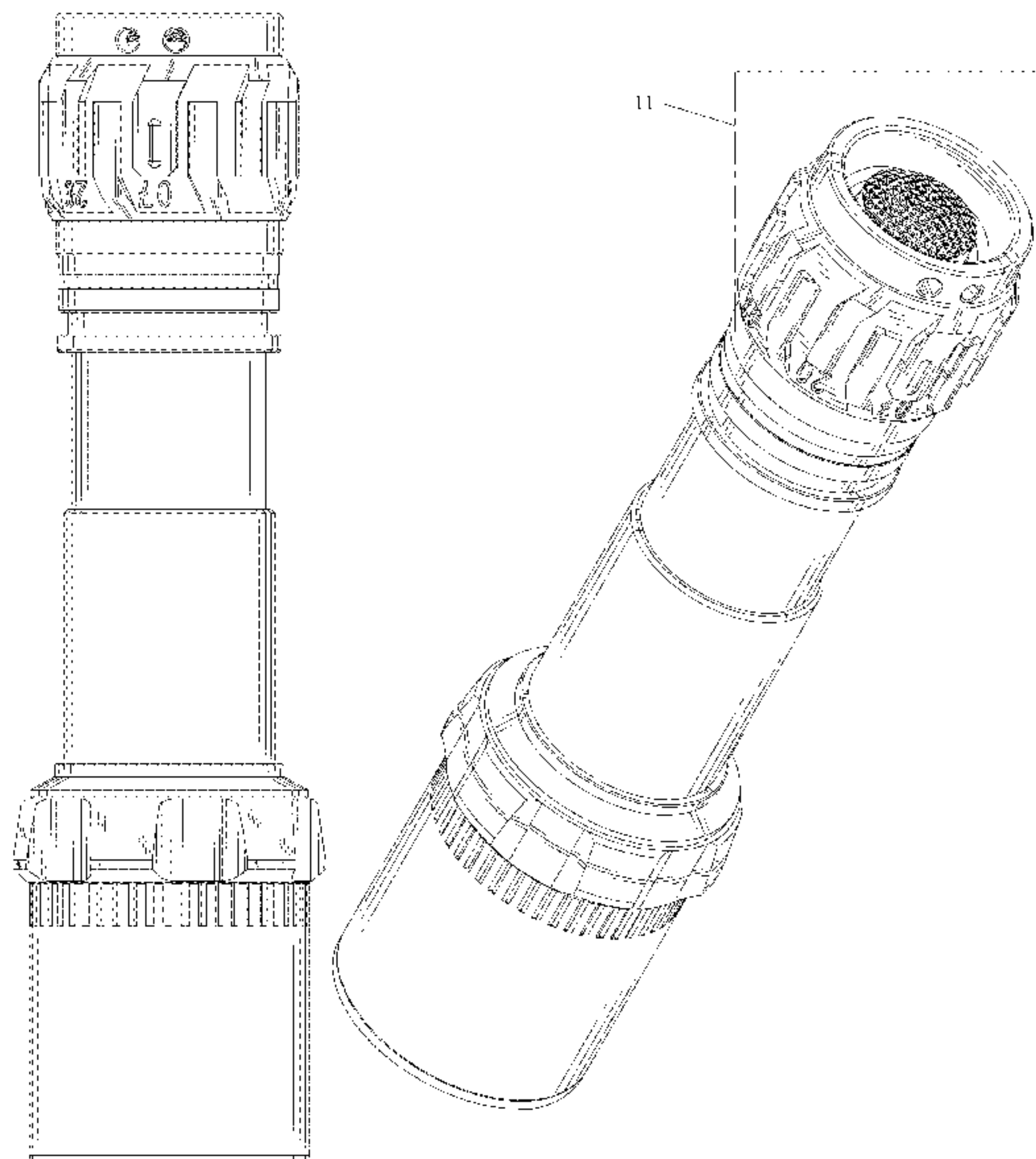
FIG. 11 is an enlarged view of portion 11 in FIG. 7; and,

FIG. 12 is an enlarged view of portion 12 in FIG. 8.

The oblique shade lines in the drawings represent a reflective surface.

Throughout the drawings the broken lines represent boundaries of the enlarged views and form no part of the claimed design.

1 Claim, 12 Drawing Sheets



(56)

References Cited

U.S. PATENT DOCUMENTS

D671,249 S *	11/2012	Sheikh	D26/38	D879,345 S *	3/2020	Chen	D26/49
D674,943 S *	1/2013	Sheikh	D26/38	D881,432 S *	4/2020	Windom	D26/49
D685,940 S *	7/2013	Lee	D26/49	D882,138 S *	4/2020	Bao	D26/49
D706,475 S *	6/2014	Lee	D26/49	D884,946 S *	5/2020	Muyshondt	D26/49
D706,476 S *	6/2014	Lee	D26/49	D889,011 S *	6/2020	Hong	D26/49
D732,722 S *	6/2015	Kunzendorf	D26/49	2003/0016533 A1 *	1/2003	Forsythe	F21L 4/005 362/204
D736,975 S *	8/2015	Tang	D26/38	2004/0136185 A1 *	7/2004	Sharrah	F21V 15/01 362/202
D744,137 S *	11/2015	Ma	D26/49	2006/0028809 A1 *	2/2006	Huang	F21V 15/01 362/157
D745,987 S *	12/2015	Nawaz	D26/38	2006/0028811 A1 *	2/2006	Ross, Jr.	H04N 5/2252 362/157
D747,020 S *	1/2016	Chouprinov	D26/38	2008/0013307 A1 *	1/2008	Kang	F21L 4/085 362/205
D747,024 S *	1/2016	Windom	D26/49	2008/0013308 A1 *	1/2008	Kang	F21L 4/00 362/205
D748,309 S *	1/2016	Cheng	D26/38	2009/0185368 A1 *	7/2009	Holmes	F21L 4/027 362/184
D749,766 S *	2/2016	Nguyen	D26/49	2009/0295310 A1 *	12/2009	Duerr	F21L 4/025 315/297
D750,305 S *	2/2016	Sheikh	D26/38	2010/0085744 A1 *	4/2010	Bertken	F21L 4/022 362/184
D751,742 S *	3/2016	Windom	D26/49	2010/0315805 A1 *	12/2010	Dongpan	F21V 5/006 362/157
D772,455 S *	11/2016	Chen	D26/49	2012/0176780 A1 *	7/2012	Gross	F21V 23/0414 362/184
D780,356 S *	2/2017	Nguyen	D26/49	2014/0268713 A1 *	9/2014	Unger	F21V 23/0414 362/205
D783,193 S *	4/2017	Kao	D26/49	2015/0036330 A1 *	2/2015	Economos	F21L 4/08 362/183
D786,466 S *	5/2017	Prieto	D26/49	2016/0018071 A1 *	1/2016	Sharrah	F21V 21/0885 362/184
D794,237 S *	8/2017	Christensen	D26/49	2016/0033107 A1 *	2/2016	Windom	F21V 5/006 362/184
D802,195 S *	11/2017	Huang	D26/49	2019/0017689 A1 *	1/2019	Parsons	F21V 21/406
D810,337 S *	2/2018	Eichelberger	D26/49	2019/0145588 A1 *	5/2019	Windom	F21L 4/025 250/504 H
D811,637 S *	2/2018	Feustel	D26/49	2020/0173629 A1 *	6/2020	Li	F21V 23/0421
D814,087 S *	3/2018	Cao	D26/49				
D814,088 S *	3/2018	Cao	D26/49				
D818,622 S *	5/2018	Kunzendorf	D26/49				
D823,508 S *	7/2018	Windom	D26/49				
D823,509 S *	7/2018	Kunzendorf	D26/49				
D823,510 S *	7/2018	Kunzendorf	D26/49				
D838,396 S *	1/2019	Lehovetzki	D26/49				
D842,515 S *	3/2019	Qiu	D26/49				
D844,874 S *	4/2019	Eichelberger	D26/49				
D851,310 S *	6/2019	Windom	D26/49				
D853,610 S *	7/2019	Galli	D26/49				
D854,209 S *	7/2019	Liu	D26/49				
D865,250 S *	10/2019	Qiu	D26/49				
D866,031 S *	11/2019	Muyshondt	D26/49				
D871,639 S *	12/2019	Prieto	D26/49				
D878,651 S *	3/2020	Qiu	D26/49				

* cited by examiner

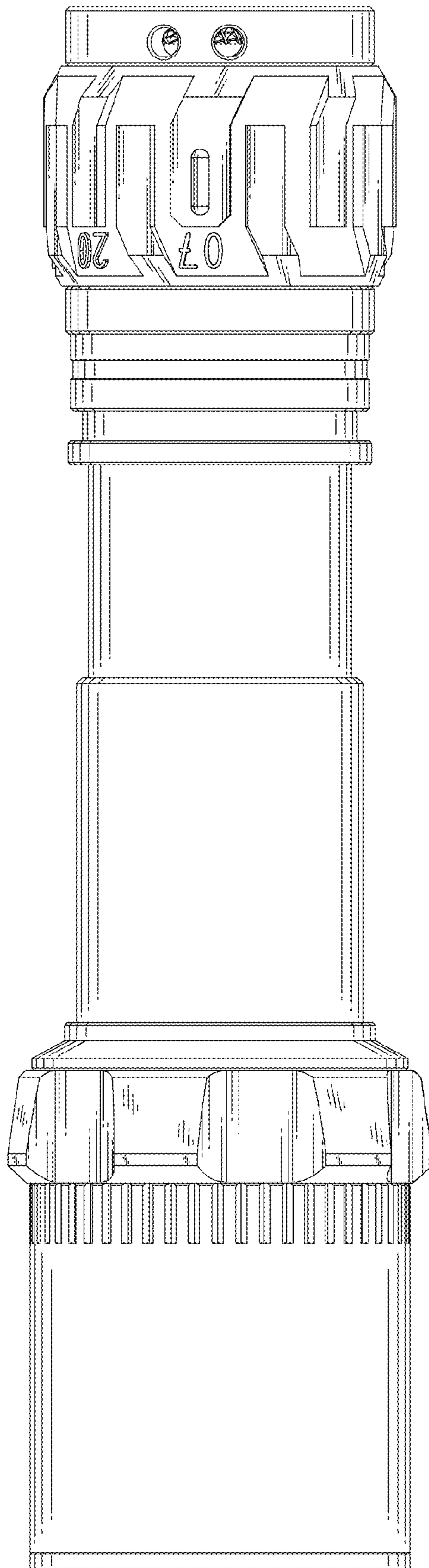


Fig. 1

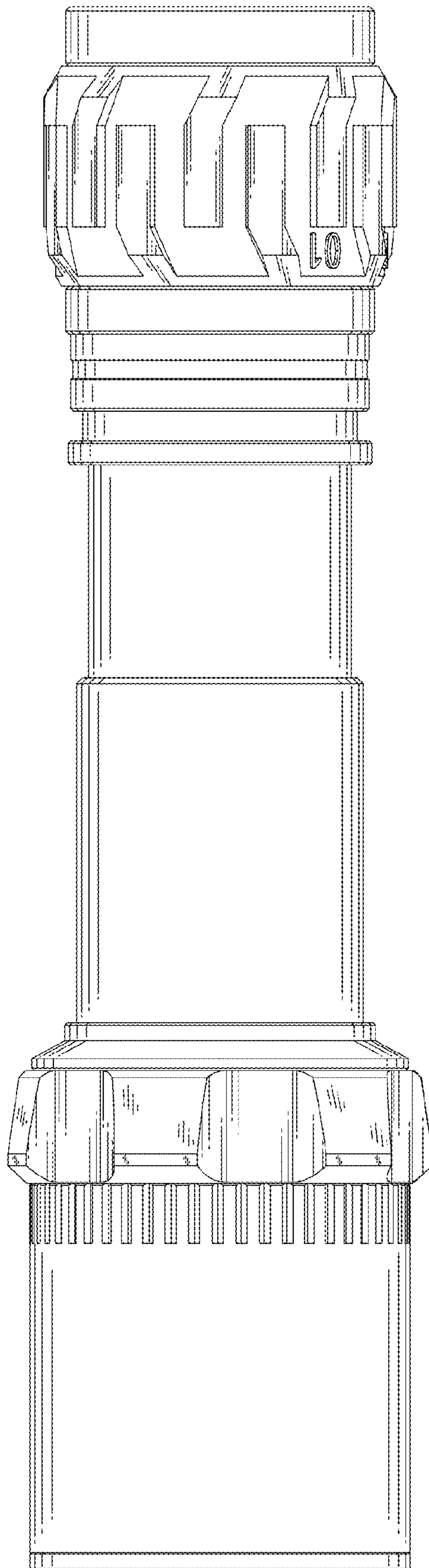


Fig. 2

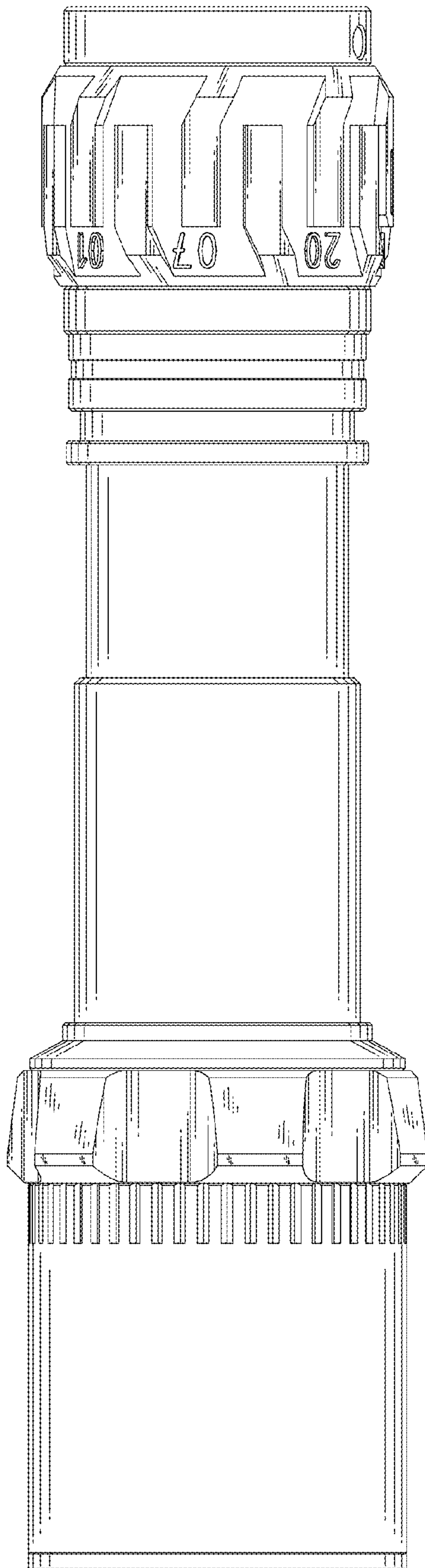


Fig.3

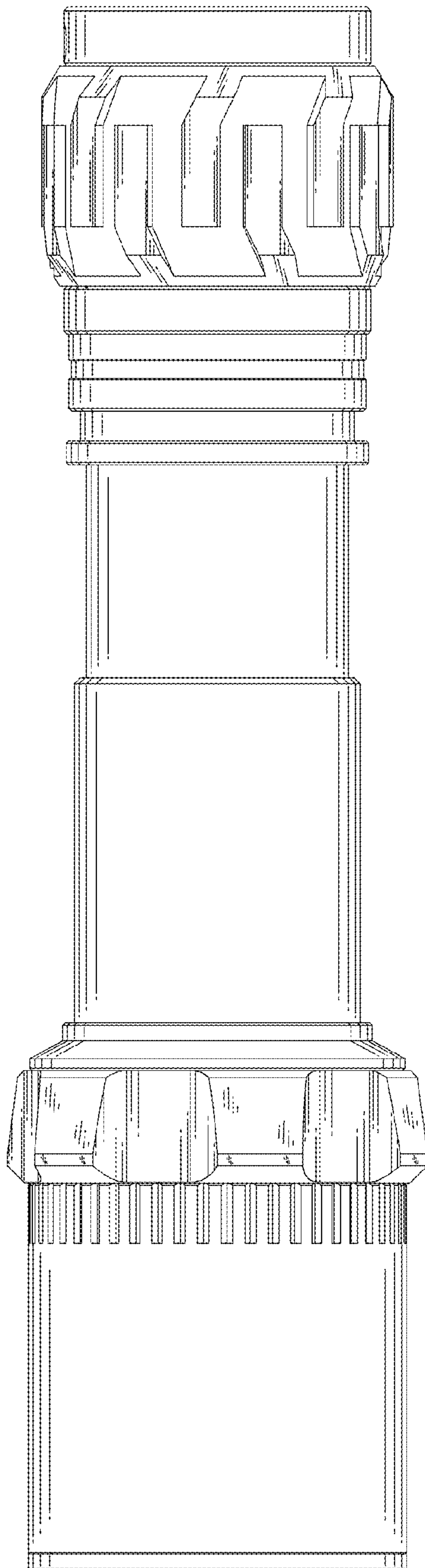


Fig. 4

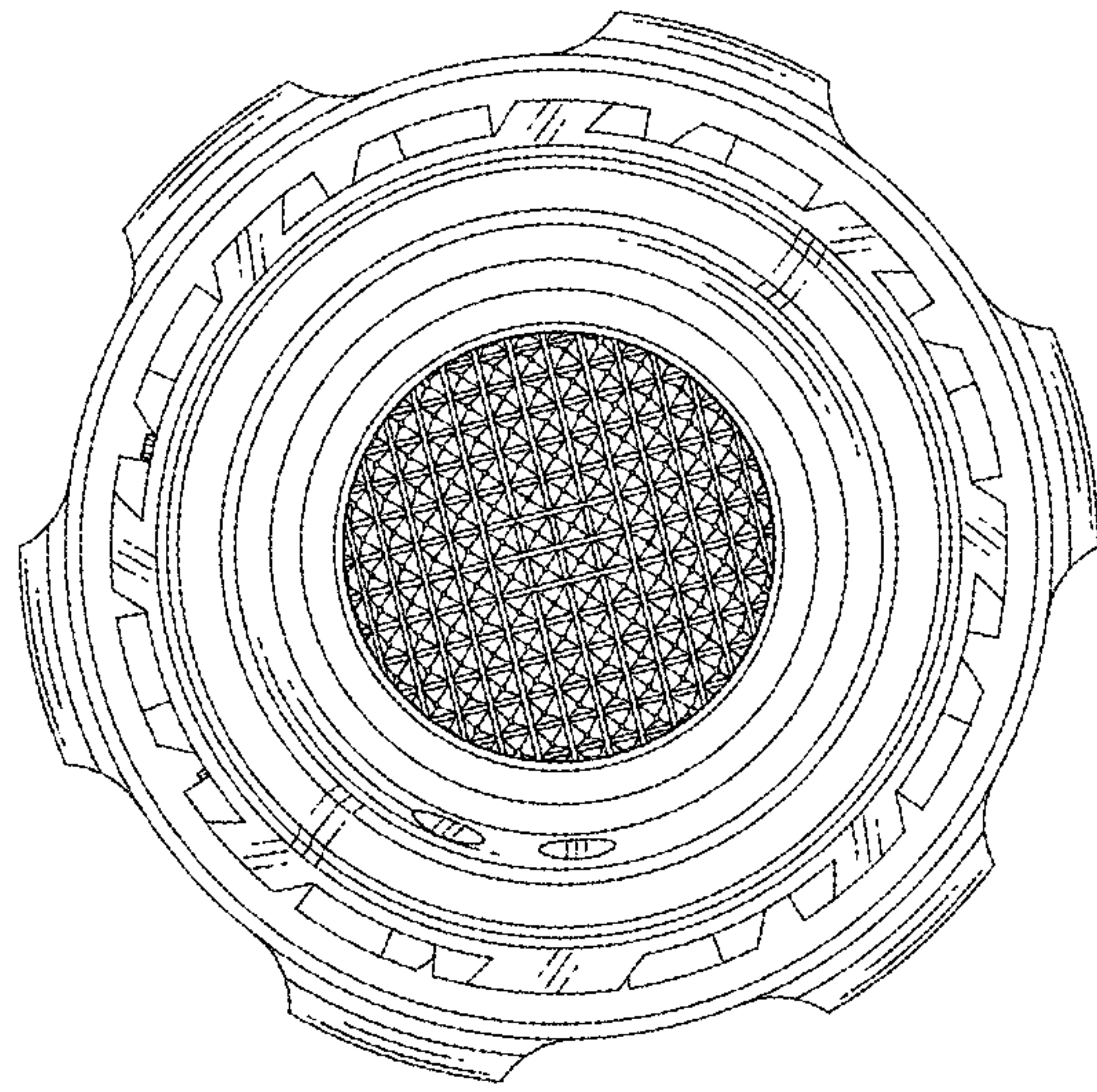


Fig.5

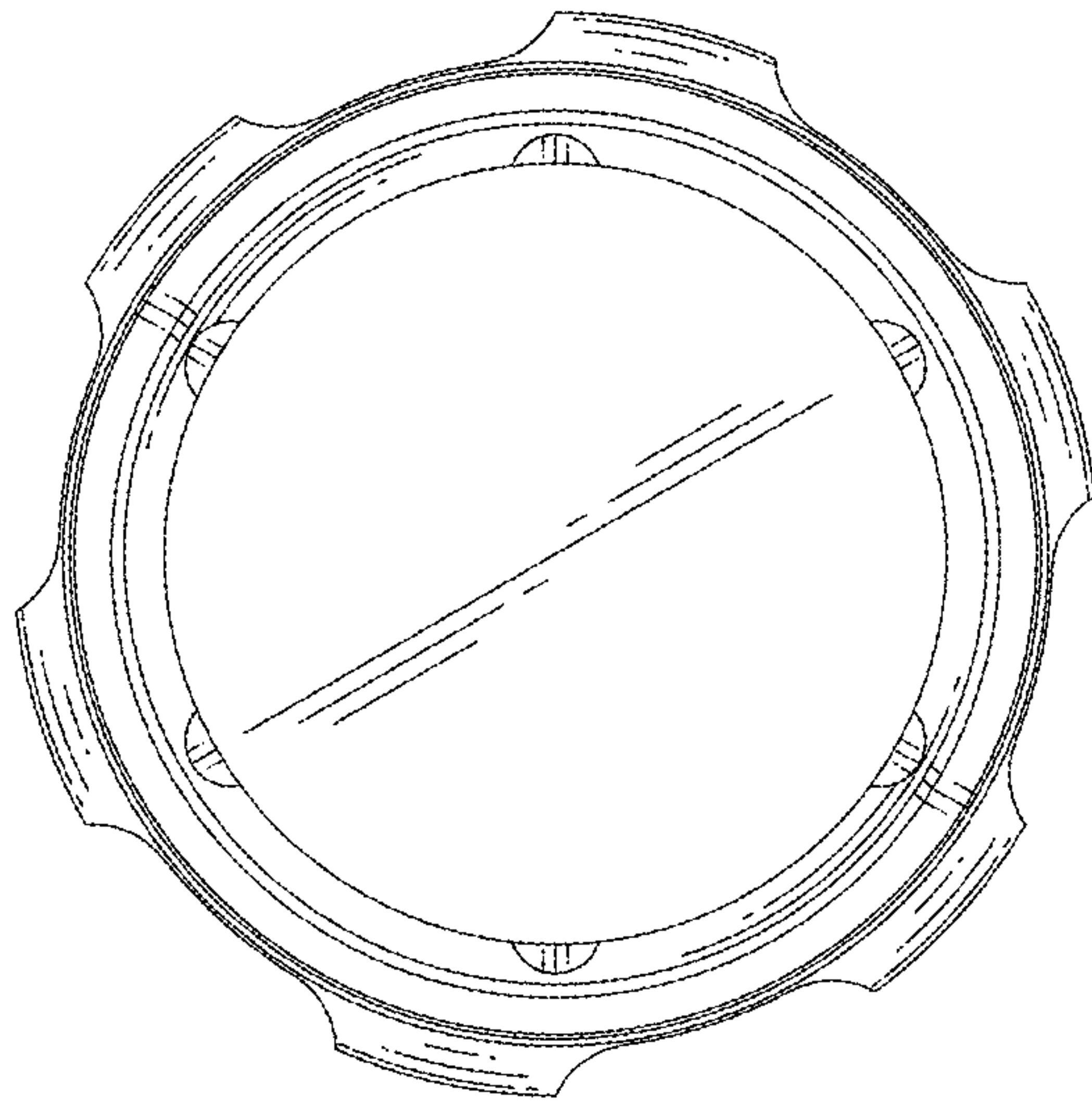


Fig. 6

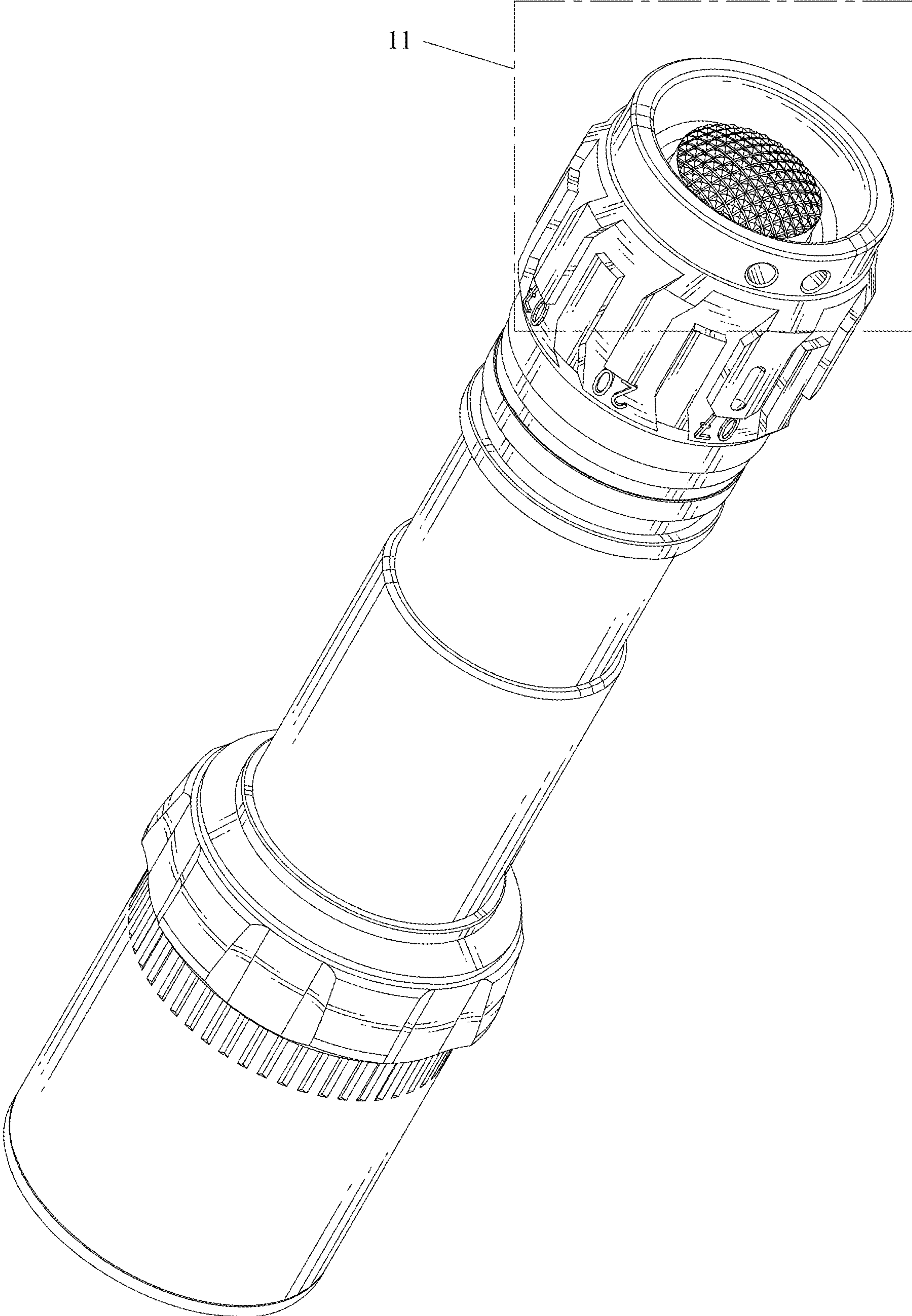


Fig. 7

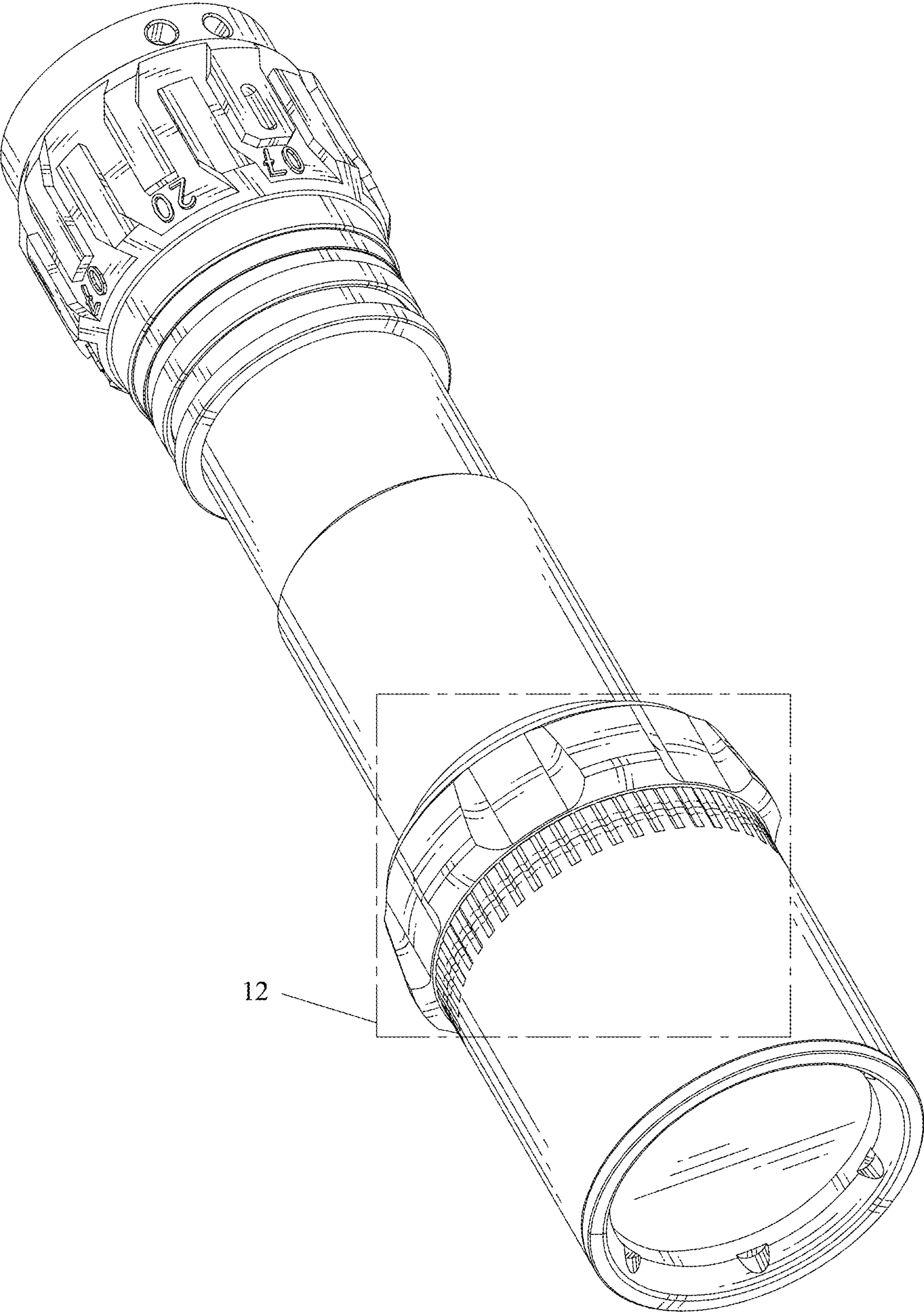


Fig. 8

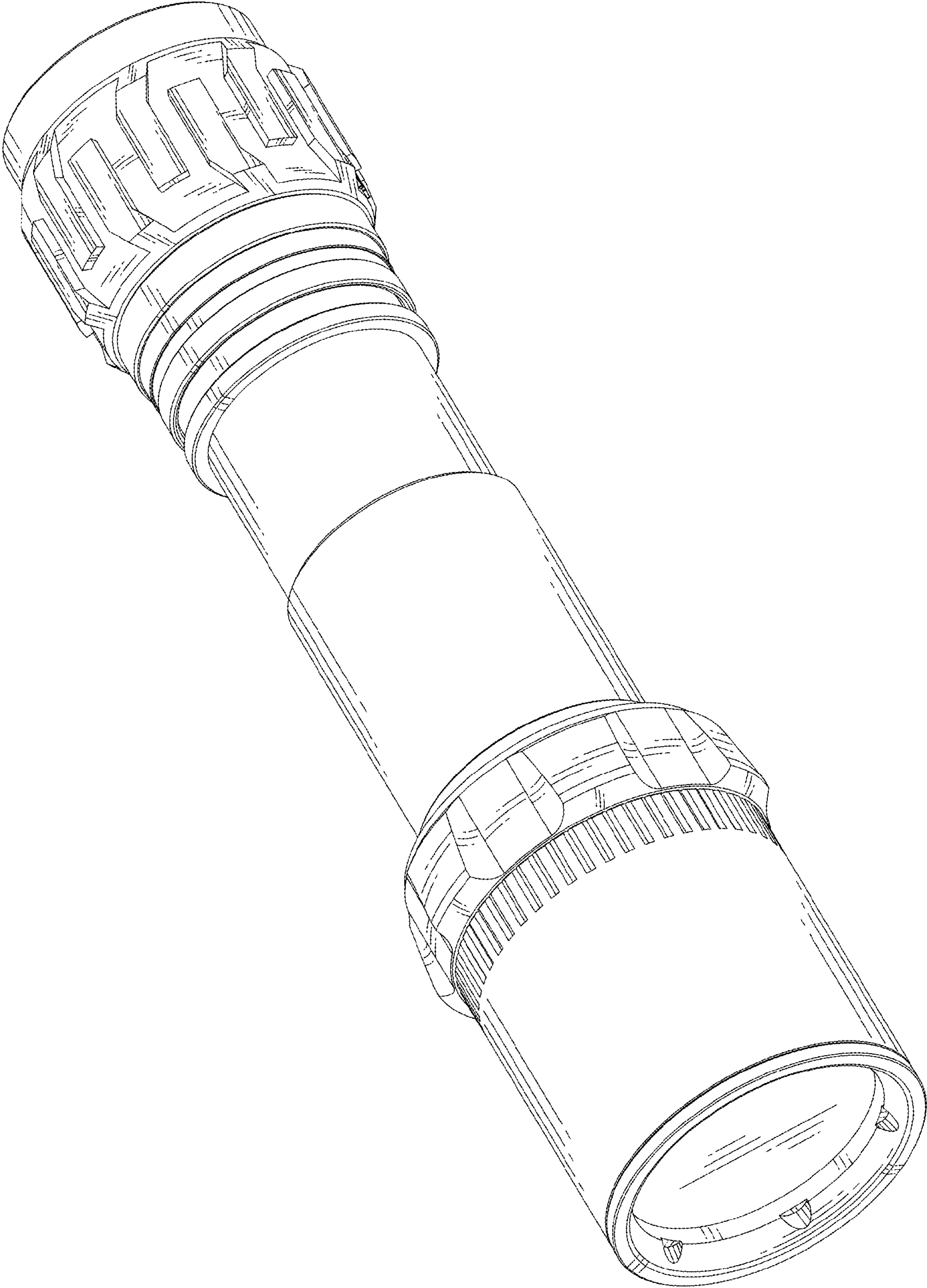


Fig. 9

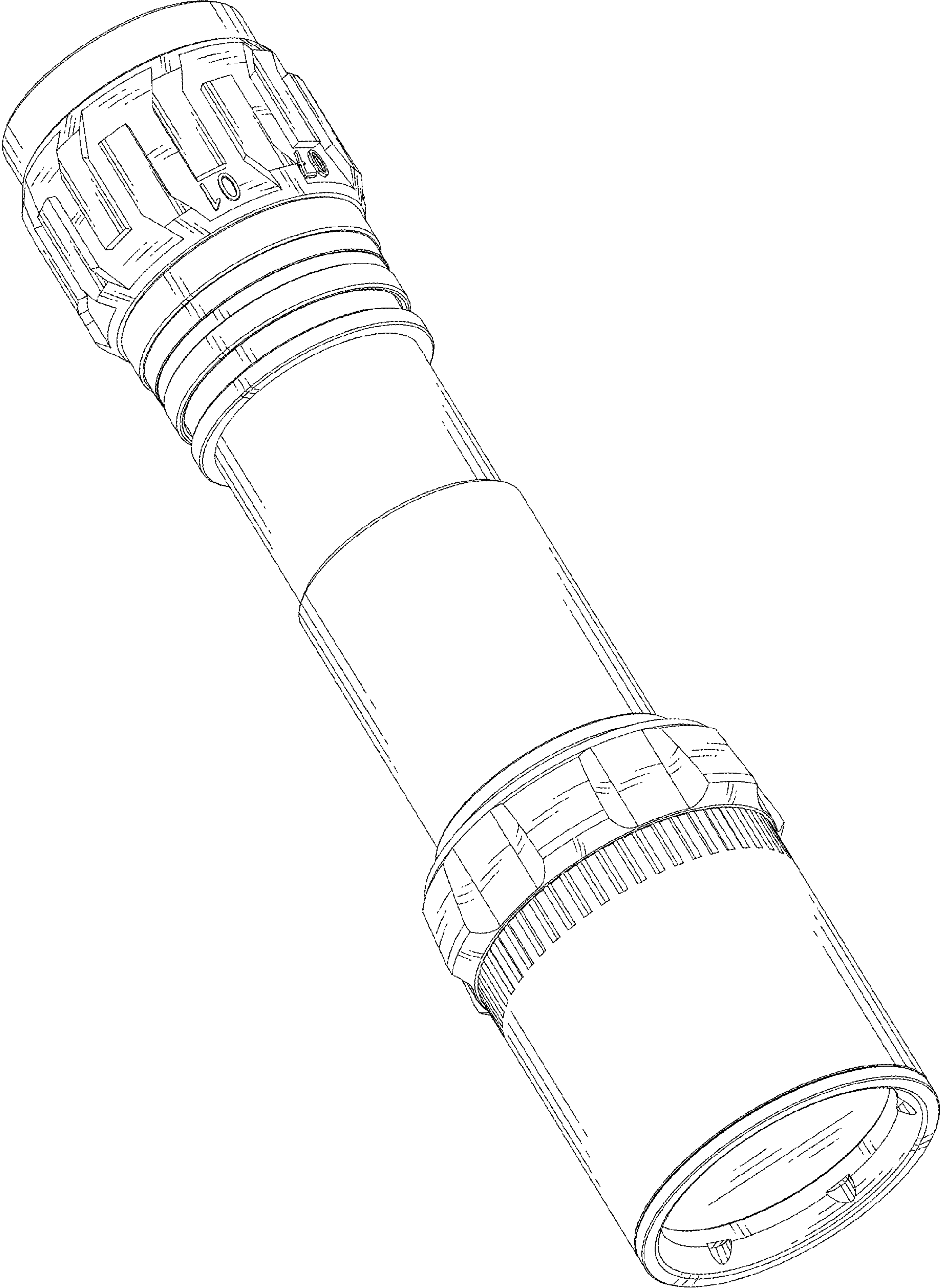


Fig. 10

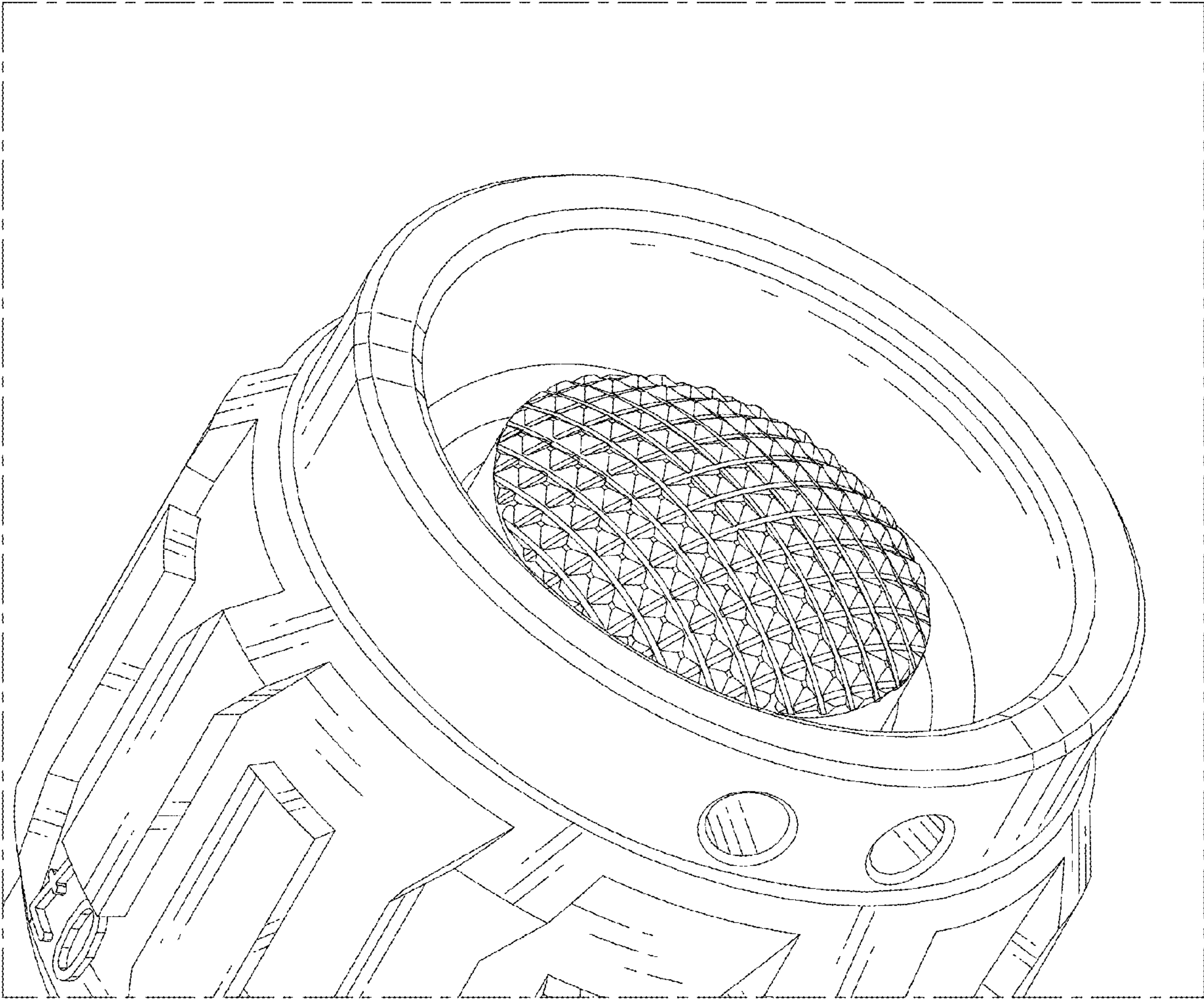


Fig. 11

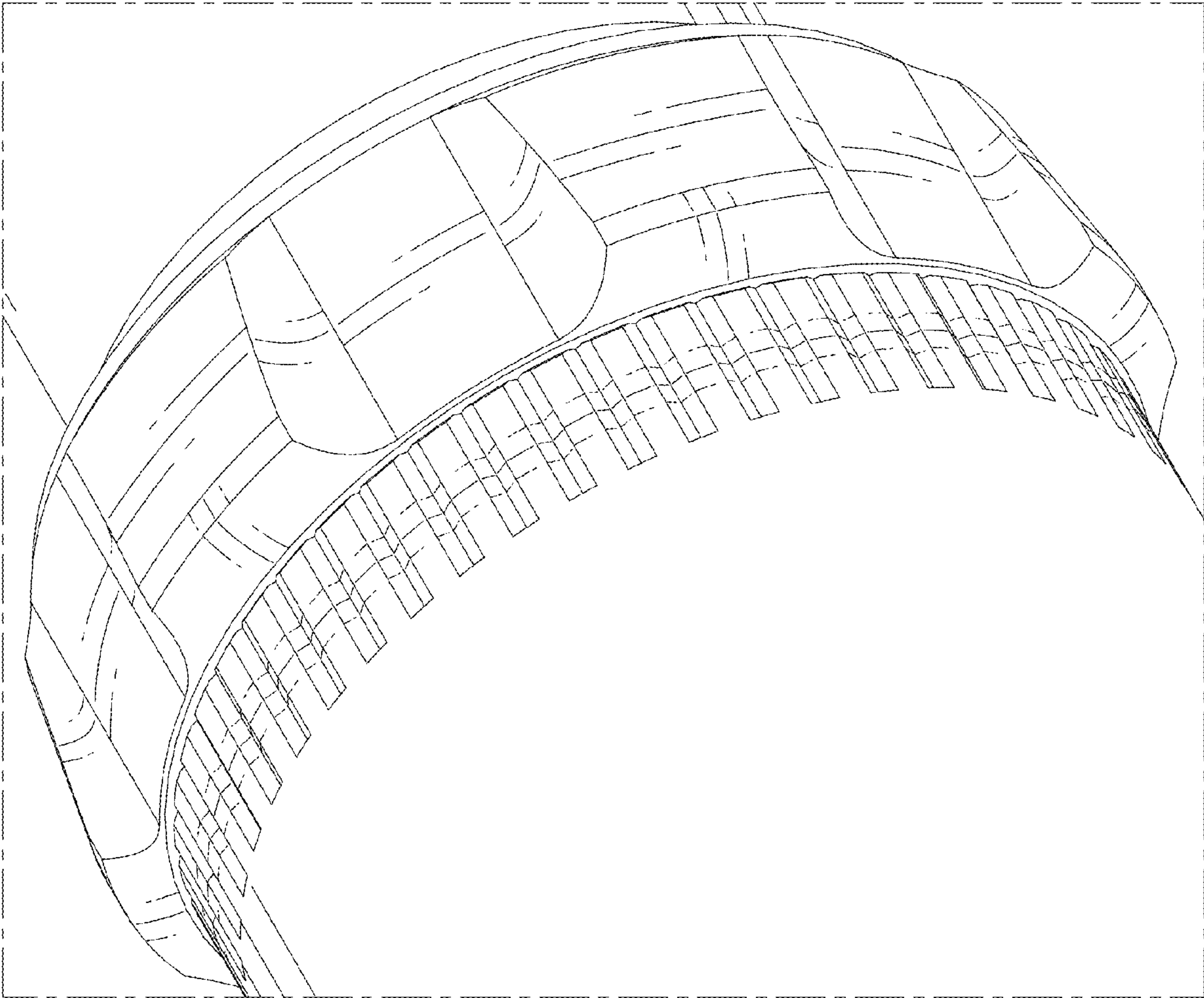


Fig. 12