



US00D900368S

(12) **United States Design Patent**
Petrucelli et al.

(10) **Patent No.:** **US D900,368 S**
(45) **Date of Patent:** **** Oct. 27, 2020**

- (54) **FLASHLIGHT**
- (71) Applicant: **Measurement Ltc.**, Grand Cayman (KY)
- (72) Inventors: **Steven Petrucelli**, Cranbury, NJ (US);
Jack Ko, Shenzhen (CN)
- (73) Assignee: **Measurement Ltd.**, Grand Cayman (KY)
- (**) Term: **15 Years**
- (21) Appl. No.: **29/668,286**
- (22) Filed: **Oct. 29, 2018**
- (51) **LOC (12) Cl.** **26-02**
- (52) **U.S. Cl.**
USPC **D26/49**
- (58) **Field of Classification Search**
USPC D26/37–38, 40–42, 46, 49–50
CPC F21L 2003/00; F21L 4/00; F21L 4/005;
F21L 4/02; F21L 4/022; F21L 4/025;
F21L 4/027; F21L 4/04; F21L 4/045;
F21L 4/08; F21L 4/085; F21L 2005/00;
F21L 14/02
See application file for complete search history.

D565,769 S	4/2008	Shiu	
D566,309 S	4/2008	Kornfeld	
D596,328 S *	7/2009	Shiu	D26/49
7,581,848 B1 *	9/2009	Parsons	F21L 4/027 200/60
D629,542 S	12/2010	Robinson	
D629,544 S	12/2010	Deguglimo	
D647,232 S	10/2011	Liu	
D660,487 S	5/2012	Wu	
D671,249 S	11/2012	Sheikh	
D674,943 S	1/2013	Sheikh	
D683,877 S	6/2013	Brands	
D690,383 S	9/2013	Sheikh	
D706,476 S	6/2014	Lee	
D710,526 S	8/2014	Lee	
D716,984 S	11/2014	Inskeep	

(Continued)

Primary Examiner — Brandon M Rosati
Assistant Examiner — Stacey L Hopkins
(74) *Attorney, Agent, or Firm* — Howard IP Law Group, PC

(57) **CLAIM**

The ornamental design for a flashlight, as shown and described.

DESCRIPTION

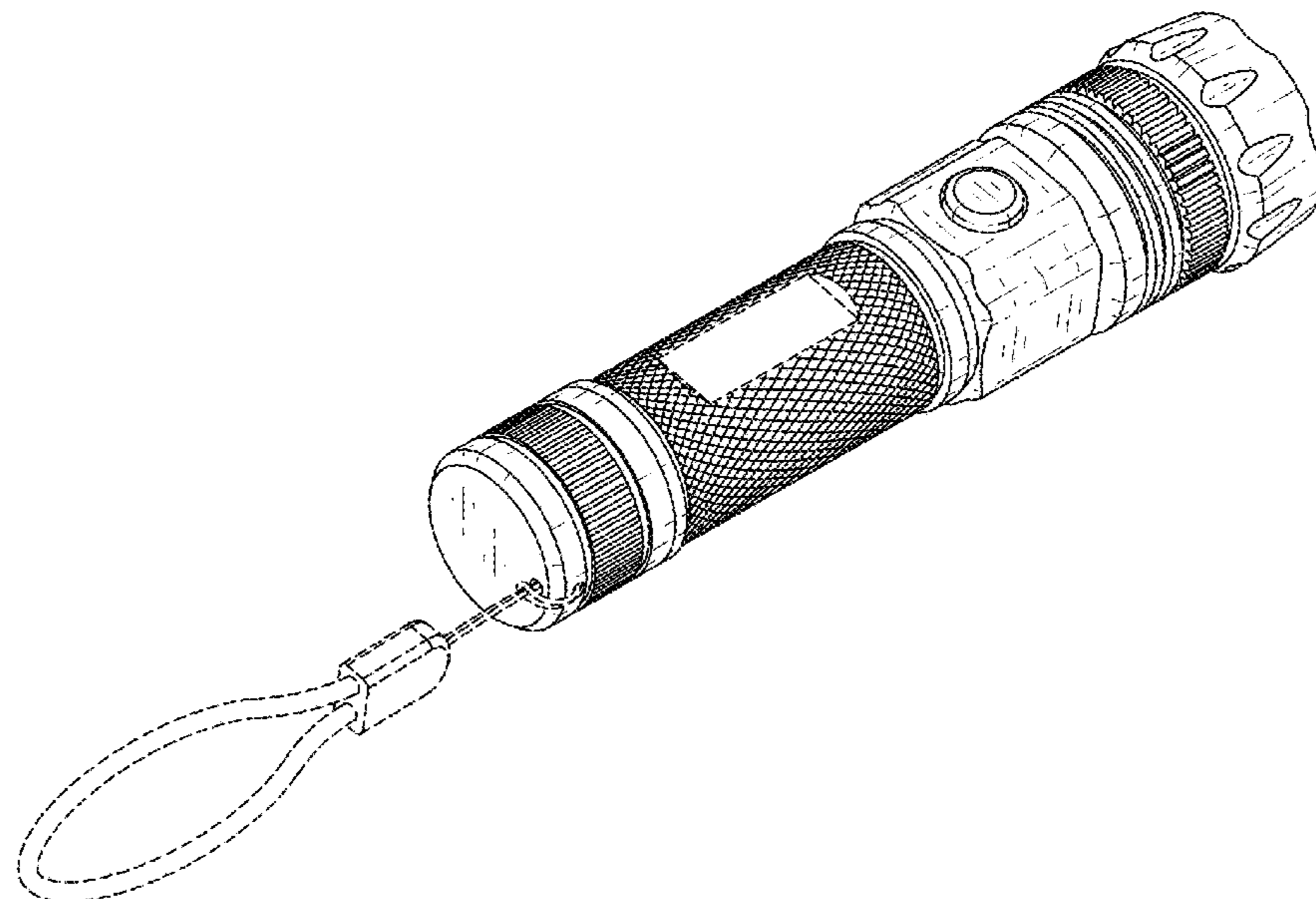
FIG. 1 is a perspective view of a flashlight showing our new design.
FIG. 2 is a front elevational view of the flashlight of FIG. 1;
FIG. 3 is a rear elevational view of the flashlight of FIG. 1;
FIG. 4 is a right side elevational view of the flashlight of FIG. 1;
FIG. 5 is a left side elevational view of the flashlight of FIG. 1;
FIG. 6 is a bottom view of the flashlight of FIG. 1; and,
FIG. 7 is a top view of the flashlight of FIG. 1.
The broken lines in the drawings depict portions of the flashlight that form no part of the claimed design.

1 Claim, 4 Drawing Sheets

(56) **References Cited**

U.S. PATENT DOCUMENTS

D452,024 S	12/2001	Sharrah	
D455,666 S	4/2002	Cappiello	
D486,936 S *	2/2004	Shiu	D26/49
D501,054 S	1/2005	Galli	
D501,055 S	1/2005	Packard	
D504,530 S *	4/2005	Shiu	D26/37
D521,166 S *	5/2006	Yamamoto	D26/37
D525,733 S *	7/2006	Shiao	D26/37
D532,138 S	11/2006	Wang	
D549,860 S	8/2007	Gustafson	
D564,116 S *	3/2008	Linardos	D26/49



(56)

References Cited

U.S. PATENT DOCUMENTS

D719,694 S	12/2014	Nawaz	
D745,987 S	12/2015	Nawaz	
D783,193 S *	4/2017	Kao	D26/49
D860,493 S *	9/2019	Qiu	D26/49
D871,638 S *	12/2019	Huang	D26/49
D879,345 S *	3/2020	Chen	D26/49

* cited by examiner

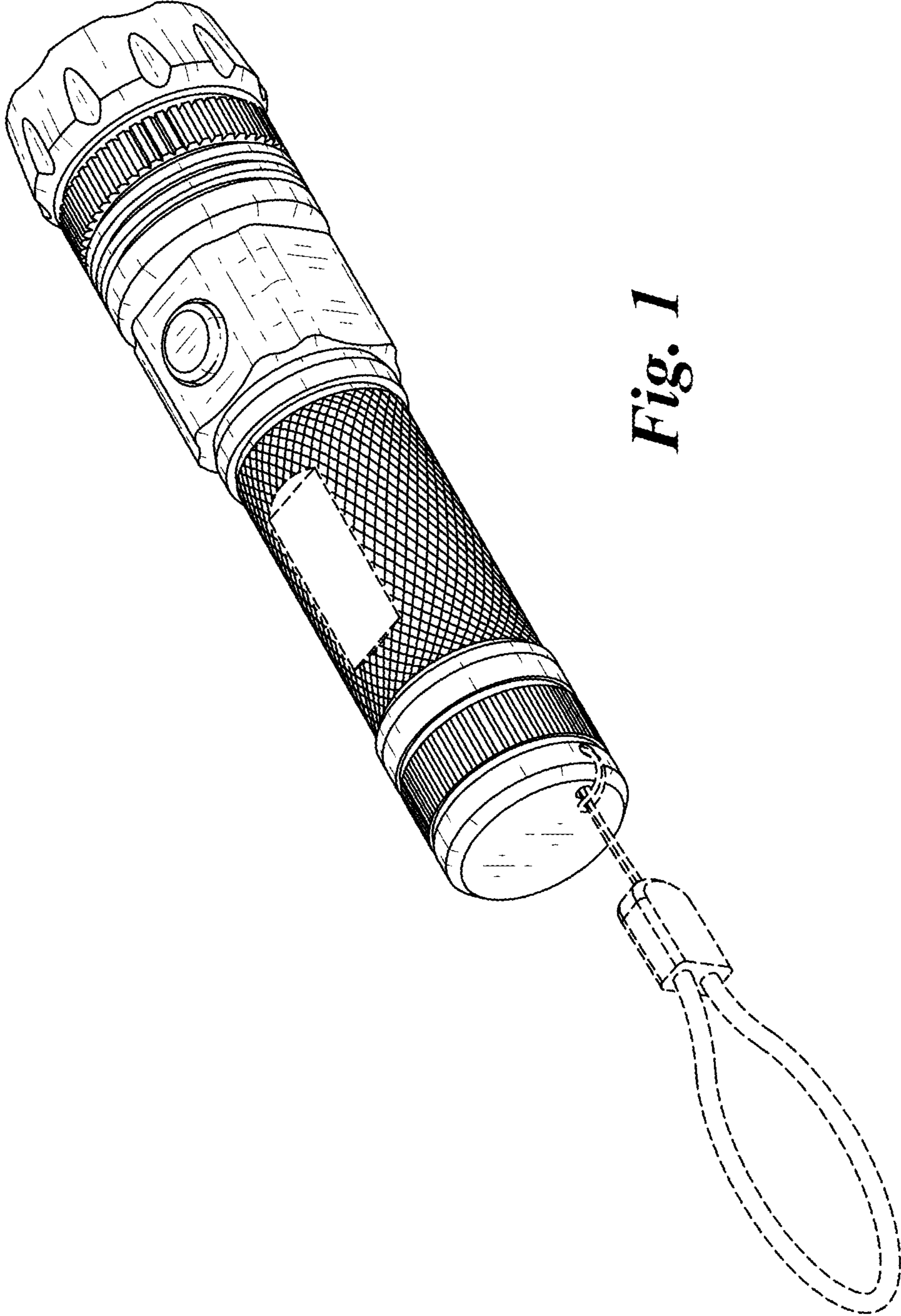


Fig. 1

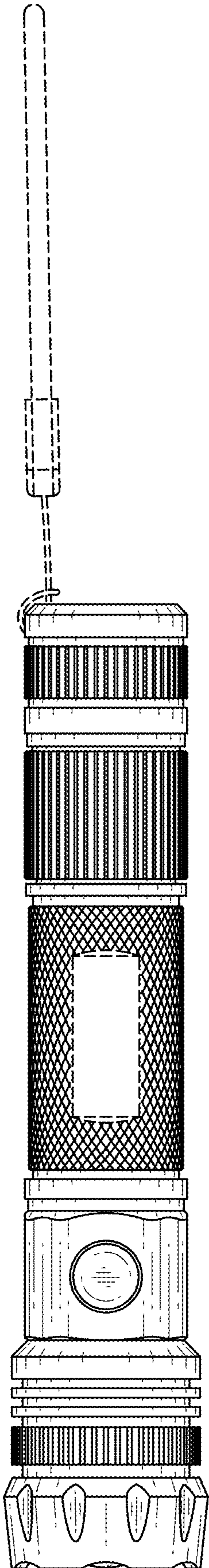


Fig. 2

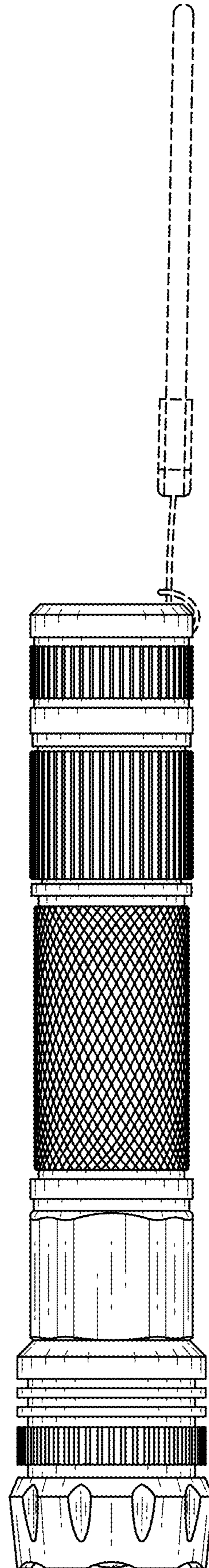


Fig. 3

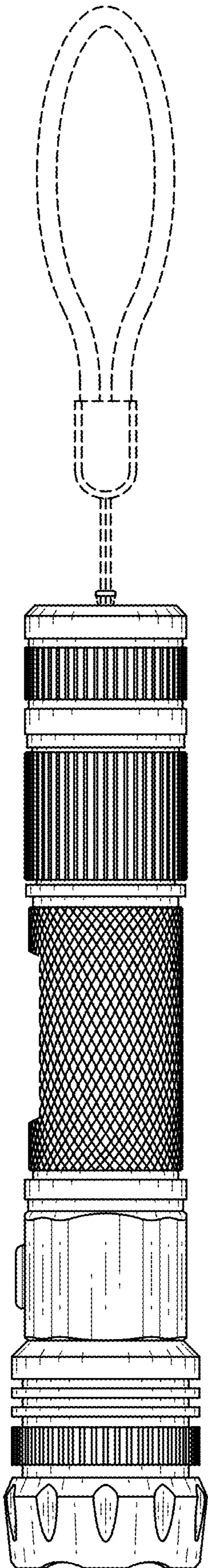


Fig. 4

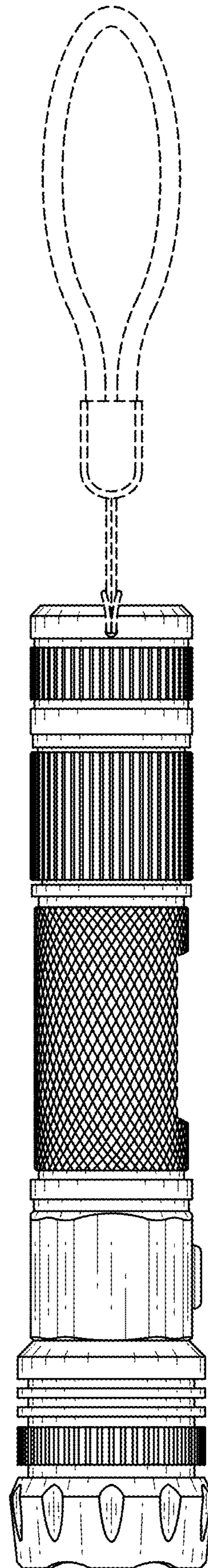


Fig. 5

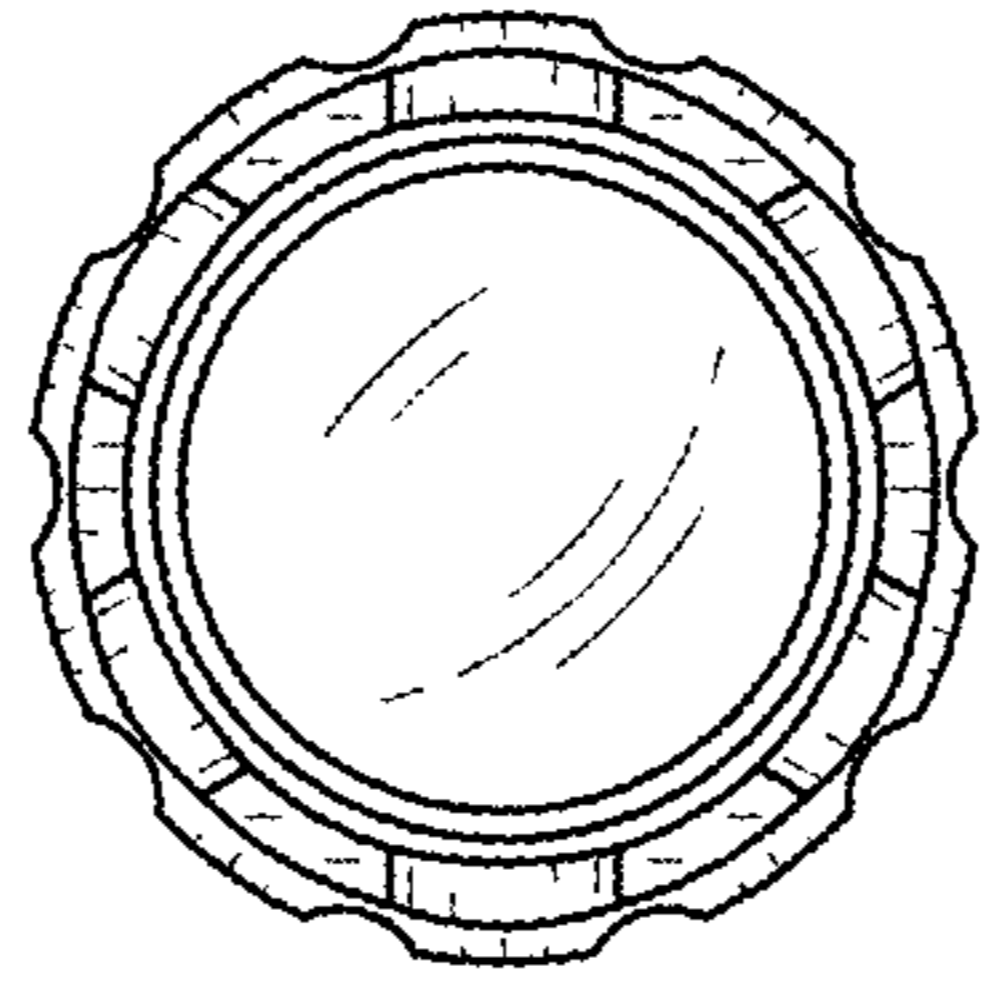


Fig. 6

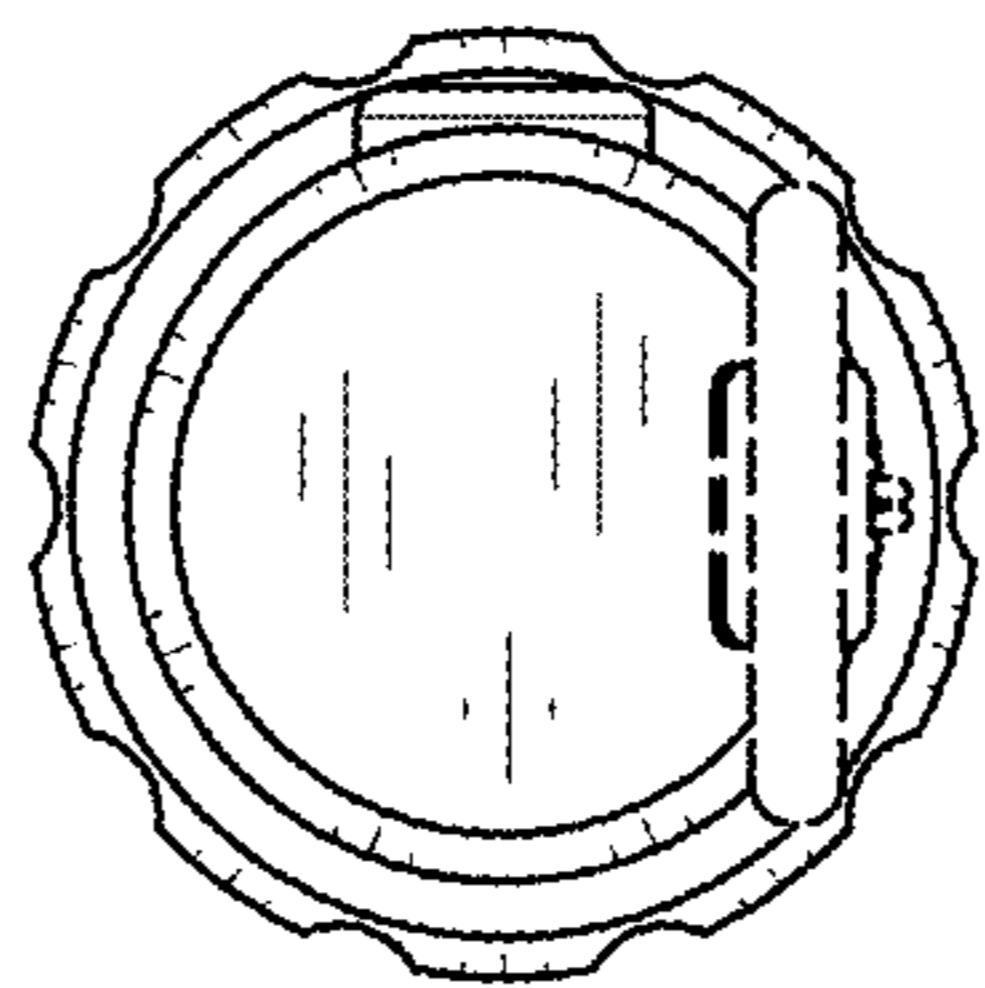


Fig. 7