



US00D900366S

(12) **United States Design Patent**  
**Bertken**

(10) **Patent No.:** **US D900,366 S**

(45) **Date of Patent:** **\*\* Oct. 27, 2020**

(54) **LANTERN**

(71) Applicant: **IDEAPOND LLC**, San Diego, CA  
(US)

(72) Inventor: **Dennis Bertken**, San Diego, CA (US)

(73) Assignee: **IDEAPOND LLC**, Las Vegas, NV  
(US)

(\*\*) Term: **15 Years**

(21) Appl. No.: **29/708,373**

(22) Filed: **Oct. 4, 2019**

(51) **LOC (12) Cl.** ..... **26-02**

(52) **U.S. Cl.**  
USPC ..... **D26/40**

(58) **Field of Classification Search**  
USPC ..... D26/37, 40-41, 46, 49-50  
CPC ..... F21L 2003/00; F21L 4/00; F21L 4/005;  
F21L 4/02; F21L 4/025; F21L 4/027;  
F21L 4/04; F21L 4/08; F21L 2005/00;  
F21L 13/00; F21L 13/04; F21L 14/02;  
F21L 17/00; F21L 19/00

See application file for complete search history.

(56) **References Cited**

**U.S. PATENT DOCUMENTS**

|               |         |           |       |                      |
|---------------|---------|-----------|-------|----------------------|
| D374,098 S *  | 9/1996  | Lo        | ..... | D26/37               |
| D374,296 S *  | 10/1996 | Lo        | ..... | D26/37               |
| D389,930 S *  | 1/1998  | Lo        | ..... | D26/37               |
| 5,860,729 A * | 1/1999  | Bamber    | ..... | F21L 4/02<br>362/184 |
| D422,105 S *  | 3/2000  | Poon      | ..... | D26/50               |
| D429,354 S *  | 8/2000  | Petterson | ..... | D26/40               |
| D429,832 S *  | 8/2000  | Poon      | ..... | D26/40               |
| D433,762 S *  | 11/2000 | Yuen      | ..... | D26/40               |
| D443,088 S *  | 5/2001  | Skidmore  | ..... | D26/40               |
| D464,451 S *  | 10/2002 | Poon      | ..... | D26/37               |
| D468,039 S *  | 12/2002 | Poon      | ..... | D26/40               |
| D474,553 S *  | 5/2003  | Poon      | ..... | D26/40               |

|                |         |        |       |                       |
|----------------|---------|--------|-------|-----------------------|
| D483,892 S *   | 12/2003 | Poon   | ..... | D26/40                |
| D509,921 S *   | 9/2005  | Lam    | ..... | D26/40                |
| D535,771 S *   | 1/2007  | Shiu   | ..... | D26/40                |
| D546,991 S *   | 7/2007  | Poon   | ..... | D26/40                |
| D553,774 S *   | 10/2007 | Leung  | ..... | D26/40                |
| D568,512 S *   | 5/2008  | Shiu   | ..... | D26/40                |
| D571,493 S *   | 6/2008  | Li     | ..... | D26/37                |
| D575,429 S *   | 8/2008  | Shiu   | ..... | D26/40                |
| D604,436 S *   | 11/2009 | Poon   | ..... | D26/40                |
| D608,920 S *   | 1/2010  | Loibl  | ..... | D26/40                |
| 8,662,699 B2 * | 3/2014  | Tarter | ..... | F21L 4/027<br>362/183 |
| D725,300 S *   | 3/2015  | Dalton | ..... | D26/40                |
| D747,523 S *   | 1/2016  | Salmon | ..... | D26/40                |

(Continued)

*Primary Examiner* — Sheryl Lane

*Assistant Examiner* — Stacey L Hopkins

(74) *Attorney, Agent, or Firm* — US IP Attorneys, P.C.;  
Timothy Marc Shropshire

(57) **CLAIM**

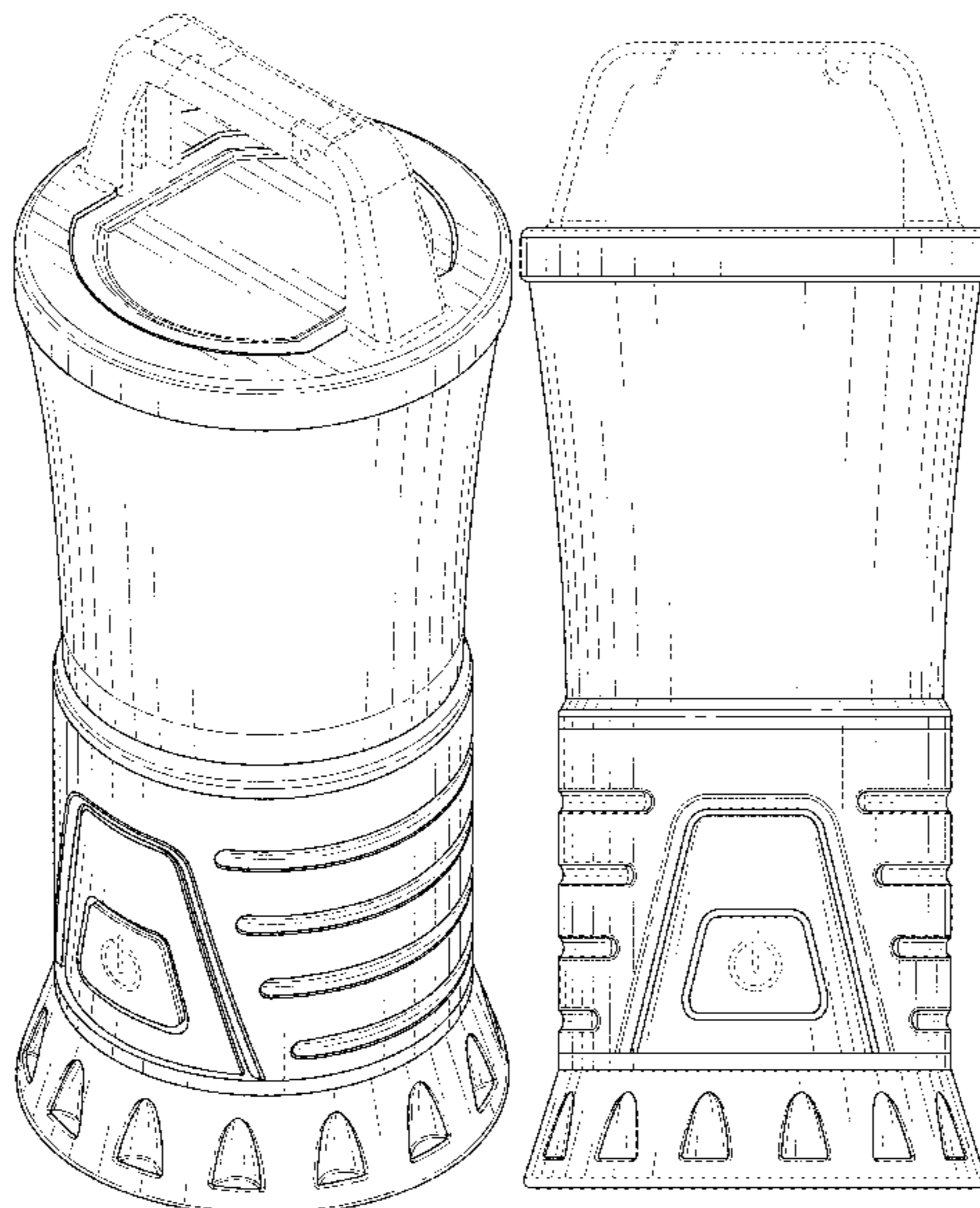
The ornamental design for a lantern, as shown and described.

**DESCRIPTION**

FIG. 1 is a front perspective view of a lantern showing my new design;  
FIG. 2 is a rear perspective view thereof;  
FIG. 3 is a front perspective view thereof;  
FIG. 4 is a rear perspective view thereof;  
FIG. 5 is a front elevational view thereof;  
FIG. 6 is a rear elevational view thereof;  
FIG. 7 is a left-side elevational view thereof;  
FIG. 8 is a right-side elevational view thereof;  
FIG. 9 is a top plan view thereof; and,  
FIG. 10 is a bottom plan view thereof.

The evenly spaced broken lines in the drawings represent portions of the lantern that form no part of the claimed design.

**1 Claim, 9 Drawing Sheets**



(56)

**References Cited**

U.S. PATENT DOCUMENTS

|                   |        |                |                      |
|-------------------|--------|----------------|----------------------|
| D748,836 S *      | 2/2016 | Zhang .....    | D26/40               |
| D794,235 S *      | 8/2017 | Green .....    | D26/40               |
| D809,689 S *      | 2/2018 | Marshall ..... | D26/41               |
| D809,690 S *      | 2/2018 | Marshall ..... | D26/41               |
| D818,620 S *      | 5/2018 | Brown .....    | D26/41               |
| D823,506 S *      | 7/2018 | Shiu .....     | D26/40               |
| D850,683 S *      | 6/2019 | Shelton .....  | D26/41               |
| 2010/0053942 A1 * | 3/2010 | Tarter .....   | F21L 4/00<br>362/182 |
| 2011/0182061 A1 * | 7/2011 | Loibl .....    | F21L 4/00<br>362/186 |

\* cited by examiner

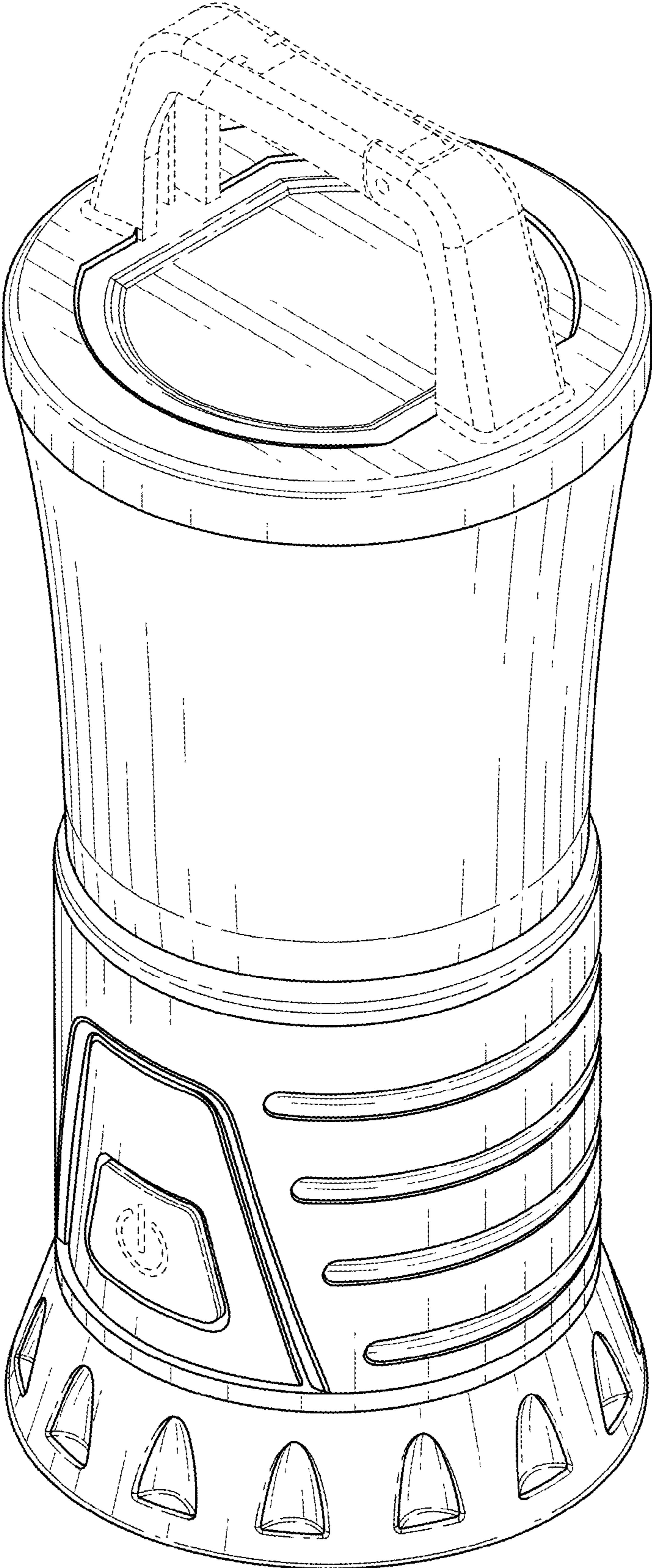


FIG. 1

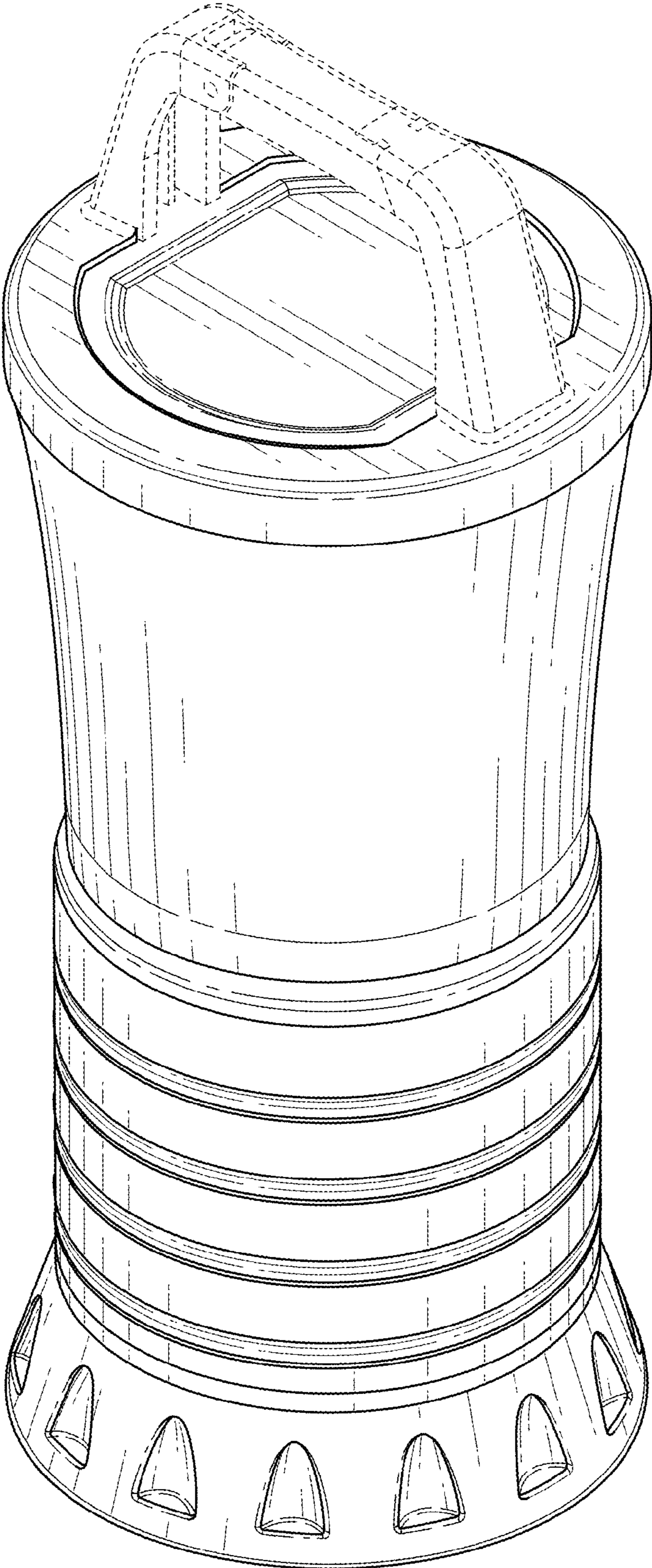


FIG. 2

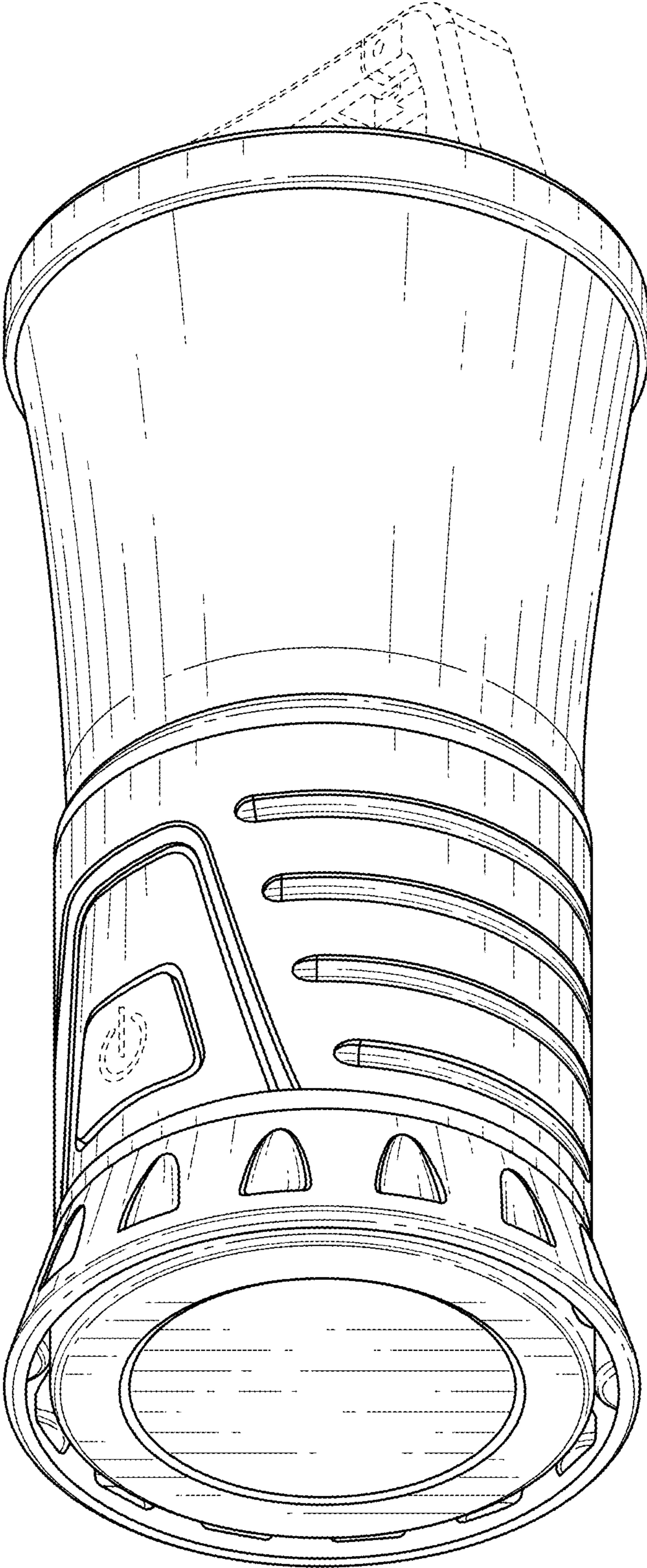


FIG. 3

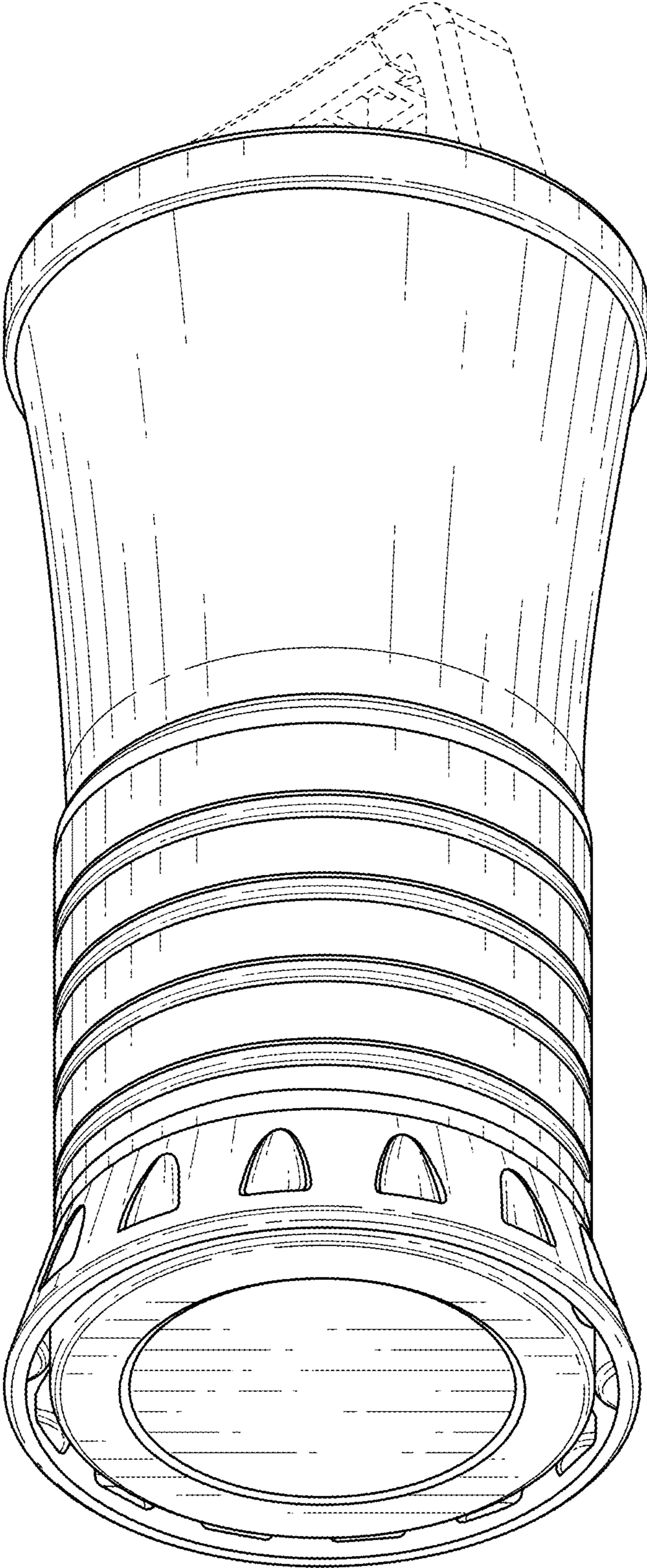


FIG. 4

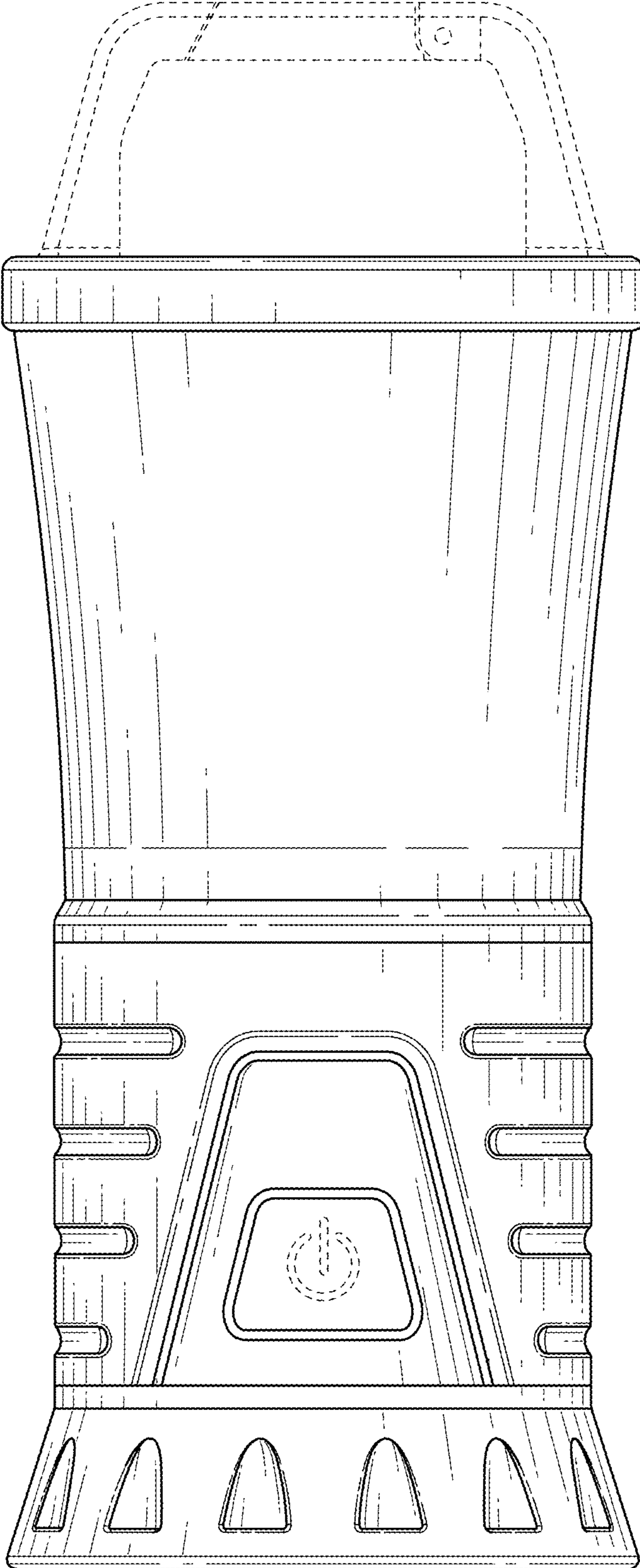


FIG. 5

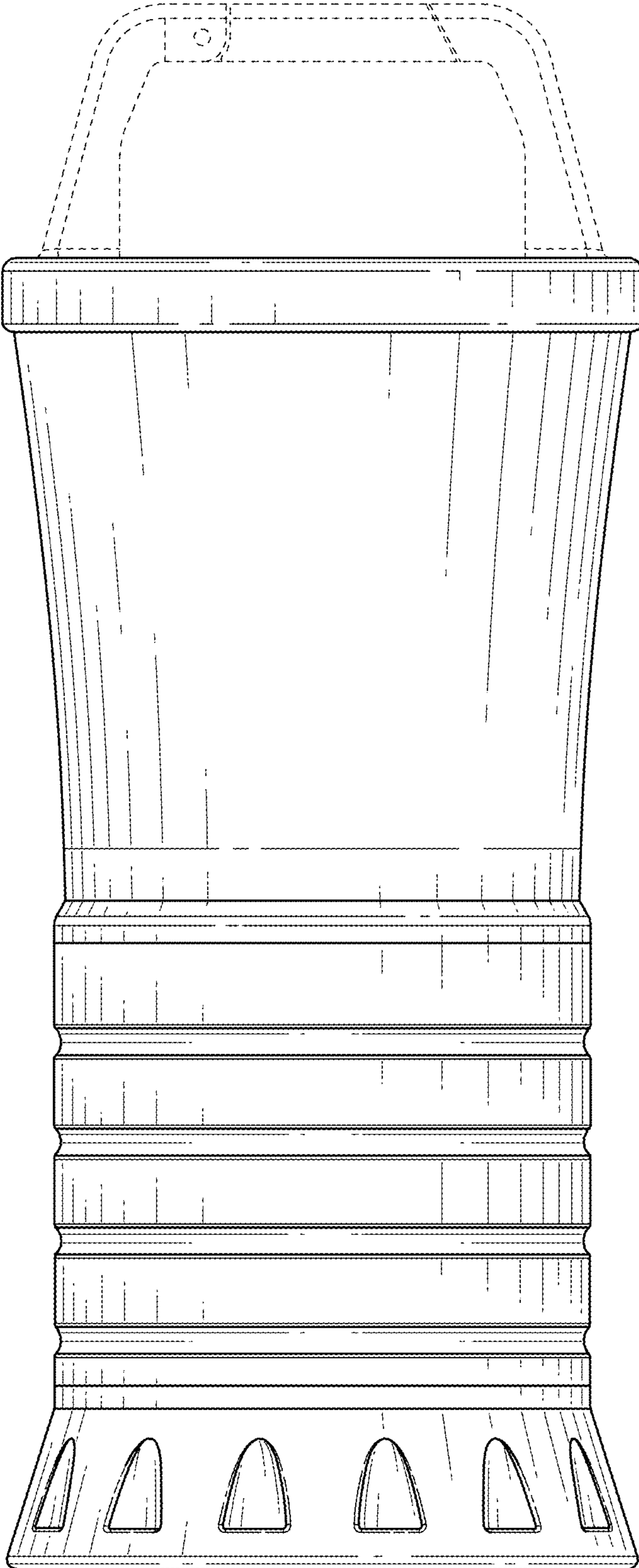


FIG. 6



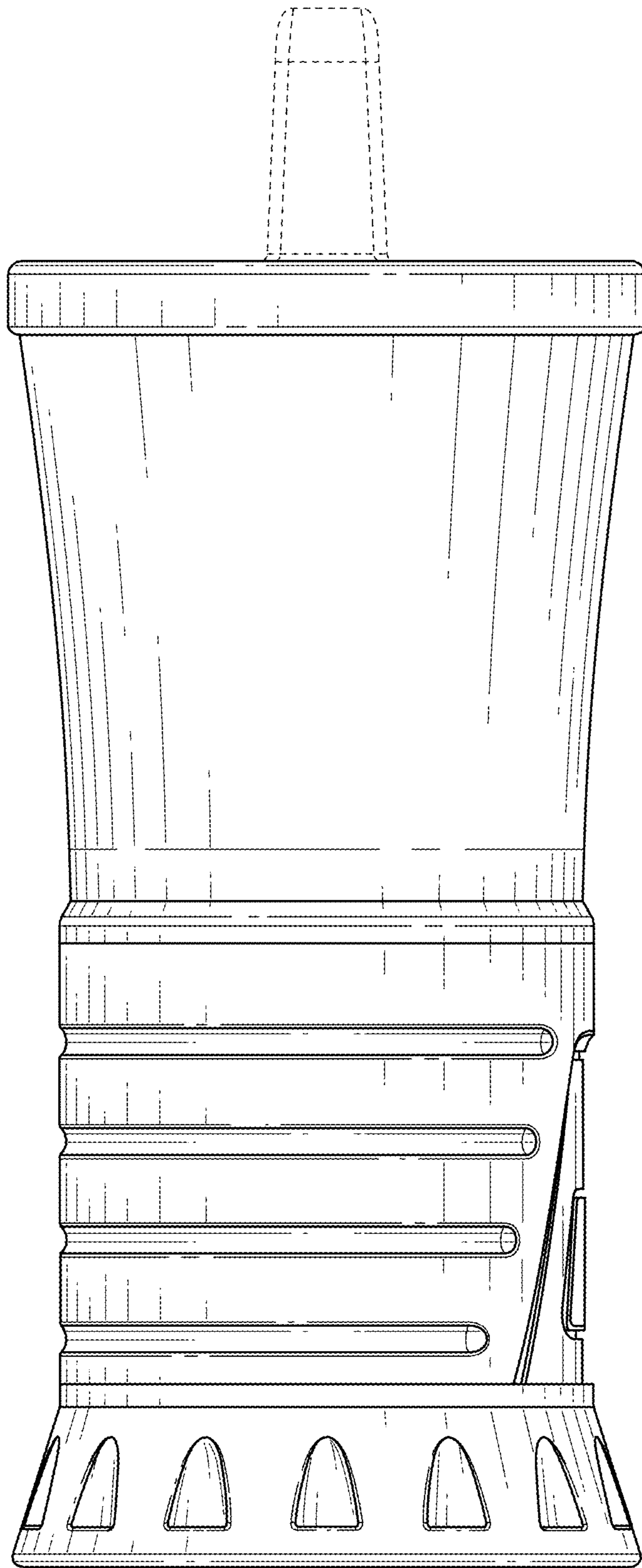


FIG. 7

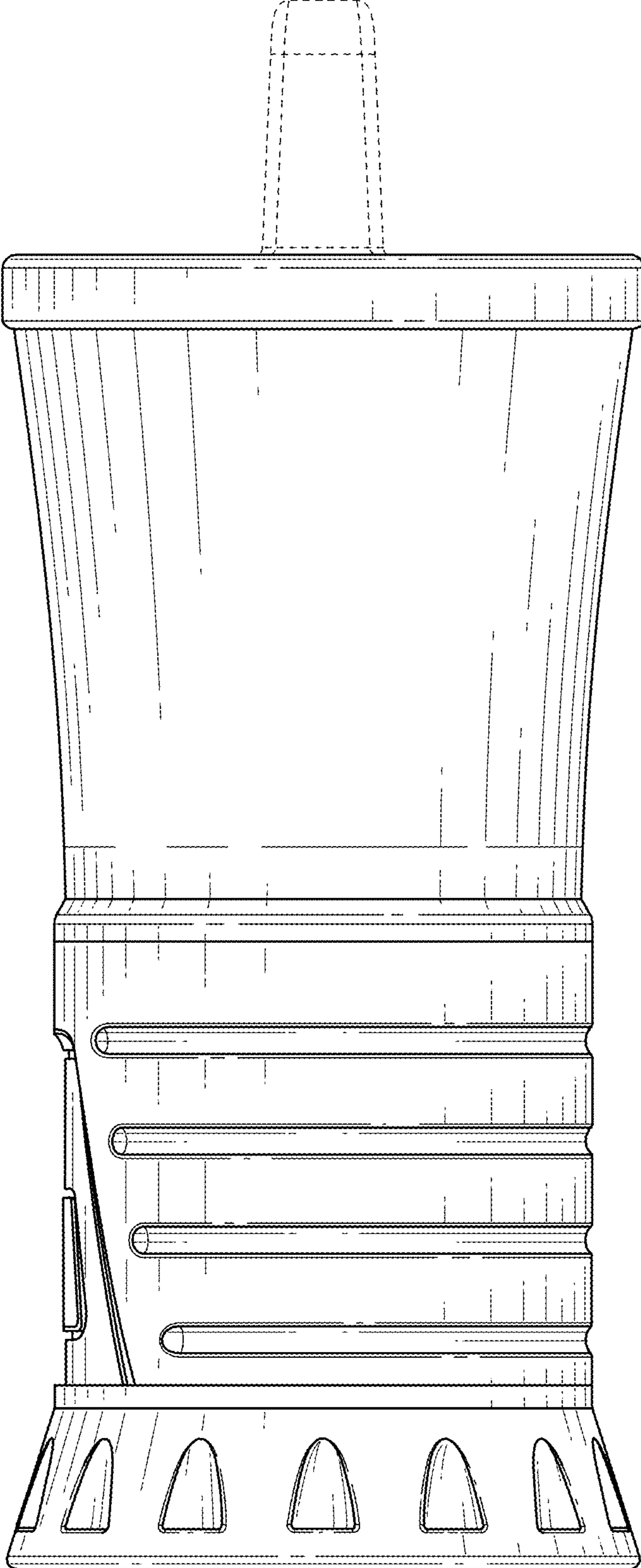


FIG. 8

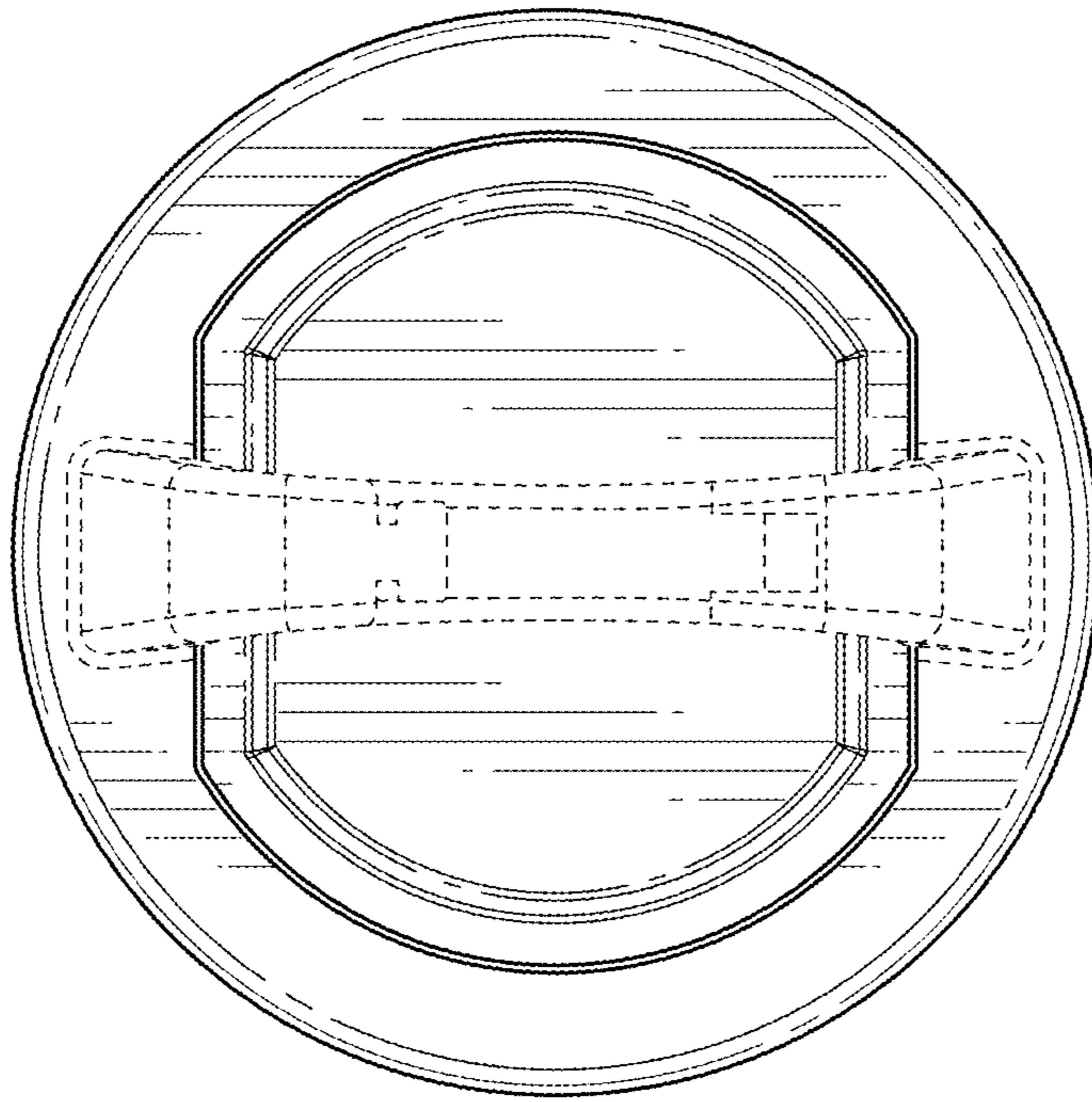


FIG. 9

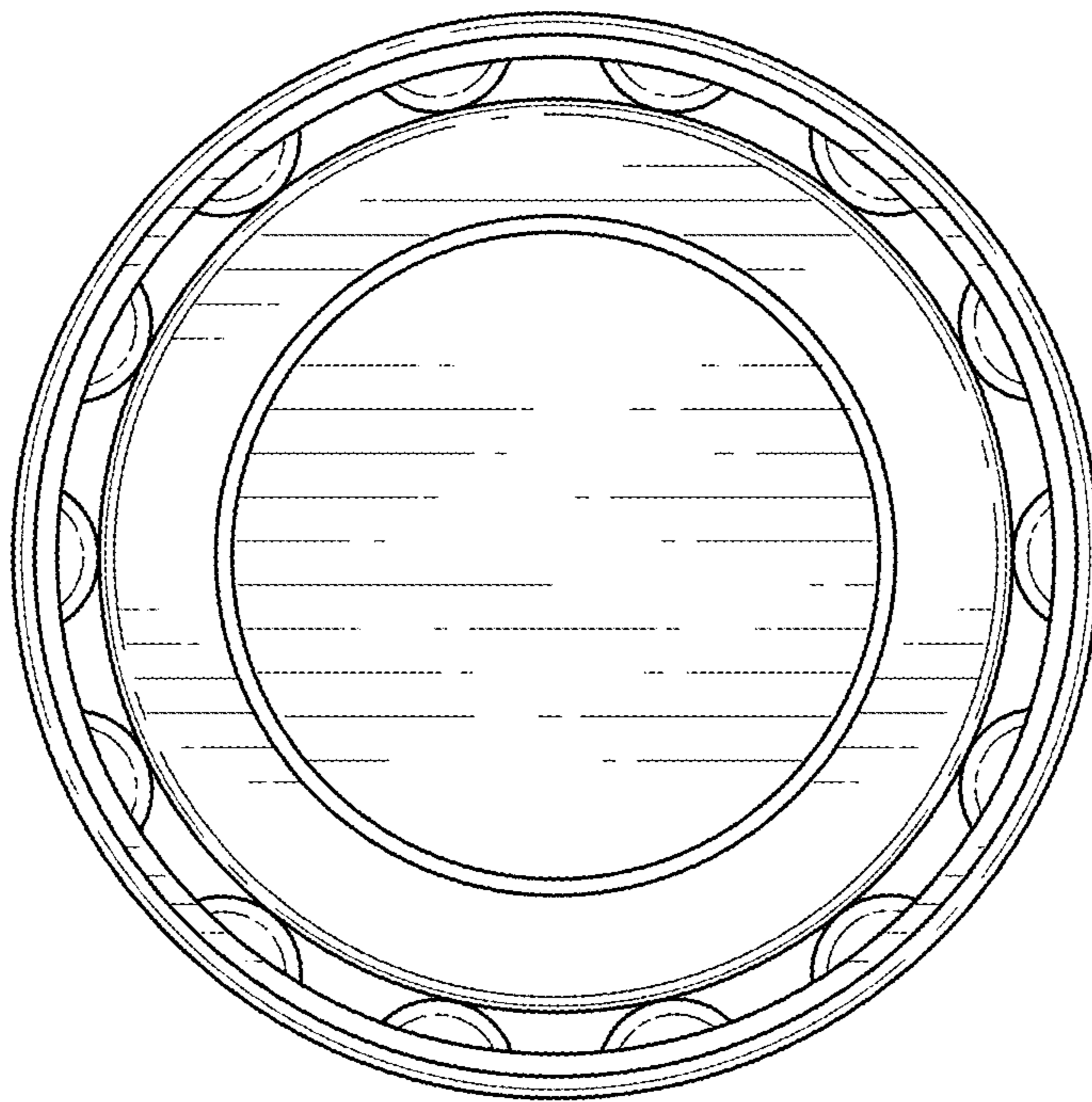


FIG. 10