



US00D900364S

(12) **United States Design Patent**
Ford

(10) **Patent No.:** **US D900,364 S**
(45) **Date of Patent:** **** Oct. 27, 2020**

- (54) **EMERGENCY LIGHT**
- (71) Applicant: **9609385 CANADA INC.**, Beaconsfield (CA)
- (72) Inventor: **Timothy D. F. Ford**, Beaconsfield (CA)
- (73) Assignee: **9609385 CANADA INC.** (CA)
- (**) Term: **15 Years**
- (21) Appl. No.: **29/663,249**
- (22) Filed: **Sep. 13, 2018**

Related U.S. Application Data

- (62) Division of application No. 29/546,167, filed on Nov. 19, 2015, now Pat. No. Des. 831,869.
- (51) **LOC (12) Cl.** **26-02**
- (52) **U.S. Cl.**
USPC **D26/37**
- (58) **Field of Classification Search**
USPC D26/37-51
CPC F21L 2003/00; F21L 4/00; F21L 4/005;
F21L 4/02; F21L 4/025; F21L 4/027;
F21L 4/04; F21L 4/08; F21L 2005/00;
F21L 7/00; F21L 11/00; F21L 13/00;
F21L 13/04; F21L 13/08; F21L 14/02;
F21L 17/00; F21L 19/00; F21L 25/00
See application file for complete search history.

(56) **References Cited**

U.S. PATENT DOCUMENTS

- D392,404 S 3/1998 Brown
- D489,839 S 5/2004 Opolka
- D544,618 S 6/2007 Coughaine
- D561,921 S * 2/2008 Aleksjew D26/37
- D565,218 S 3/2008 Chien

- D574,095 S 7/2008 Hill
- 7,429,123 B2 9/2008 Moore
- D588,291 S 3/2009 VanderWoude
- D588,735 S 3/2009 Woodard
- D607,129 S 12/2009 Levine
- D607,596 S 1/2010 Copeland
- D617,925 S * 6/2010 Coughaine D26/37
- D645,191 S 9/2011 Krause
- 8,403,515 B2 3/2013 Eichelberger
- D699,875 S 2/2014 Christianson
- D704,367 S 5/2014 Kingston
- D704,874 S 5/2014 Kelleghan
- D738,022 S * 9/2015 Shen D26/50
- D740,474 S * 10/2015 Pineau D26/37
- D743,073 S * 11/2015 Schmidt D26/37
- D757,964 S * 5/2016 Eagleman D26/28
- D759,867 S * 6/2016 Grandadam D26/37
- D765,294 S * 8/2016 Li D26/37
- D804,070 S 11/2017 Mishan

(Continued)

Primary Examiner — Lakiya G Rogers

Assistant Examiner — Carissa C Fitts

(74) *Attorney, Agent, or Firm* — Lavery, De Billy, LLP;
Hugh Mansfield

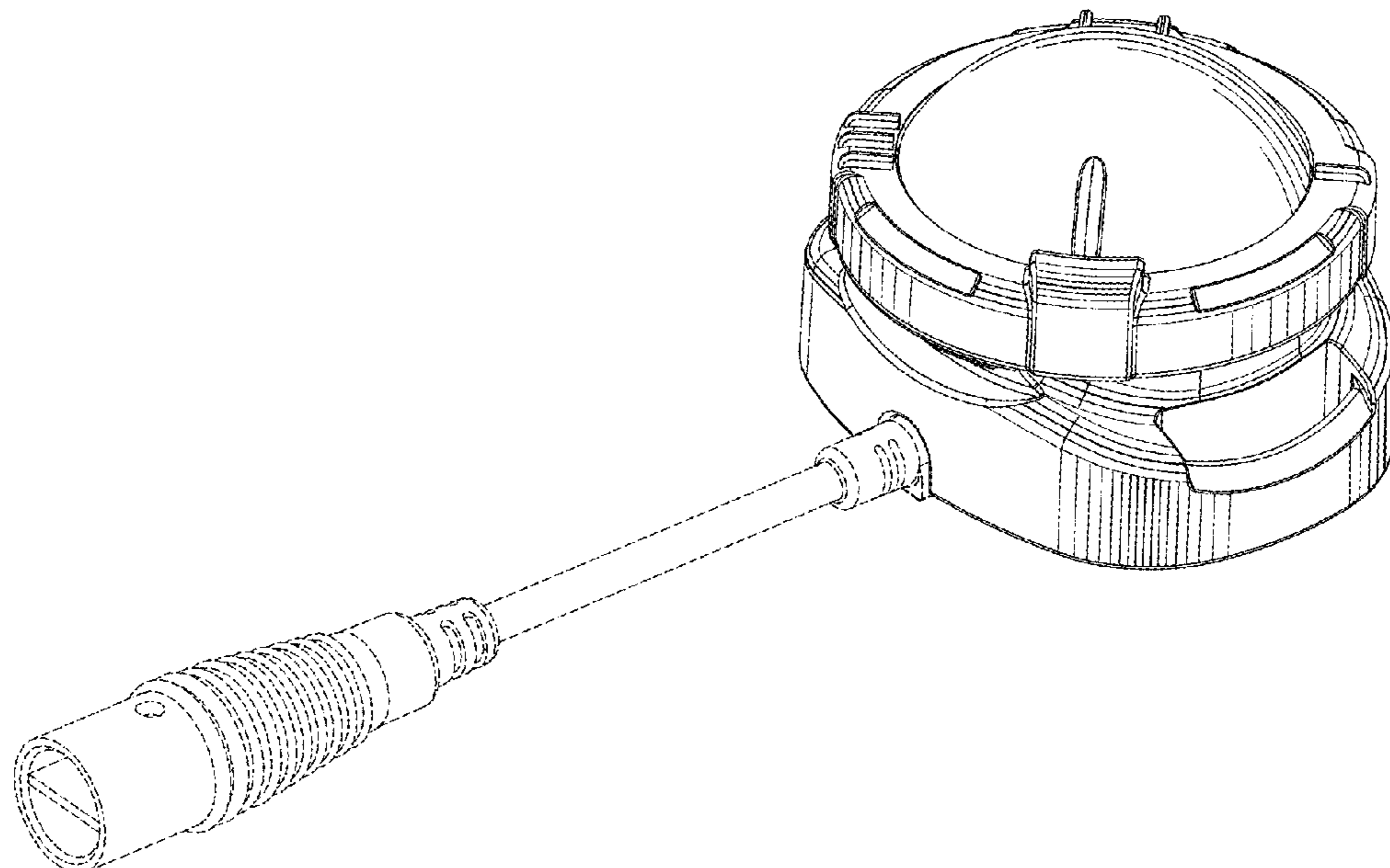
(57) **CLAIM**

The ornamental design for an emergency light, as shown and described.

DESCRIPTION

FIG. 1 is a perspective view of the emergency light;
FIG. 2 is a right side view of the emergency light of FIG. 1;
FIG. 3 is a left side view of the emergency light of FIG. 1;
FIG. 4 is a front view of the emergency light of FIG. 1;
FIG. 5 is a rear view of the emergency light of FIG. 1;
FIG. 6 is a top plan view of the emergency light of FIG. 1;
and,
FIG. 7 is a bottom view of the emergency light of FIG. 1.
The broken lines do not form part of the claimed design.

1 Claim, 6 Drawing Sheets



(56)

References Cited

U.S. PATENT DOCUMENTS

D828,600 S *	9/2018	Petzl	D26/40
D833,047 S *	11/2018	Giambanco	D26/39
D840,070 S *	2/2019	Cramer	D26/37
D846,780 S *	4/2019	Reiser	D26/37
D850,682 S *	6/2019	DeBrunner	D26/40

* cited by examiner

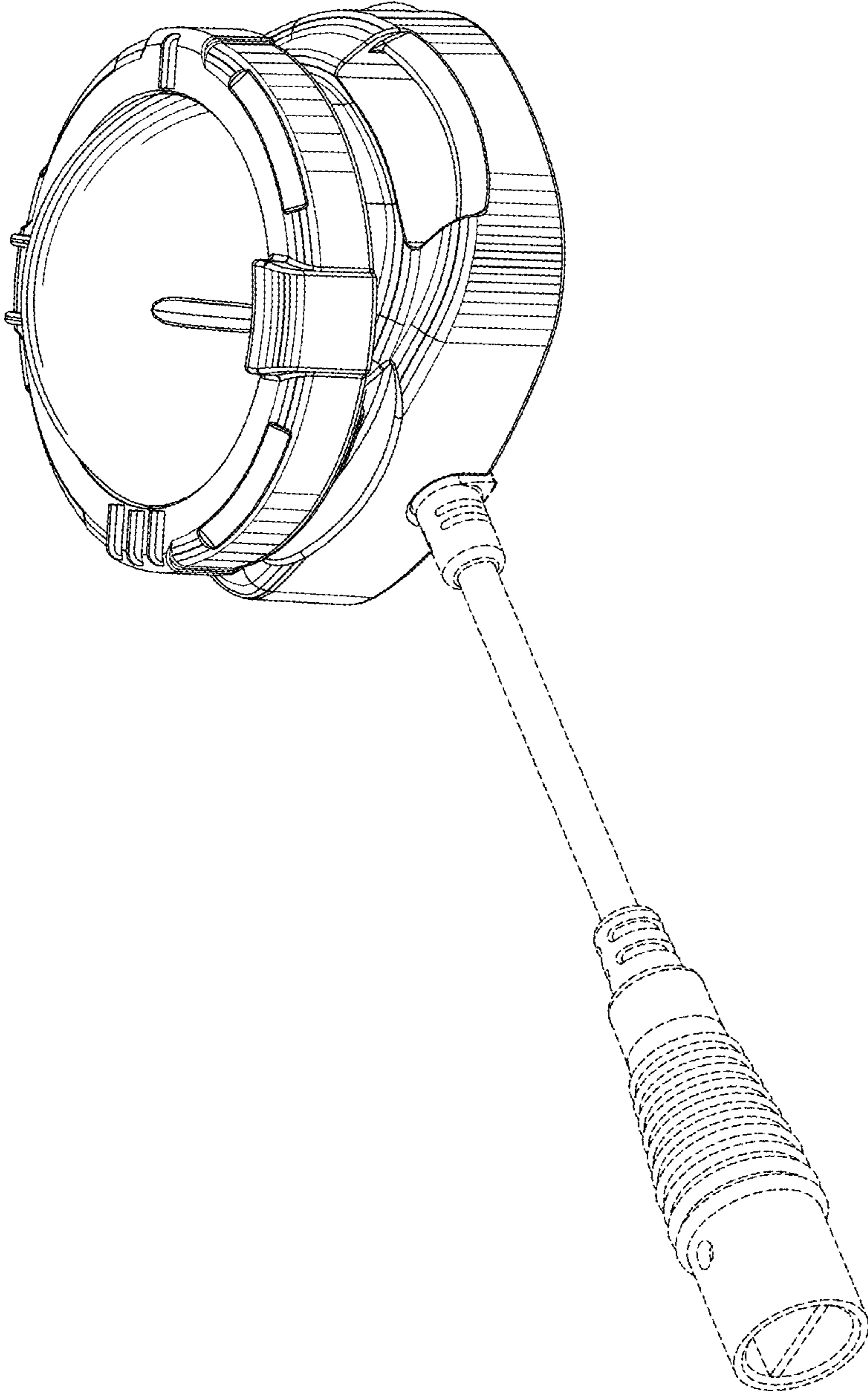


FIG. 1

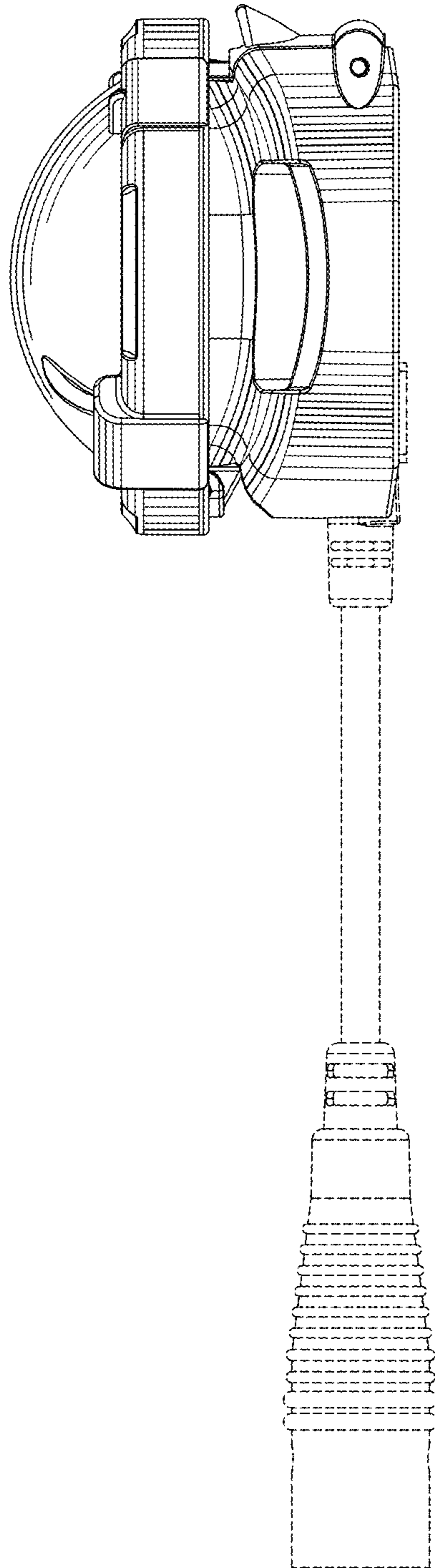


FIG. 2

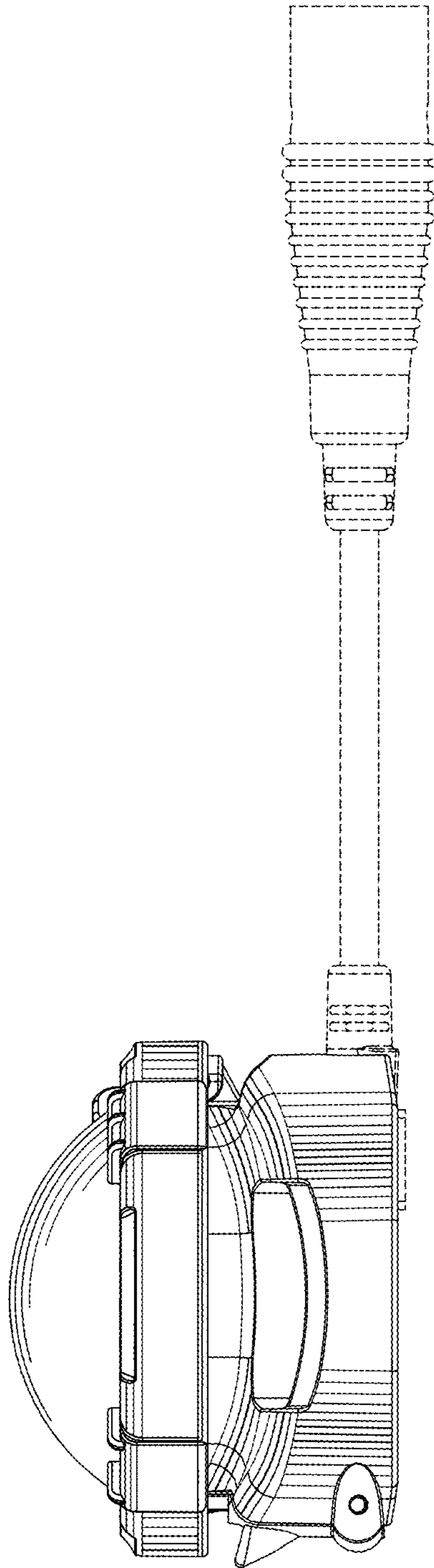


FIG. 3

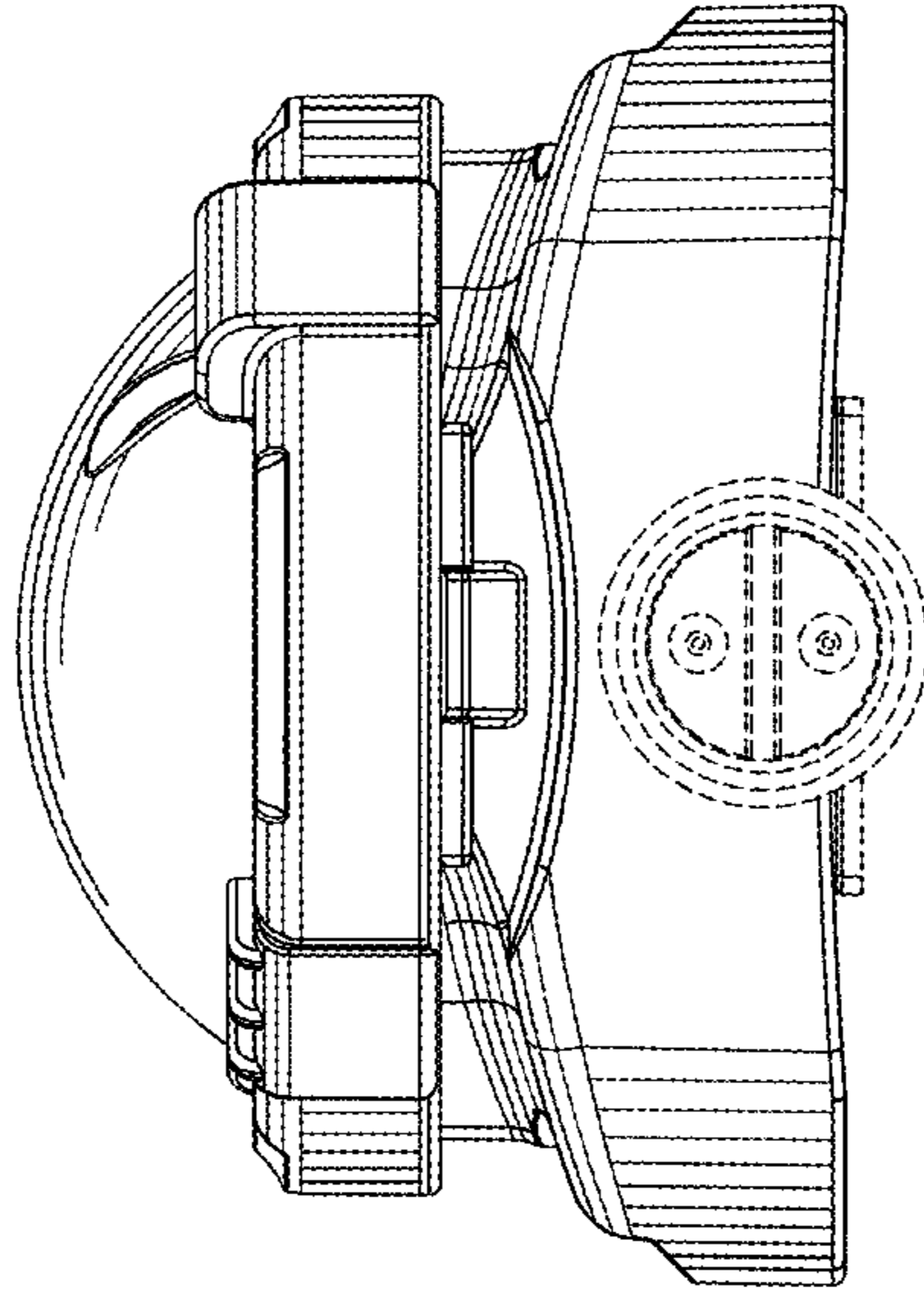


FIG. 5

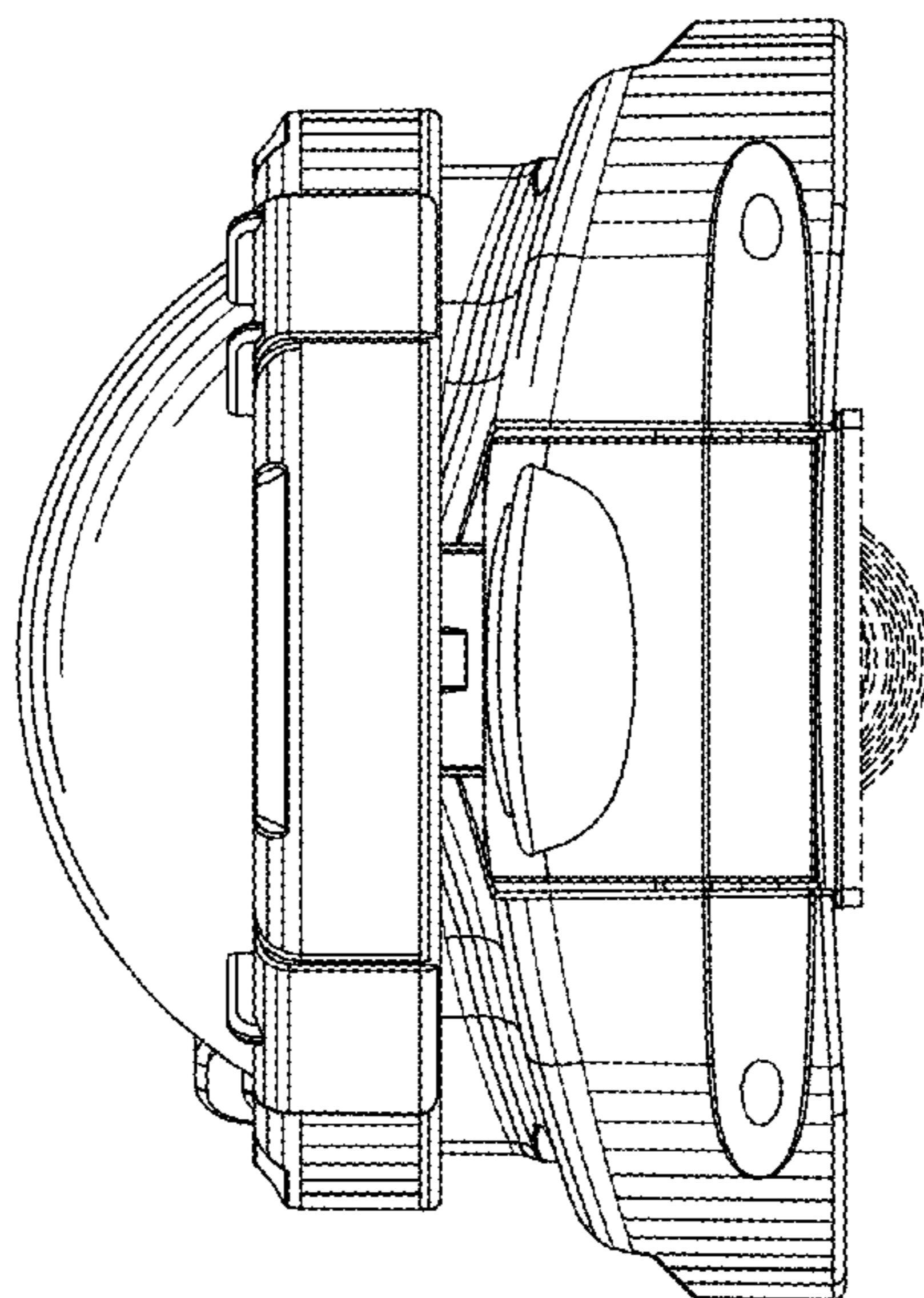


FIG. 4

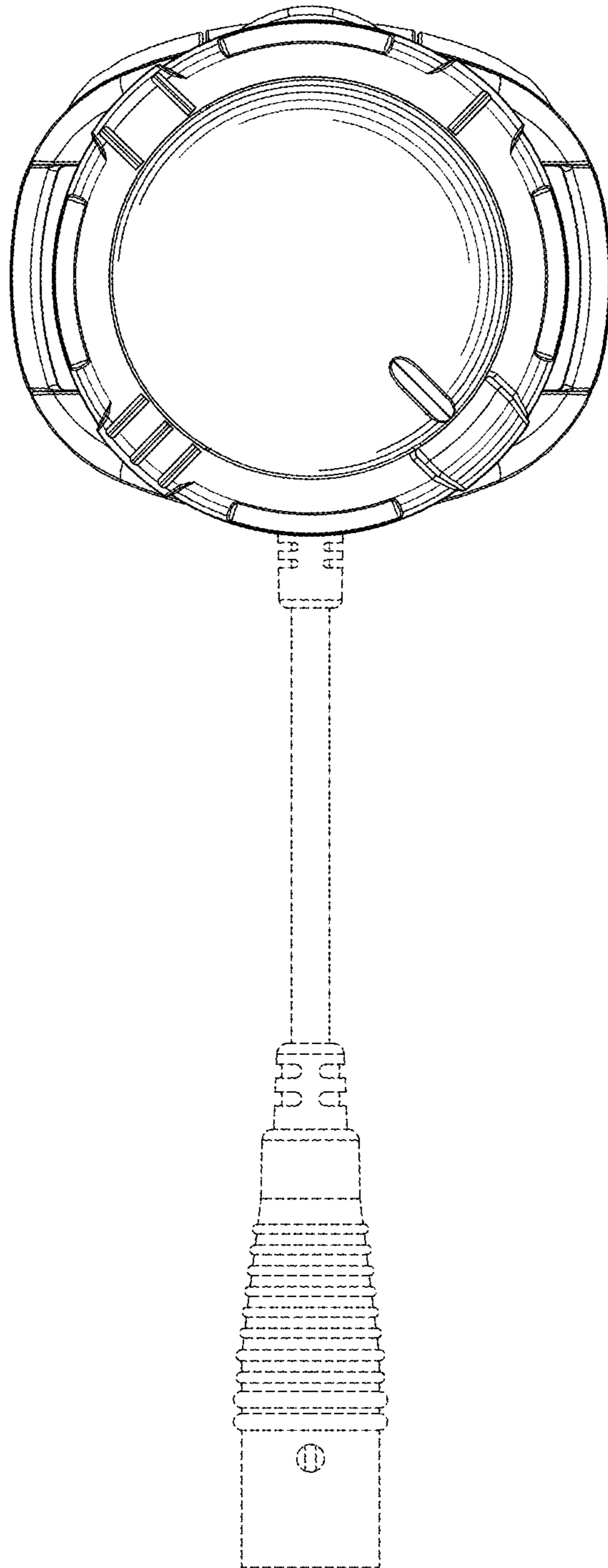


FIG. 5

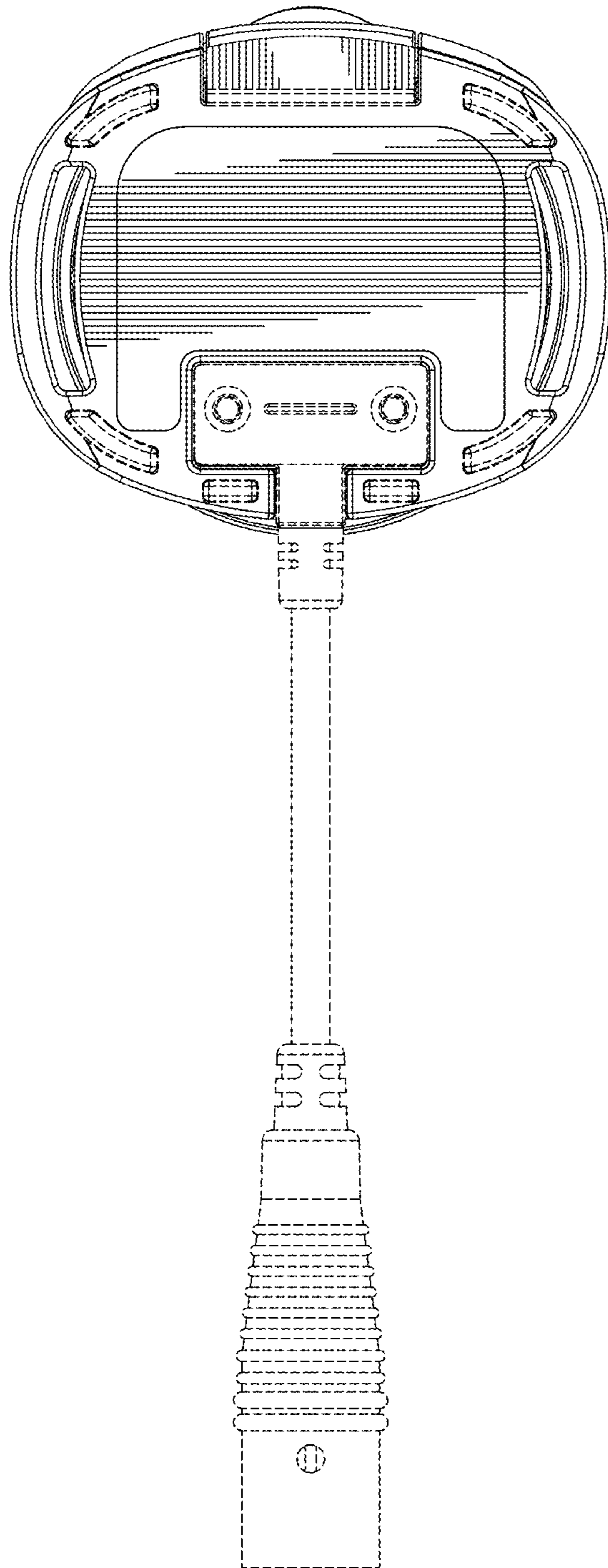


FIG. 7