



US00D900363S

(12) **United States Design Patent** (10) **Patent No.:** **US D900,363 S**  
**Liu** (45) **Date of Patent:** **\*\* Oct. 27, 2020**

(54) **GRILLE LED LIGHTS**  
(71) Applicant: **Dangxun Liu**, Bangbu (CN)  
(72) Inventor: **Dangxun Liu**, Bangbu (CN)  
(\*\*) Term: **15 Years**  
(21) Appl. No.: **29/739,697**  
(22) Filed: **Jun. 29, 2020**  
(51) **LOC (12) Cl.** ..... **26-06**  
(52) **U.S. Cl.**  
USPC ..... **D26/28**  
(58) **Field of Classification Search**  
USPC ..... D6/28-36, 139  
CPC ..... F21S 48/00; F21S 48/10; F21S 48/115;  
F21S 48/225; F21S 48/1233; F21S  
48/1266; F21S 48/1388; F21S 48/2268;  
F21V 21/04; F21V 29/004; B60Q 9/13;  
B60Q 9/135; B60Q 9/1375  
See application file for complete search history.

(56) **References Cited**  
U.S. PATENT DOCUMENTS  
D465,861 S \* 11/2002 Huang ..... D26/139  
D471,657 S \* 3/2003 Huang ..... D26/139  
D511,220 S \* 11/2005 Lin ..... D26/139

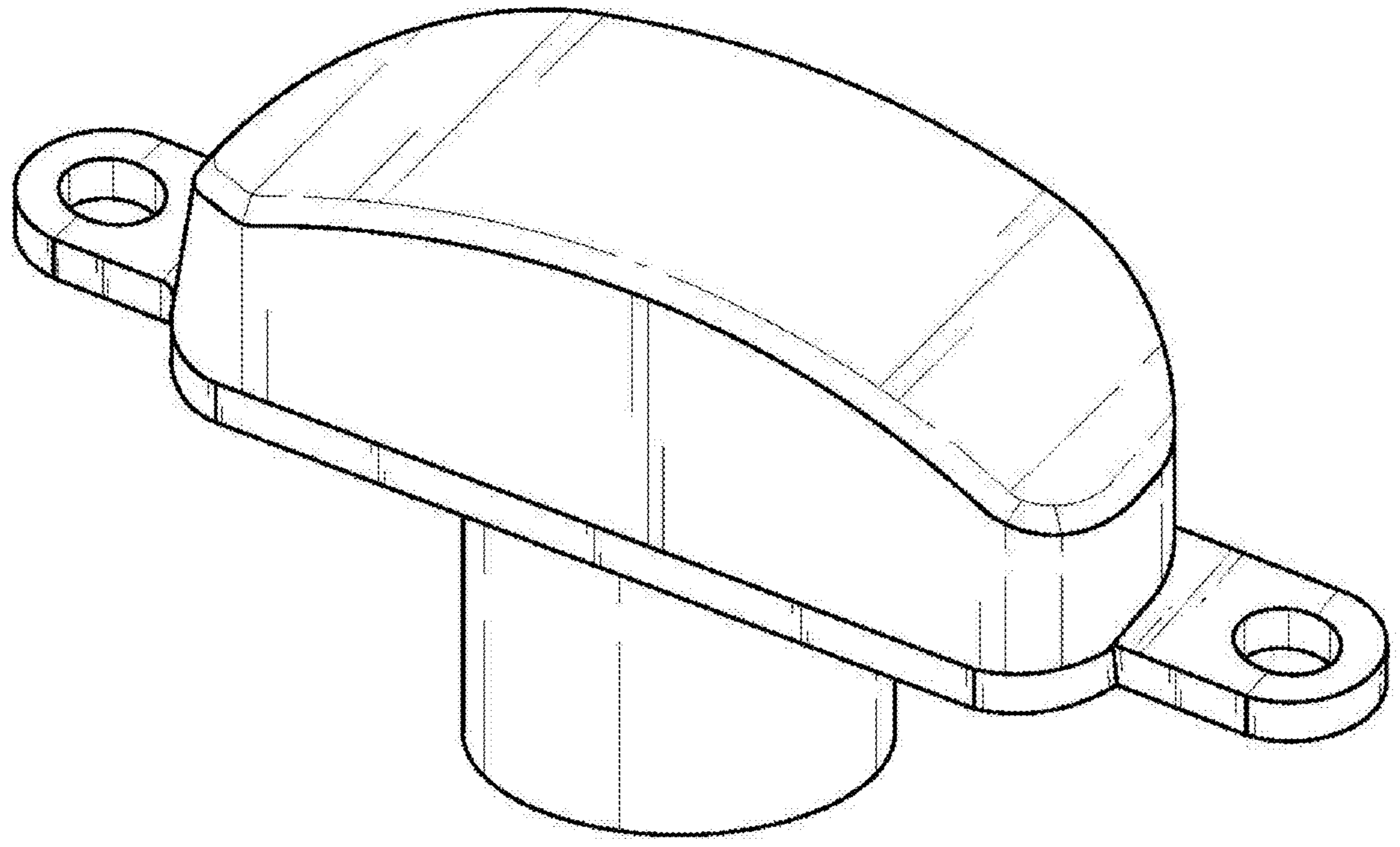
D512,790 S \* 12/2005 Handsaker ..... D26/28  
D549,367 S \* 8/2007 Hovind ..... D26/28  
D583,490 S \* 12/2008 Rogers ..... D26/28  
D642,597 S 8/2011 Krogh et al.  
D646,305 S 10/2011 Krogh et al.  
D745,720 S \* 12/2015 Chang ..... D26/28  
D787,739 S 5/2017 Gittin  
D842,534 S 3/2019 Gittin, Jr.

\* cited by examiner  
*Primary Examiner* — Marcus A Jackson  
(74) *Attorney, Agent, or Firm* — KA Filing LLC; Wayne  
V. Harper; Cynthia Ward Flanigan

(57) **CLAIM**  
I claim the ornamental design for a grille LED lights, as  
shown and described.

**DESCRIPTION**  
FIG. 1 is a Perspective view of a grille LED lights showing  
my new design;  
FIG. 2 is a Right-side view thereof;  
FIG. 3 is a Left-side view thereof;  
FIG. 4 is a Front view thereof;  
FIG. 5 is a Back view thereof;  
FIG. 6 is a Top view thereof; and,  
FIG. 7 is a Bottom view thereof.  
The broken lines are for the purpose of illustrating portions  
of the article that form no part of the claim.

**1 Claim, 6 Drawing Sheets**



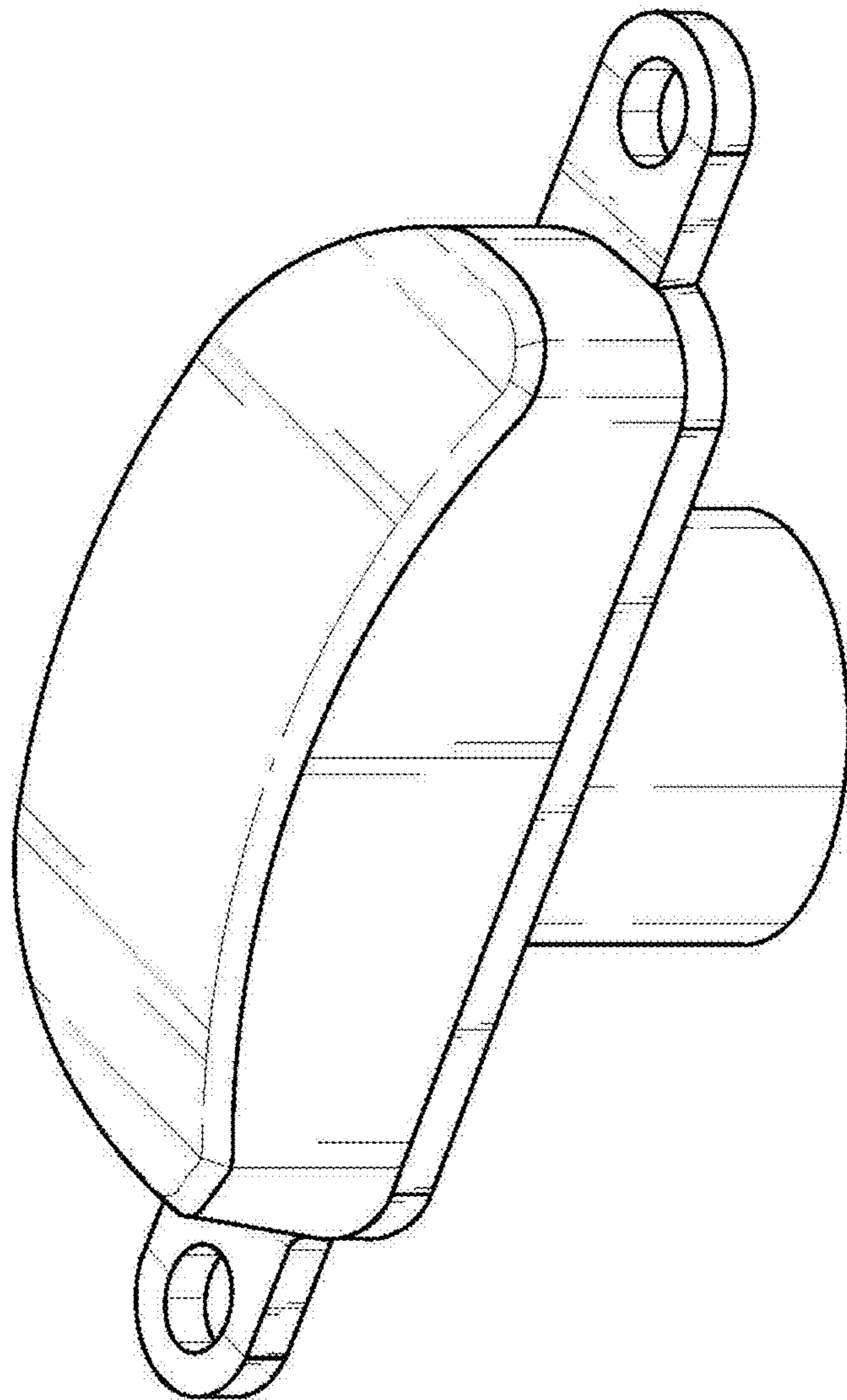


FIG. 1

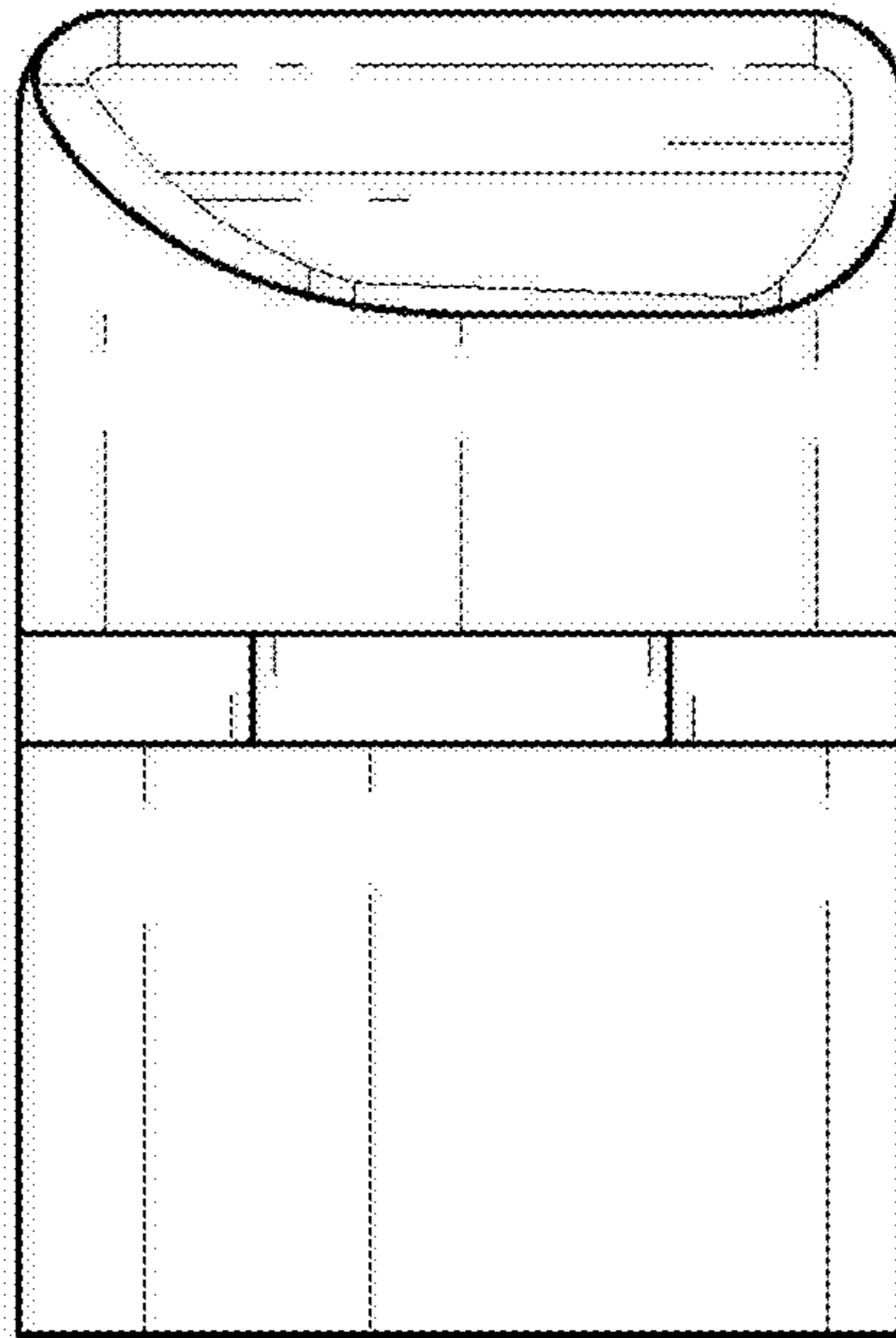


FIG. 2

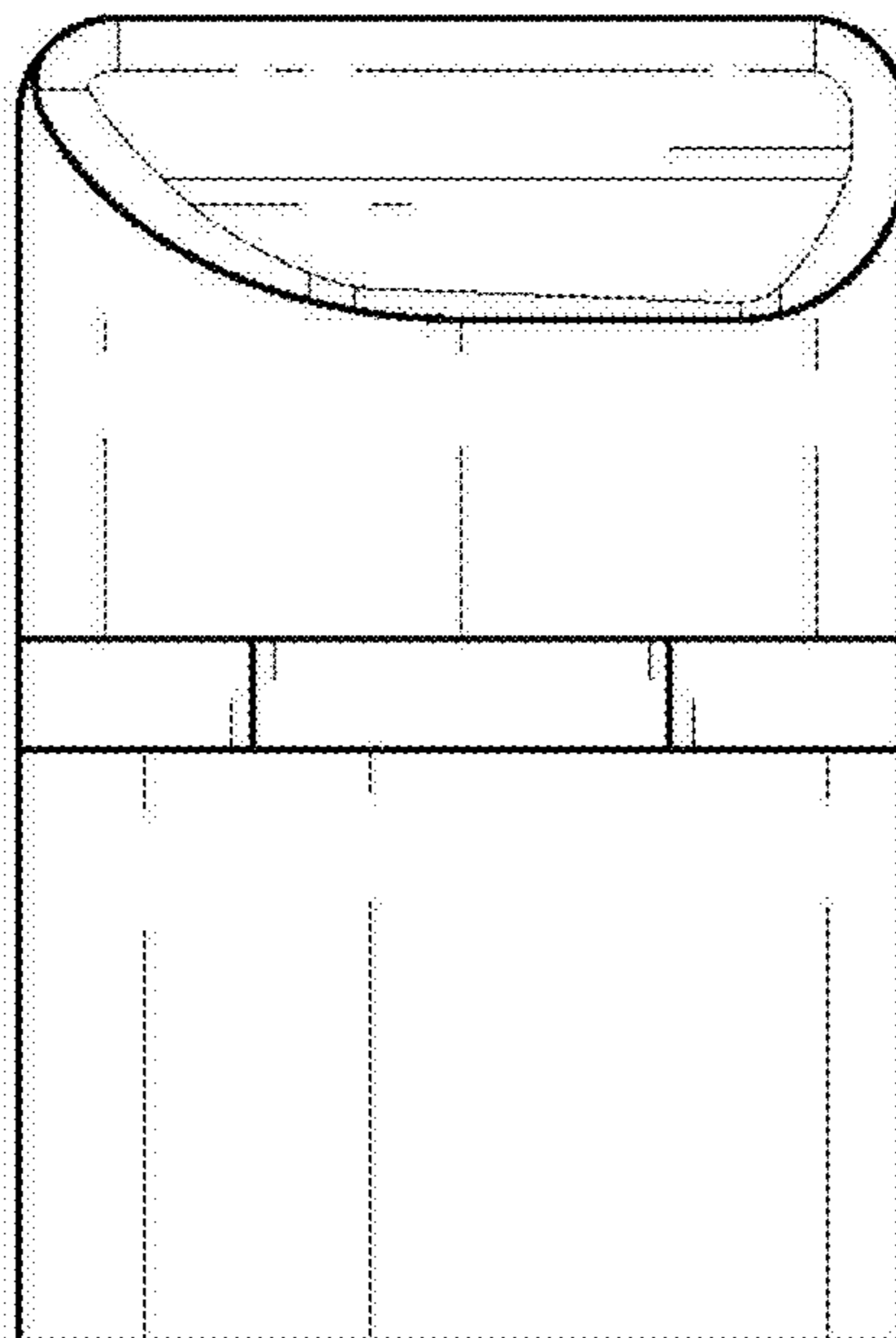


FIG. 3

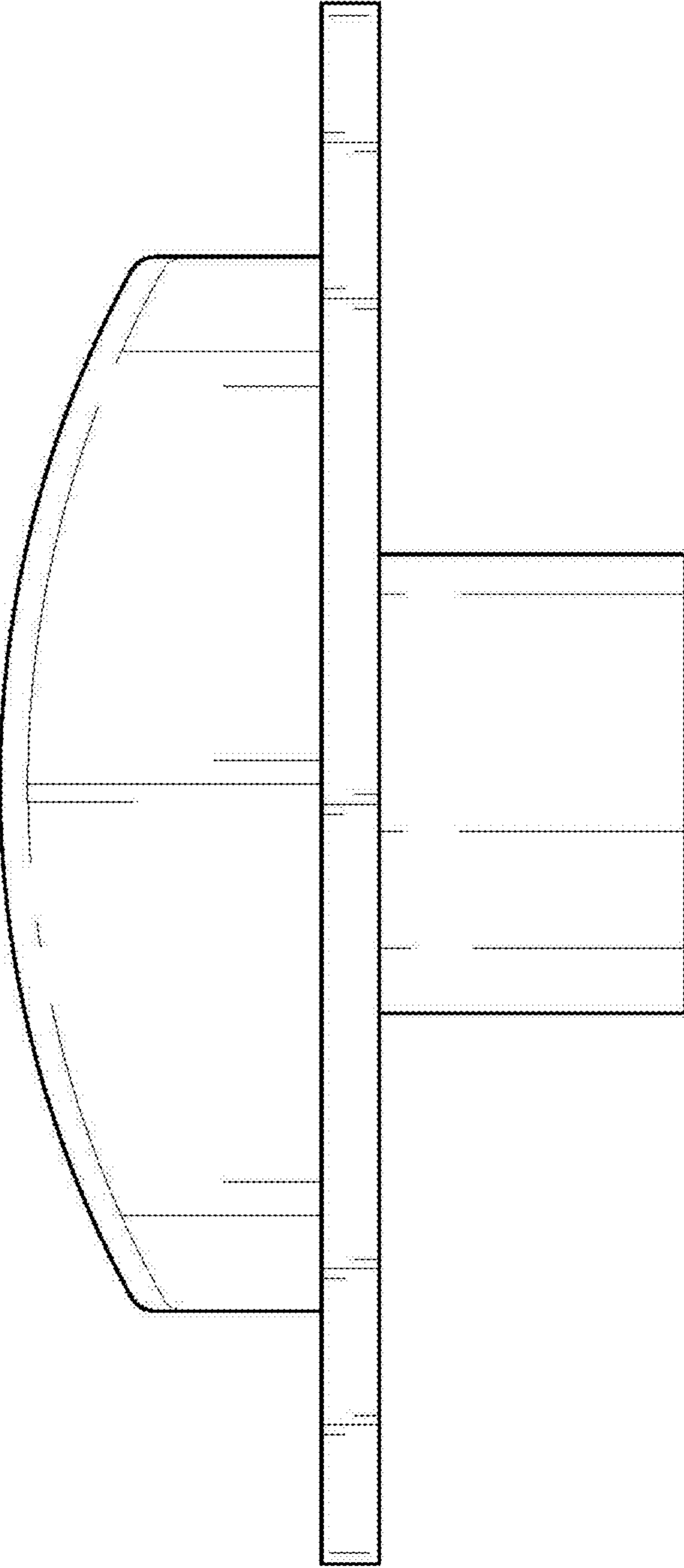


FIG. 4

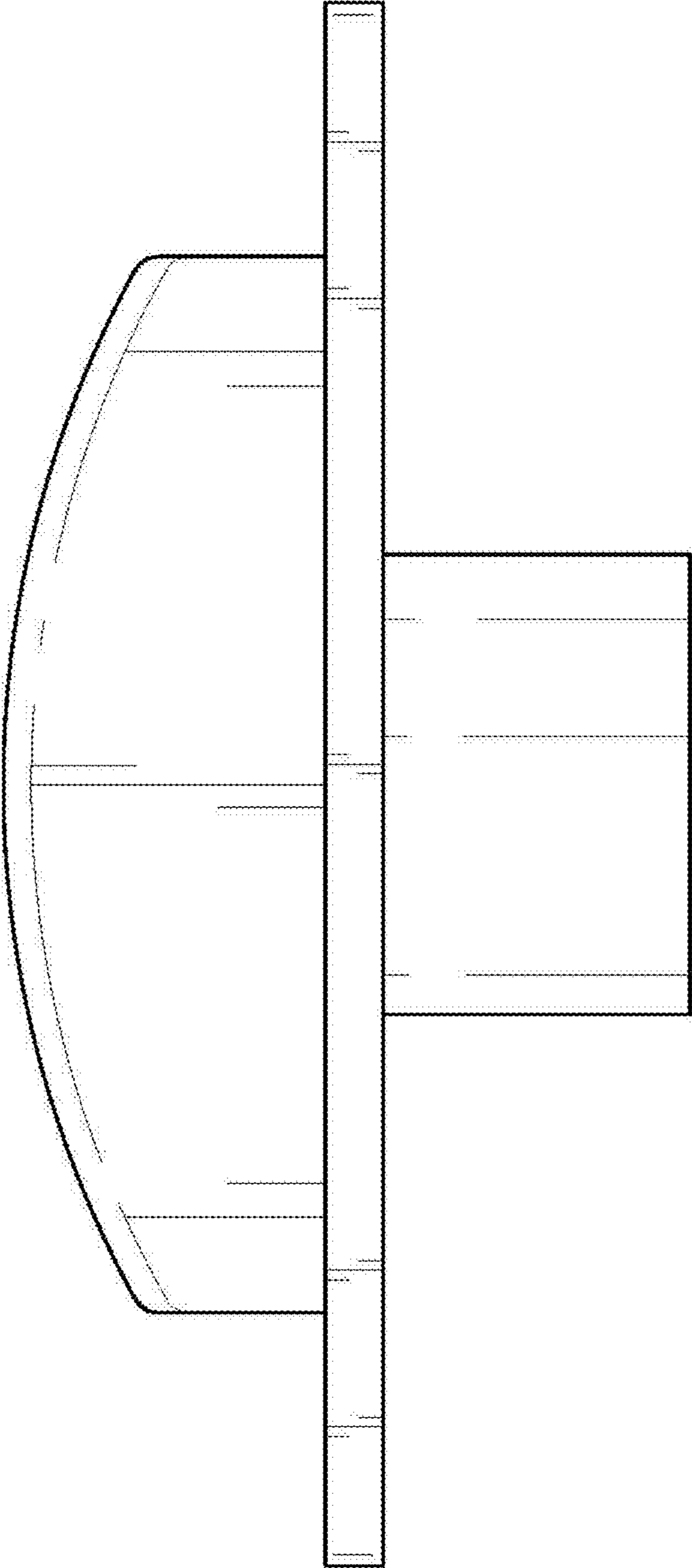


FIG. 5

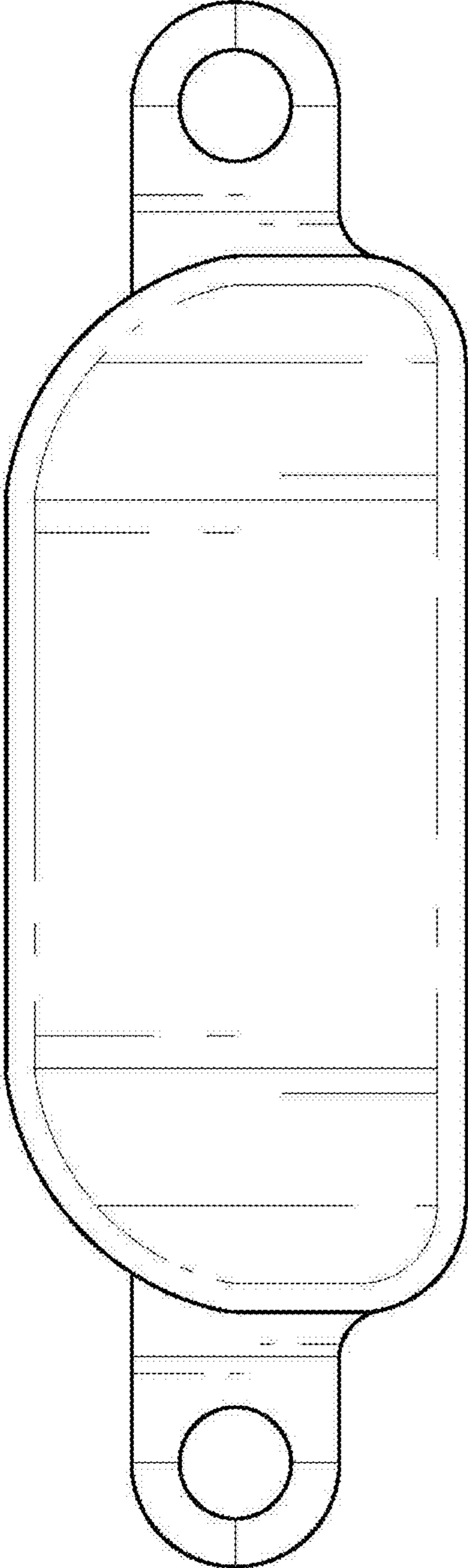


FIG. 6



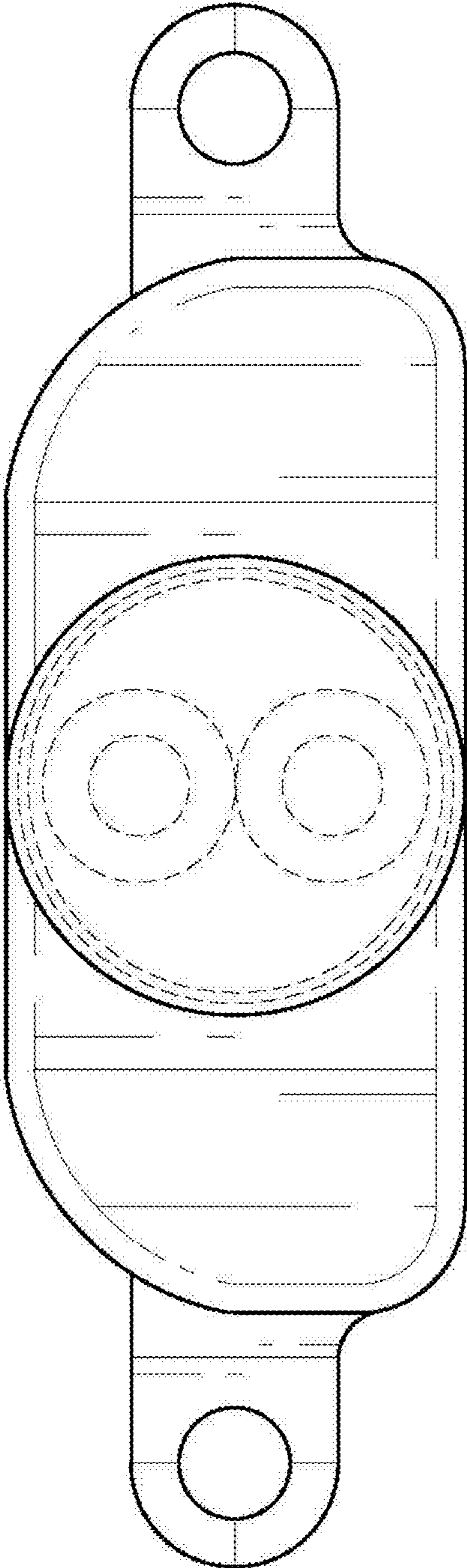


FIG. 7