



US00D900362S

(12) **United States Design Patent**
Li

(10) **Patent No.:** **US D900,362 S**

(45) **Date of Patent:** **** Oct. 27, 2020**

(54) **VEHICLE GRILLE LIGHTS**

(71) Applicant: **Yuankun Li**, Guangzhou (CN)

(72) Inventor: **Yuankun Li**, Guangzhou (CN)

(**) Term: **15 Years**

(21) Appl. No.: **29/739,391**

(22) Filed: **Jun. 25, 2020**

(51) **LOC (12) Cl.** **26-06**

(52) **U.S. Cl.**
USPC **D26/28**

(58) **Field of Classification Search**
USPC D26/28-36, 139
CPC F21S 48/00; F21S 48/10; F21S 48/115;
F21S 48/225; F21S 48/1233; F21S
48/1266; F21S 48/1388; F21S 48/2268;
F21V 21/04; F21V 29/004; B60Q 9/13;
B60Q 9/135; B60Q 9/1375
See application file for complete search history.

(56) **References Cited**

U.S. PATENT DOCUMENTS

D484,270 S	12/2003	Yiu	
D490,172 S *	5/2004	Yamamoto	D26/28
D564,683 S *	3/2008	Roach	D26/28
D603,537 S	11/2009	Rowehl et al.	
D604,445 S	11/2009	Ko et al.	
D626,670 S *	11/2010	Metzger	D26/28

D674,523 S	1/2013	Kaffash	
D688,400 S *	8/2013	Haumann	D26/28
D716,477 S *	10/2014	Chu	D26/28
D718,478 S *	11/2014	Adams	D26/28
D723,210 S	2/2015	Highbridge et al.	
D793,589 S	8/2017	Deyaf et al.	
D863,621 S *	10/2019	Chi	D26/28

* cited by examiner

Primary Examiner — Marcus A Jackson

(74) *Attorney, Agent, or Firm* — KA Filing LLC; Wayne V. Harper; Cynthia Ward Flanigan

(57) **CLAIM**

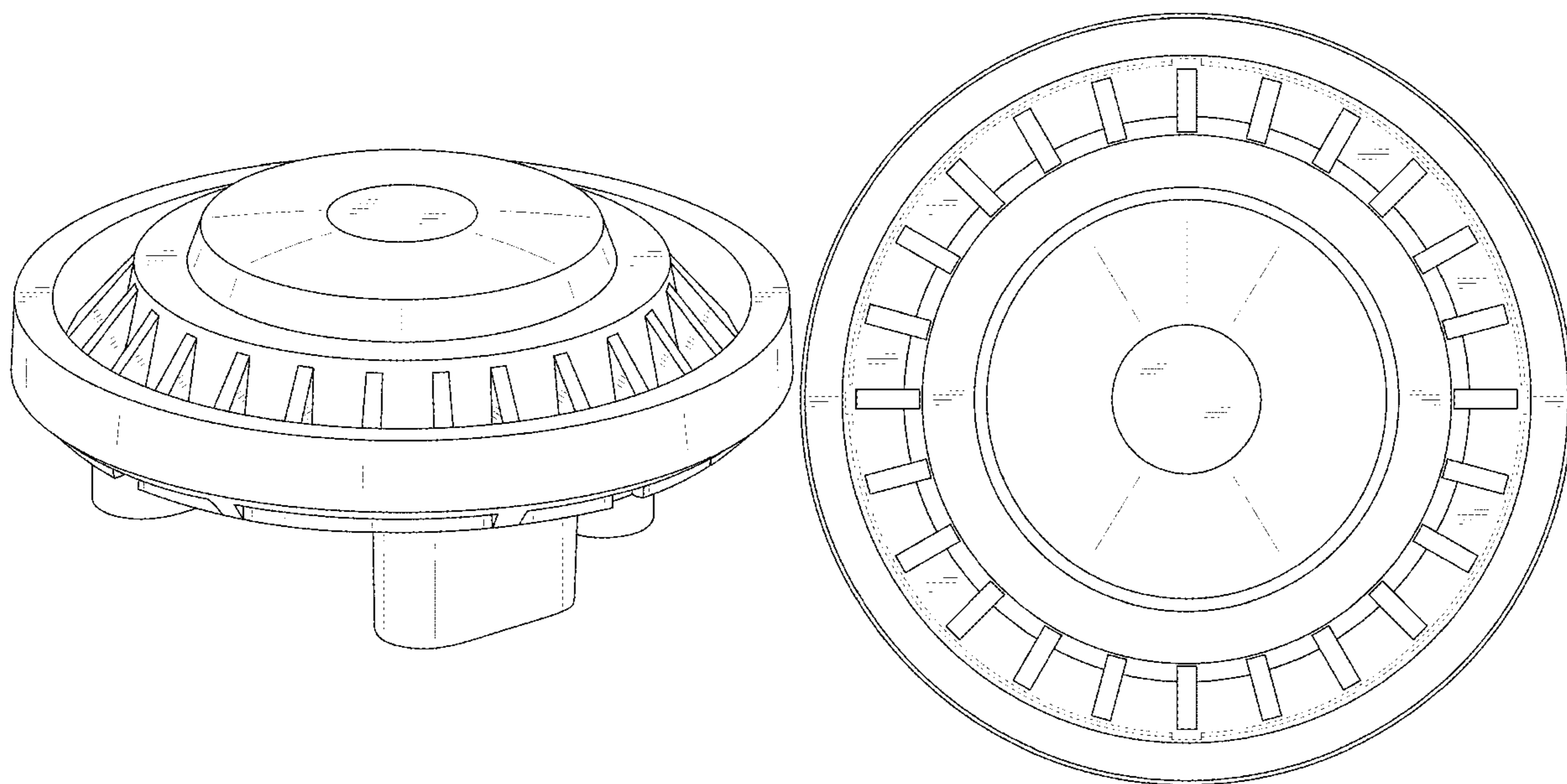
I claim the ornamental design for a vehicle grille lights, as shown and described.

DESCRIPTION

FIG. 1 is a Perspective view of a vehicle grille lights showing my new design;
FIG. 2 is a Front view thereof;
FIG. 3 is a Back view thereof;
FIG. 4 is a Right-side view thereof;
FIG. 5 is a Left-side view thereof;
FIG. 6 is a Top view thereof; and,
FIG. 7 is a Bottom view thereof.

The broken lines are for the purpose of illustrating portions of the article that form no part of the claim.

1 Claim, 7 Drawing Sheets



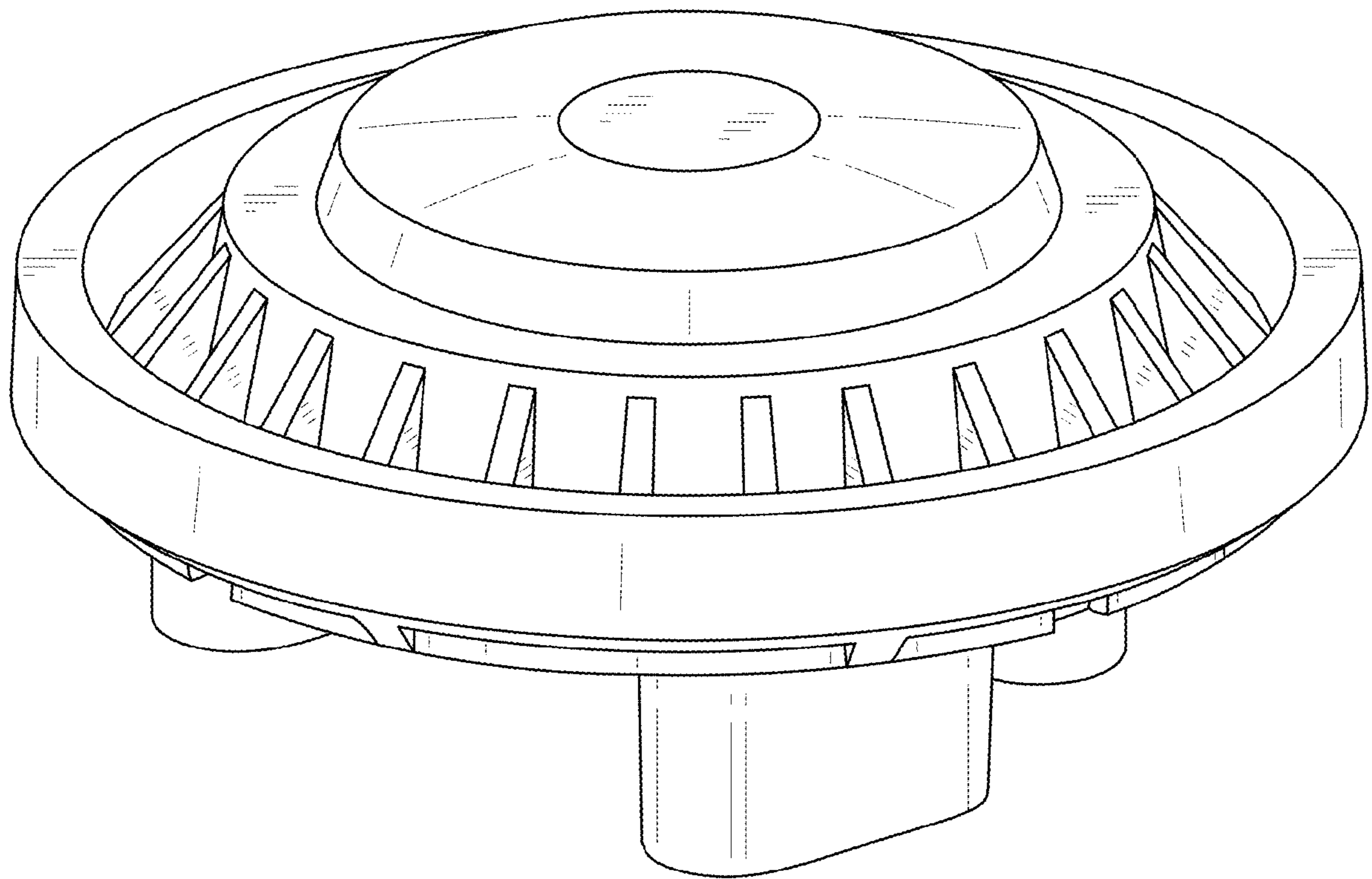


FIG. 1

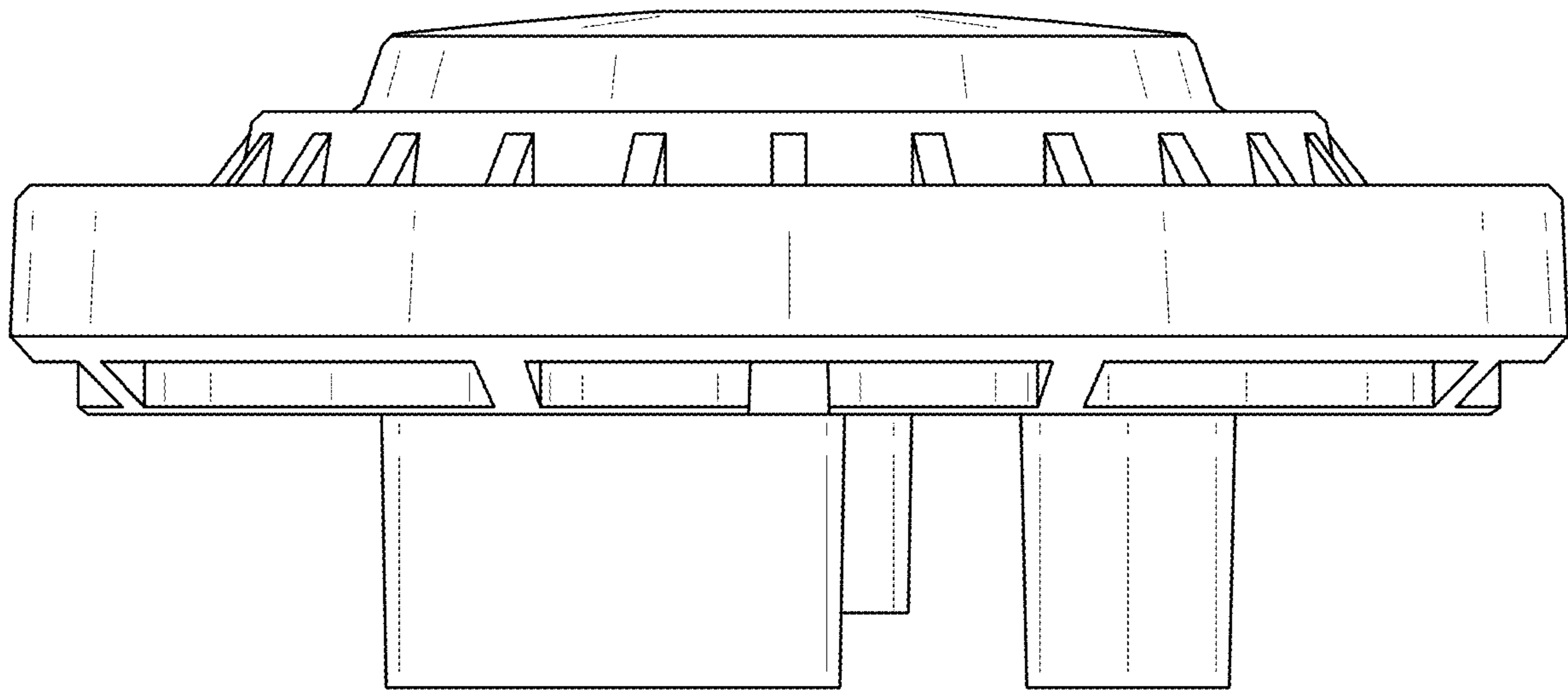


FIG. 2

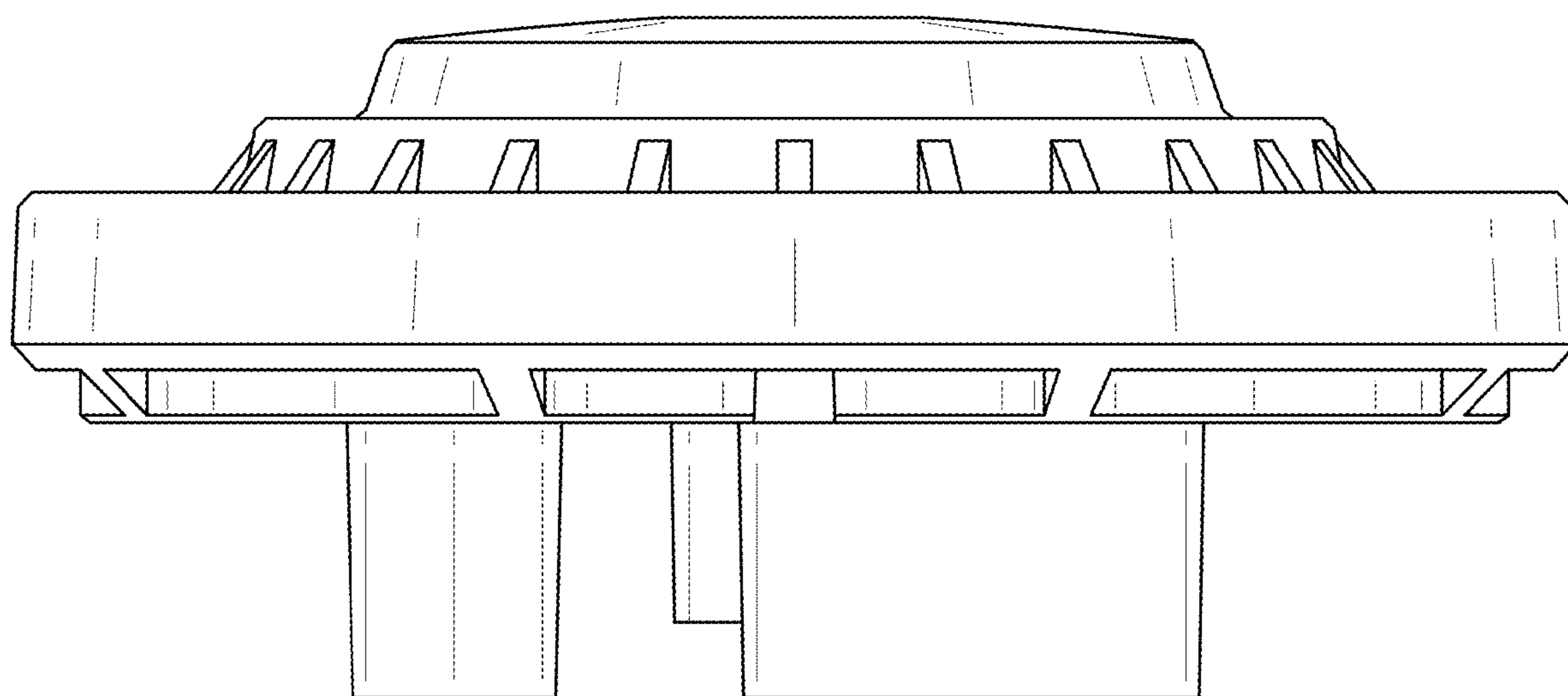


FIG. 3

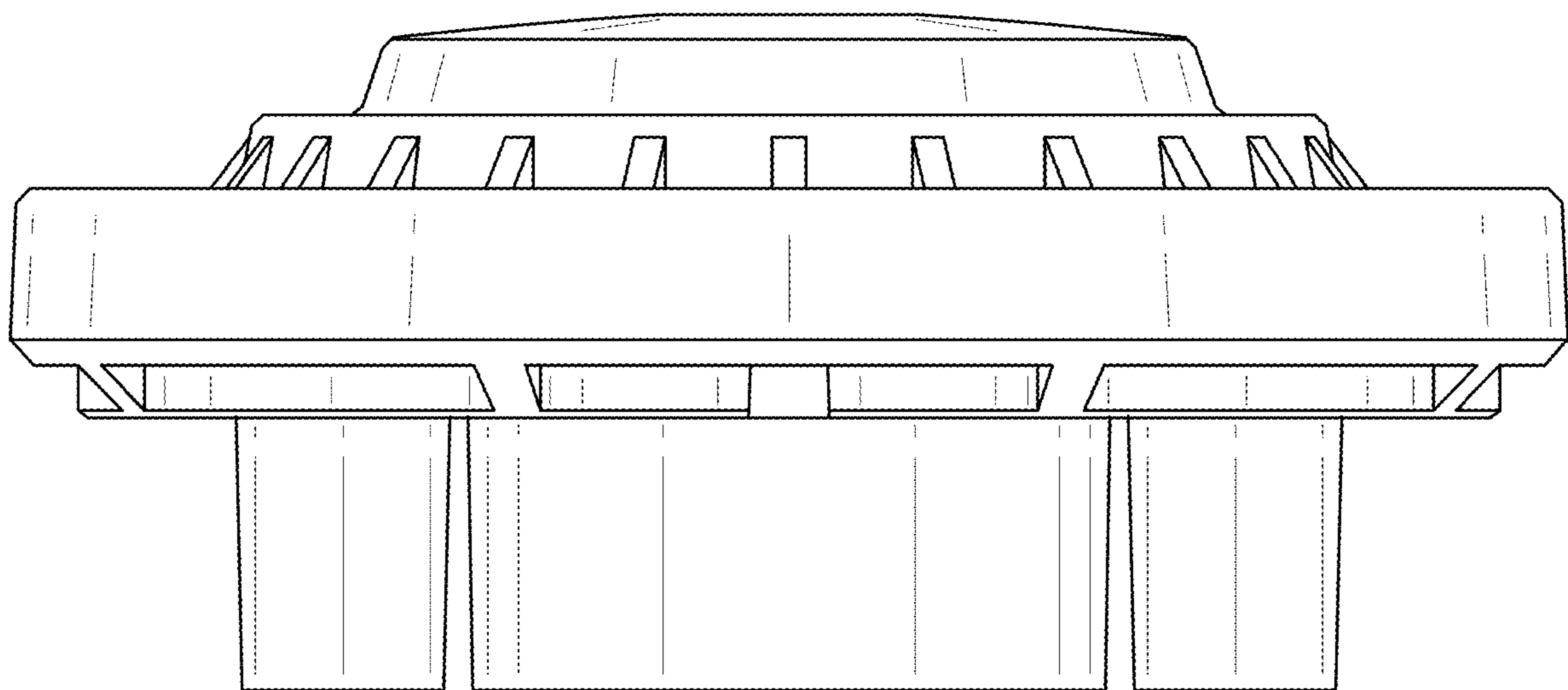


FIG. 4

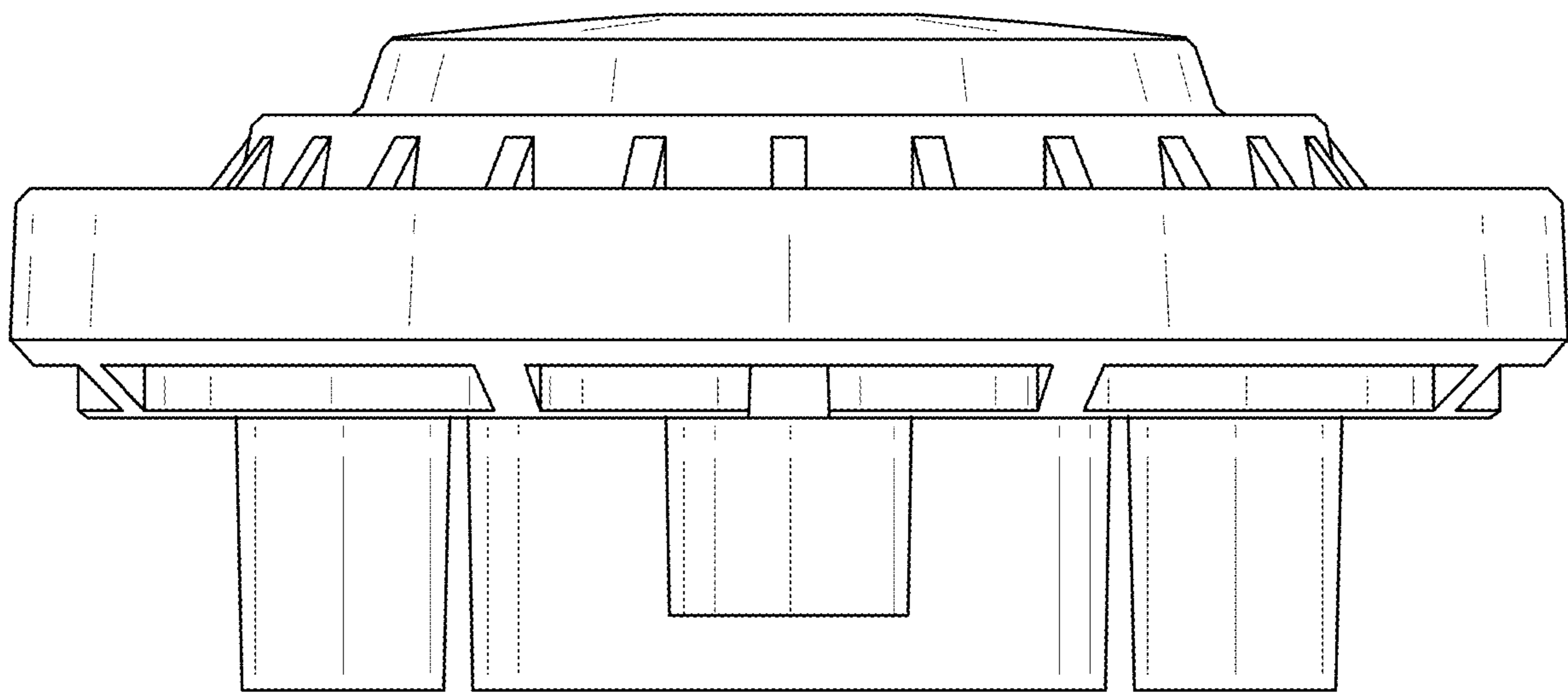


FIG. 5

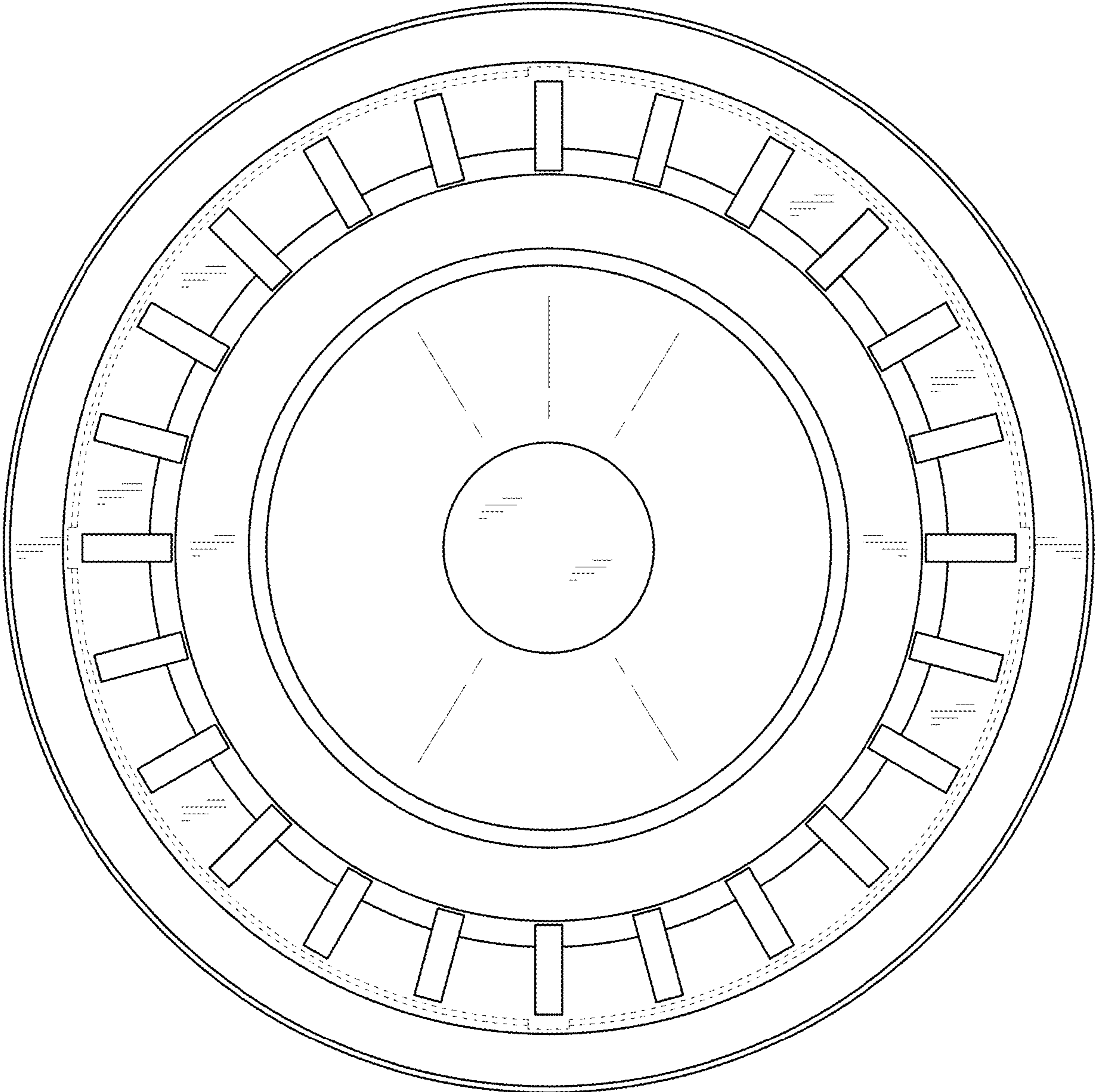


FIG. 6

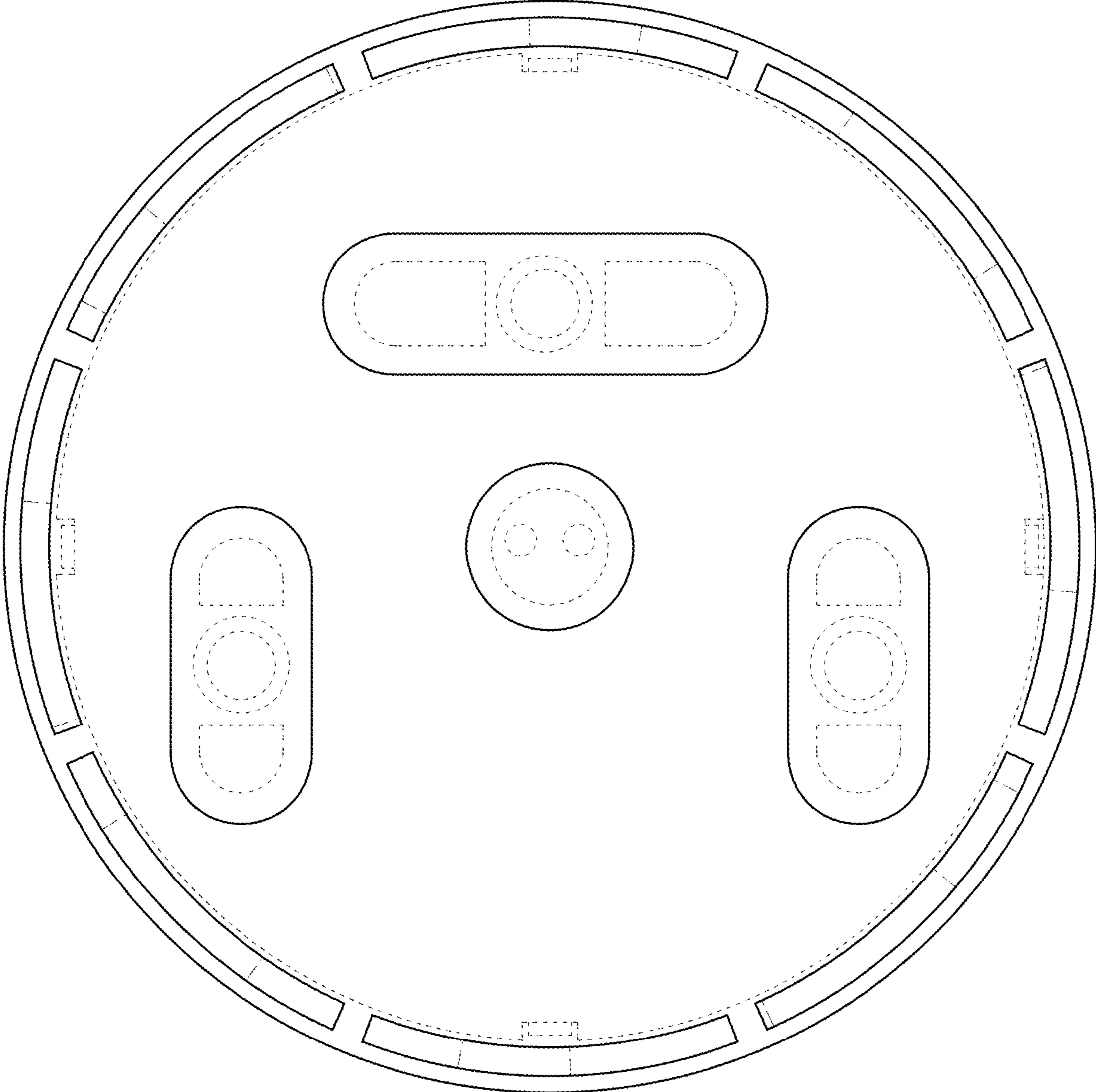


FIG. 7