



US00D900361S

(12) **United States Design Patent**
Yang

(10) **Patent No.:** **US D900,361 S**

(45) **Date of Patent:** **** Oct. 27, 2020**

(54) **VEHICLE HEADLIGHT**

(71) Applicant: **SONAR AUTO PARTS CO., LTD.**,
New Taipei (TW)

(72) Inventor: **Hsiu-Pen Yang**, New Taipei (TW)

(73) Assignee: **SONAR AUTO PARTS CO., LTD.**,
New Taipei (TW)

(**) Term: **15 Years**

(21) Appl. No.: **29/704,649**

(22) Filed: **Sep. 6, 2019**

(51) **LOC (12) Cl.** **26-06**

(52) **U.S. Cl.**
USPC **D26/28**

(58) **Field of Classification Search**
USPC D26/28-36, 139
CPC F21S 48/00; F21S 48/10; F21S 48/115;
F21S 48/225; F21S 48/1233; F21S
48/1266; F21S 48/1388; F21S 48/2268;
F21V 21/04; F21V 29/004; B60Q 9/13;
B60Q 9/135; B60Q 9/1375
See application file for complete search history.

(56) **References Cited**

U.S. PATENT DOCUMENTS

D605,792 S * 12/2009 Weil D26/28
D742,046 S * 10/2015 Hwang D26/28

D755,421 S * 5/2016 Alemany D26/28
D787,720 S * 5/2017 Lai D26/28
D787,721 S * 5/2017 Lai D26/28
D797,324 S * 9/2017 Lai D26/28

* cited by examiner

Primary Examiner — Marcus A Jackson

(74) *Attorney, Agent, or Firm* — Li & Cai Intellectual
Property Office

(57) **CLAIM**

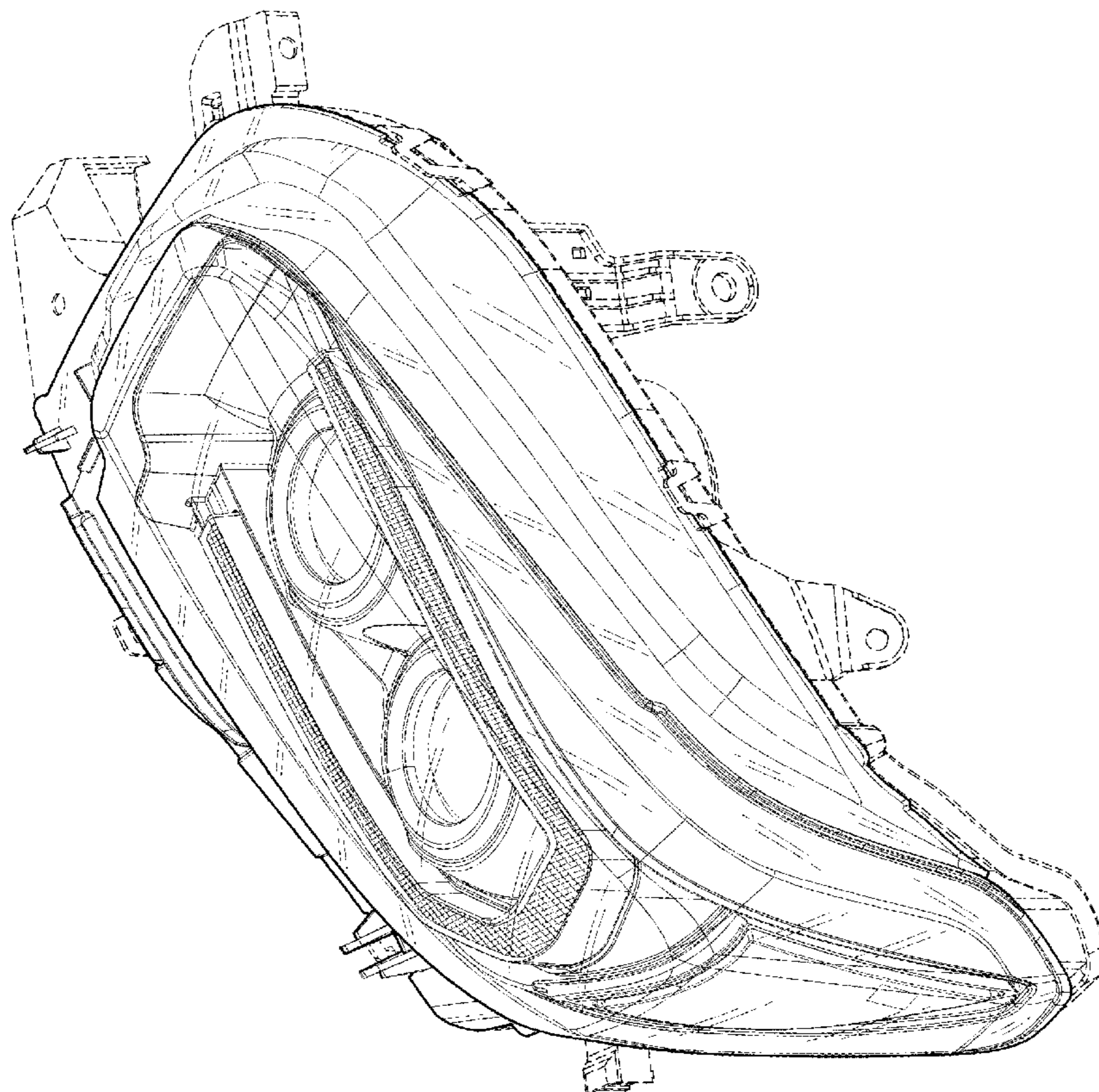
The ornamental design for a vehicle headlight, as shown and described.

DESCRIPTION

FIG. 1 is a front, left and top perspective view of a vehicle headlight showing my new design; FIG. 2 is a front elevational view thereof; FIG. 3 is a rear elevational view thereof; FIG. 4 is a left side elevational view thereof; FIG. 5 is a right side elevational view thereof; FIG. 6 is a top plan view thereof; and, FIG. 7 is a bottom plan view thereof.

The broken lines depict portions of the vehicle headlight in which the design is embodied that forms no part of the claimed design.

1 Claim, 7 Drawing Sheets



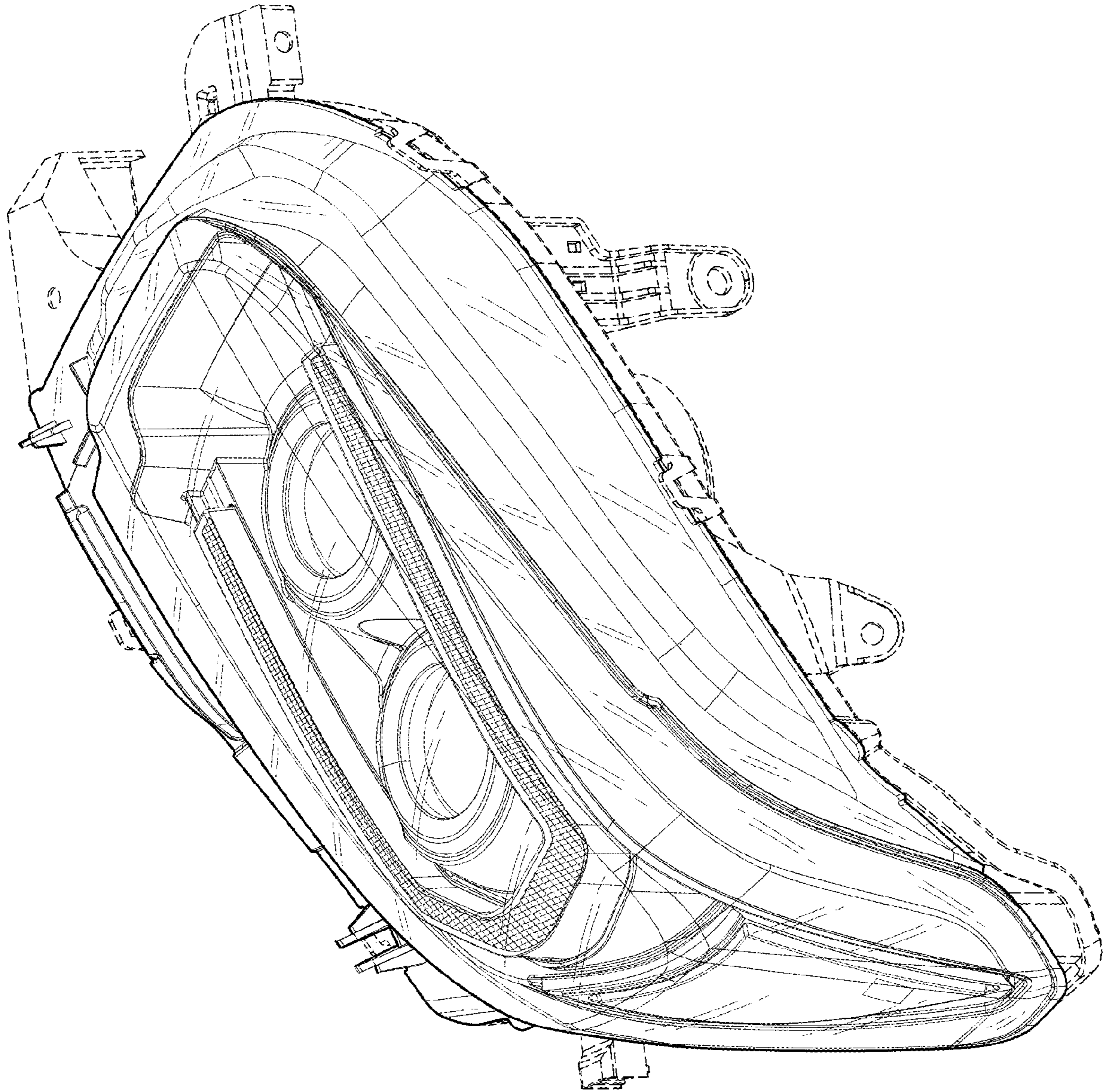


FIG. 1

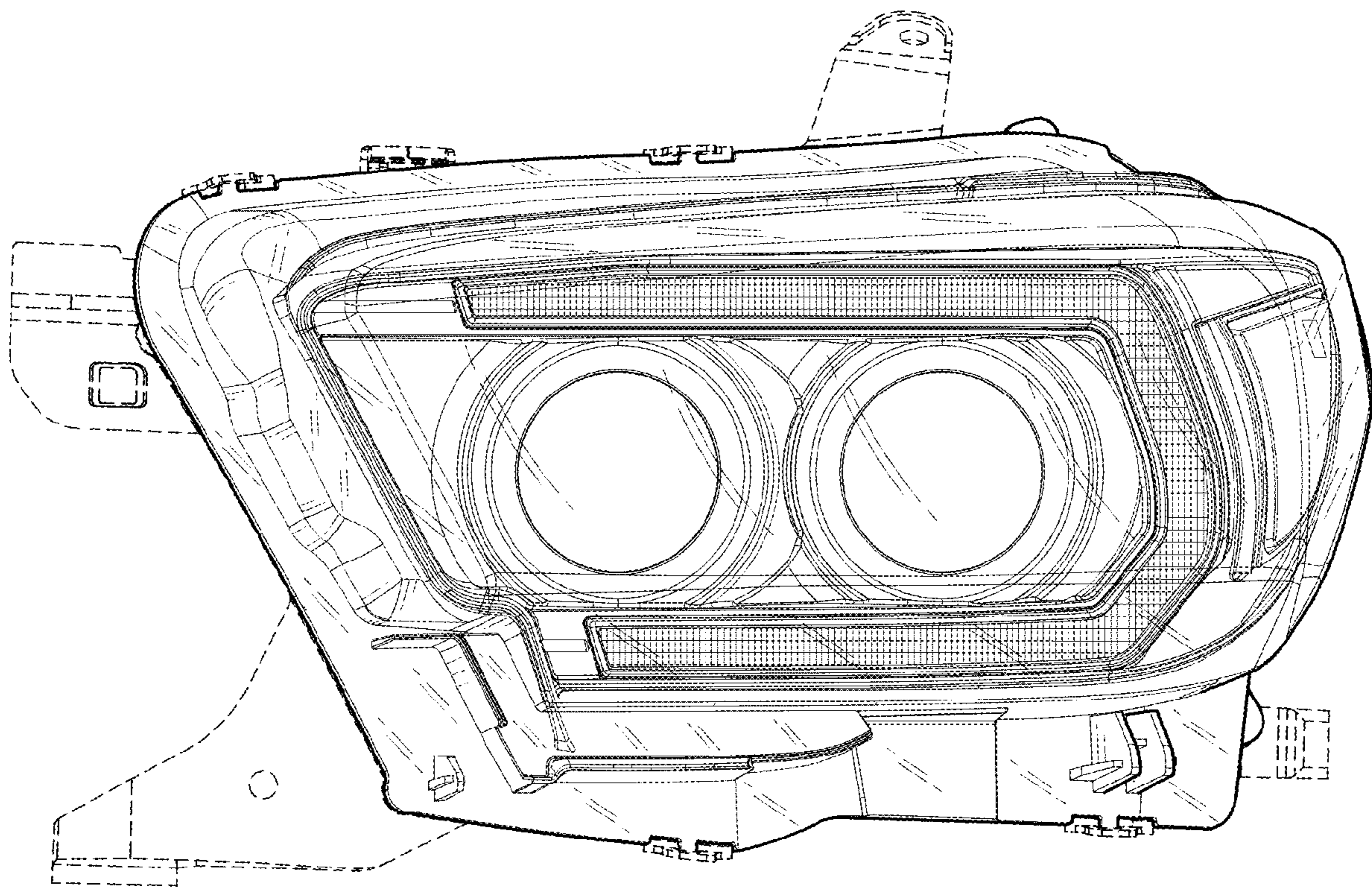


FIG. 2

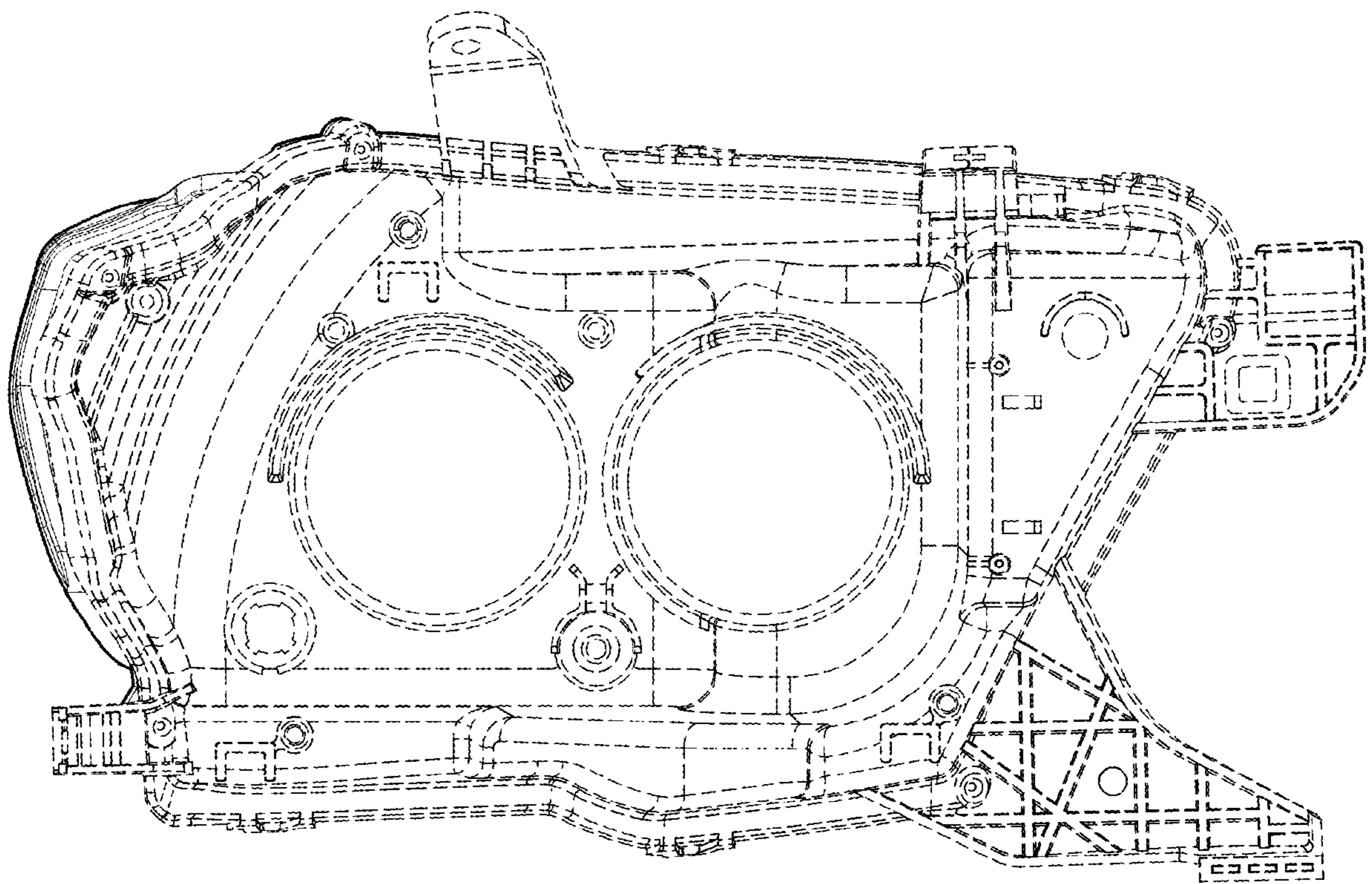


FIG. 3

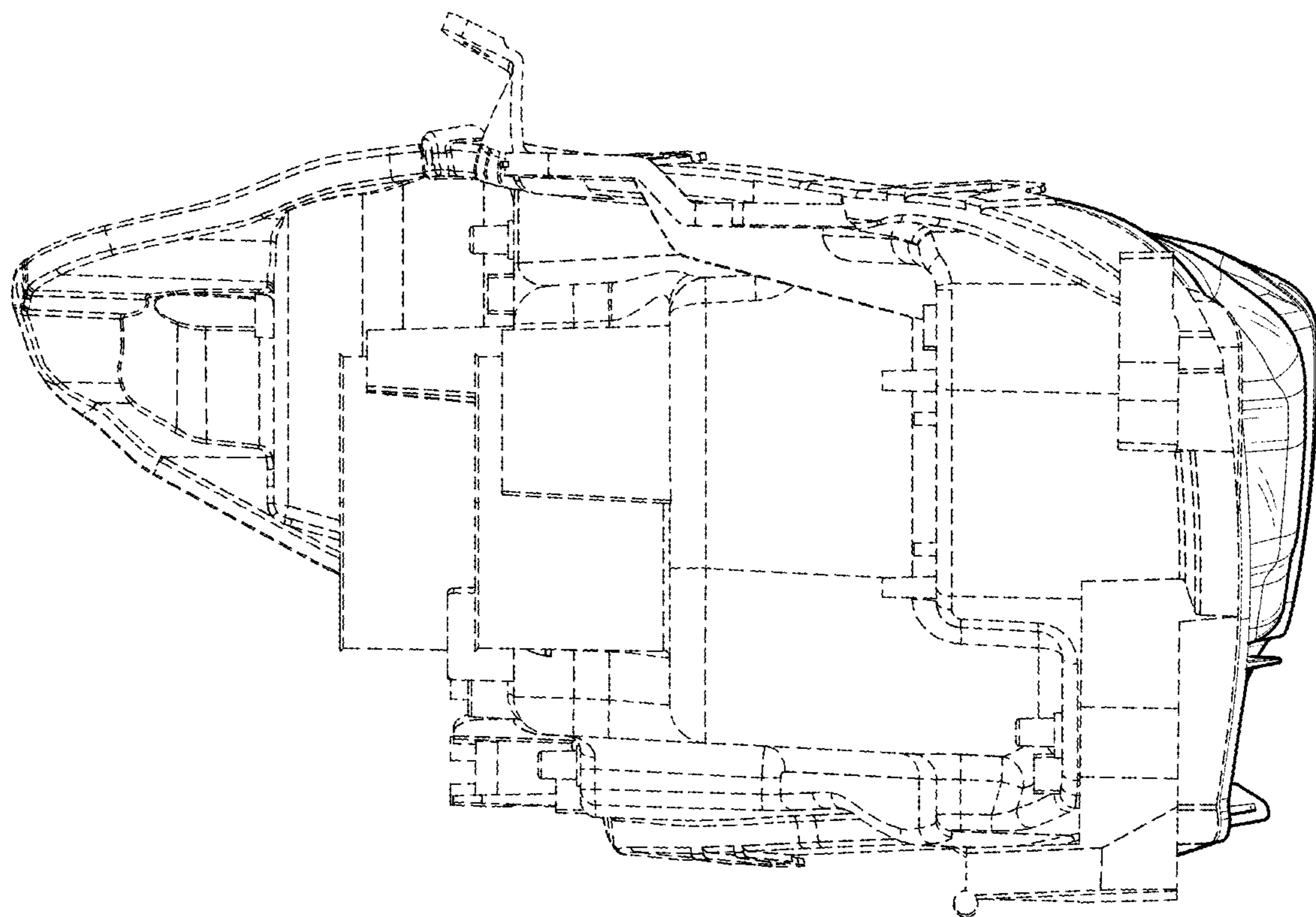


FIG. 4

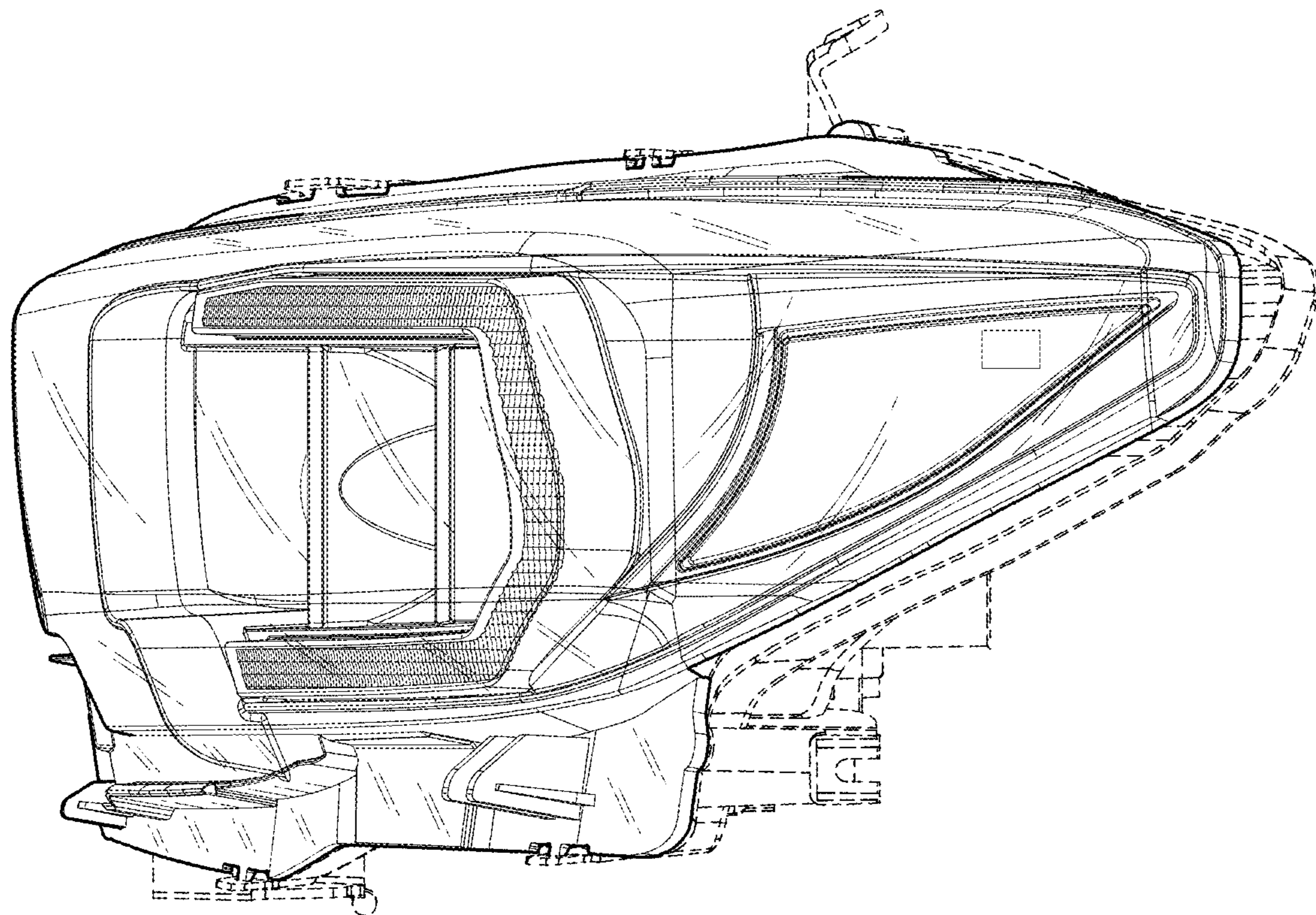


FIG. 5

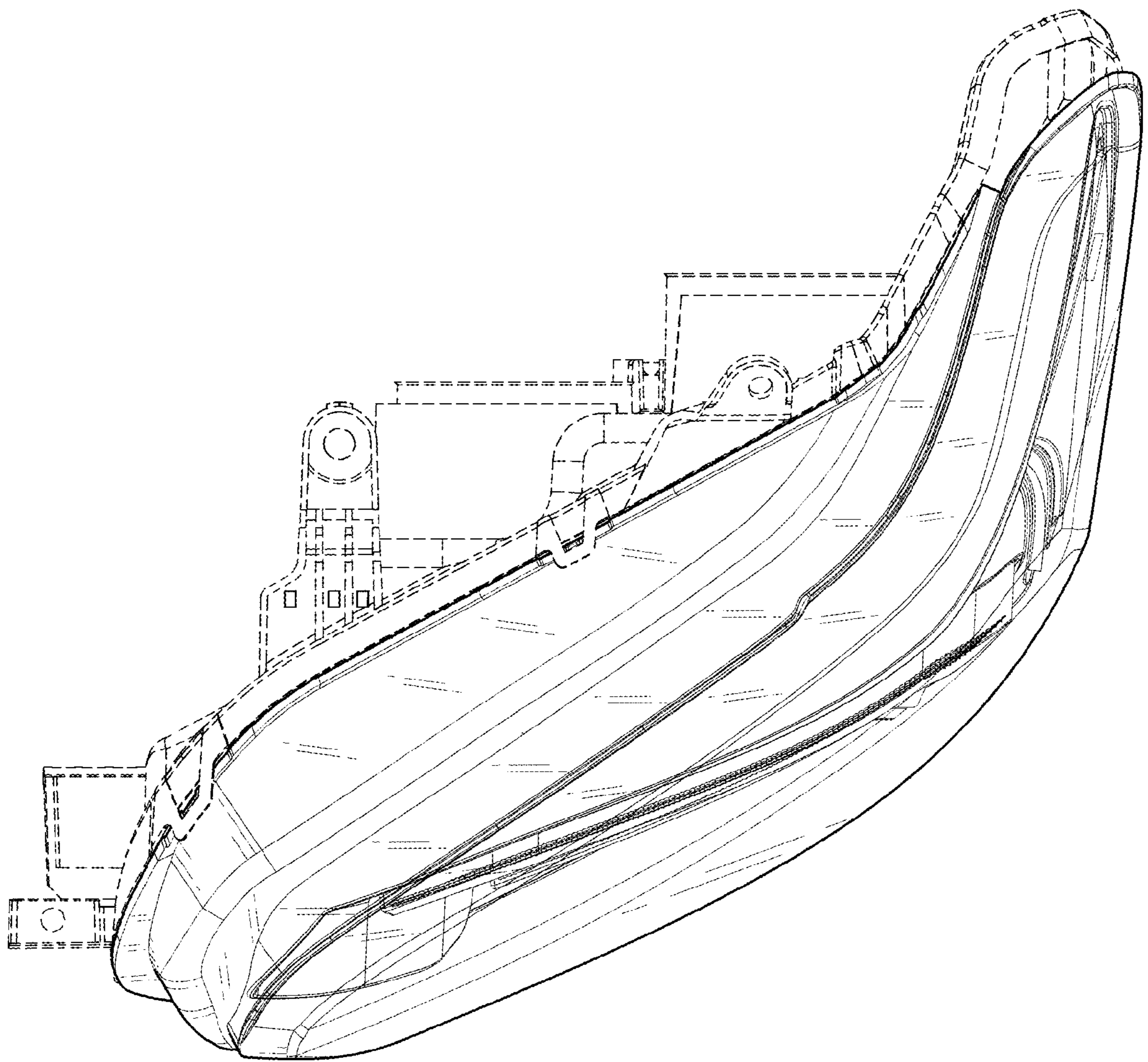


FIG. 6

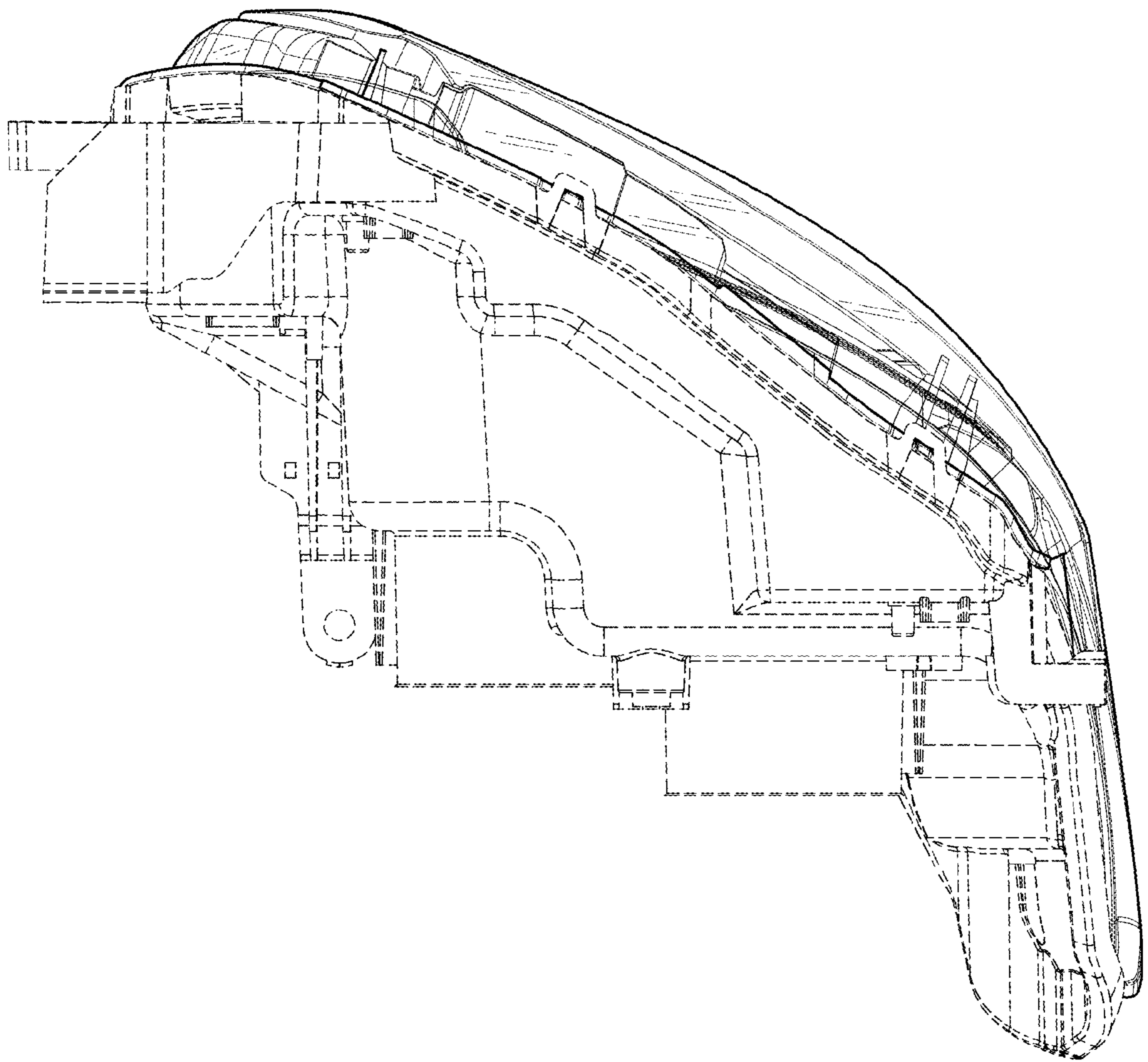


FIG. 7