



US00D900358S

(12) **United States Design Patent**
He

(10) **Patent No.:** **US D900,358 S**

(45) **Date of Patent:** **** Oct. 27, 2020**

- (54) **HEADLIGHT FOR A VEHICLE**
- (71) Applicant: **Arex Industries, Inc.**, Irwindale, CA
(US)
- (72) Inventor: **Mizeng He**, TaiZhou (CN)
- (**) Term: **15 Years**
- (21) Appl. No.: **29/696,409**
- (22) Filed: **Jun. 27, 2019**
- (51) **LOC (12) Cl.** **26-06**
- (52) **U.S. Cl.**
USPC **D26/28**
- (58) **Field of Classification Search**
USPC D26/28, 29, 30, 31, 32, 33, 34, 35, 36
CPC F21S 48/00; F21S 48/10; F21S 48/115;
F21S 48/225; F21S 48/1233; F21S
48/1266; F21S 48/1388; F21S 48/2268;
F21V 21/04; F21W 2103/35; F21W 3/40;
F21W 2102/17; F21W 2102/30; F21W
2103/00; F21W 2103/55; F21W 2104/00;
F21W 2107/17; F21W 2107/13
See application file for complete search history.

D582,072 S	*	12/2008	Yang	D26/28
D737,484 S	*	8/2015	Lai	D26/28
D744,677 S	*	12/2015	Lai	D26/28
D831,245 S	*	10/2018	Lin	D26/28
D831,246 S	*	10/2018	Yang	D26/28
D841,207 S	*	2/2019	Yang	D26/28
D853,000 S	*	7/2019	Lin	D26/28

* cited by examiner

Primary Examiner — Angela J Lee

(74) *Attorney, Agent, or Firm* — Theodore S. Lee, Esq.

(57) **CLAIM**

The ornamental design for a headlight for a vehicle, as shown and described.

DESCRIPTION

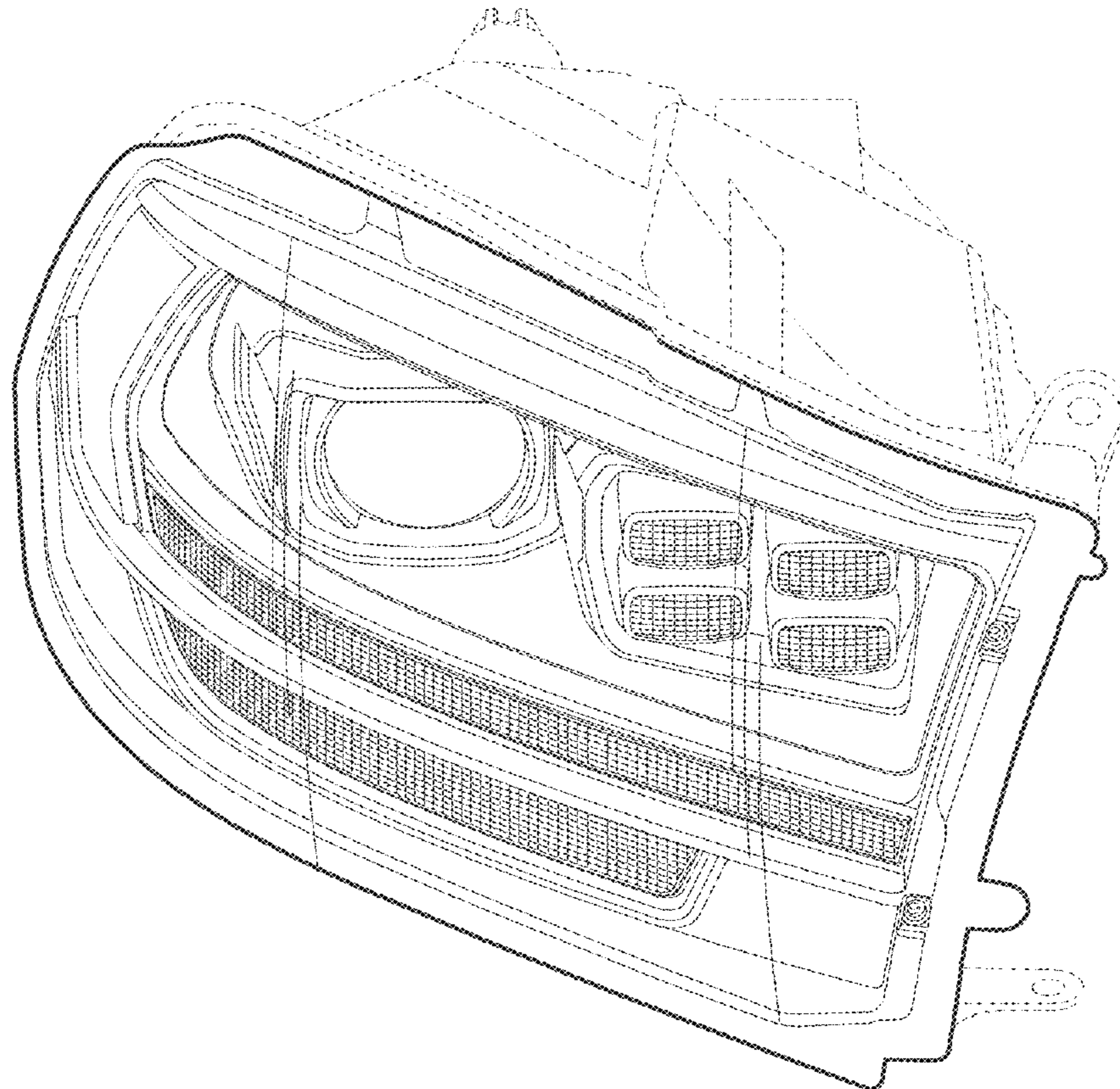
FIG. 1 is a perspective view of a headlight for a vehicle; FIG. 2 is left side view thereof; FIG. 3 is a front view thereof; FIG. 4 is a right side view thereof; FIG. 5 is a back side view thereof; FIG. 6 is an alternative perspective view thereof; and, FIG. 7 is a top view thereof.

The broken lines are for environmental purposes only and form no part of the claimed design.

The drawings and descriptions represent the right side embodiment. The claim is also for a mirror image of a left side embodiment that is not shown.

- (56) **References Cited**
U.S. PATENT DOCUMENTS
D566,307 S * 4/2008 Hsu D26/28
D567,970 S * 4/2008 Hsu D26/28

1 Claim, 7 Drawing Sheets



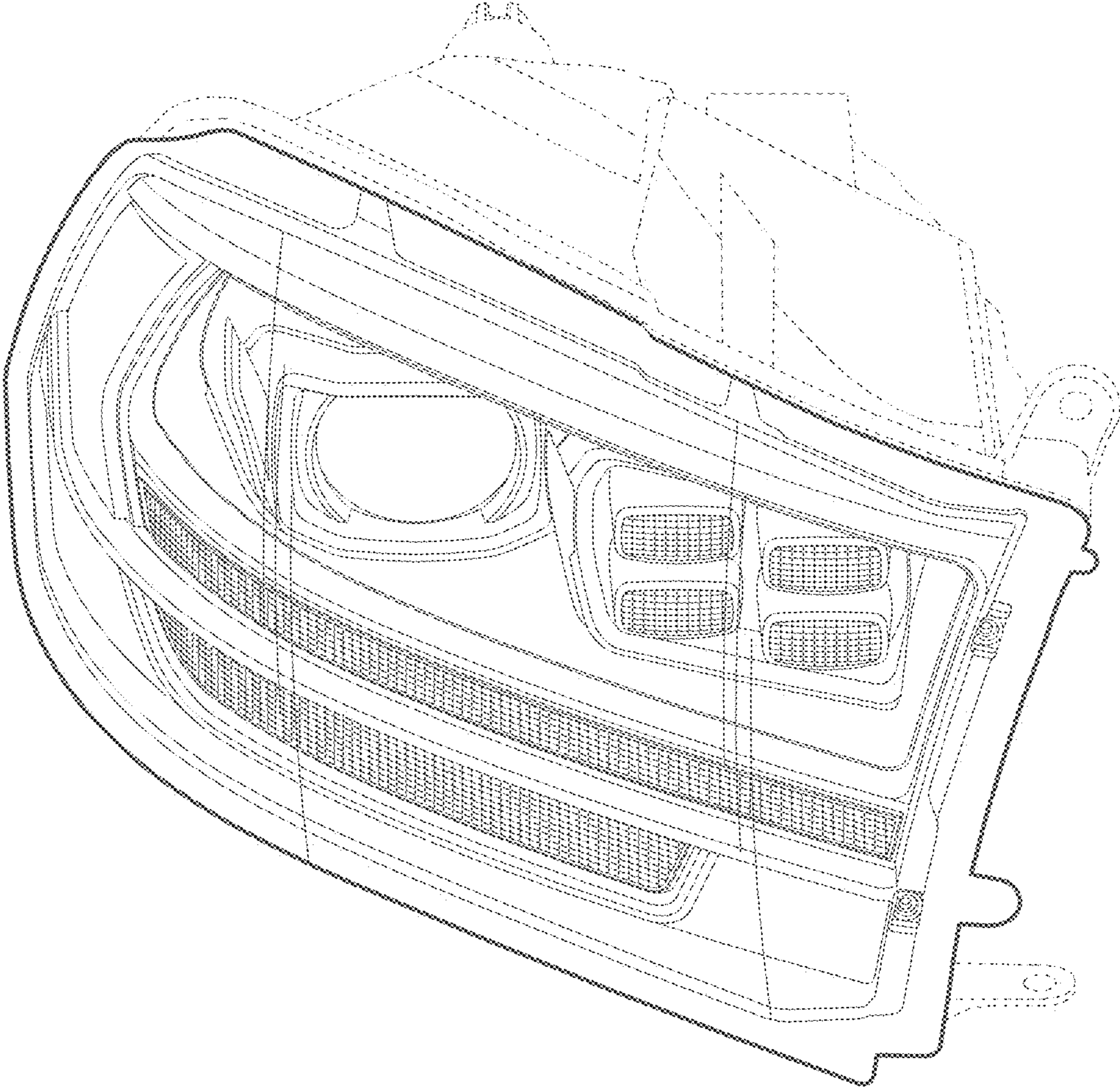


FIG. 1

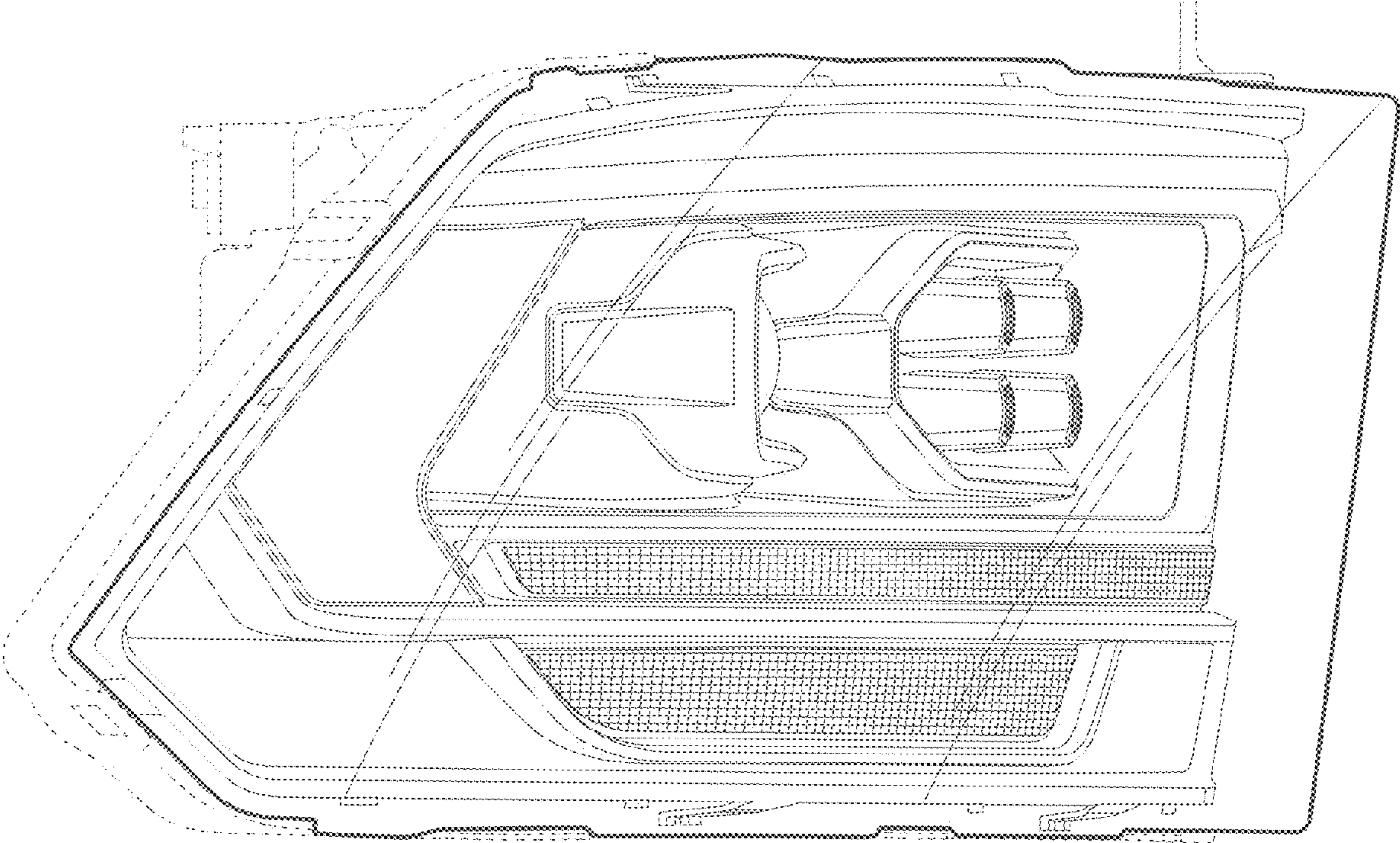


FIG. 2

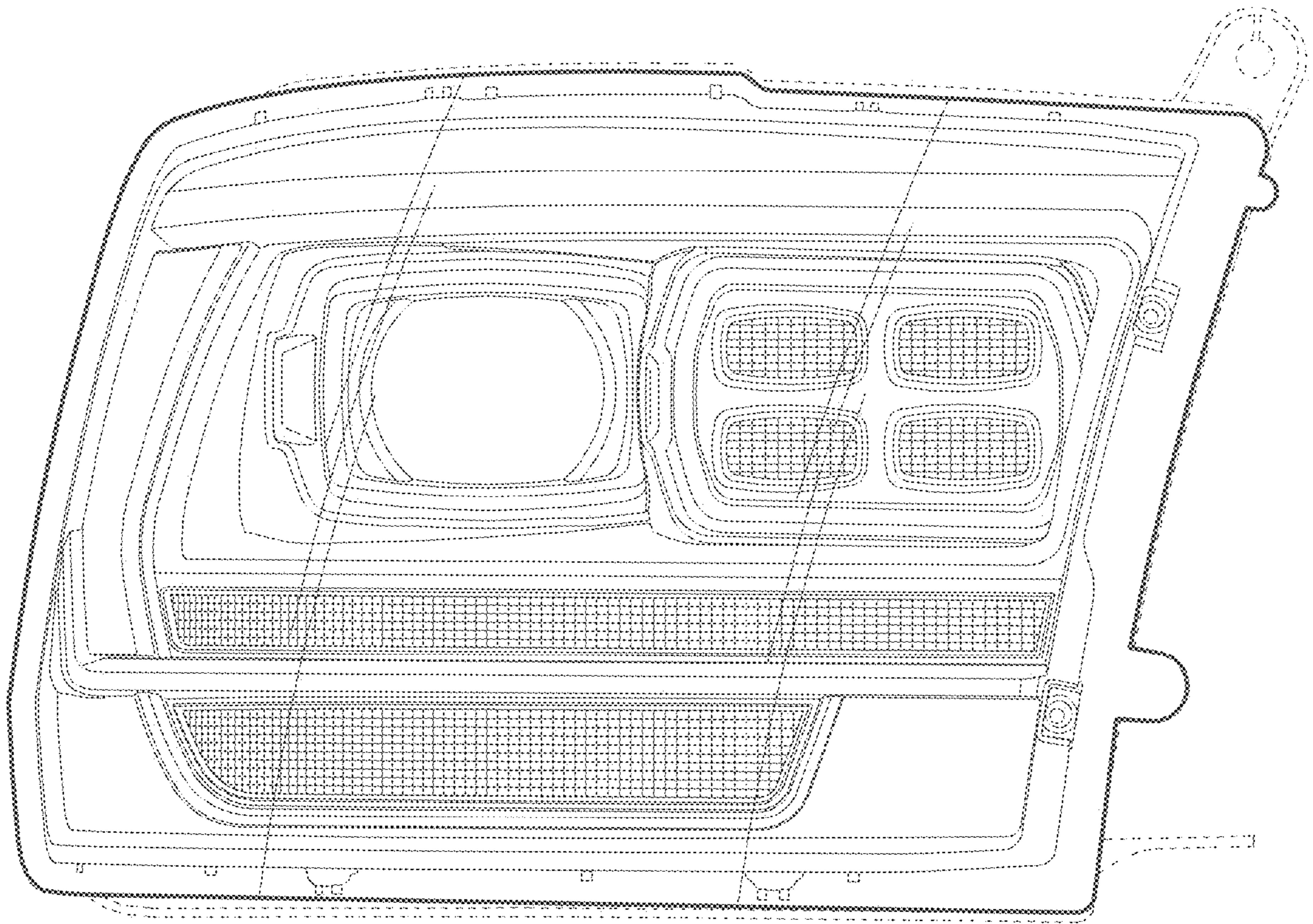


FIG. 3

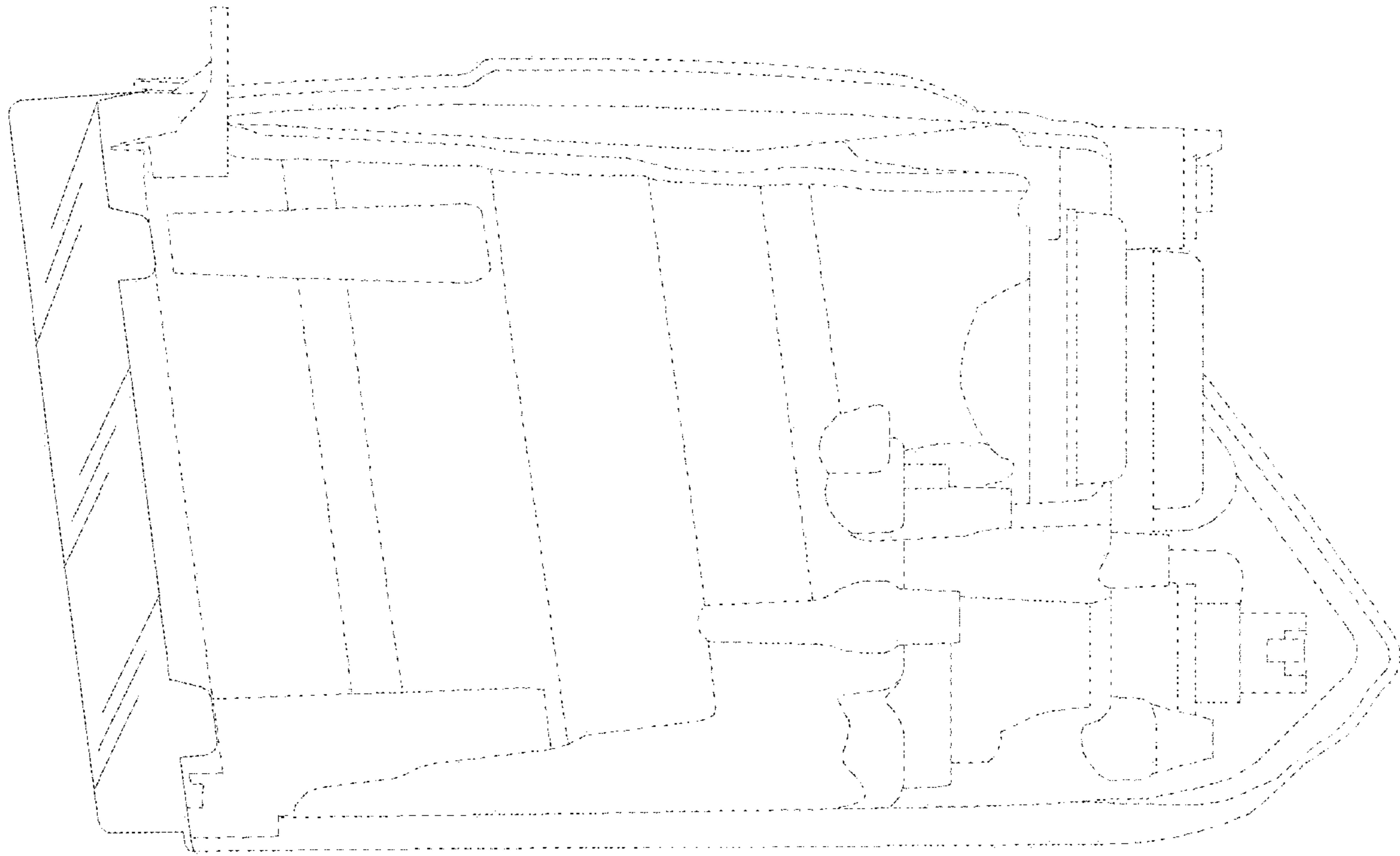


FIG. 4

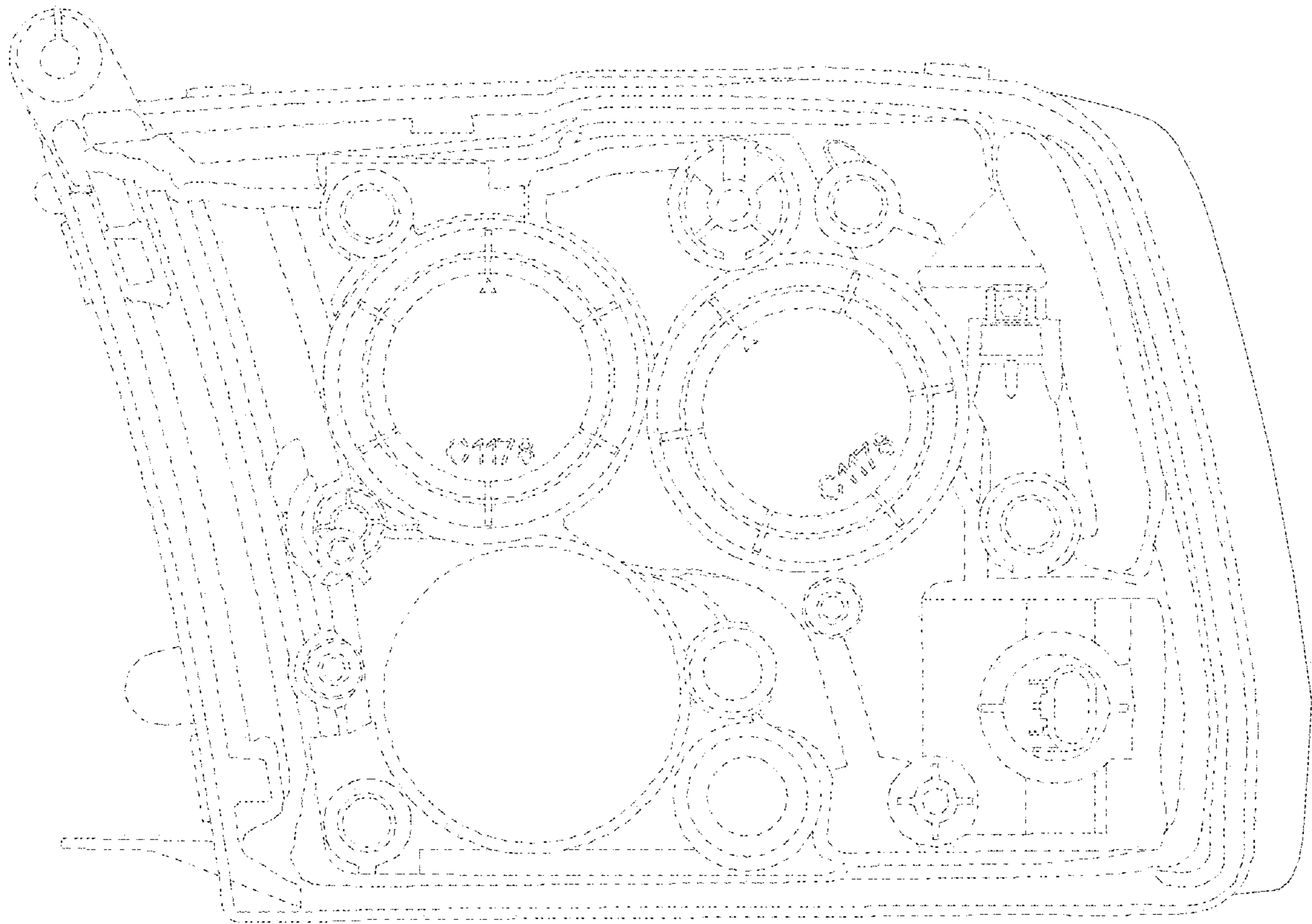


FIG. 5

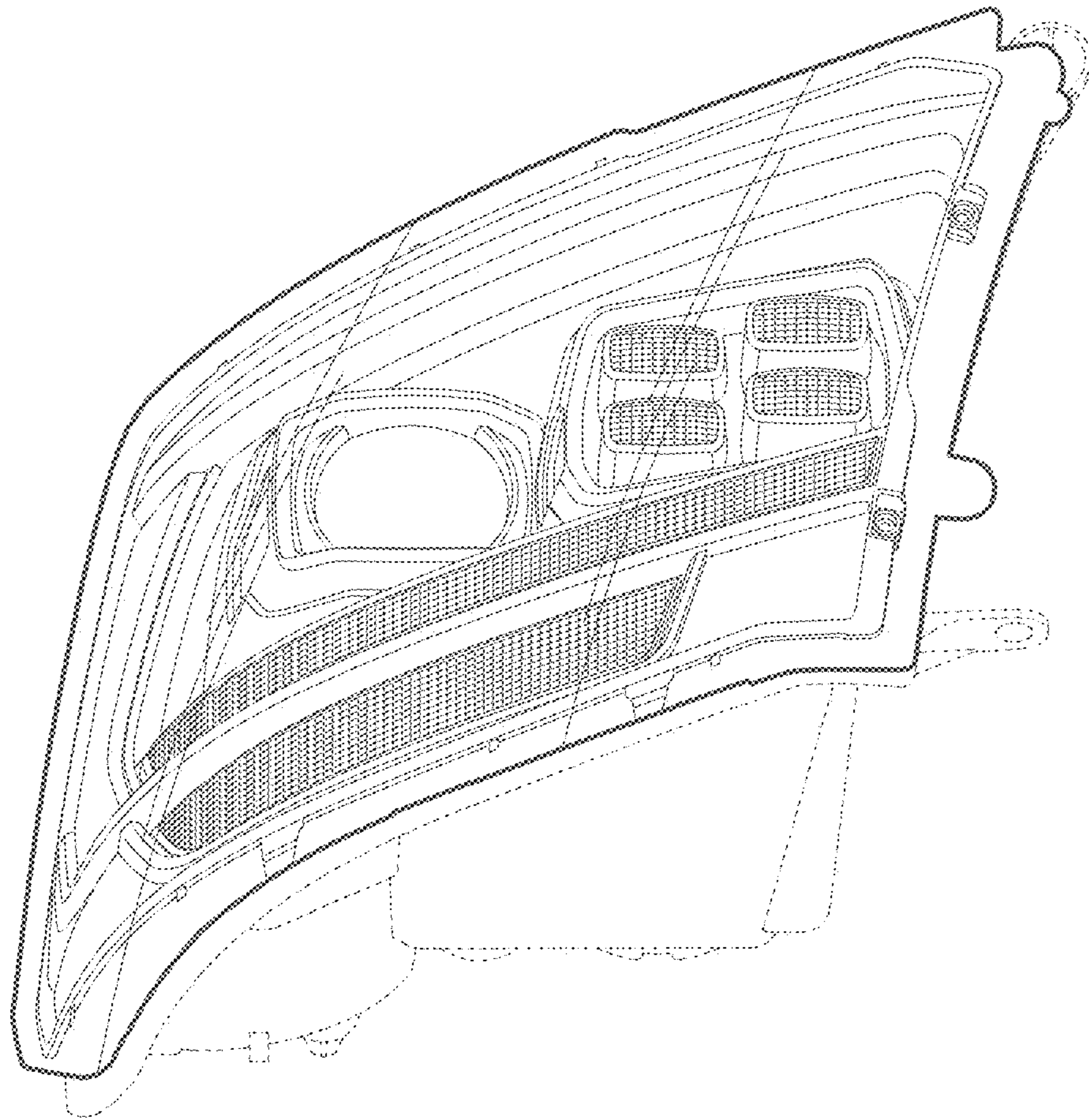


FIG. 6

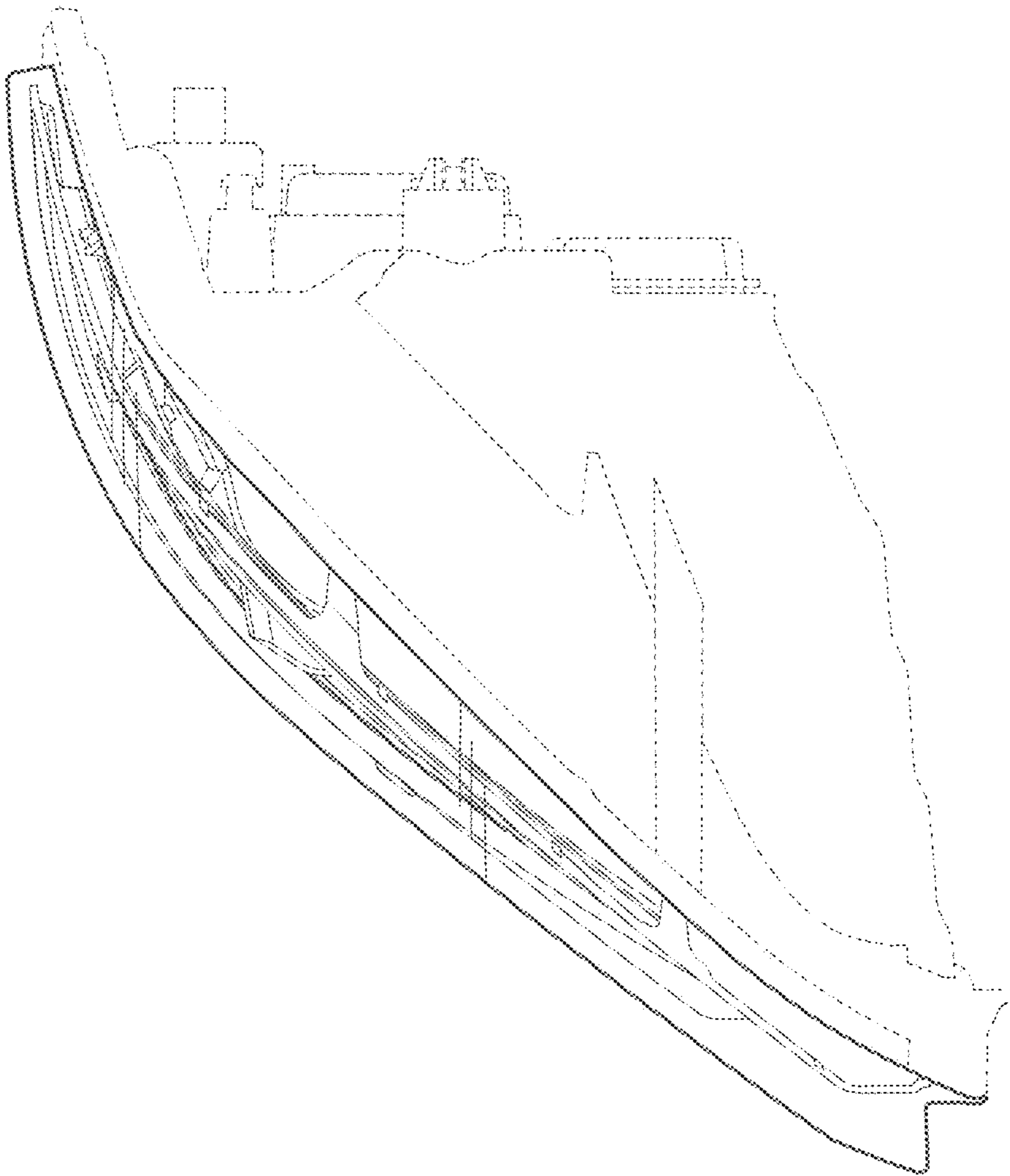


FIG. 7