



US00D900356S

(12) **United States Design Patent** (10) **Patent No.:** **US D900,356 S**  
**Zhu** (45) **Date of Patent:** **\*\* Oct. 27, 2020**

(54) **LED LIGHT**  
(71) Applicant: **Dongsheng Zhu**, Guangdong (CN)  
(72) Inventor: **Dongsheng Zhu**, Guangdong (CN)  
(73) Assignee: **SHENZHEN SMART & GREEN TECHNOLOGY CO., LTD.**, Shenzhen (CN)  
(\*\*) Term: **15 Years**  
(21) Appl. No.: **29/659,010**  
(22) Filed: **Aug. 6, 2018**  
(51) **LOC (12) Cl.** ..... **26-05**  
(52) **U.S. Cl.**  
USPC ..... **D26/25; D26/1**  
(58) **Field of Classification Search**  
USPC ..... D26/1, 25, 72, 76, 80, 85, 89  
CPC .... F21S 8/03; F21S 8/033; F21S 8/036; F21S 8/037; F21S 9/022; F21S 9/024; F21S 9/03; F21S 9/035; F21S 9/037; F21S 4/10; F21S 10/06; F21W 2131/107; G08B 13/193  
See application file for complete search history.

(56) **References Cited**  
U.S. PATENT DOCUMENTS  
D653,791 S \* 2/2012 Toyohisa ..... D26/80  
D863,606 S \* 10/2019 Ou ..... D26/1

D873,445 S \* 1/2020 Chen ..... D26/25  
D874,692 S \* 2/2020 Dai ..... D26/25  
D888,293 S \* 6/2020 Xie ..... D26/25  
2009/0147509 A1\* 6/2009 Reed ..... F21V 21/002  
362/234  
2011/0310601 A1\* 12/2011 Shao ..... G09F 13/22  
362/231  
2016/0341408 A1\* 11/2016 Altamura ..... F21S 4/10  
2017/0023223 A1\* 1/2017 Tsai ..... F21V 23/003  
2018/0187840 A1\* 7/2018 Chen ..... H01B 1/026  
2018/0306391 A1\* 10/2018 Vissenberg ..... F21V 29/503  
2019/0186716 A1\* 6/2019 Meyer ..... F21V 19/003  
2019/0383481 A1\* 12/2019 Song ..... F21V 23/04

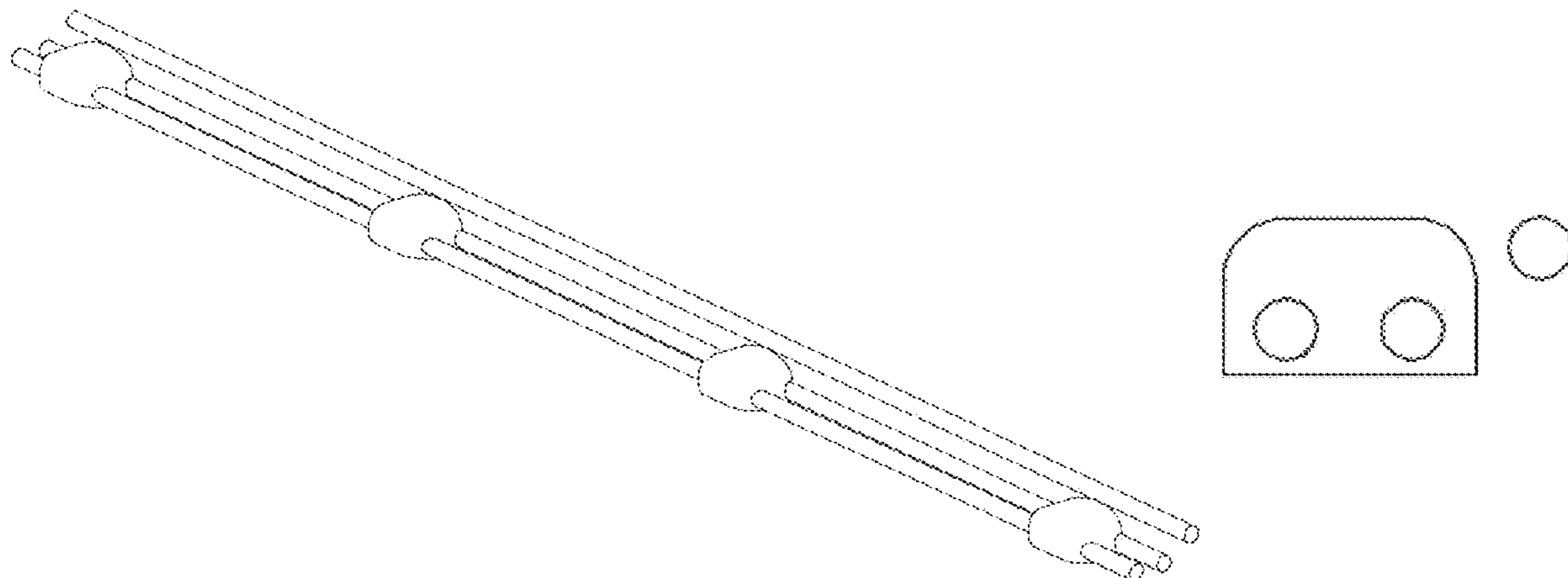
\* cited by examiner

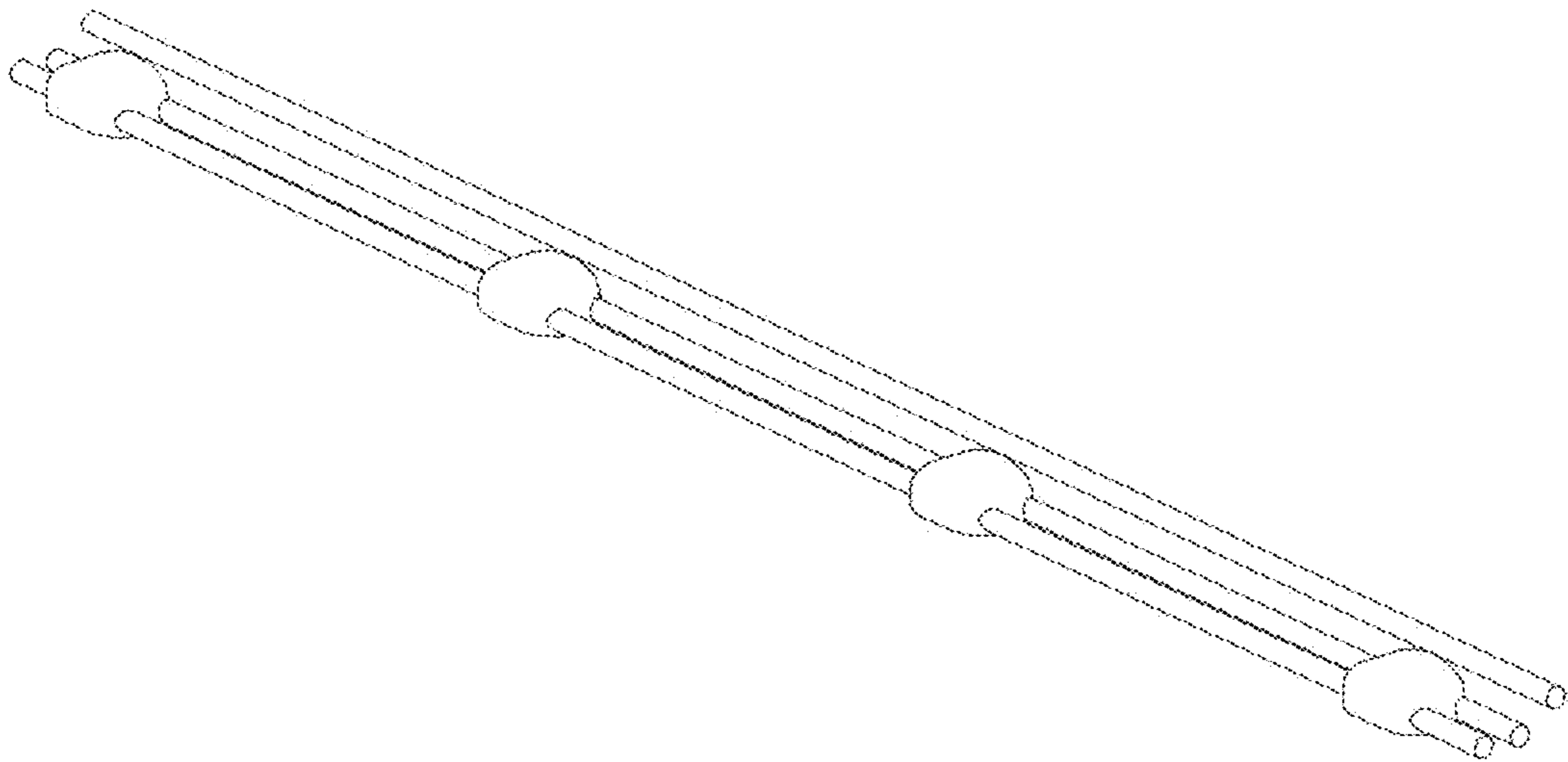
*Primary Examiner* — Clare E Heflin  
(74) *Attorney, Agent, or Firm* — Justin Lampel

(57) **CLAIM**  
The ornamental design for a LED light, as shown and described.

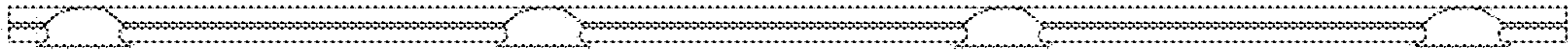
**DESCRIPTION**  
FIG. 1 is a perspective view of the LED light showing my new design;  
FIG. 2 is a front side view thereof;  
FIG. 3 is a rear side view thereof;  
FIG. 4 is a right side view thereof;  
FIG. 5 is a left side view thereof;  
FIG. 6 is a bottom plan view thereof; and,  
FIG. 7 is a top plan view thereof.

**1 Claim, 4 Drawing Sheets**

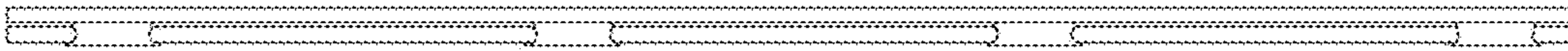




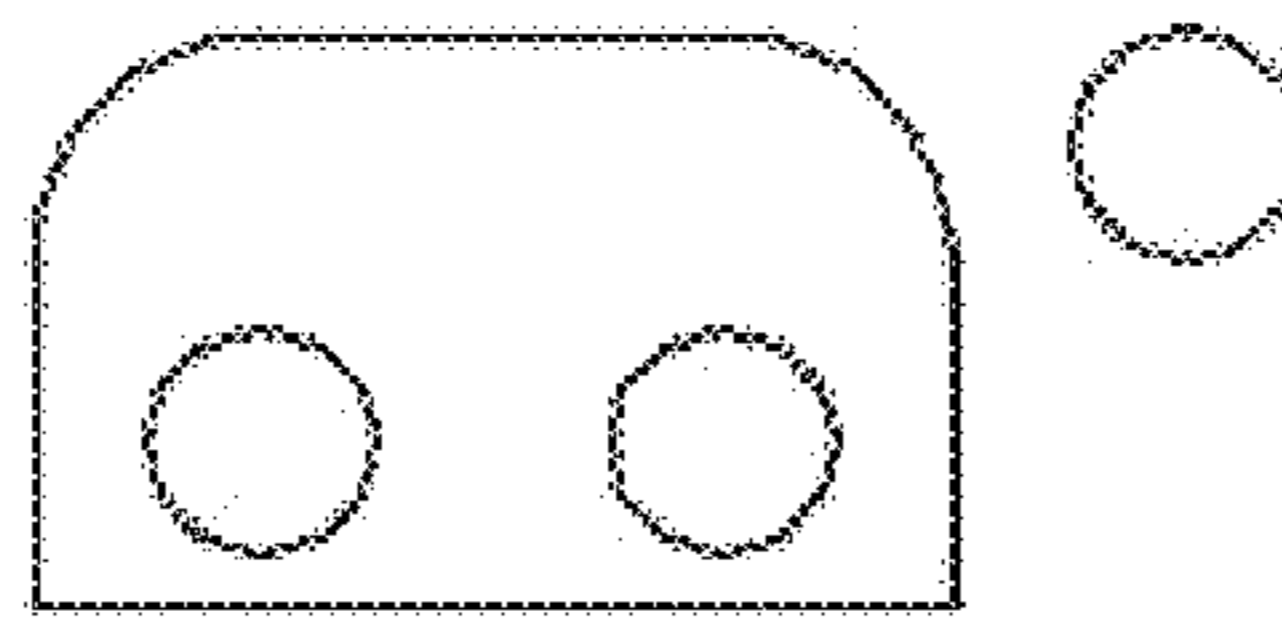
**FIG.1**



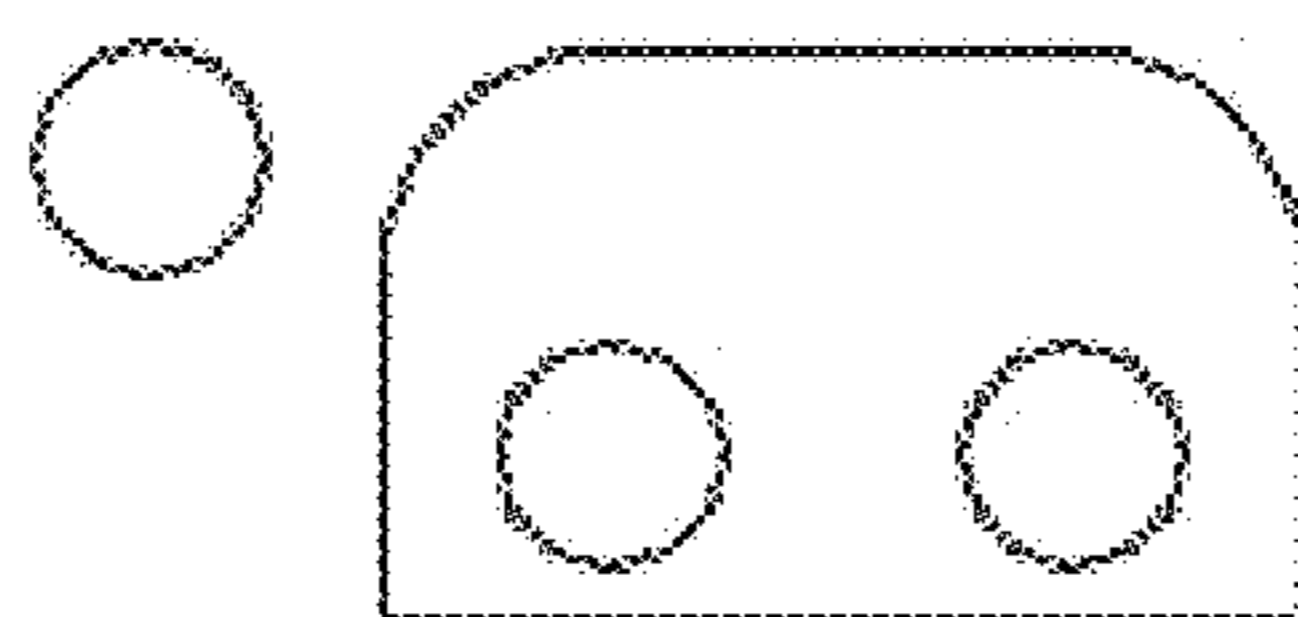
**FIG. 2**



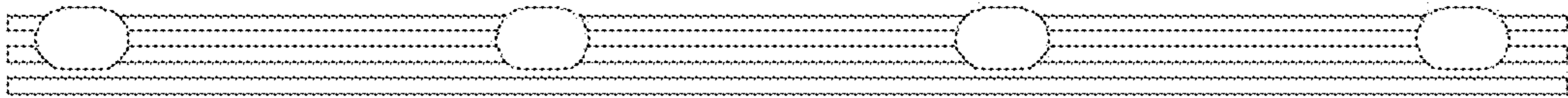
**FIG. 3**



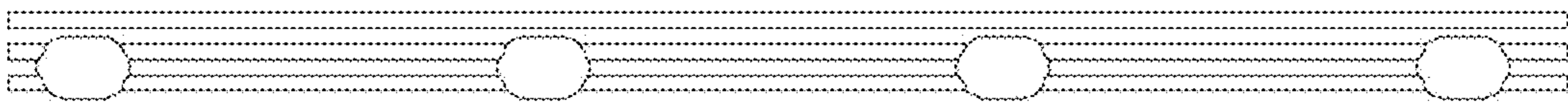
**FIG. 4**



**FIG. 5**



**FIG. 6**



**FIG. 7**