



US00D900355S

(12) **United States Design Patent** (10) **Patent No.:** **US D900,355 S**  
**Schrama et al.** (45) **Date of Patent:** **\*\* Oct. 27, 2020**

(54) **OPTICAL MODULE WITH AT LEAST ONE LIGHT EMITTING DIODE (LED)**  
(71) Applicant: **Lumileds LLC**, San Jose, CA (US)  
(72) Inventors: **Charles André Schrama**, San Jose, CA (US); **Mehdi Aas**, Eindhoven (NL)  
(73) Assignee: **Lumileds LLC**, San Jose, CA (US)  
(\*\*) Term: **15 Years**  
(21) Appl. No.: **29/694,993**  
(22) Filed: **Jun. 14, 2019**  
(51) **LOC (12) Cl.** ..... **26-03**  
(52) **U.S. Cl.**  
USPC ..... **D26/24**  
(58) **Field of Classification Search**  
USPC ..... D26/1, 24, 25, 28, 35, 80, 86, 120;  
D13/133, 180; 362/249.02, 249.04, 224,  
362/225, 227, 240  
CPC ..... F21L 4/00; F21L 4/02; F21L 4/025; F21L  
4/027; F21V 5/007; H01J 3/38; H01S  
3/034; H01S 5/022; H01S 5/02208; F21Y  
2115/10; F21S 2/005  
See application file for complete search history.

10,228,119 B2 \* 3/2019 Hong ..... F21V 29/74  
10,292,782 B2 \* 5/2019 Haverich ..... F21L 4/00  
D860,502 S \* 9/2019 Gregory ..... D26/80  
D861,922 S \* 10/2019 Kang ..... D26/1  
2006/0262533 A1 \* 11/2006 Lin ..... F21S 4/10  
362/249.01  
2010/0002450 A1 \* 1/2010 Pachler ..... H01L 33/58  
362/311.02  
2012/0020086 A1 \* 1/2012 Kataoka ..... F21V 19/0055  
362/249.02

(Continued)

*Primary Examiner* — Wan Laymon  
*Assistant Examiner* — Clint A Samuel  
(74) *Attorney, Agent, or Firm* — Seyfarth Shaw LLP

(57) **CLAIM**

The ornamental design for an optical module with at least one light emitting diode (LED), as shown and described.

**DESCRIPTION**

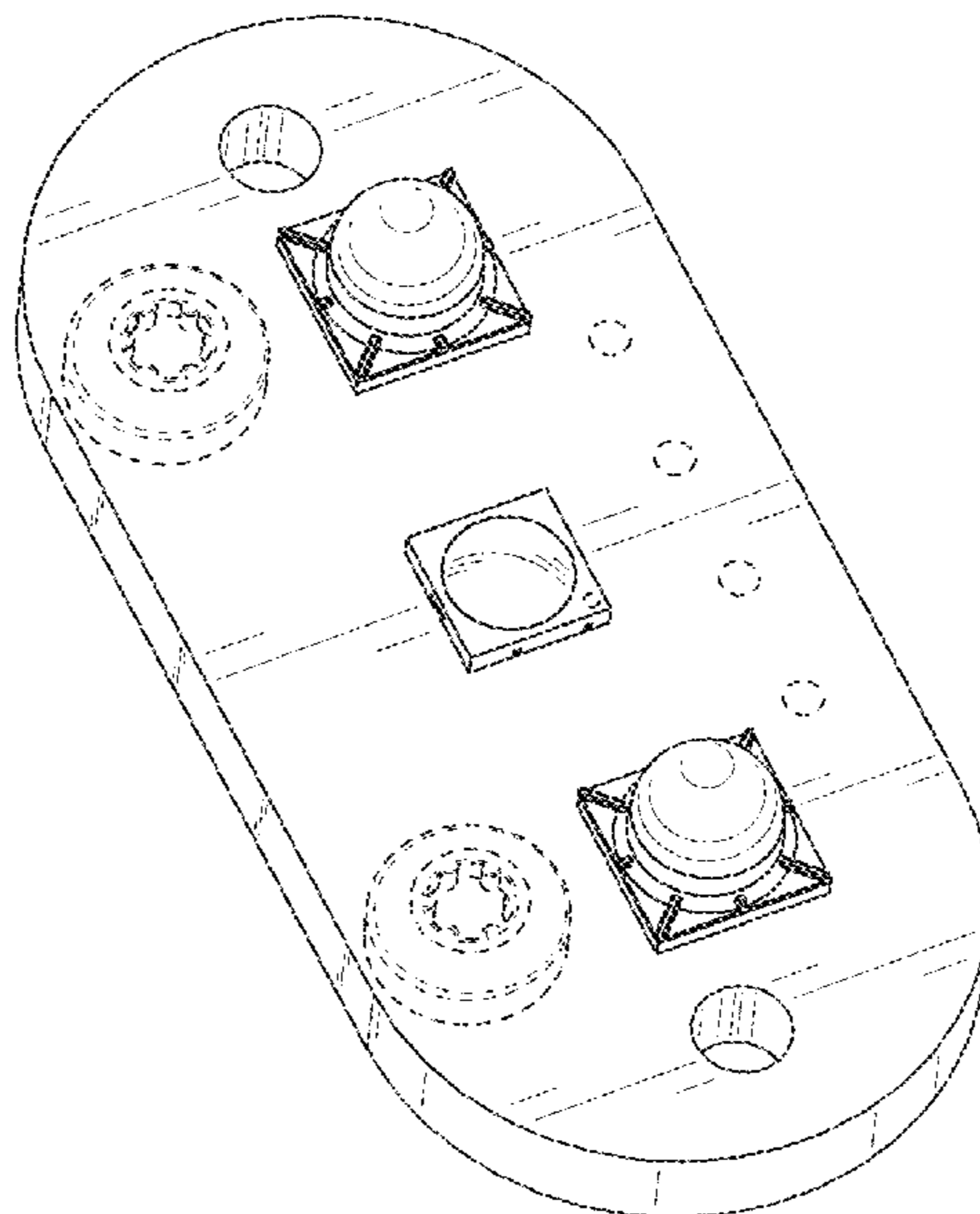
FIG. 1 is a top perspective view of an optical module with at least one light emitting diode (LED), showing our new invention;  
FIG. 2 is a bottom perspective view of the optical module with at least one LED of FIG. 1;  
FIG. 3 is a first side view of the optical module with at least one LED of FIG. 1;  
FIG. 4 is a second side view of the optical module with at least one LED of FIG. 1;  
FIG. 5 is a third side view of the optical module with at least one LED of FIG. 1;  
FIG. 6 is a fourth side view of the optical module with at least one LED of FIG. 1;  
FIG. 7 is a top view of the optical module with at least one LED of FIG. 1; and,  
FIG. 8 is a bottom view of the optical module with at least one LED of FIG. 1.  
The broken lines in the drawings form no part of the claimed design.

(56) **References Cited**

U.S. PATENT DOCUMENTS

5,893,633 A \* 4/1999 Uchio ..... F21K 9/00  
257/E25.02  
D592,162 S \* 5/2009 Sugimoto ..... D13/180  
D726,347 S \* 4/2015 Soong ..... D26/1  
D727,859 S \* 4/2015 Freeman ..... D13/180  
D797,362 S \* 9/2017 Deyaf ..... D26/120  
D802,176 S \* 11/2017 Tan ..... D26/1  
9,899,582 B2 \* 2/2018 Min ..... H01L 33/486  
D812,256 S \* 3/2018 Huntley ..... D26/28  
9,939,144 B2 \* 4/2018 Kwak ..... F21S 2/005  
D843,613 S \* 3/2019 Hodohara ..... D26/1

**1 Claim, 8 Drawing Sheets**



(56)

**References Cited**

U.S. PATENT DOCUMENTS

2015/0369459 A1\* 12/2015 Huang ..... F21S 4/10  
362/311.02  
2019/0154952 A1\* 5/2019 Zheng ..... G02B 7/04  
2019/0227338 A1\* 7/2019 Bachar ..... G02B 27/646  
2020/0124248 A1\* 4/2020 Kim ..... G02B 3/04

\* cited by examiner

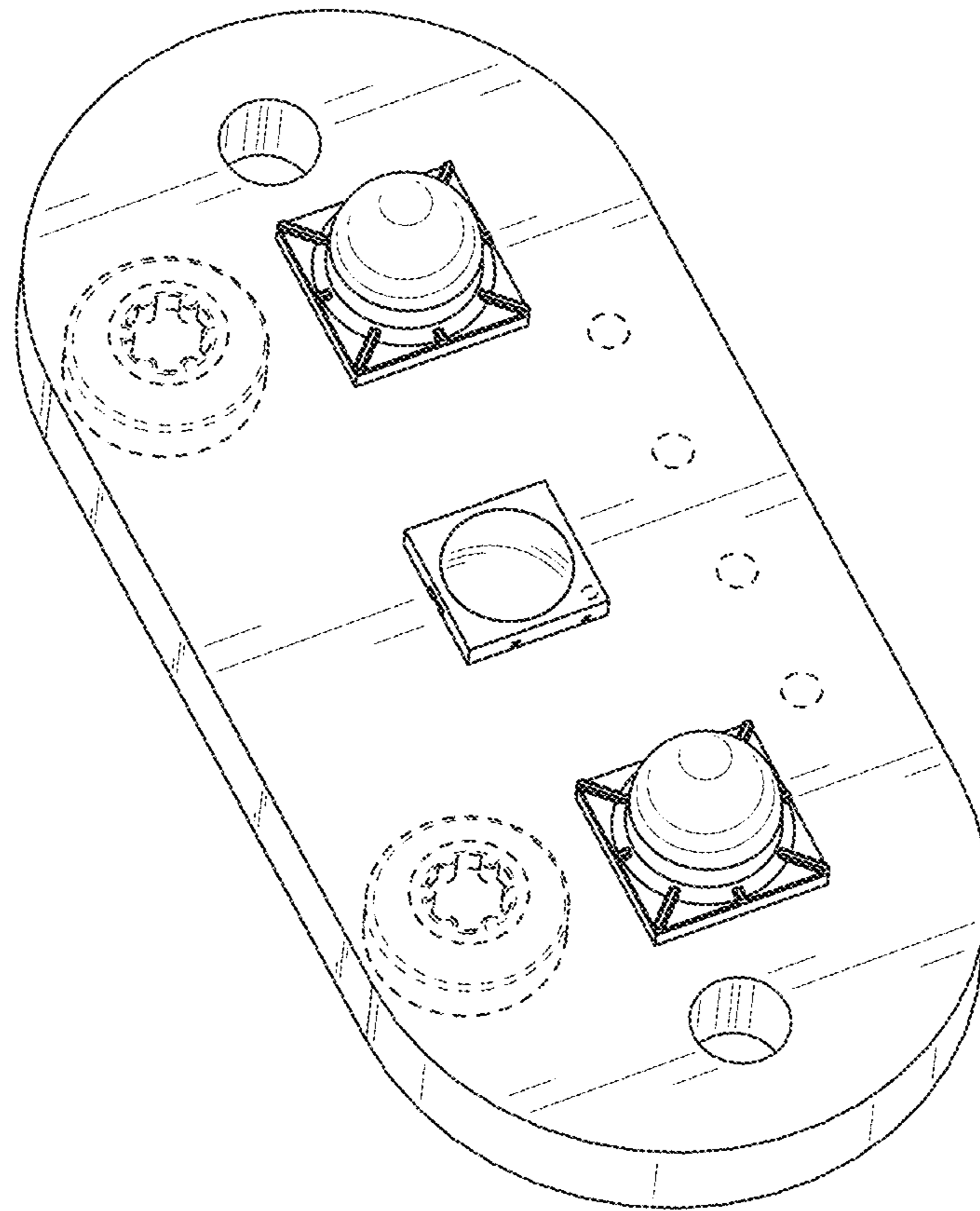


FIG. 1

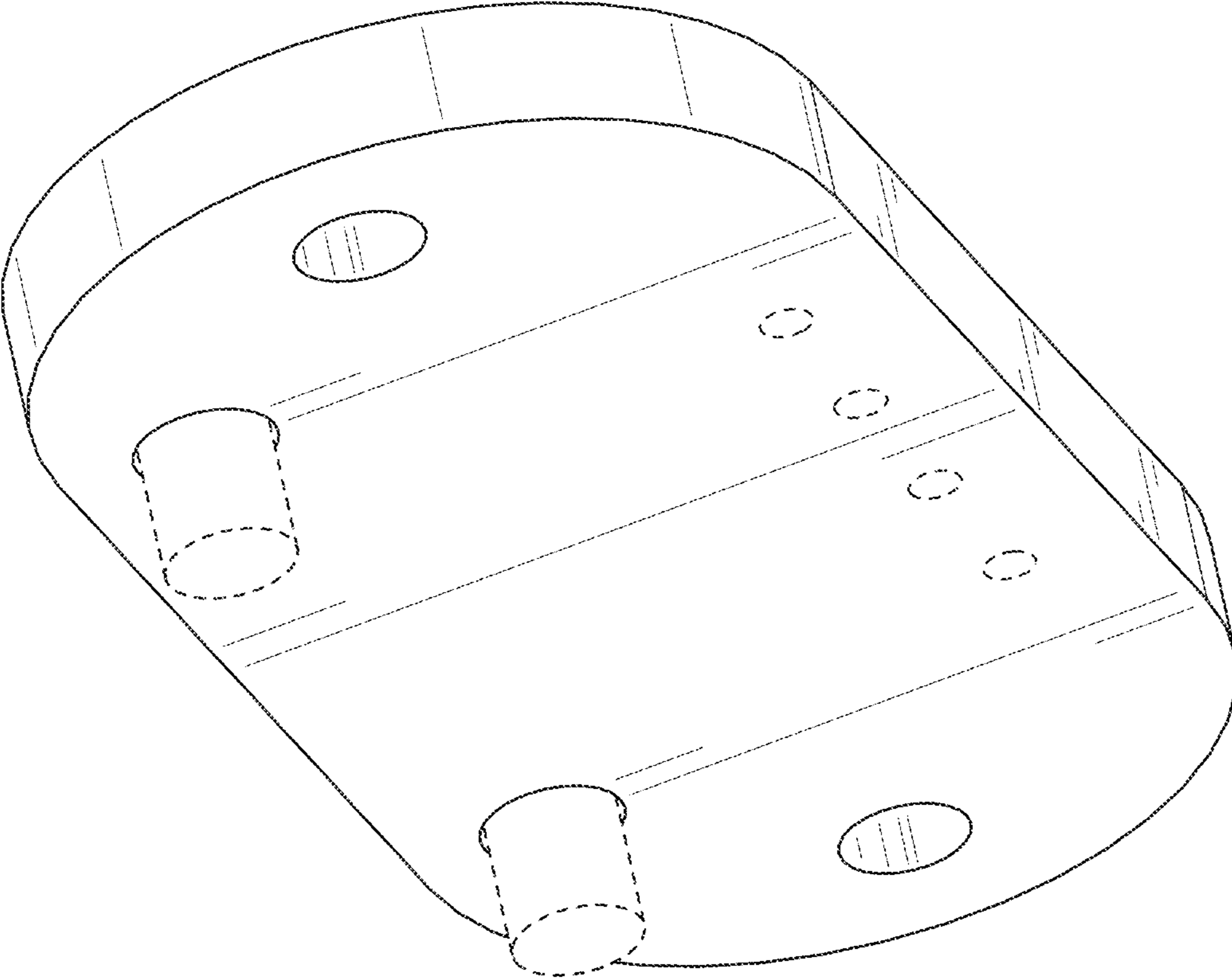


FIG. 2

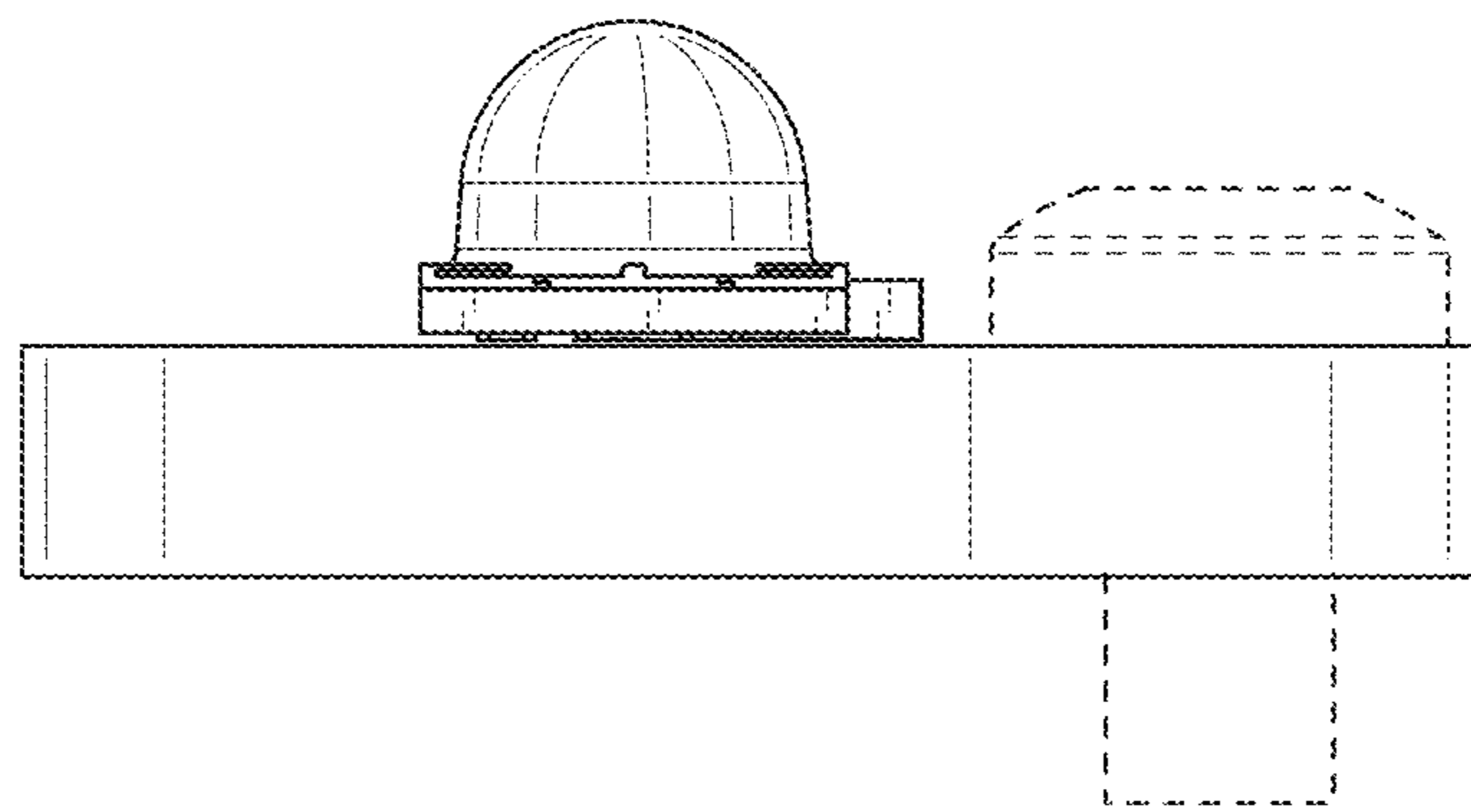


FIG. 3

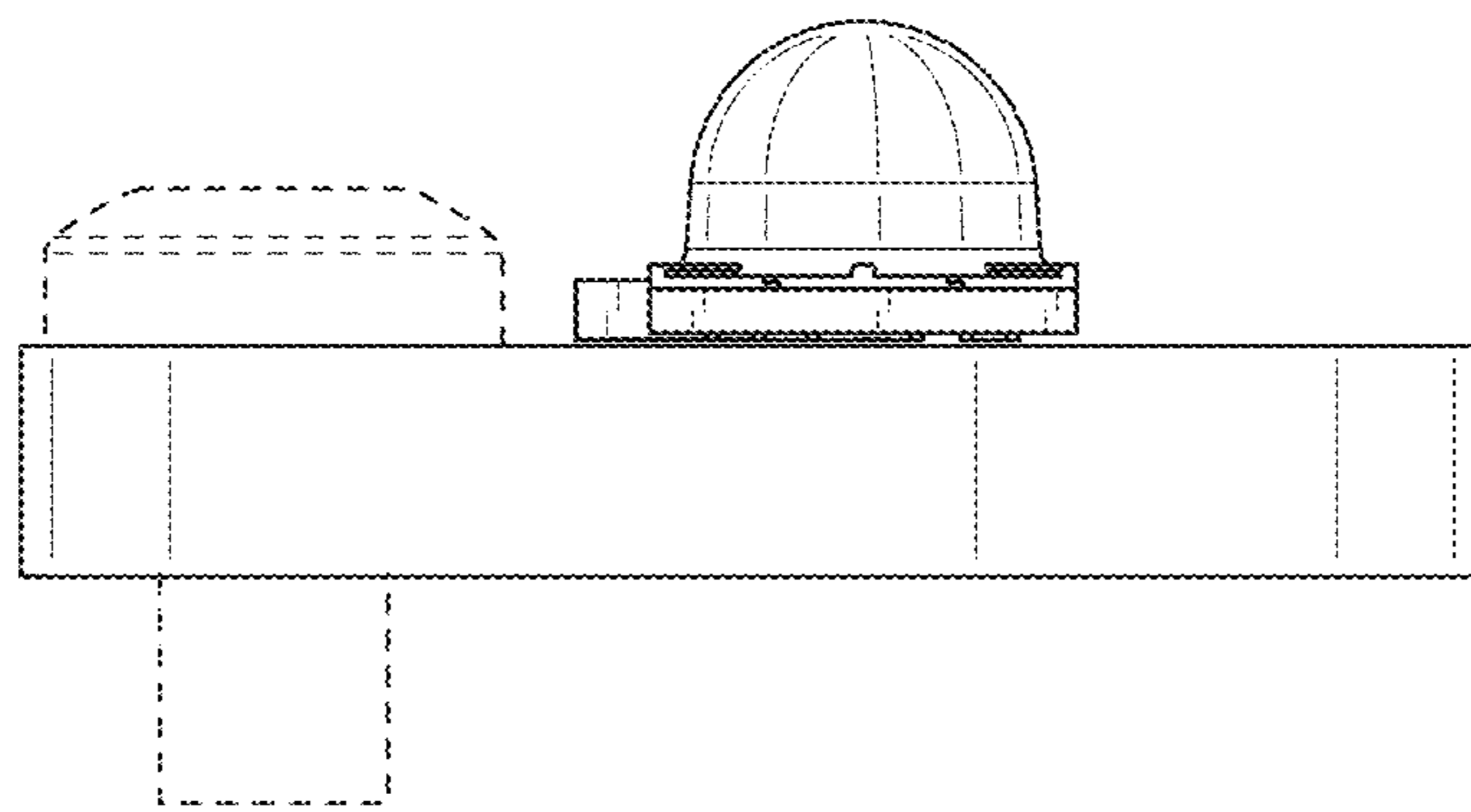


FIG. 4

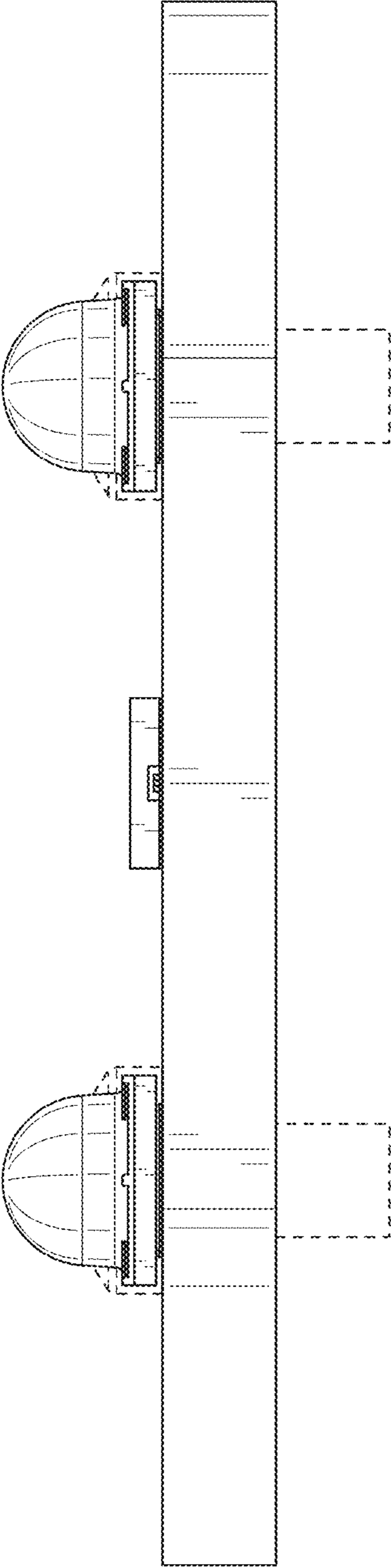


FIG. 5

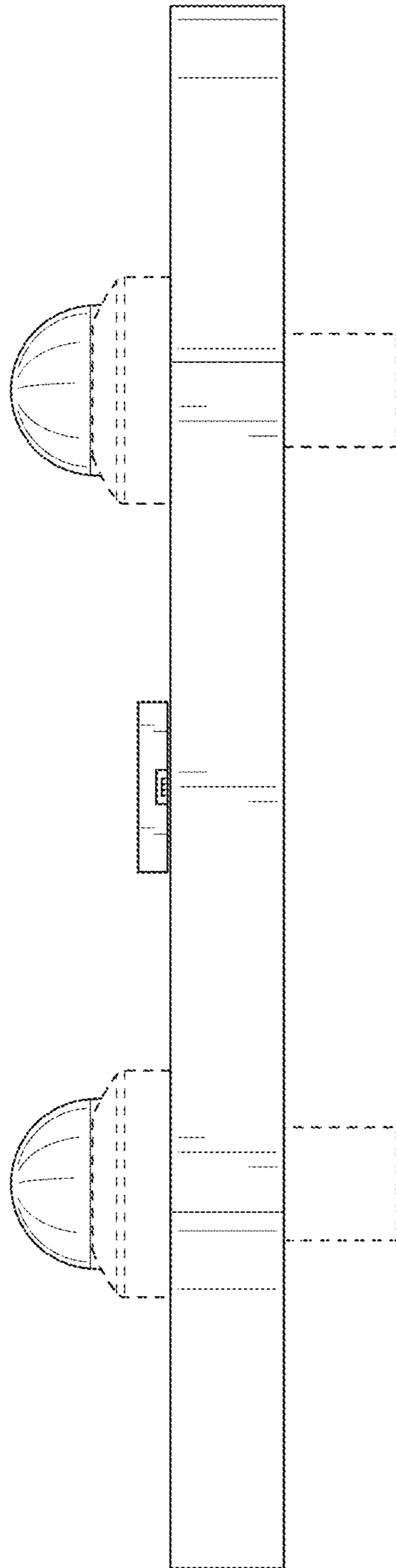


FIG. 6



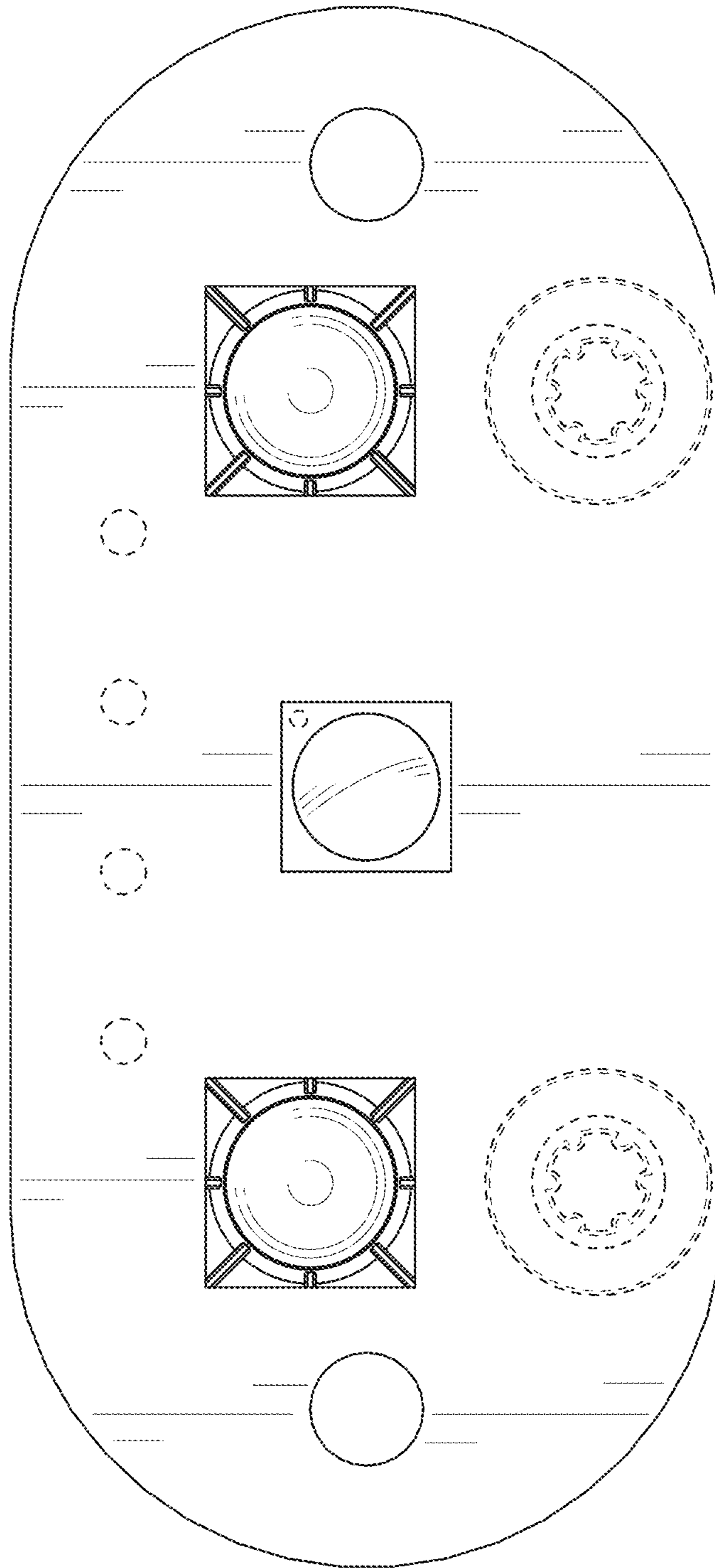


FIG. 7

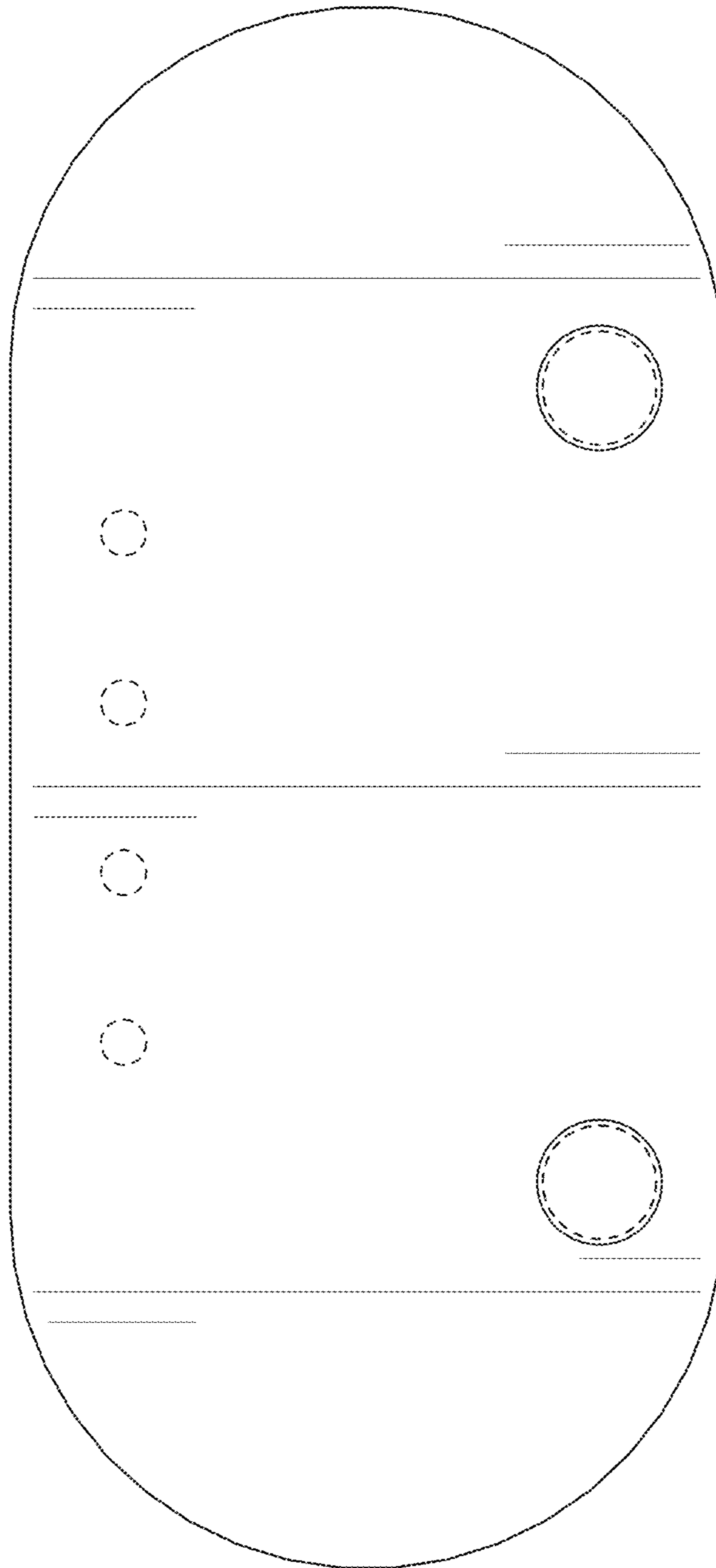


FIG. 8