



US00D900353S

(12) **United States Design Patent** (10) **Patent No.:** **US D900,353 S**
Yi et al. (45) **Date of Patent:** **** Oct. 27, 2020**

(54) **LED LIGHT**
(71) Applicant: **Shenzhen Flashine Lighting Co., Ltd.**,
Shenzhen (CN)
(72) Inventors: **Shenhui Yi**, Linxiang (CN); **Bo She**,
Bazhong (CN)
(73) Assignee: **Shenzhen Flashine Lighting Co., Ltd.**,
Shenzhen (CN)

D633,231 S * 2/2011 Morrison D26/24
D647,227 S * 10/2011 Kaule D26/24
D690,455 S * 9/2013 Hagenauer D26/93
D736,449 S * 8/2015 Getty D26/110
D777,367 S * 1/2017 Ma D26/104
D854,226 S * 7/2019 Lin D26/104
D858,860 S * 9/2019 Lin D26/106
D861,967 S * 10/2019 Lin D26/110
D866,815 S * 11/2019 Wang D26/24
D870,325 S * 12/2019 Zheng D26/24
D878,639 S * 3/2020 Luo D26/24
2018/0335185 A1 * 11/2018 Boulanger H05B 45/37
2019/0086957 A1 * 3/2019 Fleisig G06F 13/4081

(**) Term: **15 Years**

* cited by examiner

(21) Appl. No.: **29/671,958**

Primary Examiner — Wan Laymon

(22) Filed: **Nov. 30, 2018**

Assistant Examiner — Clint A Samuel

(51) **LOC (12) Cl.** **26-03**

(74) *Attorney, Agent, or Firm* — Dragon Sun Law Firm,
PC; Jinggao Li, Esq.

(52) **U.S. Cl.**
USPC **D26/24**

(58) **Field of Classification Search**
USPC D26/1, 24, 34, 36, 44, 49, 51, 61, 93,
D26/104, 106, 123, 124, 137; D10/104.1,
D10/107, 114.1, 114.2, 114.8; 362/362,
362/641
CPC F21V 21/00; F21V 21/30; F21V 15/01;
F21V 7/00; F21V 7/04; F21V 7/043;
F21V 7/045; F21V 7/046; F21V 37/0095;
F21S 9/00; F21S 9/022; F21S 8/35; F21S
10/00; F21S 10/007

(57) **CLAIM**

The ornamental design for a LED light, as shown and described.

See application file for complete search history.

DESCRIPTION

FIG. 1 is a perspective view of an LED light showing our new design;
FIG. 2 is a left view thereof;
FIG. 3 is a right view thereof;
FIG. 4 is a rear view thereof;
FIG. 5 is a front view thereof;
FIG. 6 is a top view thereof; and,
FIG. 7 is a bottom view thereof.

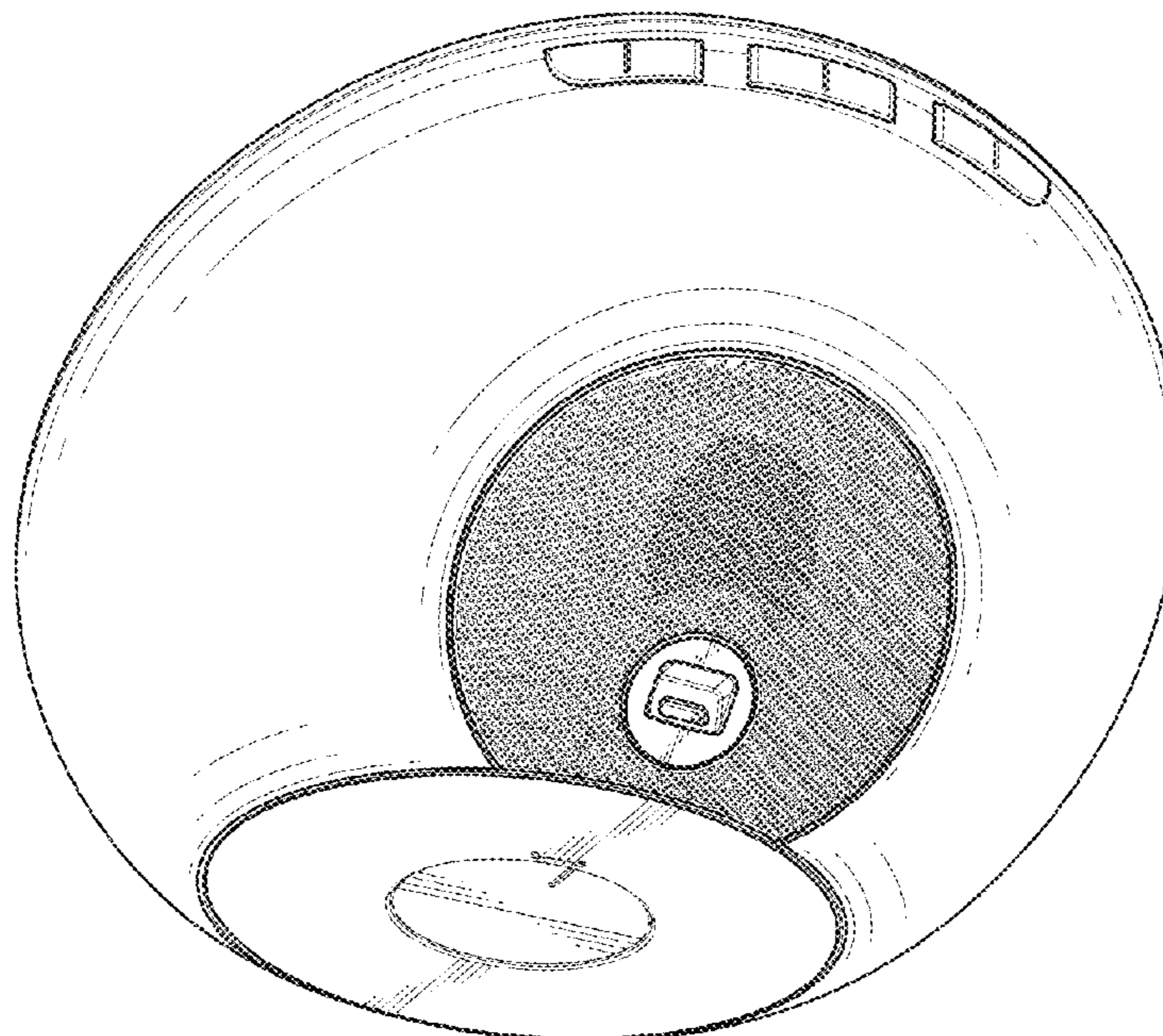
The broken lines are for environmental proposes only and form no part of the claimed design.

(56) **References Cited**

U.S. PATENT DOCUMENTS

D469,207 S * 1/2003 Chang D26/104
D583,967 S * 12/2008 Leunis D26/24
7,562,995 B1 * 7/2009 Levine F21S 8/03
362/191
D607,600 S * 1/2010 Keith D26/104

1 Claim, 7 Drawing Sheets



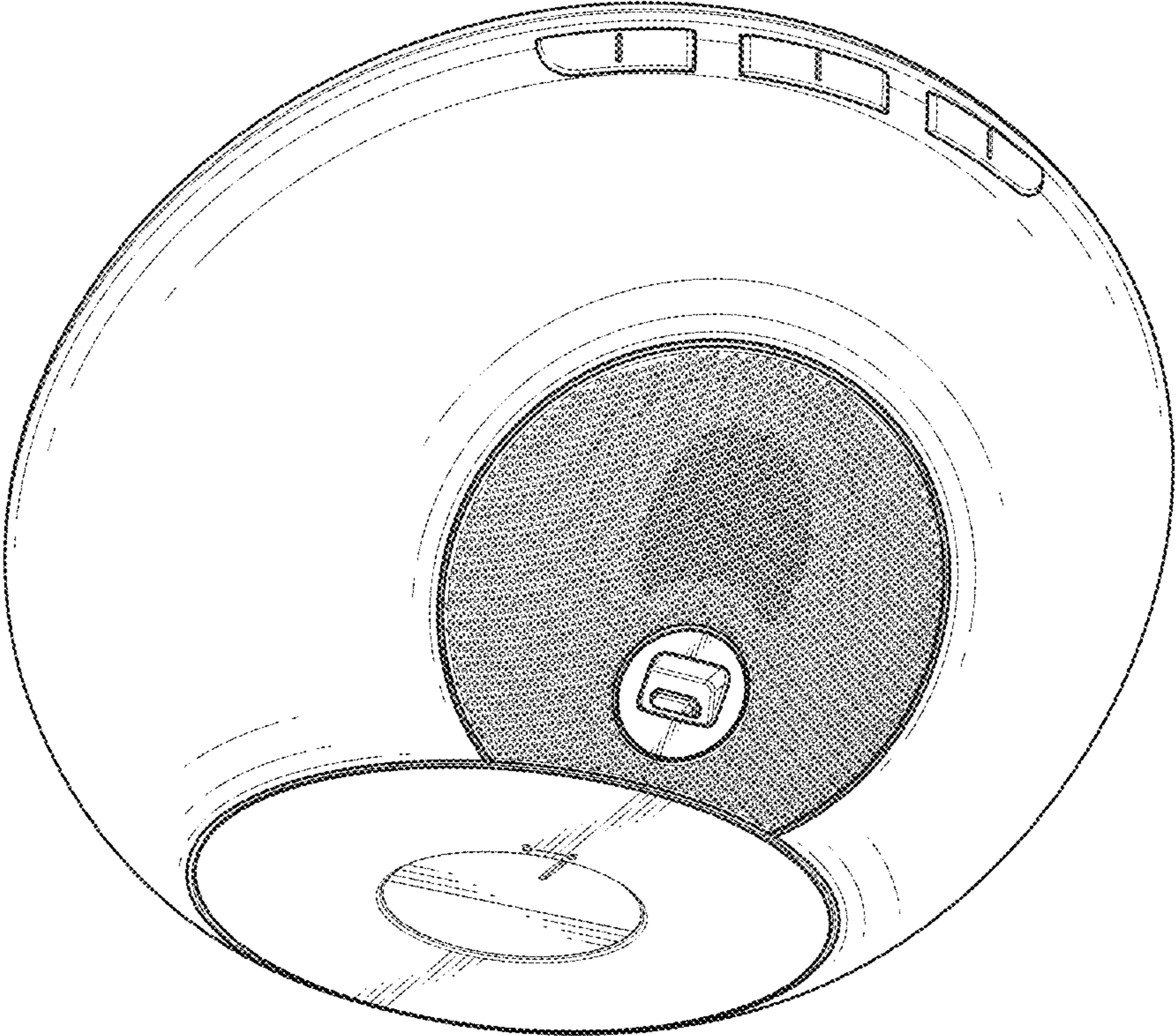


FIG. 1

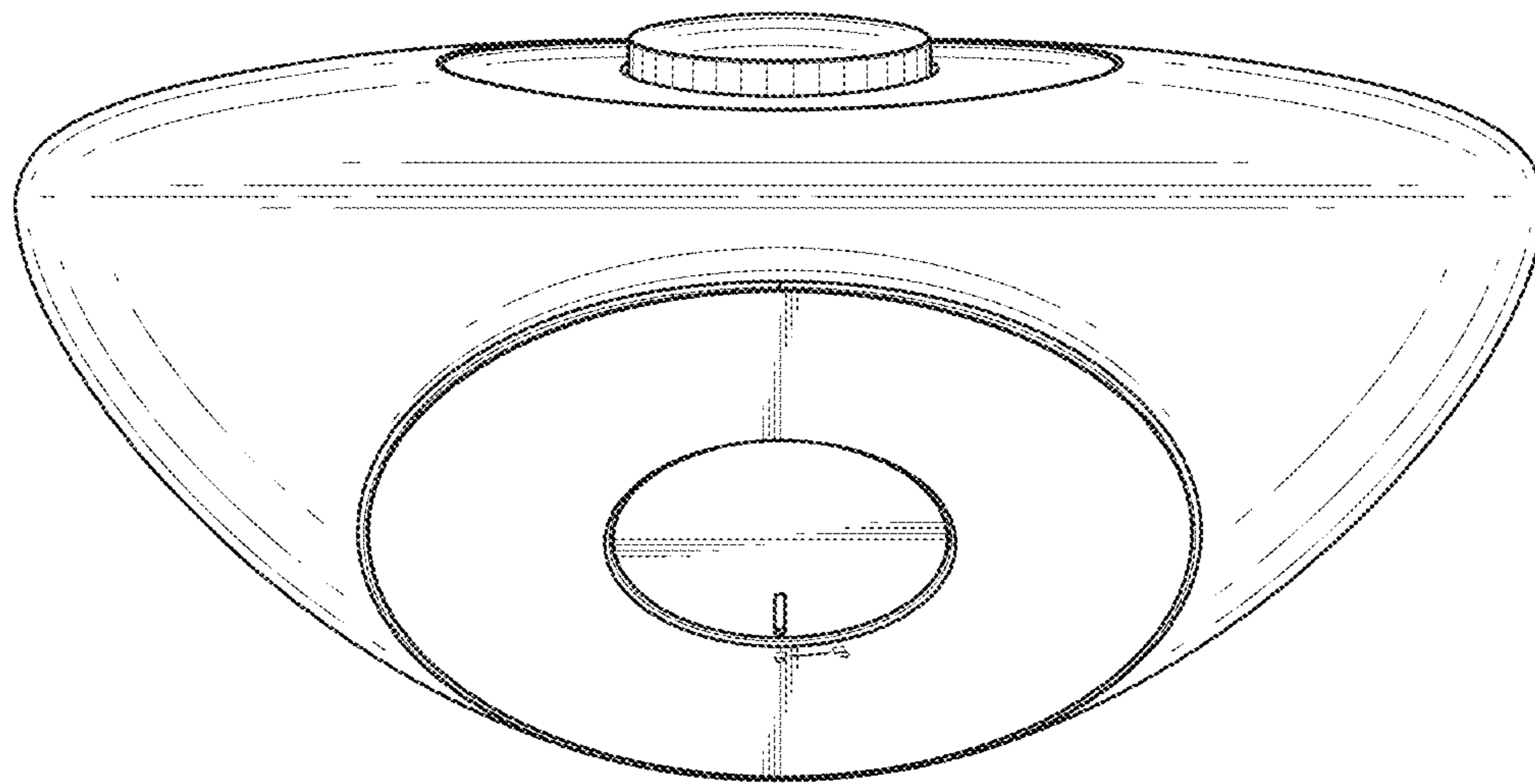


FIG. 2

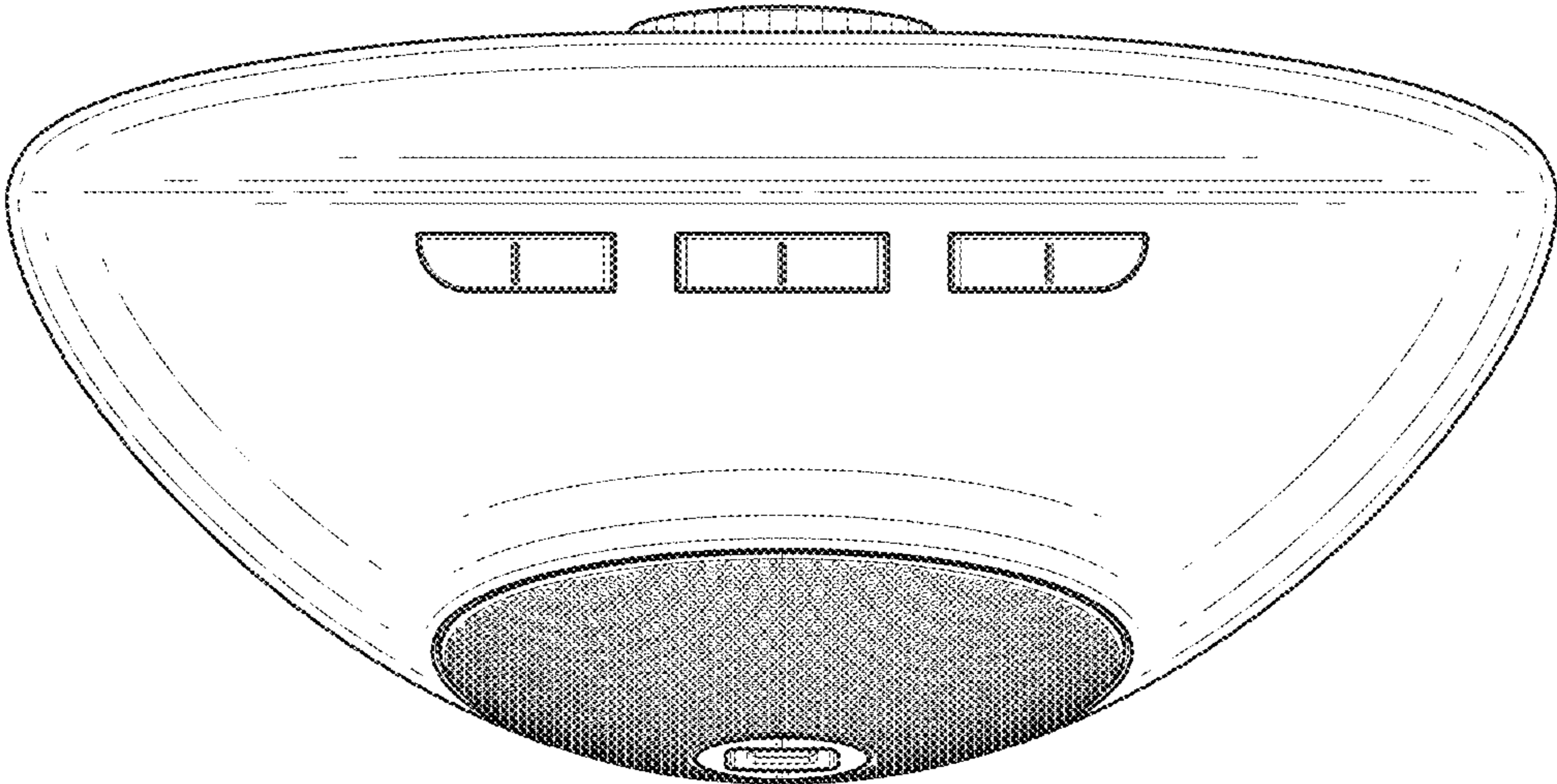


FIG. 3

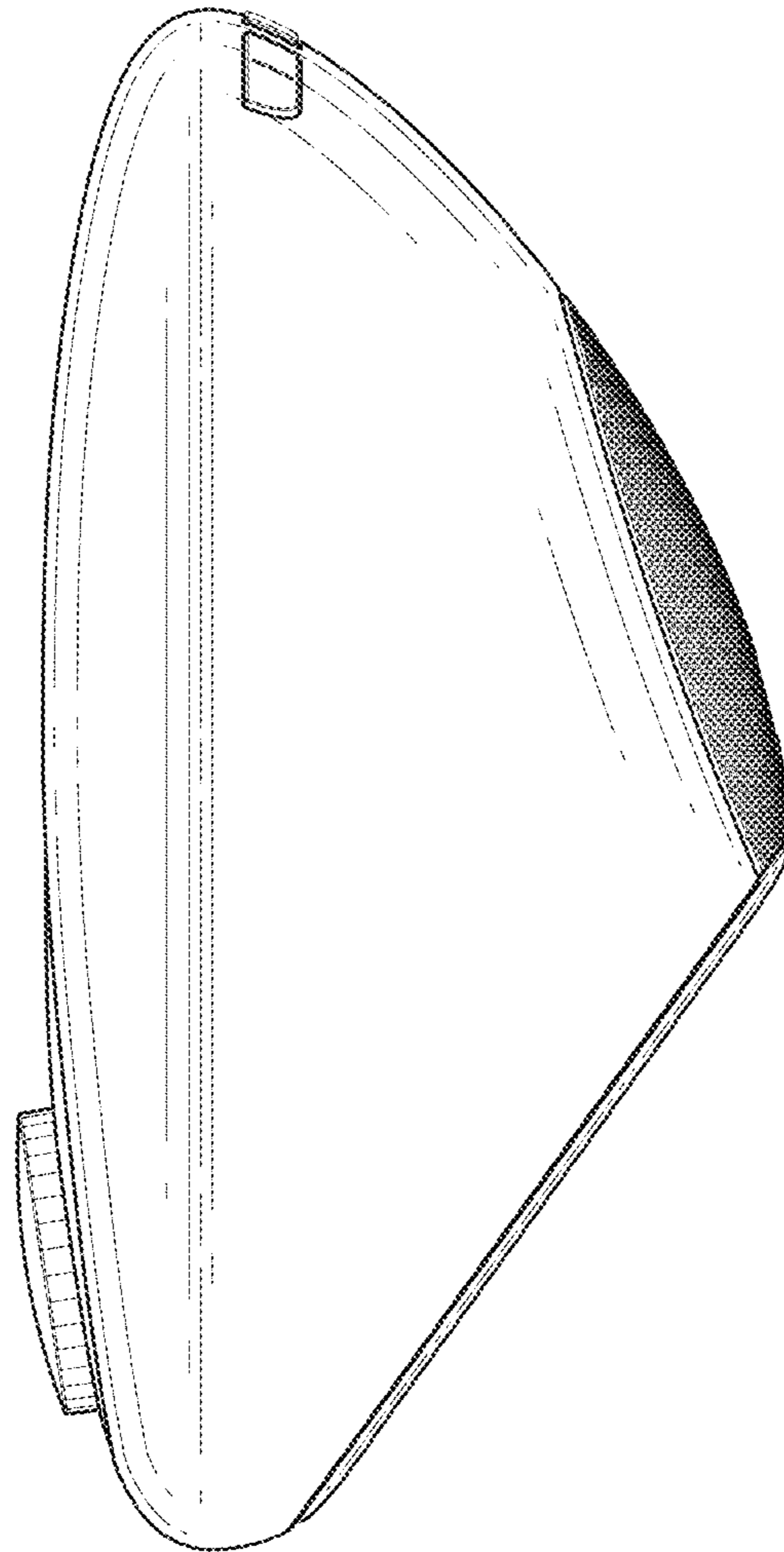


FIG. 4

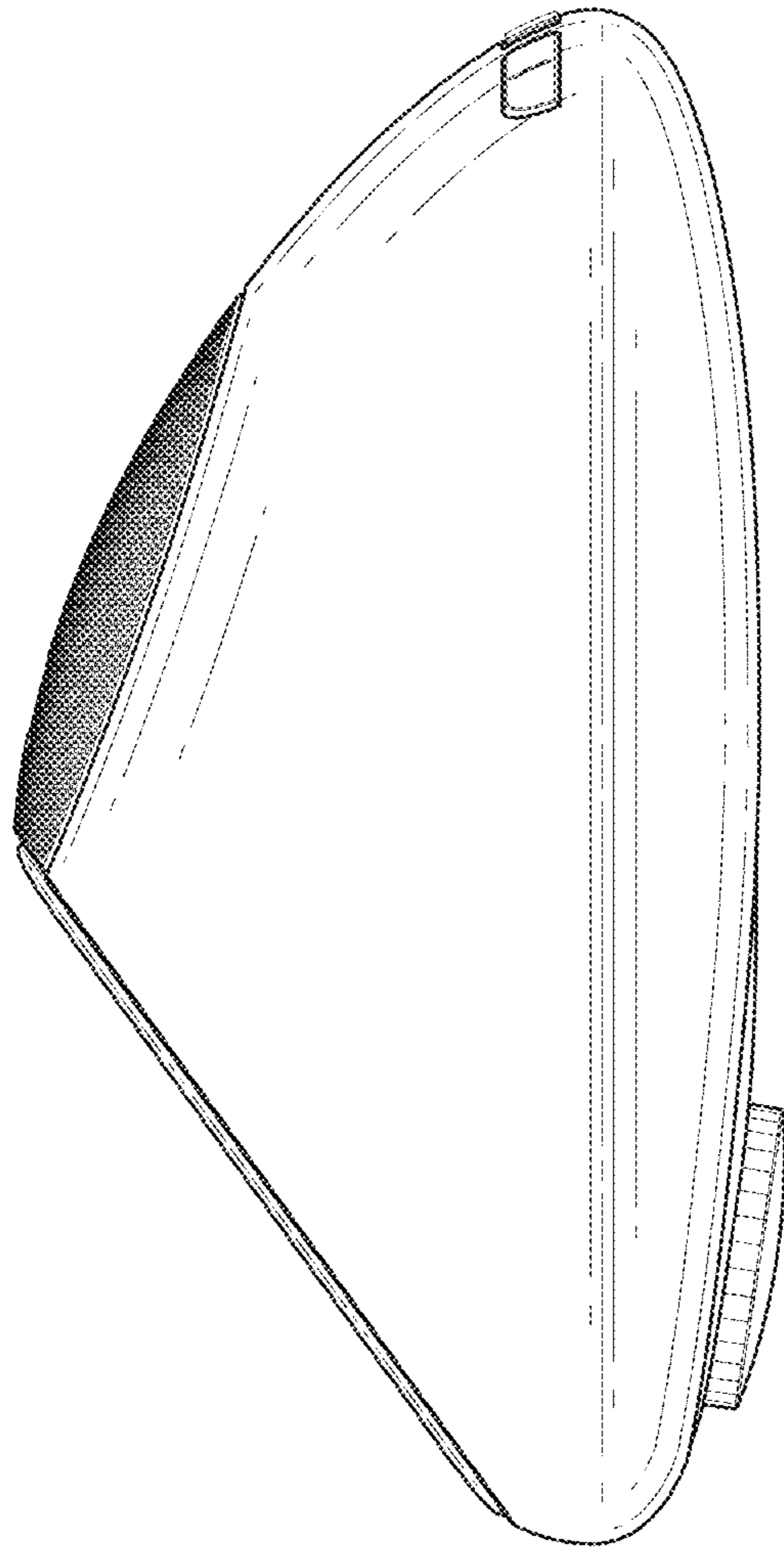


FIG. 5

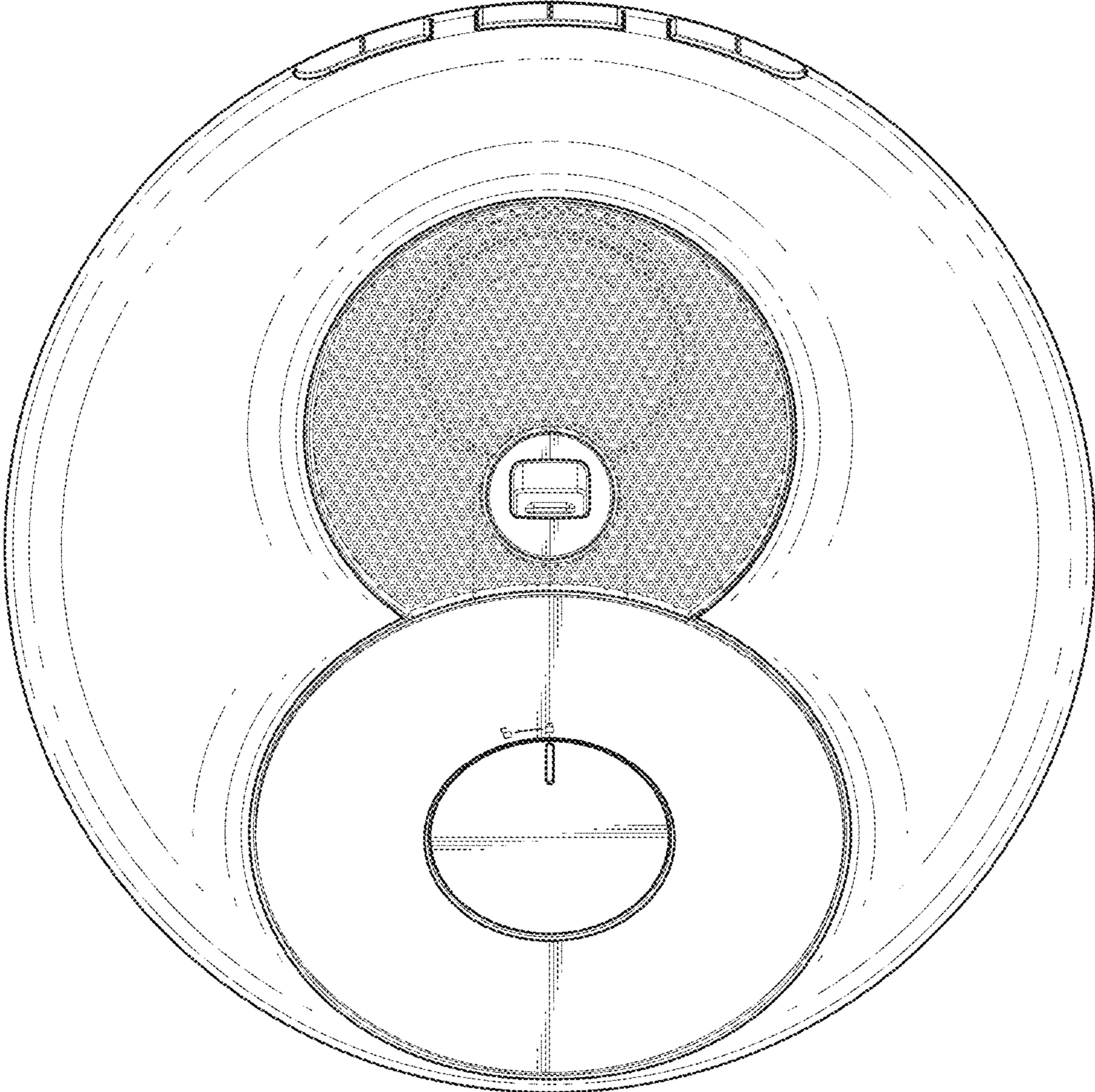


FIG. 6

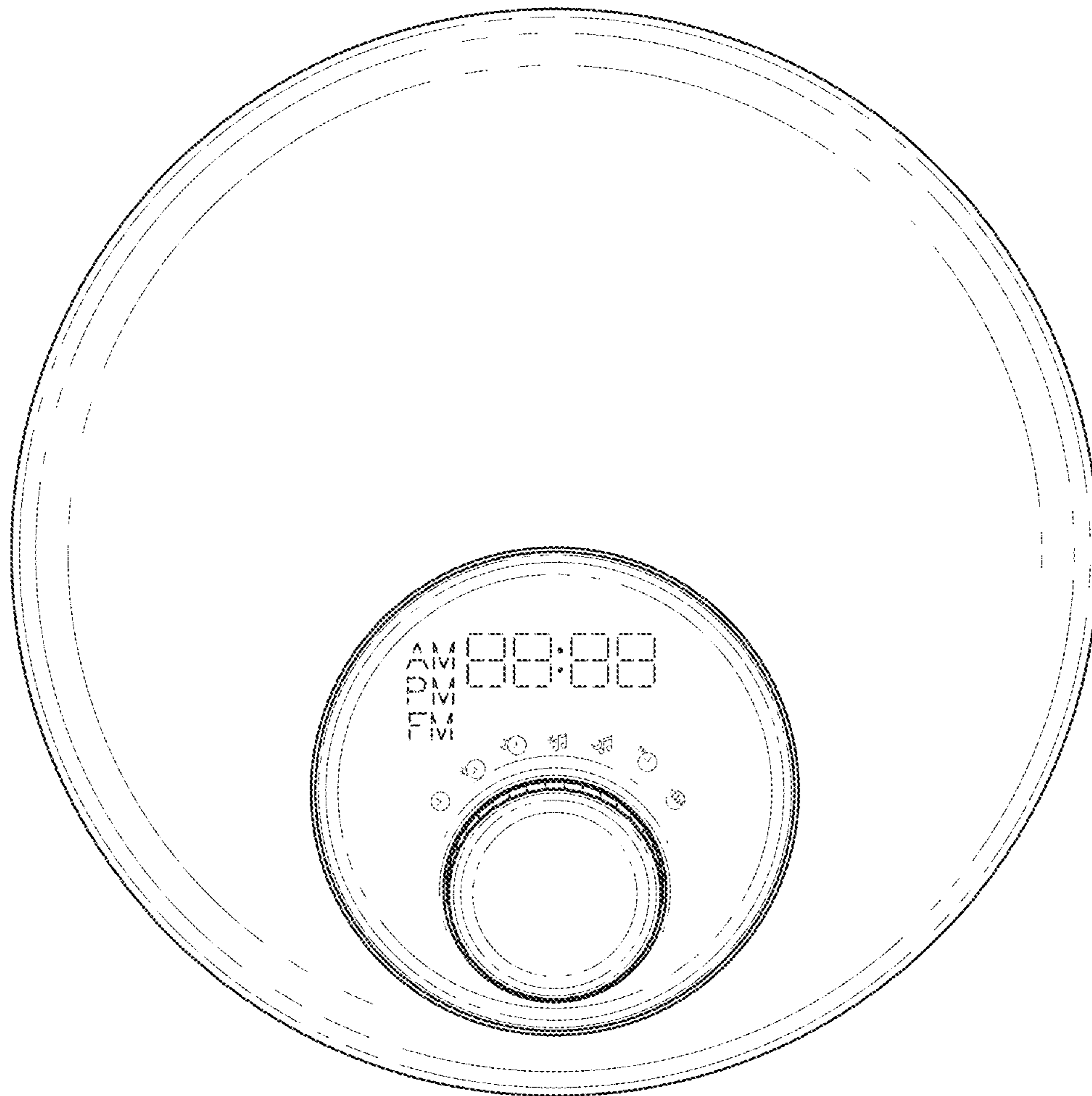


FIG. 7