



US00D900352S

(12) **United States Design Patent**  
**Elwell**

(10) **Patent No.:** **US D900,352 S**

(45) **Date of Patent:** **\*\* Oct. 27, 2020**

(54) **CANDLE HOLDER**

(71) Applicant: **Jean D. Elwell**, Roscoe, IL (US)

(72) Inventor: **Jean D. Elwell**, Roscoe, IL (US)

(\*\*) Term: **15 Years**

(21) Appl. No.: **29/729,936**

(22) Filed: **Mar. 31, 2020**

**Related U.S. Application Data**

(62) Division of application No. 29/705,342, filed on Sep. 11, 2019, now Pat. No. Des. 887,036.

(51) **LOC (12) Cl.** ..... **26-01**

(52) **U.S. Cl.**  
USPC ..... **D26/13**

(58) **Field of Classification Search**  
USPC ..... D26/9, 10, 11, 13, 23; D3/302, 304;  
D6/512, 524, 525, 531, 535, 536, 540,  
D6/556; 248/309.1, 311.2, 310;  
211/88.01  
CPC ..... F21V 35/00; A47K 2201/02; F21S 8/036;  
F21W 2121/00; F21W 2121/004; A47B  
81/007  
See application file for complete search history.

(56) **References Cited**

**U.S. PATENT DOCUMENTS**

- 4,858,873 A \* 8/1989 Wilmoth ..... A47G 23/03  
248/346.11
- D316,501 S \* 4/1991 Pinette, Jr. .... D7/624.1
- 5,028,026 A 7/1991 Philipps et al.
- D371,054 S \* 6/1996 Henderson ..... D14/191
- D371,735 S 7/1996 Motta
- D386,343 S \* 11/1997 Moore ..... D6/532
- D426,902 S \* 6/2000 Hardy ..... D26/11
- 6,092,772 A 7/2000 Garcia et al.
- D432,837 S \* 10/2000 Gastelum ..... D6/540
- D447,012 S \* 8/2001 Owens ..... D7/620

- D456,918 S \* 5/2002 Elkins, Jr. .... D26/13
- D540,126 S \* 4/2007 Leahy ..... D6/368
- 7,651,063 B2 1/2010 Jensen
- D661,826 S \* 6/2012 Jorgensen ..... D26/9
- D732,844 S \* 6/2015 Georgeson ..... D6/524
- D810,679 S \* 2/2018 Patton ..... D13/108
- D843,021 S \* 3/2019 Xiang ..... D26/13
- D856,973 S \* 8/2019 Jiang ..... D14/209

(Continued)

*Primary Examiner* — Shannon W Morgan

*Assistant Examiner* — Keith Frank

(74) *Attorney, Agent, or Firm* — Scherrer Patent & Trademark Law, P.C.; Stephen T. Scherrer; Monique A. Morneault

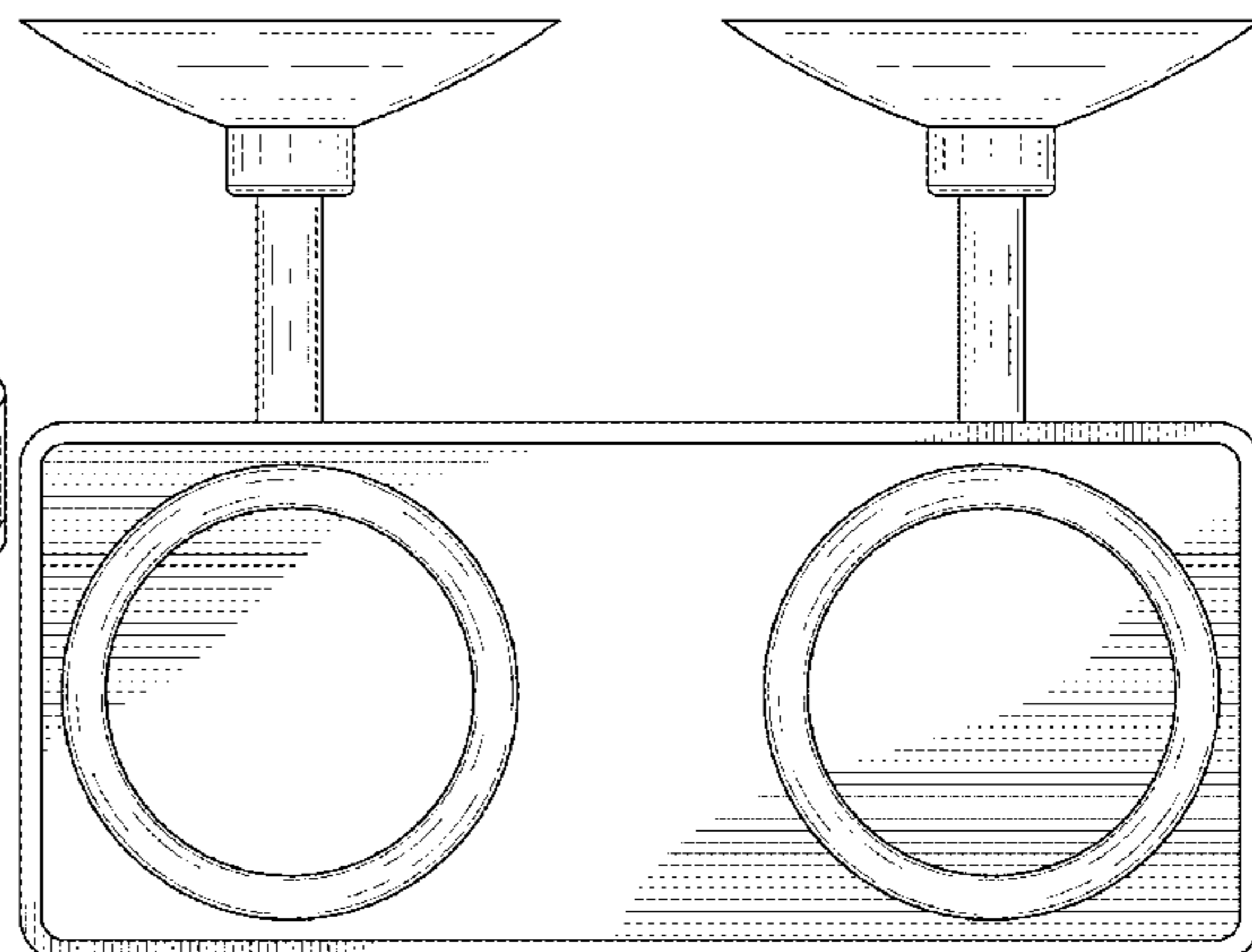
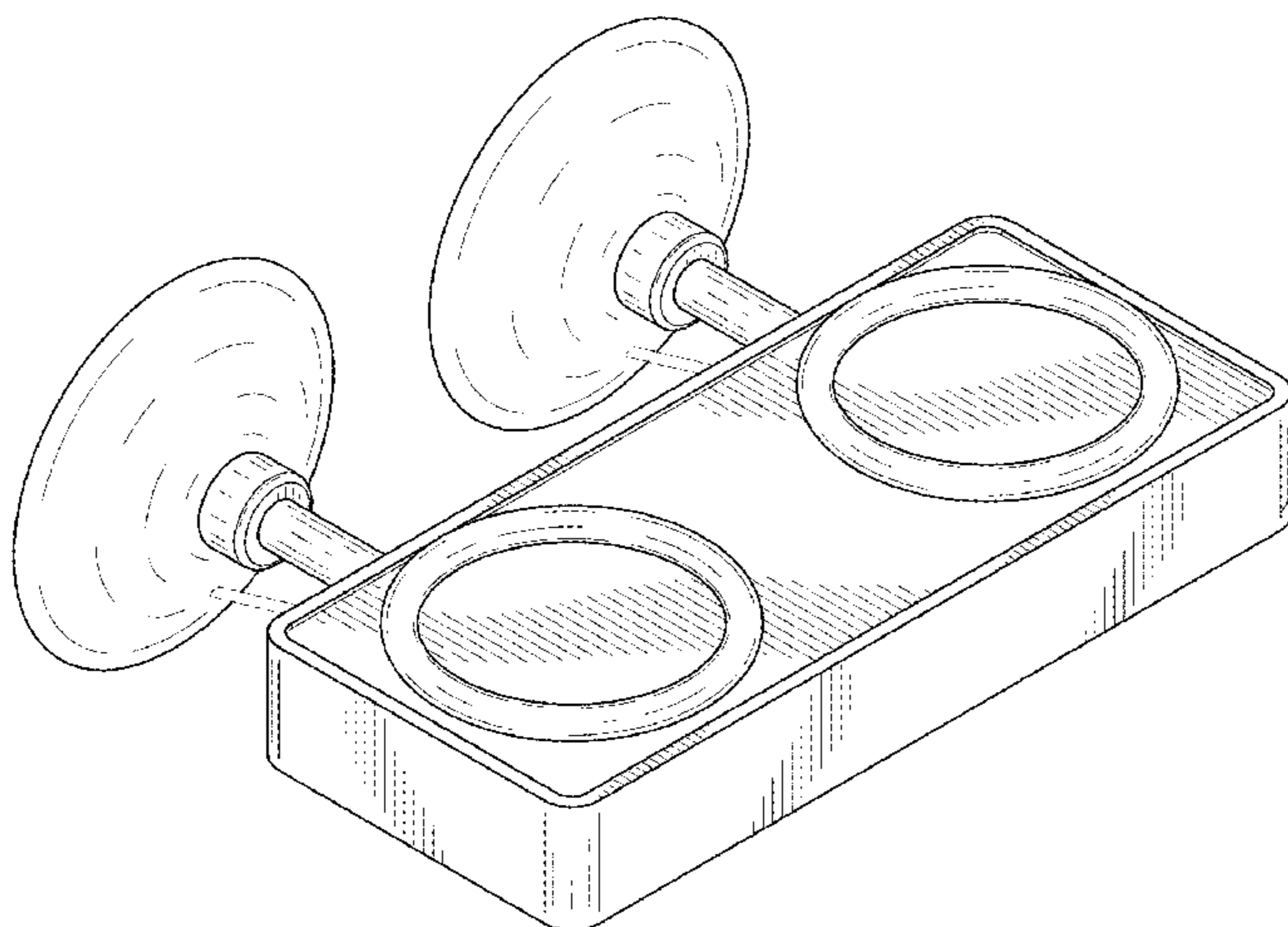
(57) **CLAIM**

The ornamental design for a candle holder, as shown and described.

**DESCRIPTION**

FIG. 1 is a top perspective view of a candle holder showing my new design;  
 FIG. 2 is a bottom perspective view thereof;  
 FIG. 3 is a top plan view thereof;  
 FIG. 4 is a bottom plan view thereof;  
 FIG. 5 is a left side elevation view thereof;  
 FIG. 6 is a front elevation view thereof; and  
 FIG. 7 is a rear elevation view thereof.  
 FIG. 8 is a top plan view of the candle holder thereof shown with symbolic break in broken lines, any portion of the article between the broken lines form no part of the claimed design; and,  
 FIG. 9 is a front elevation view of the candle holder thereof shown with symbolic break in broken lines, any portion of the article between the broken lines form no part of the claimed design. ps The broken lines in the drawings showing the candle holder illustrate the portions of the candle holder that form no part of the claimed design.

**1 Claim, 4 Drawing Sheets**



(56)

**References Cited**

U.S. PATENT DOCUMENTS

D866,013 S \* 11/2019 Panagiotis ..... D26/9  
RE47,979 E \* 5/2020 O'Neill ..... B65D 5/38  
D9/721  
D886,362 S \* 6/2020 Chami ..... D26/118  
D887,074 S \* 6/2020 Chami ..... D26/118  
D887,075 S \* 6/2020 Chami ..... D26/118  
2014/0368320 A1\* 12/2014 Hyland ..... G08B 21/245  
340/10.4  
2019/0118948 A1\* 4/2019 Fullerton ..... A47K 3/022

\* cited by examiner

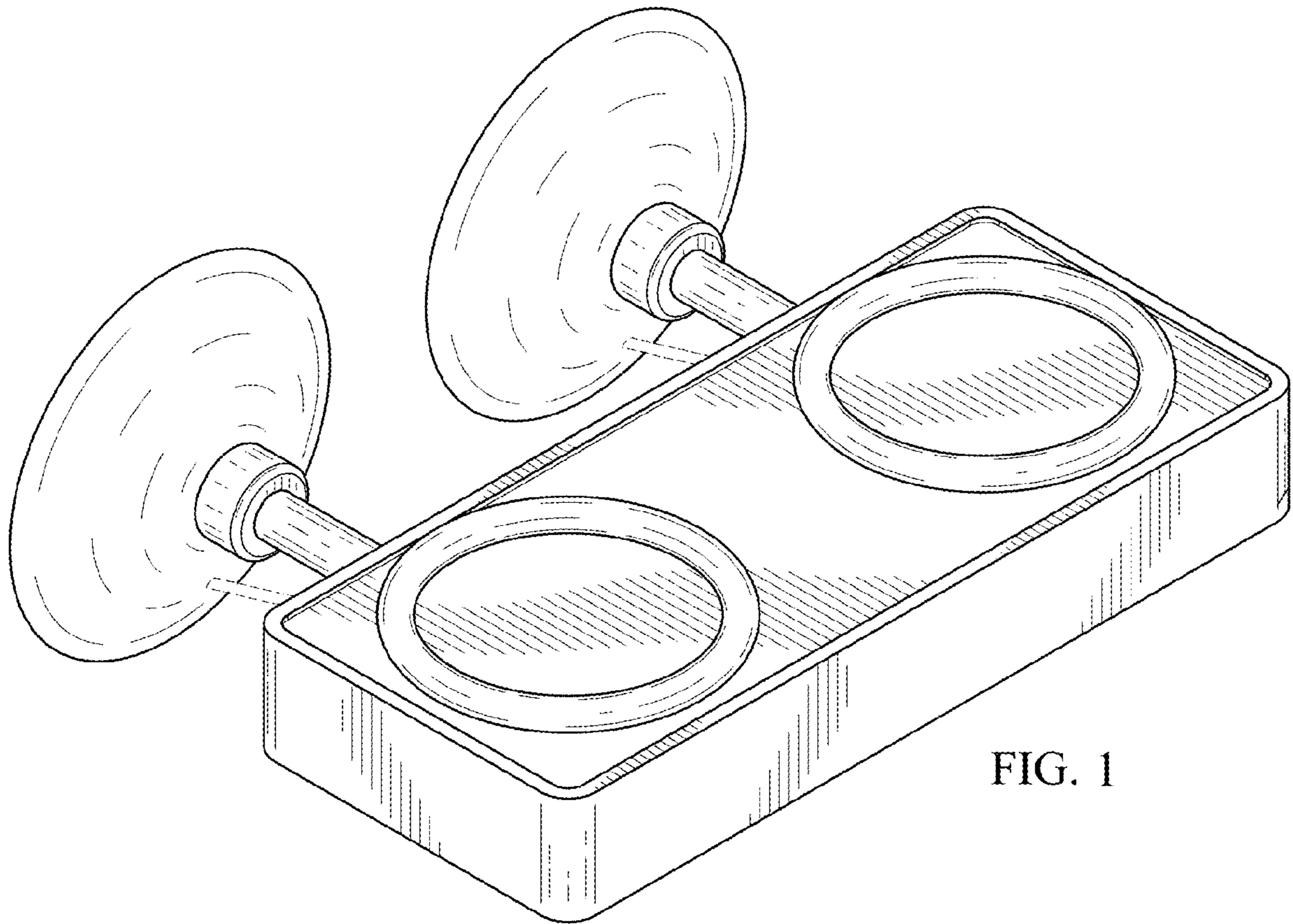


FIG. 1

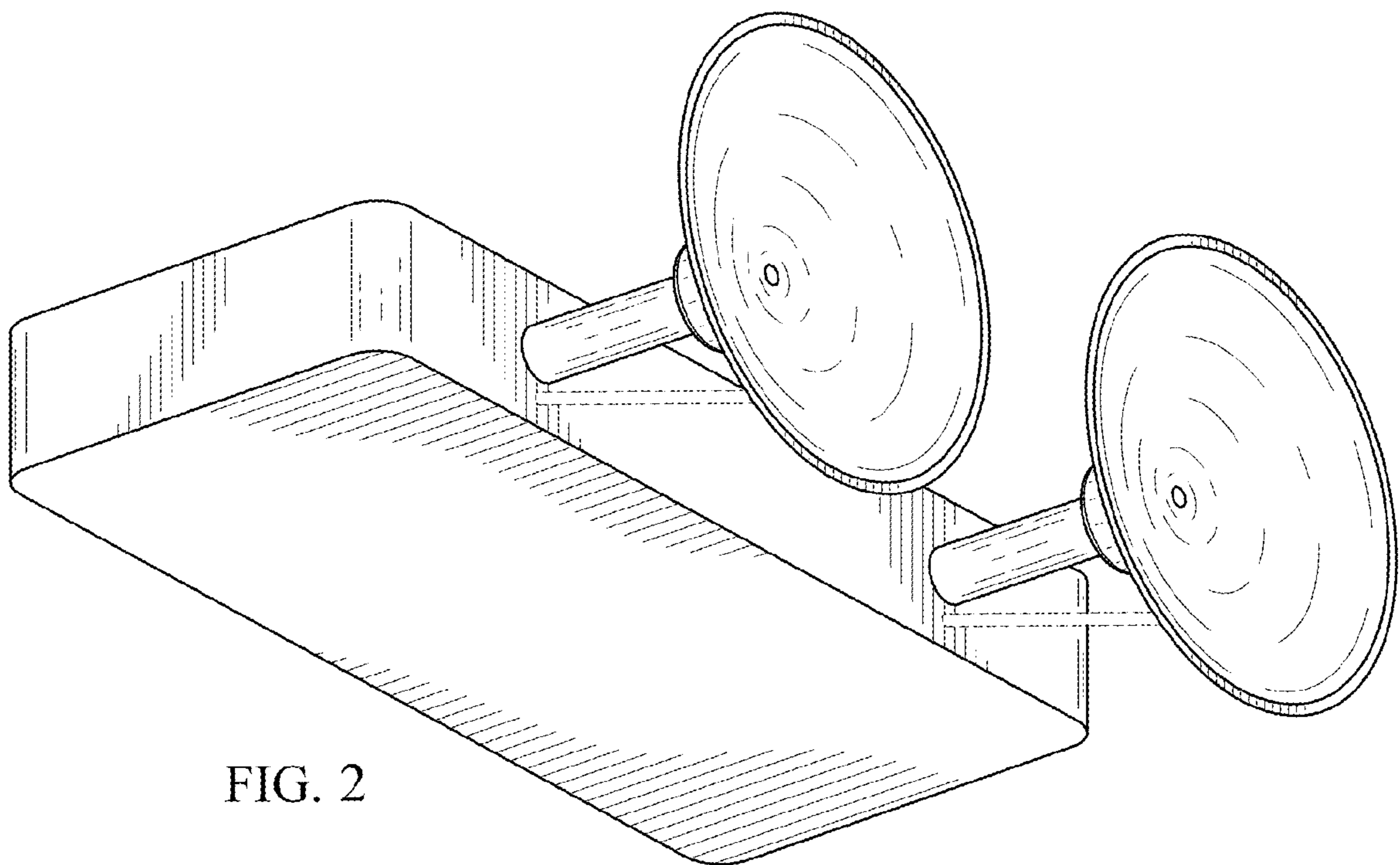


FIG. 2

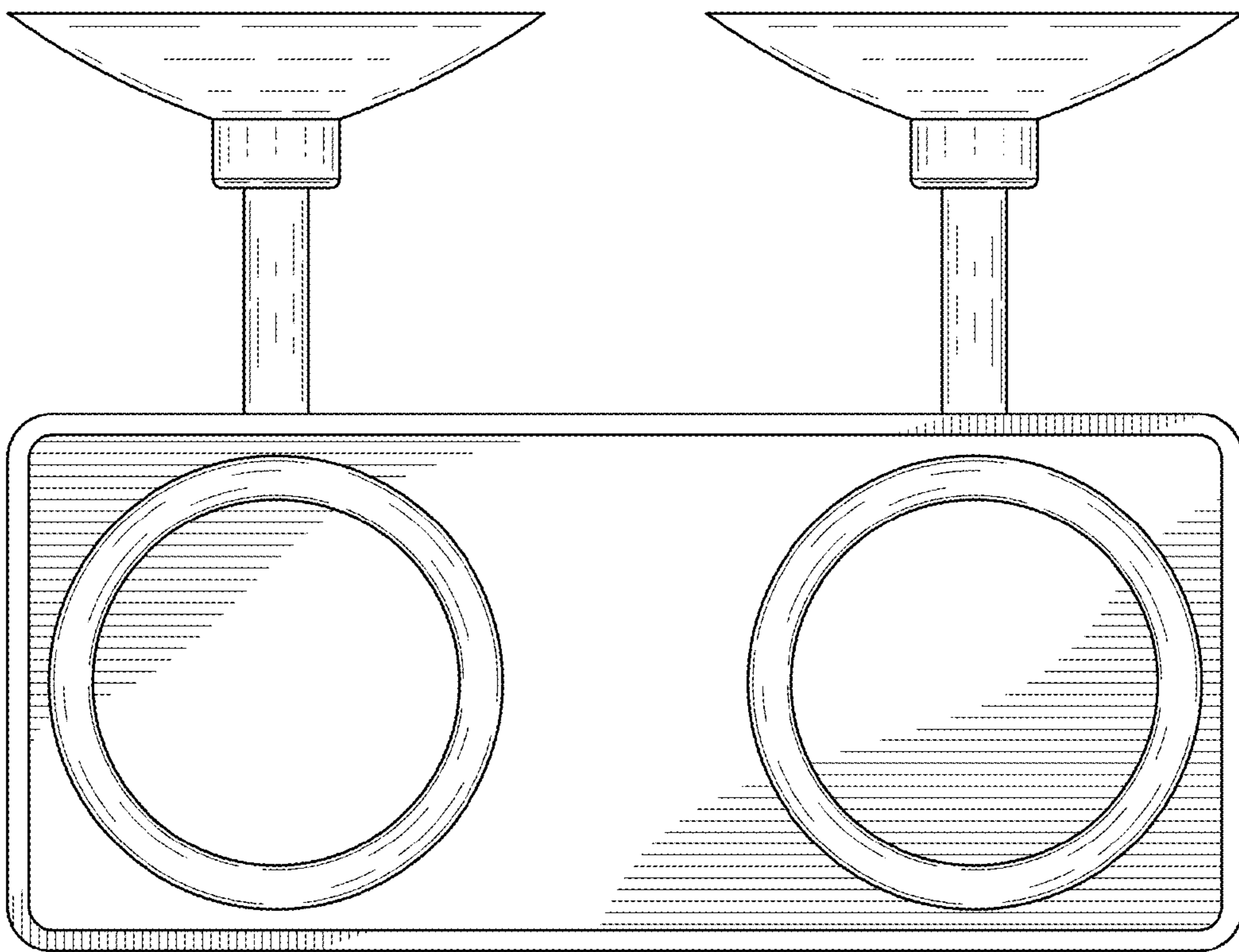


FIG. 3

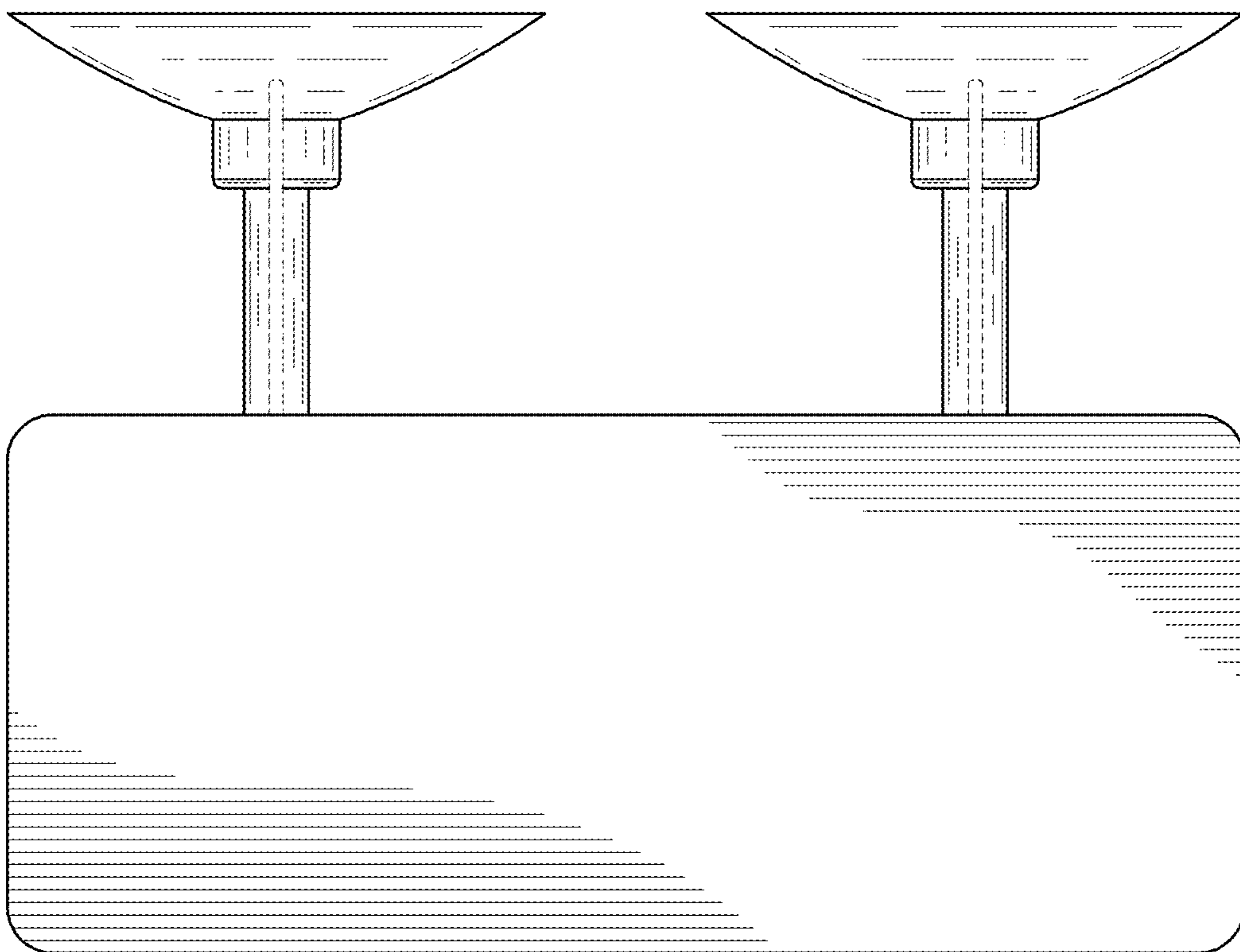


FIG. 4

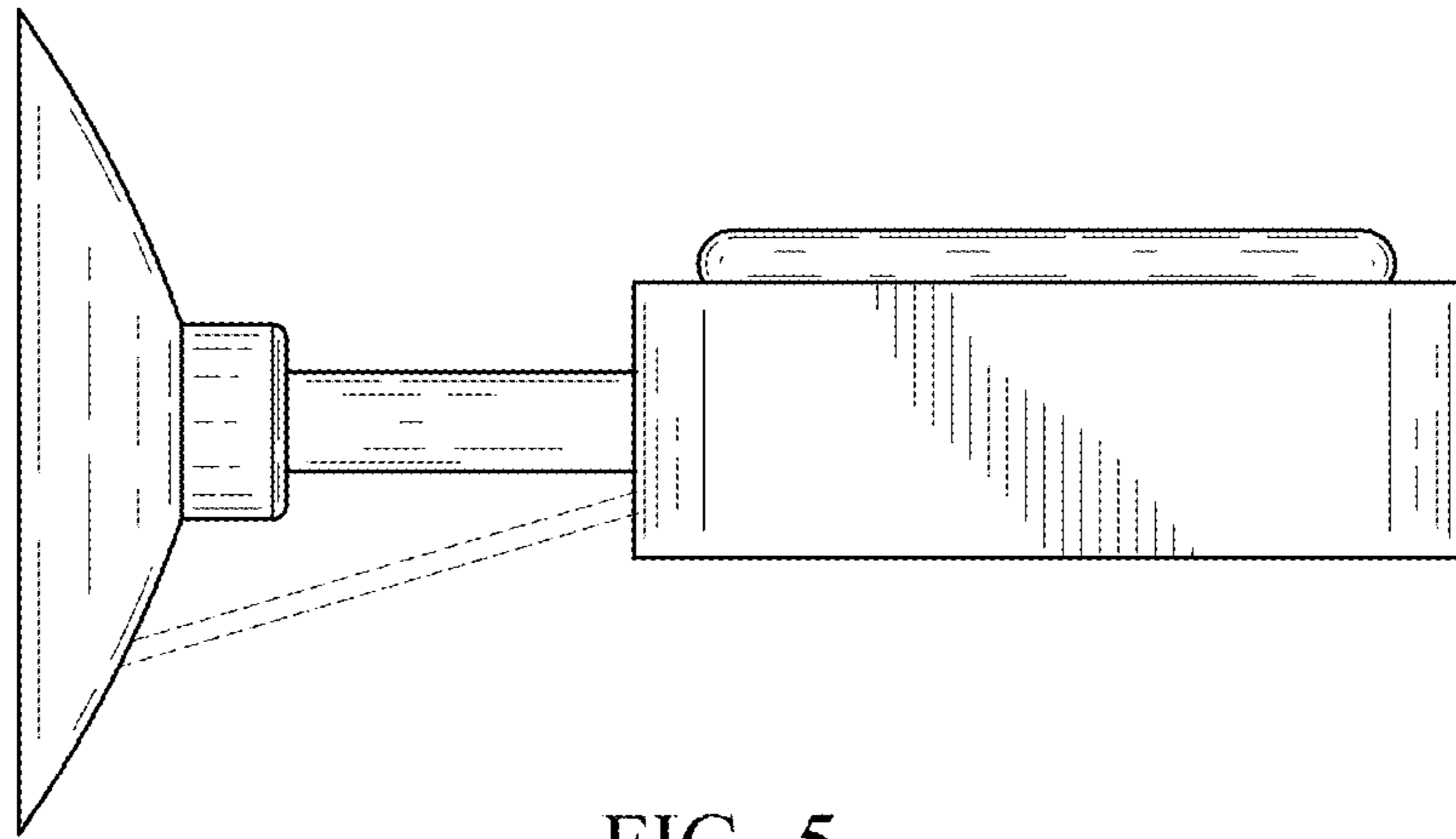


FIG. 5

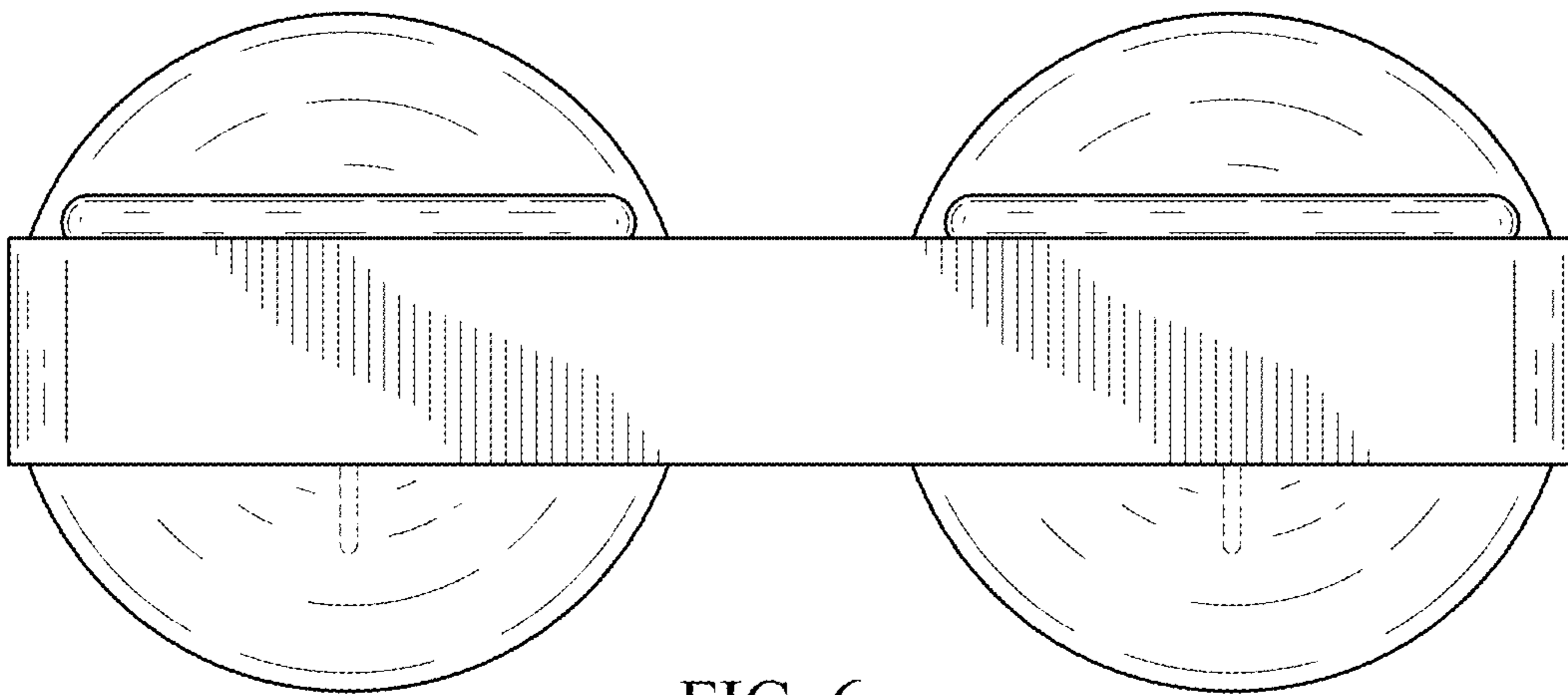


FIG. 6

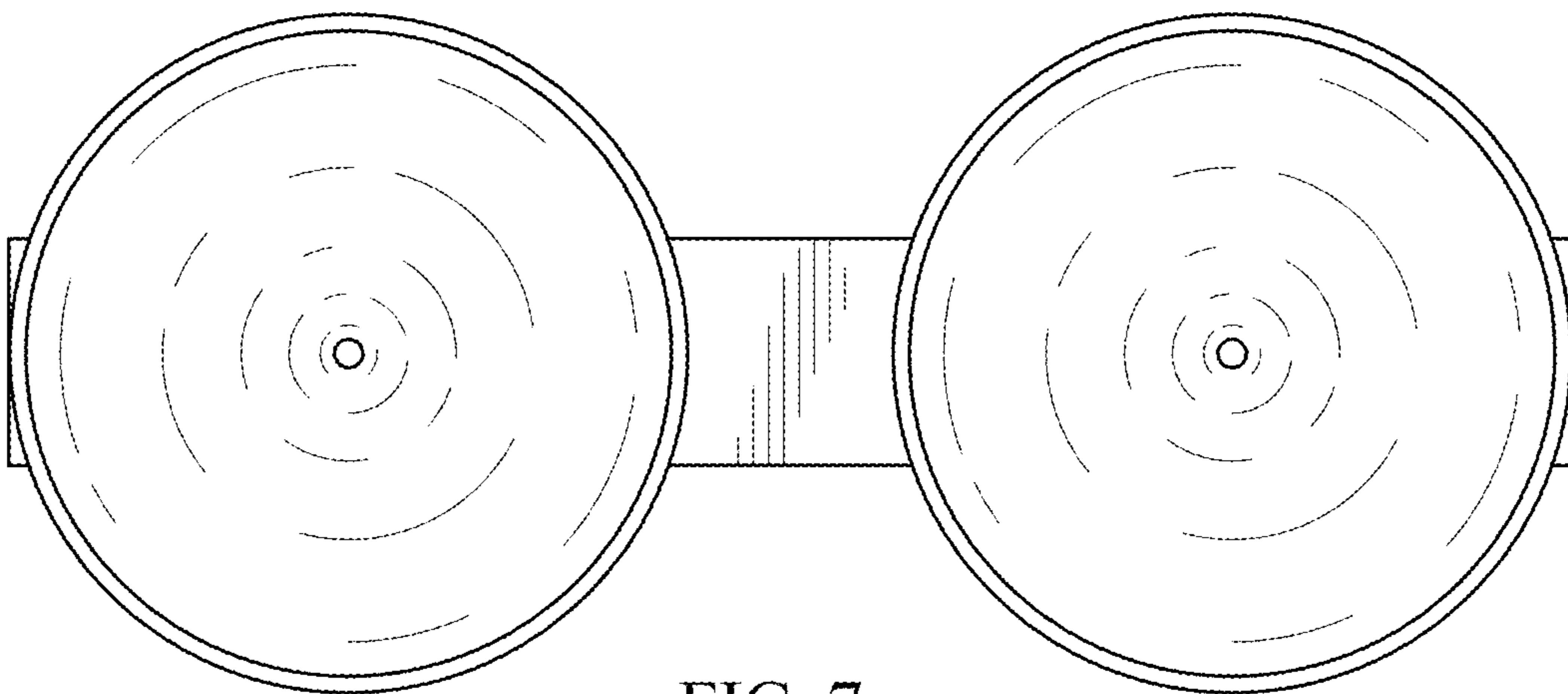


FIG. 7

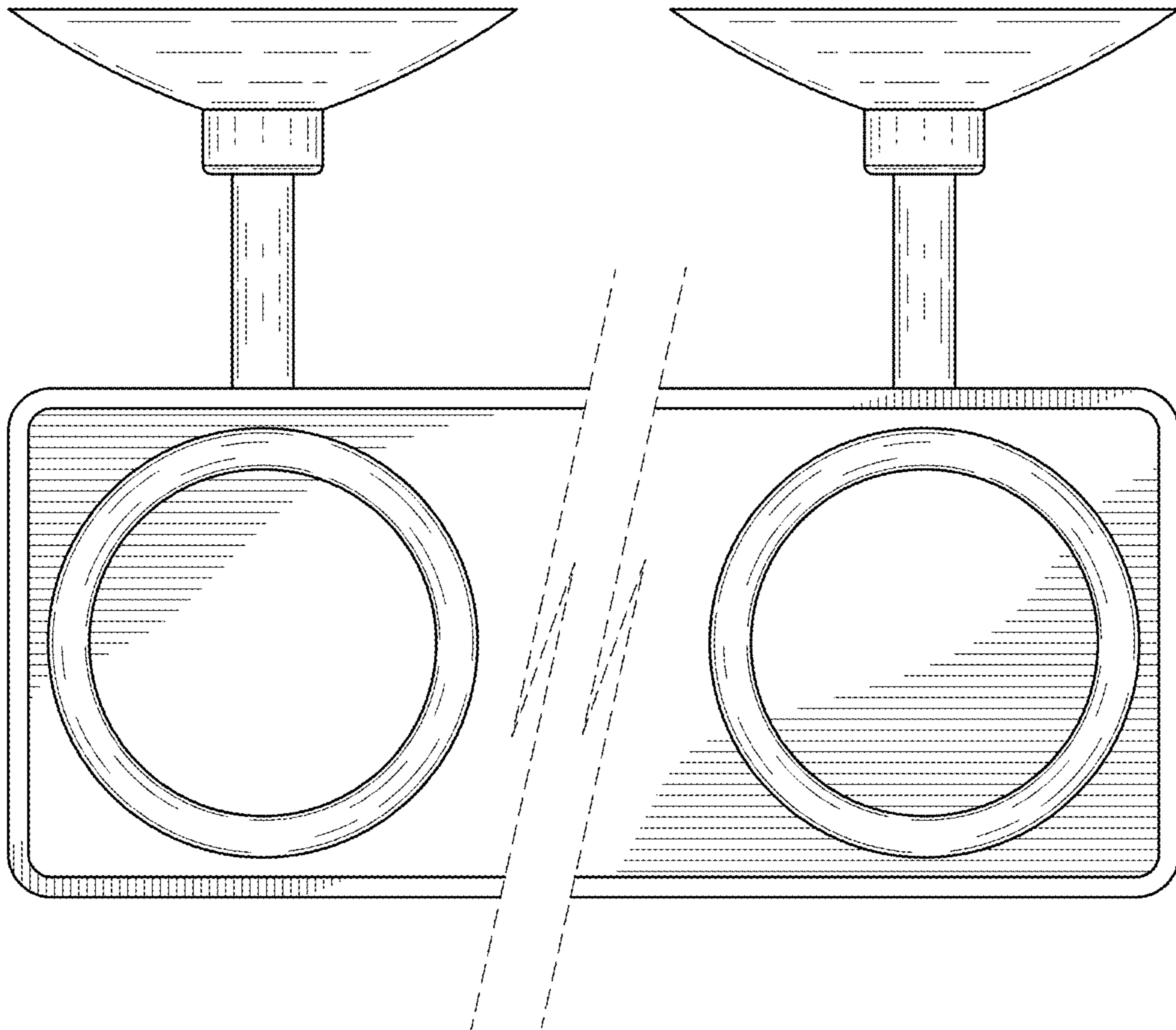


FIG. 8

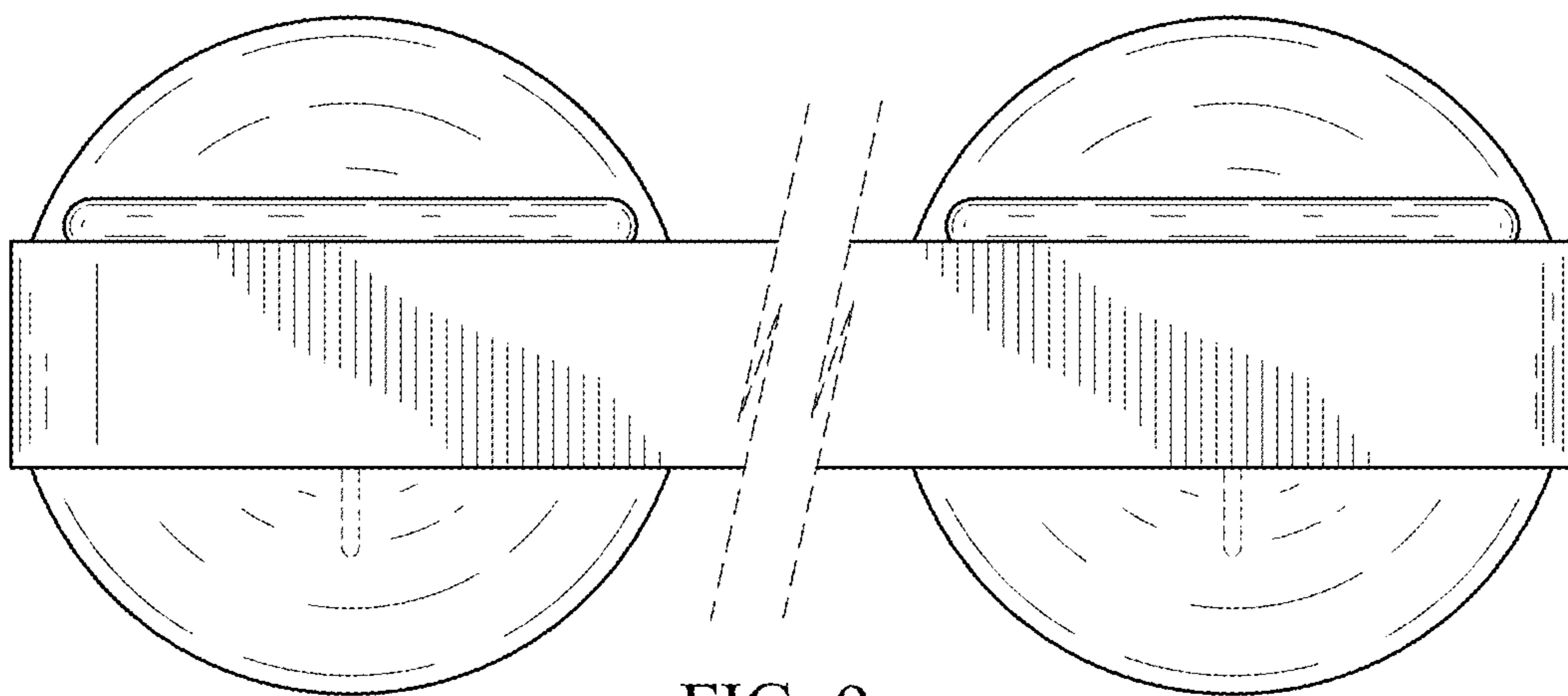


FIG. 9