



(12) **United States Design Patent**
Elwell

(10) **Patent No.:** **US D900,351 S**
(45) **Date of Patent:** **** Oct. 27, 2020**

- (54) **CANDLE HOLDER**
- (71) Applicant: **Jean D. Elwell**, Roscoe, IL (US)
- (72) Inventor: **Jean D. Elwell**, Roscoe, IL (US)
- (**) Term: **15 Years**
- (21) Appl. No.: **29/729,931**
- (22) Filed: **Mar. 31, 2020**

Related U.S. Application Data

- (62) Division of application No. 29/705,342, filed on Sep. 11, 2019, now Pat. No. Des. 887,036.
- (51) **LOC (12) Cl.** **26-01**
- (52) **U.S. Cl.**
USPC **D26/9**
- (58) **Field of Classification Search**
USPC D26/9, 10, 11, 13, 23; D3/302, 304;
D6/512, 524, 525, 531, 535, 536, 540,
D6/556; 248/309.1, 311.2, 310;
211/88.01
CPC F21V 35/00; A47K 2201/02; F21S 8/036;
F21W 2121/00; F21W 2121/004; A47B
81/007
See application file for complete search history.

(56) **References Cited**

U.S. PATENT DOCUMENTS

5,028,026	A	7/1991	Philipps et al.	
D371,735	S	7/1996	Motta	
D386,343	S	* 11/1997	Moore	D6/532
D405,696	S	* 2/1999	Ullrich	D9/454
D425,742	S	* 5/2000	Duggan	D6/535
6,092,772	A	7/2000	Garcia et al.	
D432,833	S	* 10/2000	Gastelum	D6/531
D432,837	S	* 10/2000	Gastelum	D6/540
D447,012	S	* 8/2001	Owens	D7/620

D493,646	S	* 8/2004	Hoernig	D6/534
D549,024	S	* 8/2007	Fuentes	D6/534
D566,442	S	* 4/2008	Rubin	D6/527
D604,543	S	* 11/2009	Urquiola	D6/535
7,651,063	B2	1/2010	Jensen	
D661,826	S	* 6/2012	Jorgensen	D26/9
D732,844	S	* 6/2015	Georgeson	D6/524
D759,314	S	* 6/2016	Goodman	D28/73
D832,057	S	* 10/2018	Namyst, III	D7/602
D837,610	S	* 1/2019	Maguire	D7/601
D848,242	S	* 5/2019	DiCioccio	D8/354
2014/0368320	A1	* 12/2014	Hyland	G08B 21/245 340/10.4
2019/0118948	A1	* 4/2019	Fullerton	A47K 3/022

* cited by examiner

Primary Examiner — Shannon W Morgan

Assistant Examiner — Keith Frank

(74) *Attorney, Agent, or Firm* — Scherrer Patent & Trademark Law, P.C.; Stephen T. Scherrer; Monique A. Morneault

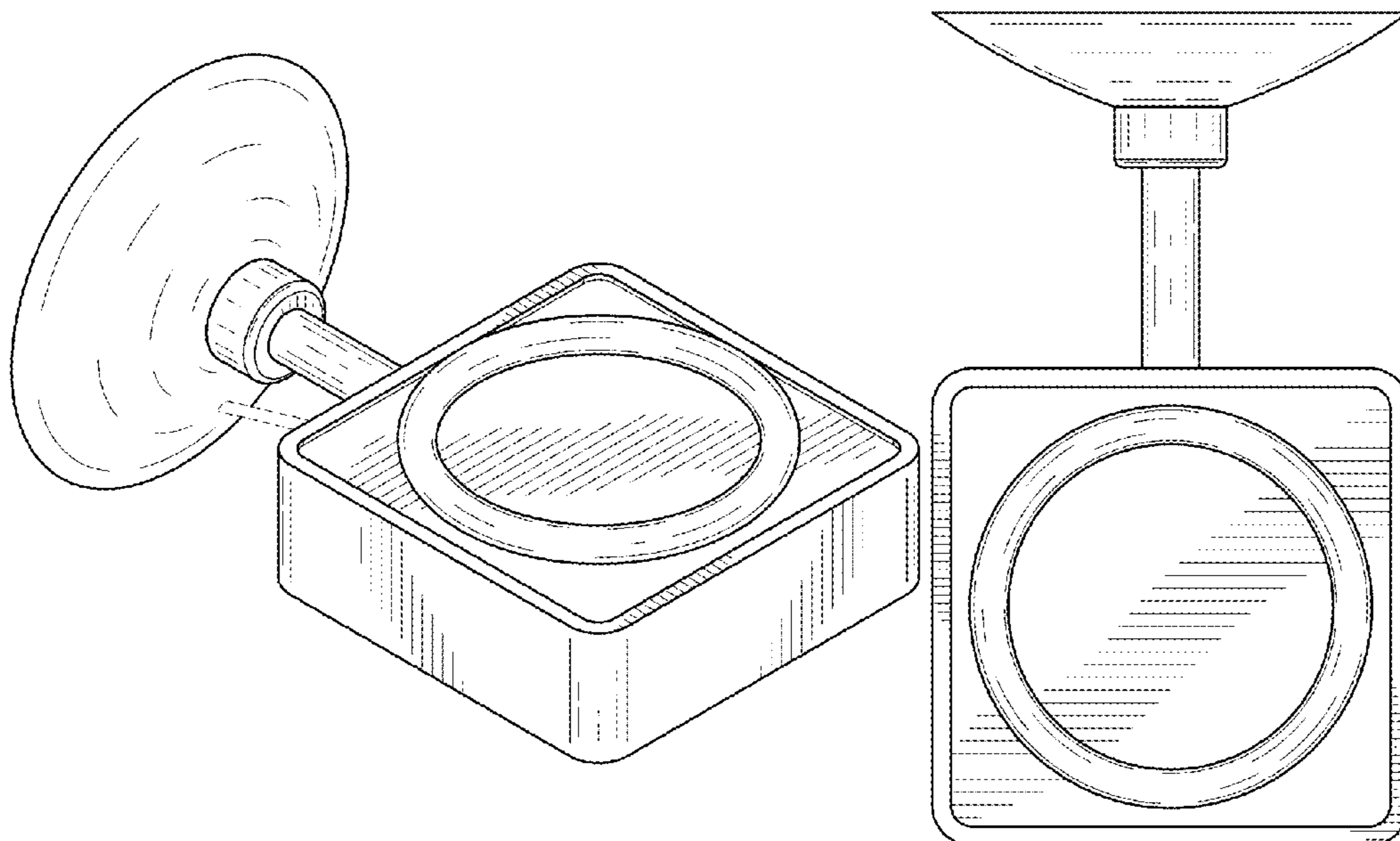
(57) **CLAIM**

The ornamental design for a candle holder, as shown and described.

DESCRIPTION

FIG. 1 is a top perspective view of a candle holder showing my new design;
 FIG. 2 is a bottom perspective view thereof;
 FIG. 3 is a top plan view thereof;
 FIG. 4 is a bottom plan view thereof;
 FIG. 5 is a left side elevation view thereof;
 FIG. 6 is a front elevation view thereof; and,
 FIG. 7 is a rear elevation view thereof.
 The broken lines in the drawings showing the candle holder illustrate the portions of the candle holder that form no part of the claimed design.

1 Claim, 3 Drawing Sheets



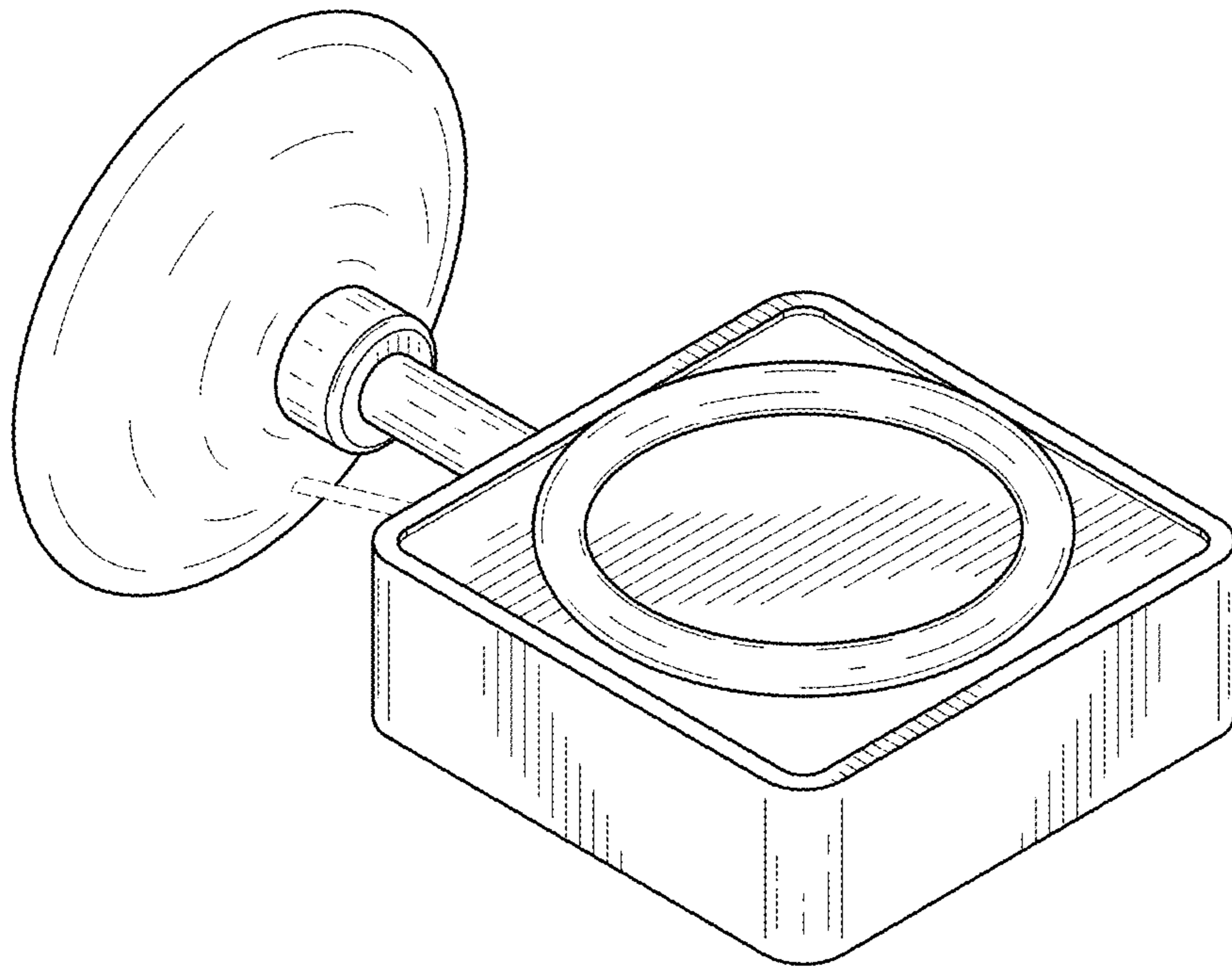


FIG. 1

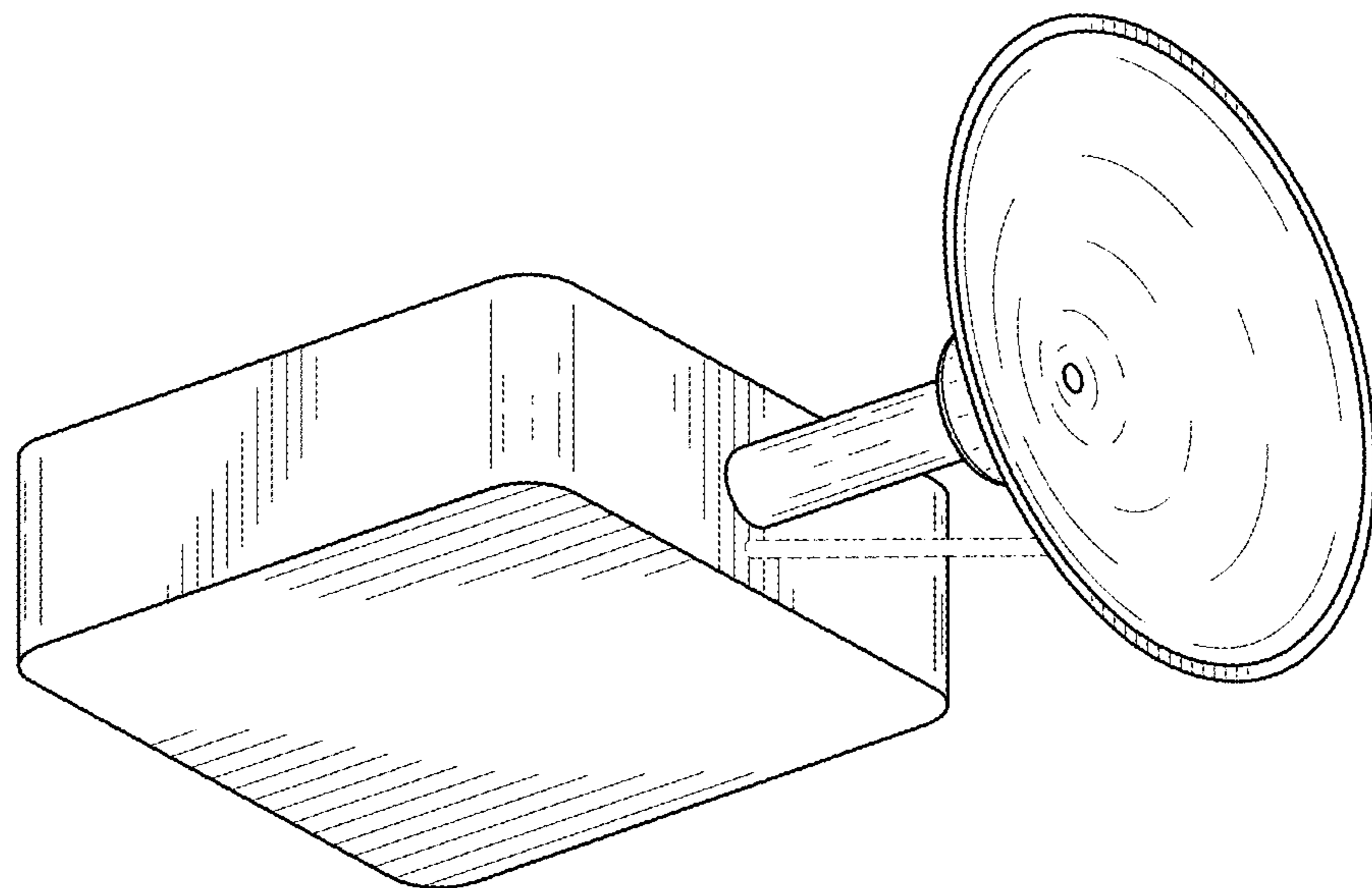


FIG. 2

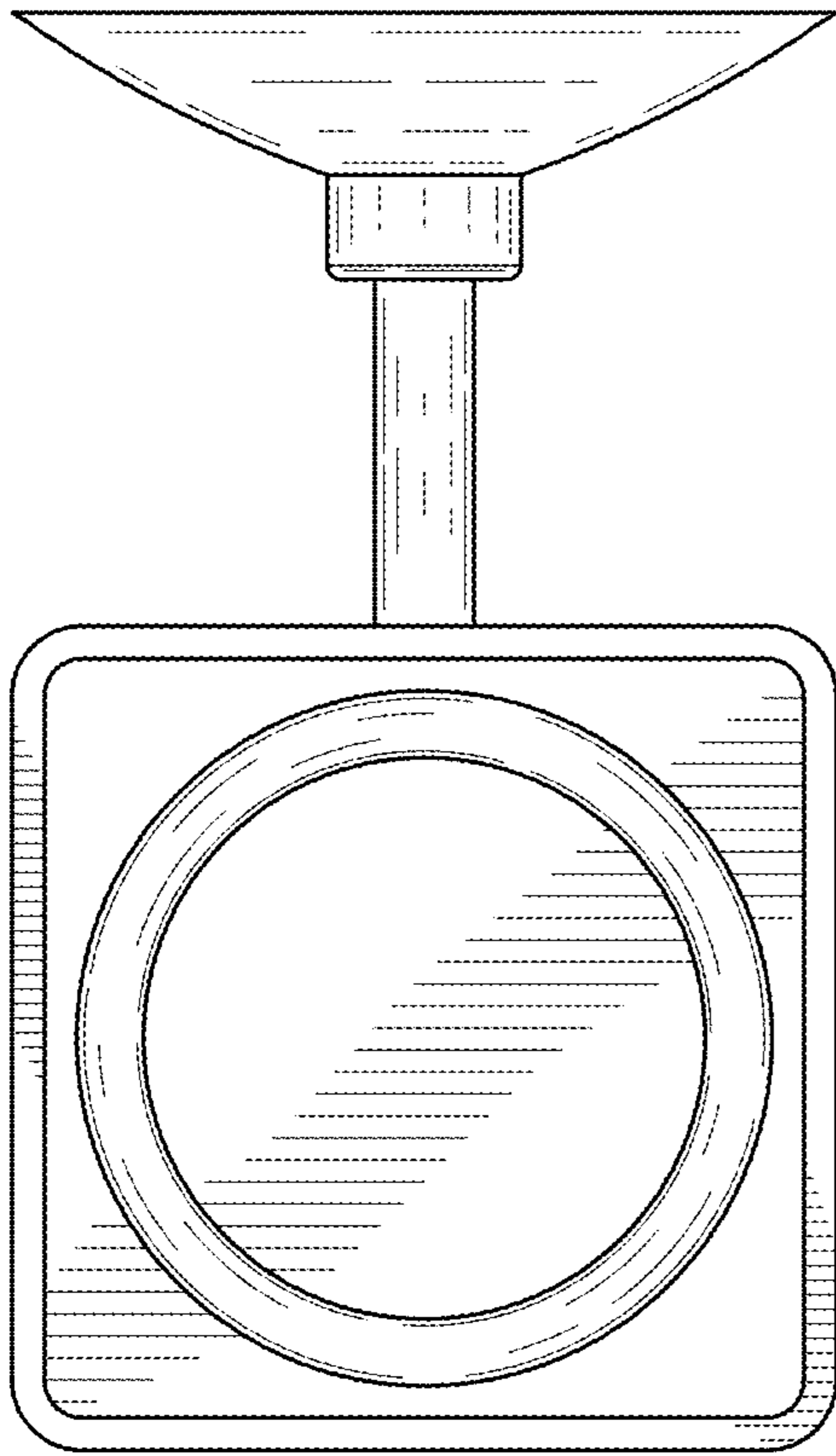


FIG. 3

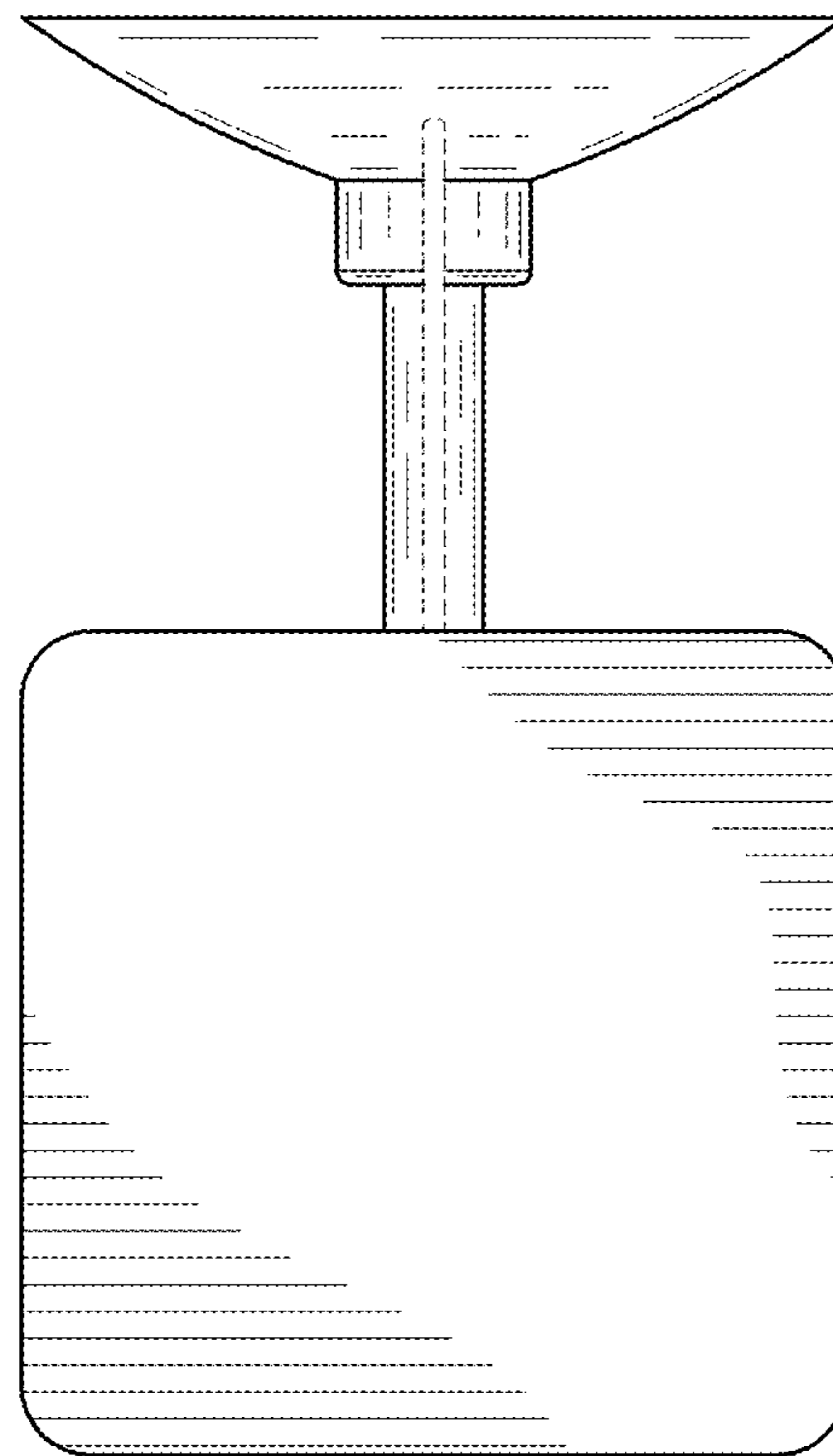


FIG. 4

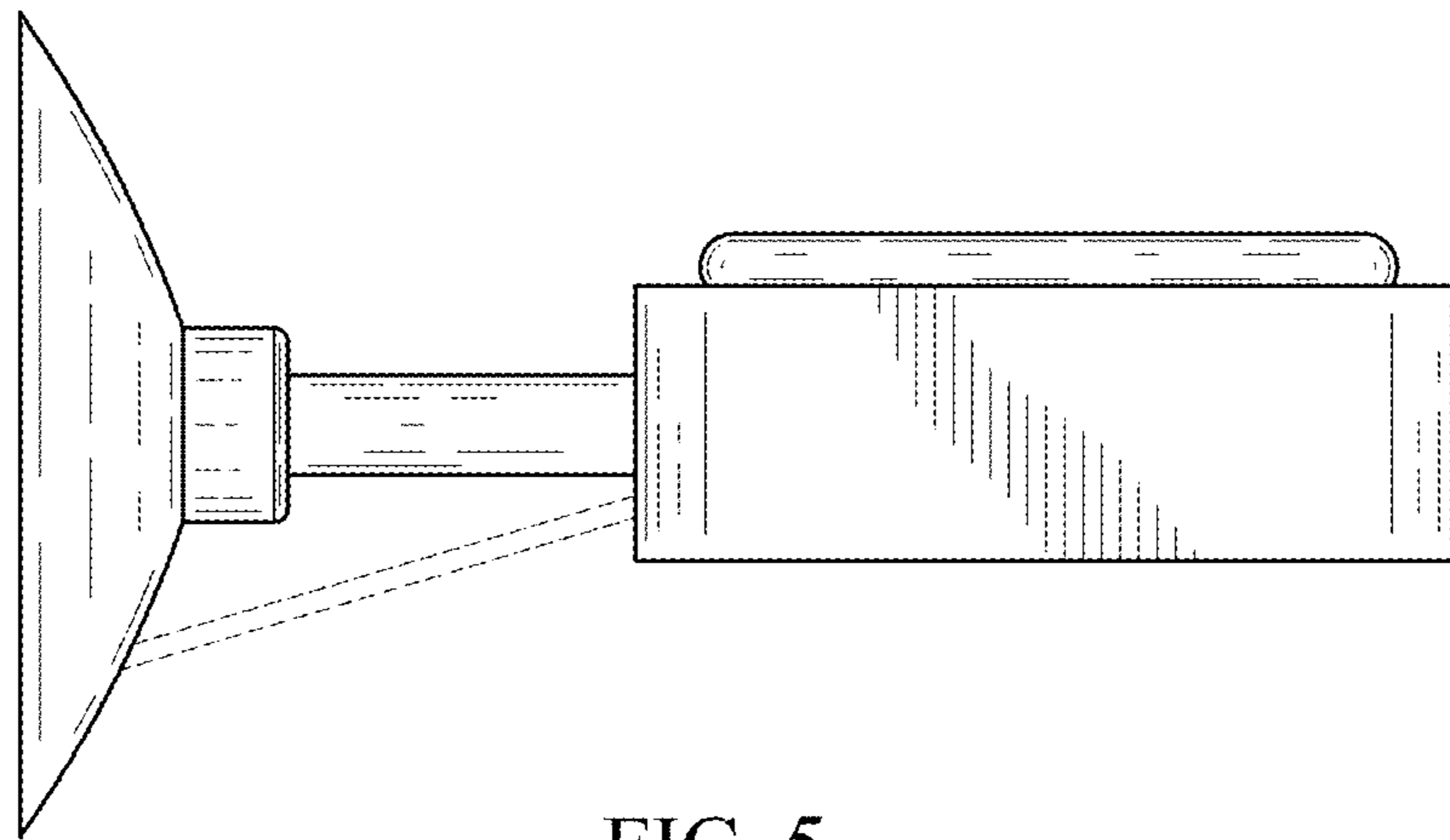


FIG. 5

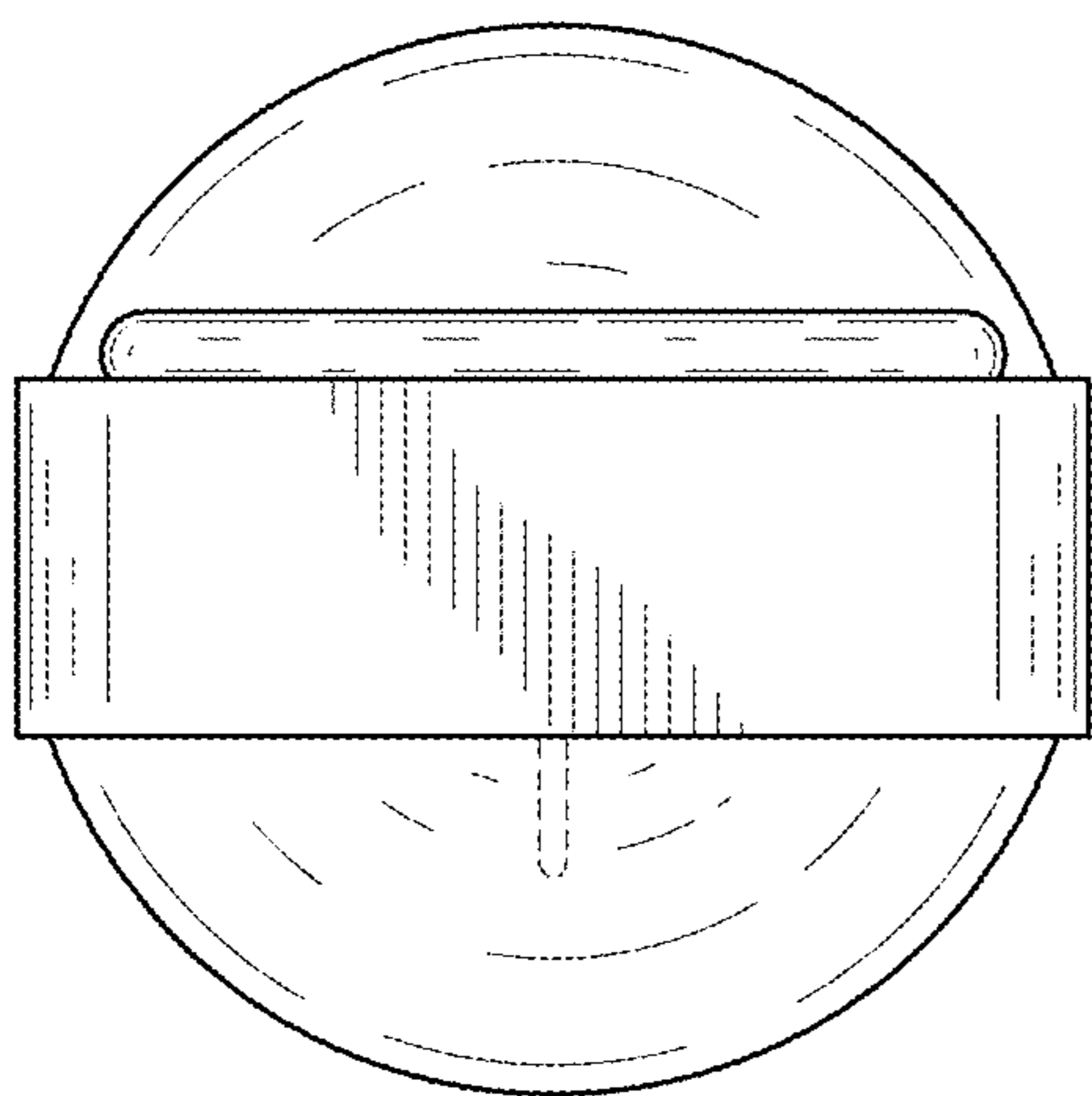


FIG. 6

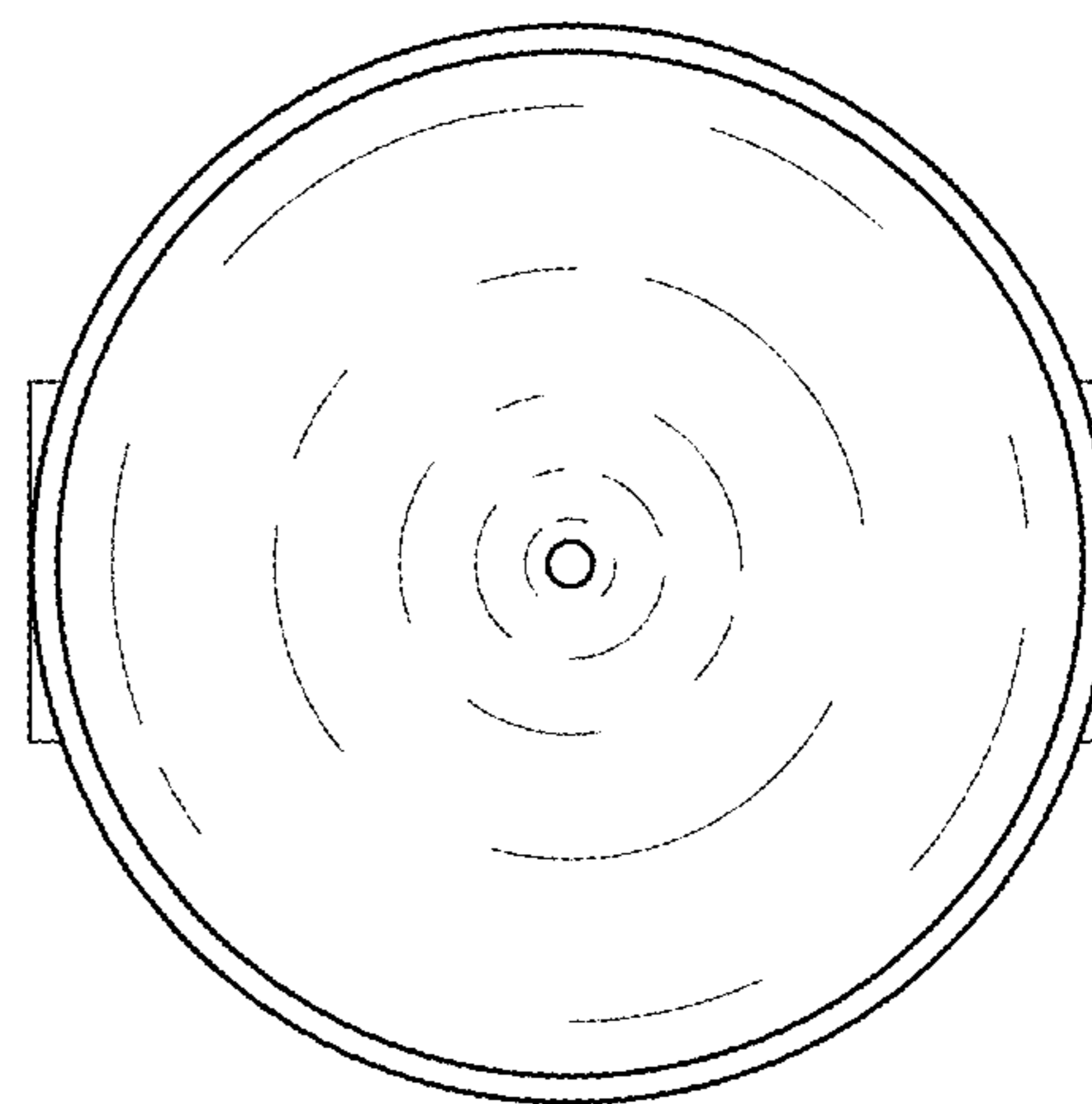


FIG. 7