



US00D900350S

(12) **United States Design Patent** (10) **Patent No.:** **US D900,350 S**
Ding (45) **Date of Patent:** **** Oct. 27, 2020**

(54) **ELECTRONIC CANDLE**

(71) Applicant: **Yingqi Ding**, Jiangsu (CN)

(72) Inventor: **Yingqi Ding**, Jiangsu (CN)

(73) Assignee: **Nantong Yatai Candle Arts & Crafts Co., Ltd.**, Nantong, Jiangsu (CN)

(**) Term: **15 Years**

(21) Appl. No.: **29/699,855**

(22) Filed: **Jul. 30, 2019**

(51) **LOC (12) Cl.** **26-04**

(52) **U.S. Cl.**
USPC **D26/5**

(58) **Field of Classification Search**
USPC D26/1-6
CPC H01R 5/00; H01R 13/46; H01R 13/514;
H01R 13/048; H01R 31/02; H01J 5/00;
H01J 5/16; H01J 1/02; H01J 15/00; H01J
5/48; H01J 5/50; H01J 19/54; F21V 5/00;
F21K 9/00; F21K 13/00

See application file for complete search history.

(56) **References Cited**

U.S. PATENT DOCUMENTS

D431,306 S * 9/2000 Tsai D26/5
D576,317 S * 9/2008 Jensen D26/5
D759,858 S * 6/2016 Li D26/5

* cited by examiner

Primary Examiner — Marcus A Jackson

(57) **CLAIM**

The ornamental design for an electronic candle, as shown and described.

DESCRIPTION

I have invented another electronic candle and applied for U.S. design on Sep. 29, 2017, with the application Ser. No. 29/619,706, and issued on Dec. 11, 2018 with the U.S. Pat. No. D835,831S.

FIG. 1 is a perspective view of an electronic candle showing my new design;

FIG. 2 is a front elevation view thereof;

FIG. 3 is a rear elevation view thereof;

FIG. 4 is a left side elevation view thereof;

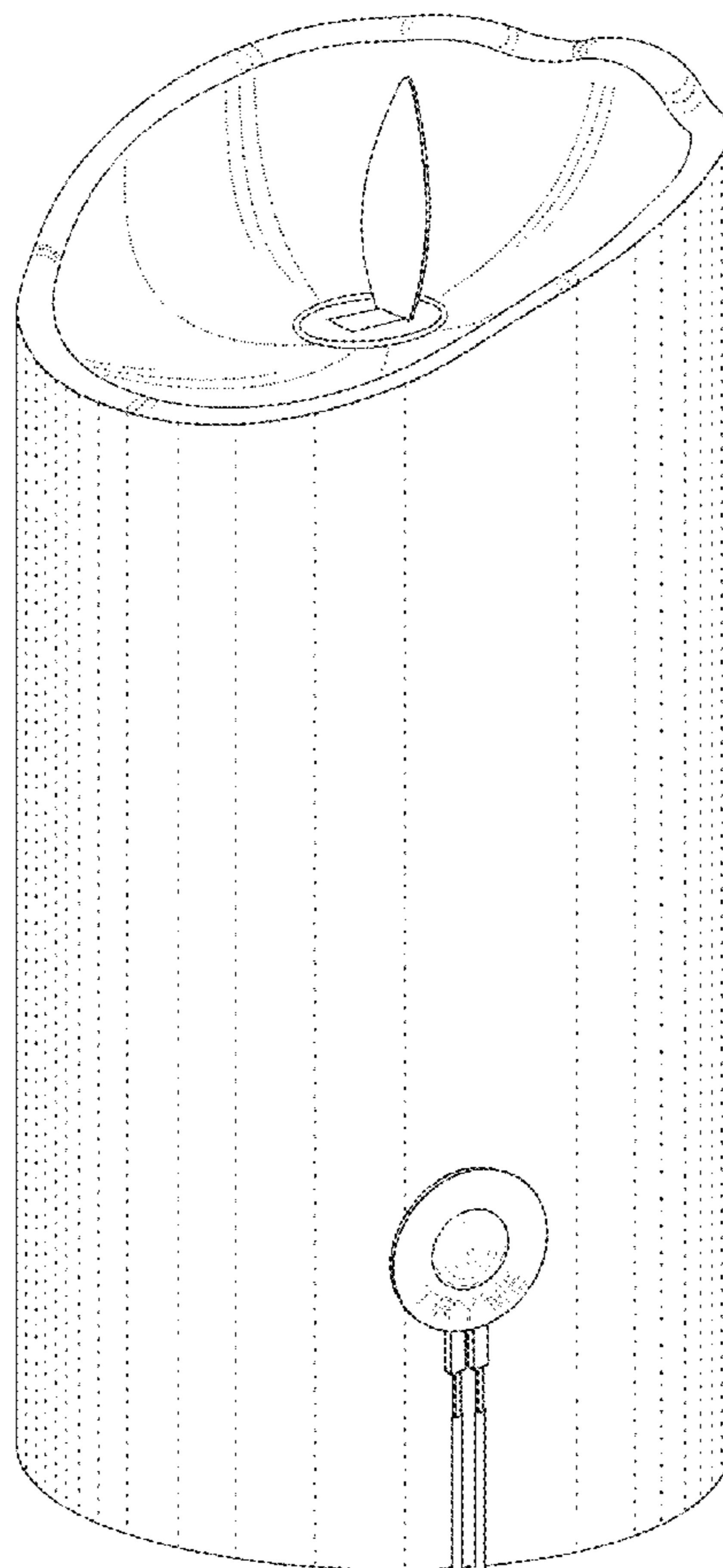
FIG. 5 is a right side elevation view thereof;

FIG. 6 is a top plan view thereof; and,

FIG. 7 is a bottom plan view thereof.

The broken lines disclosure represents portions of the electronic candle which form no part of the claimed design.

1 Claim, 7 Drawing Sheets



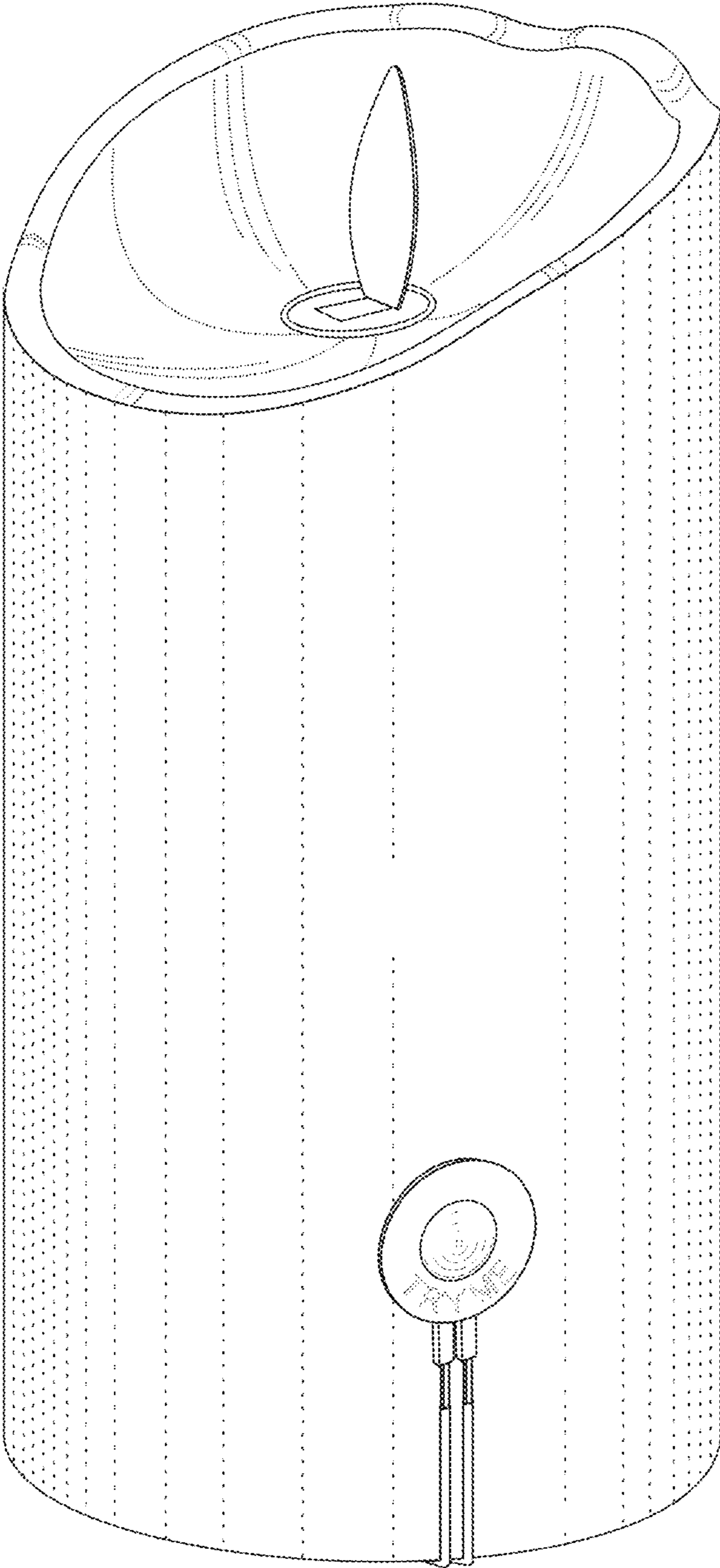


FIG.1

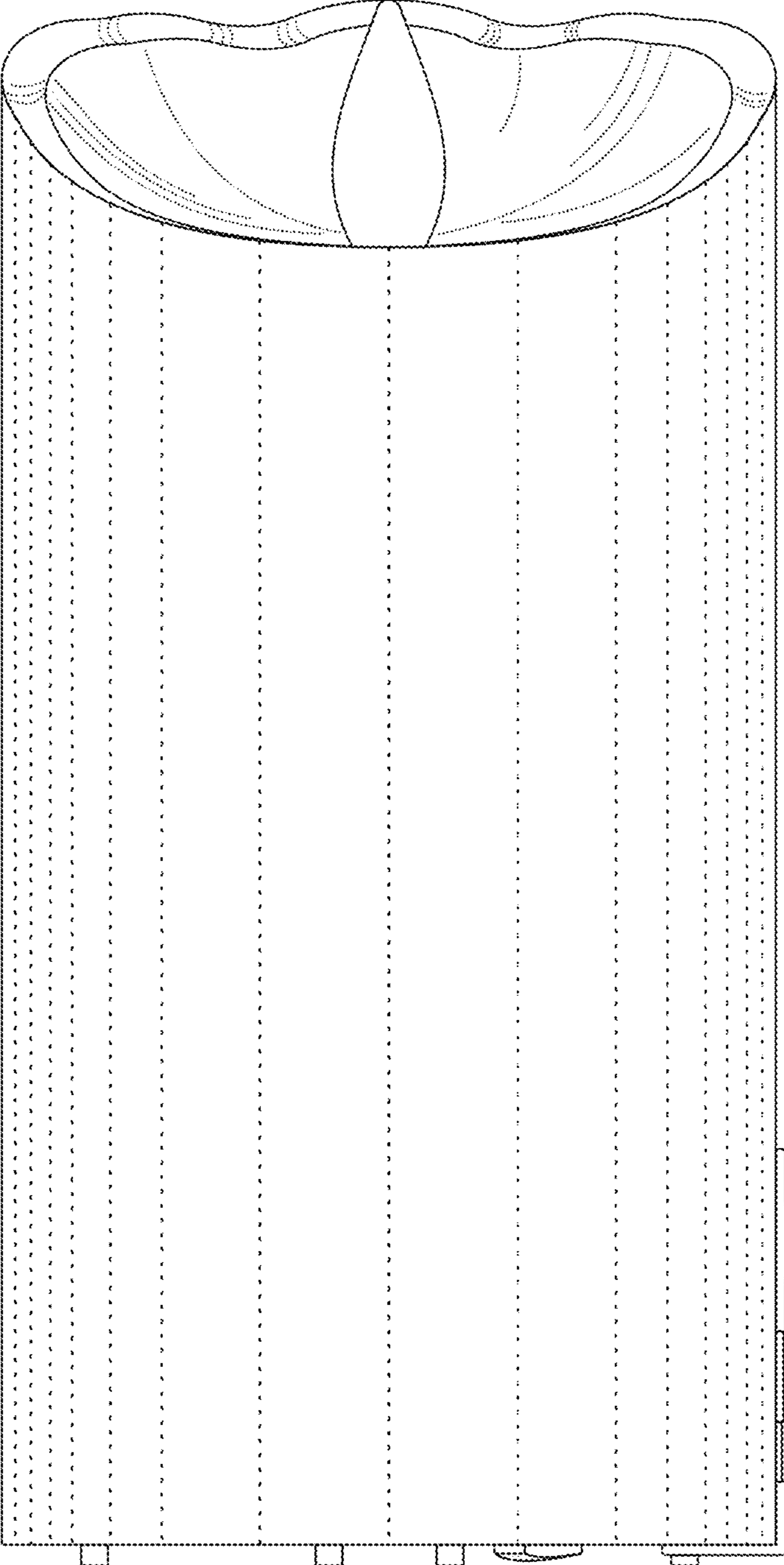


FIG.2

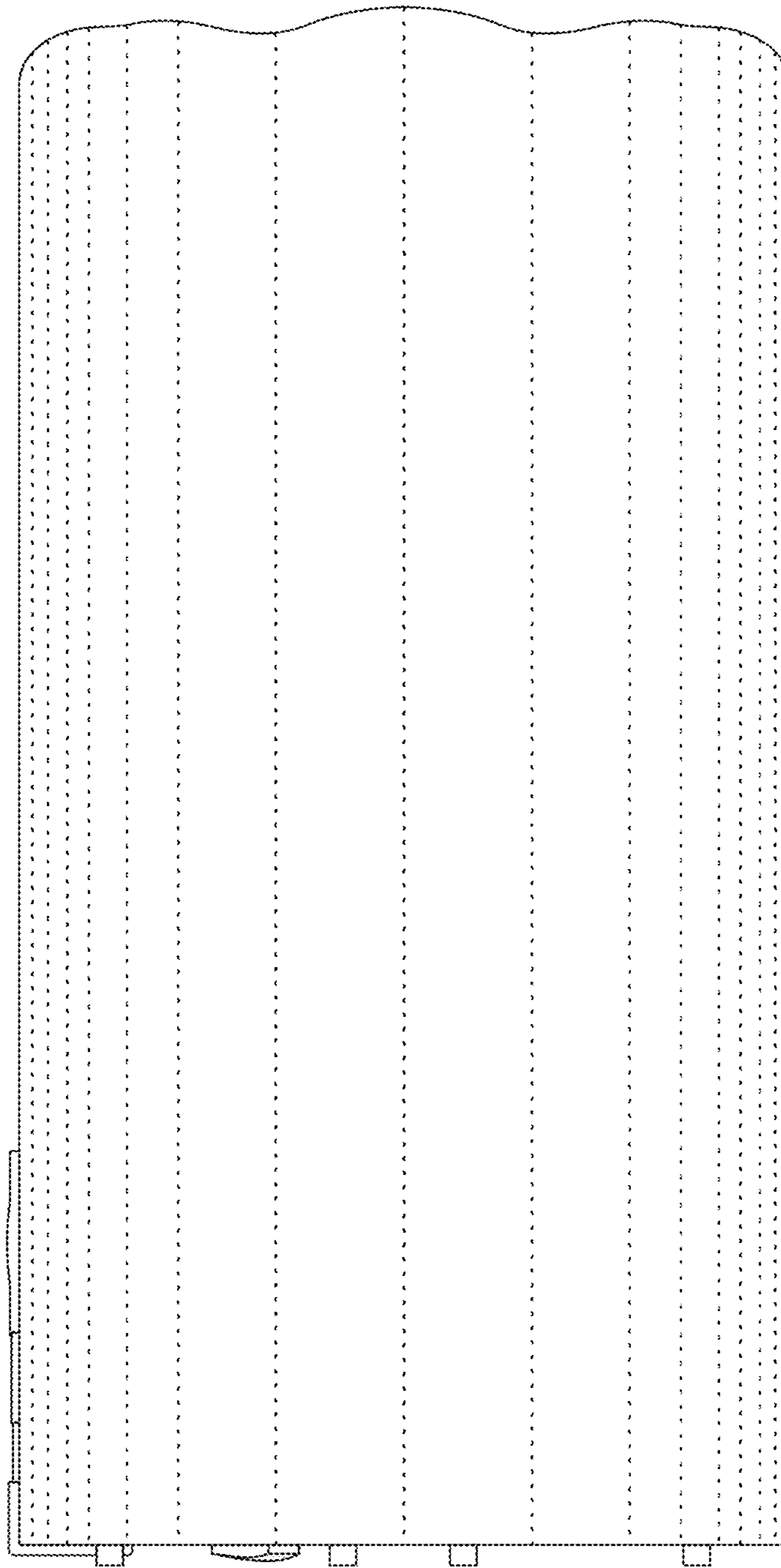


FIG.3

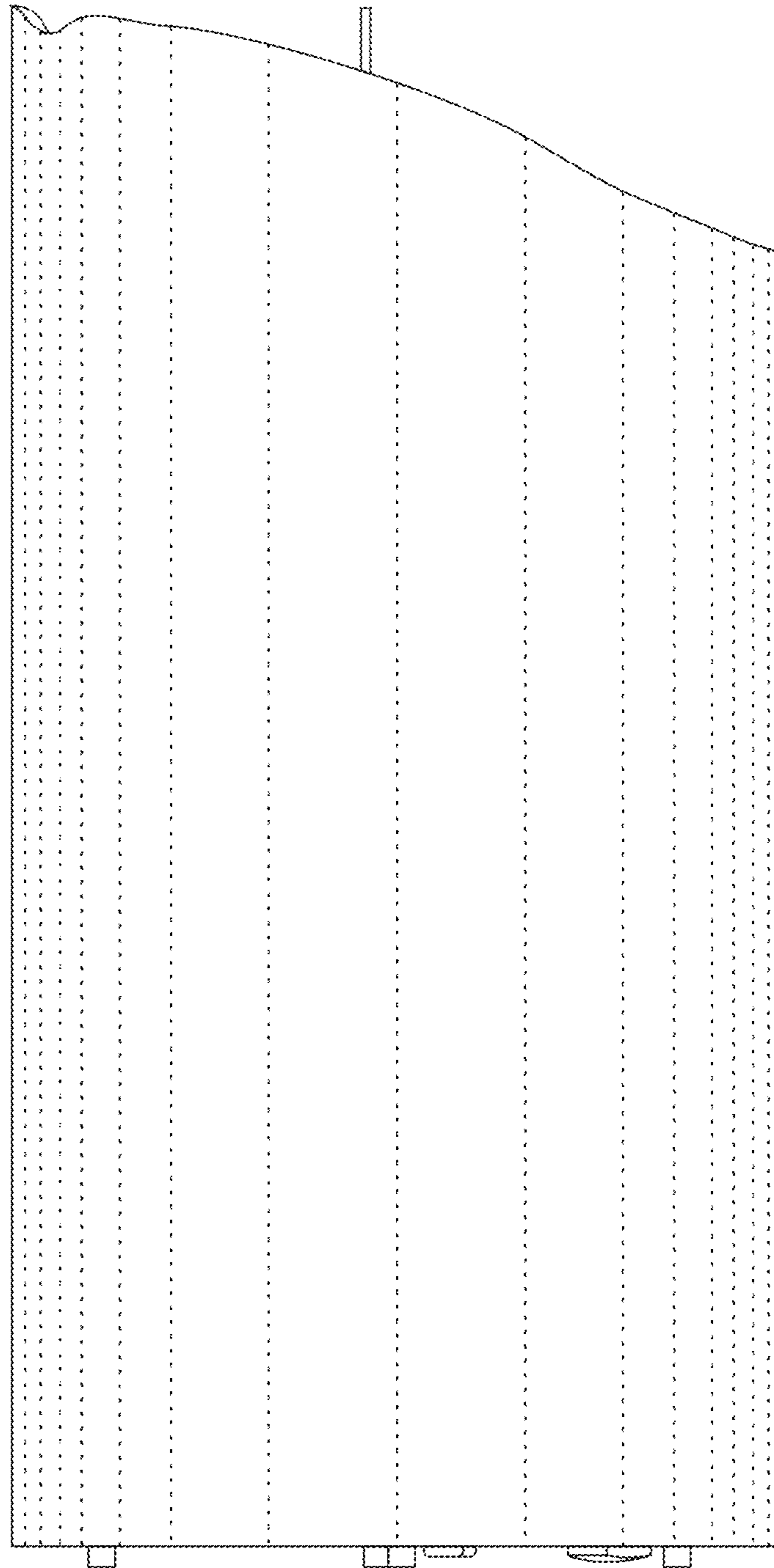


FIG.4

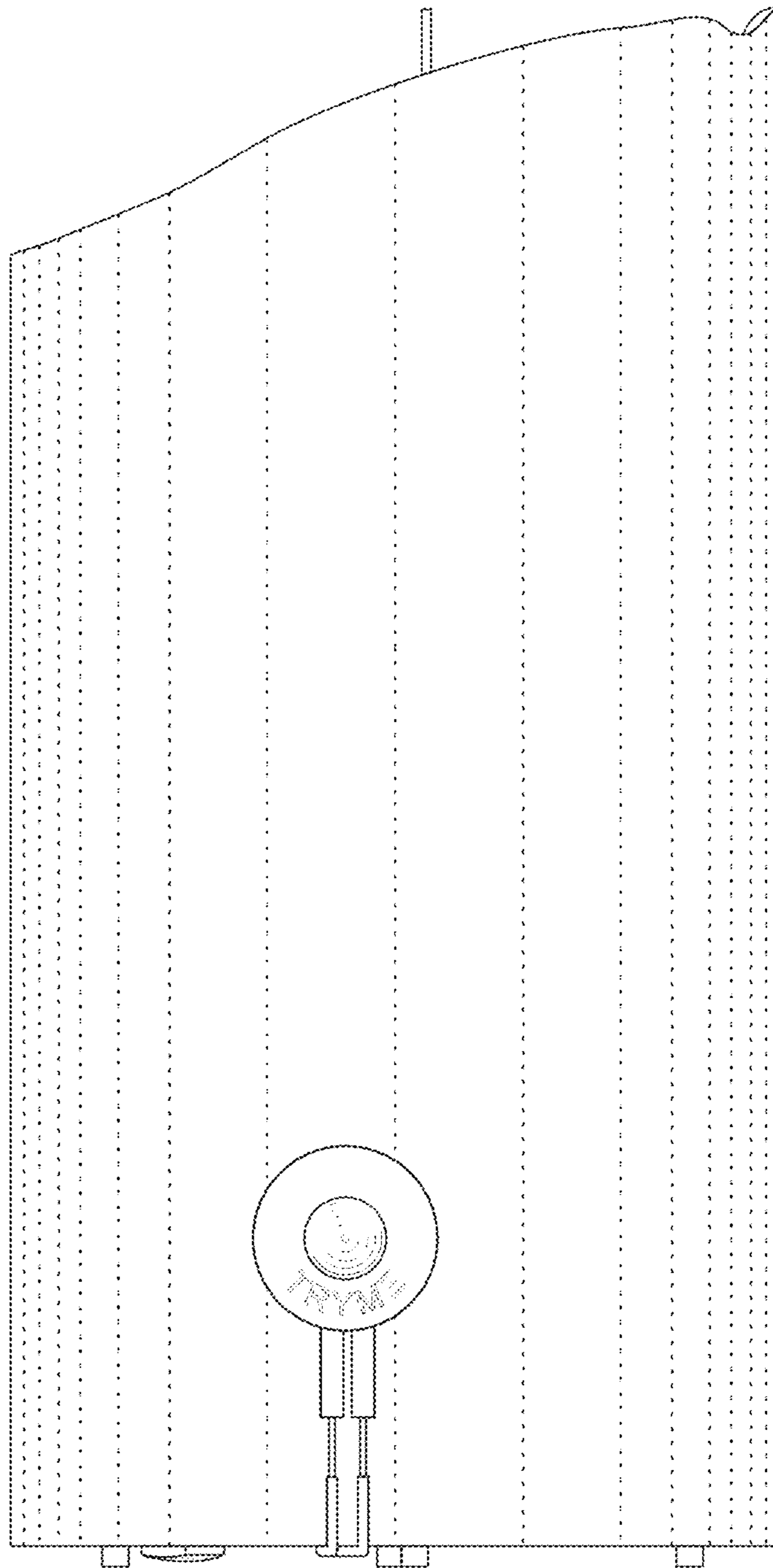


FIG. 5

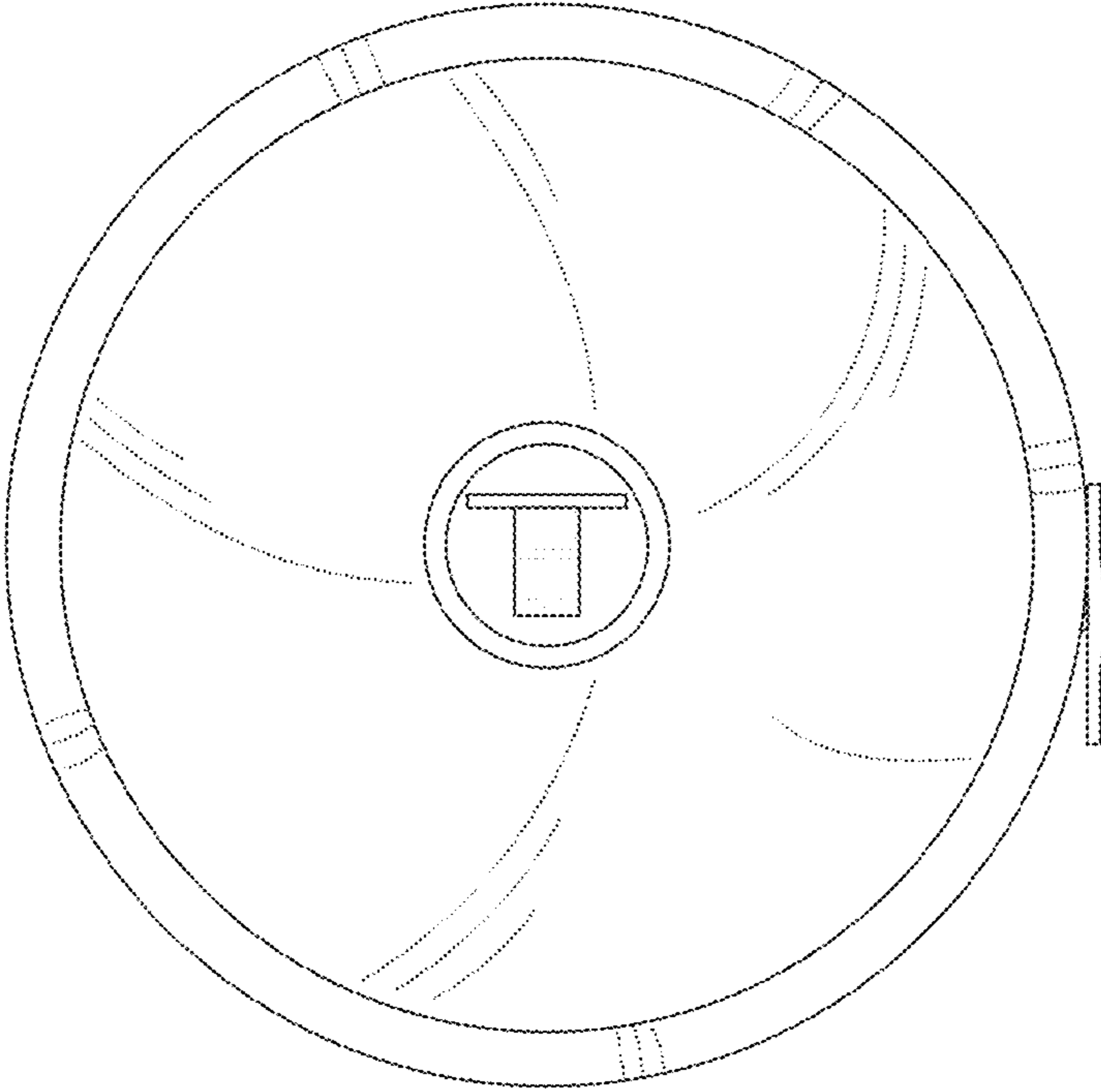


FIG. 6

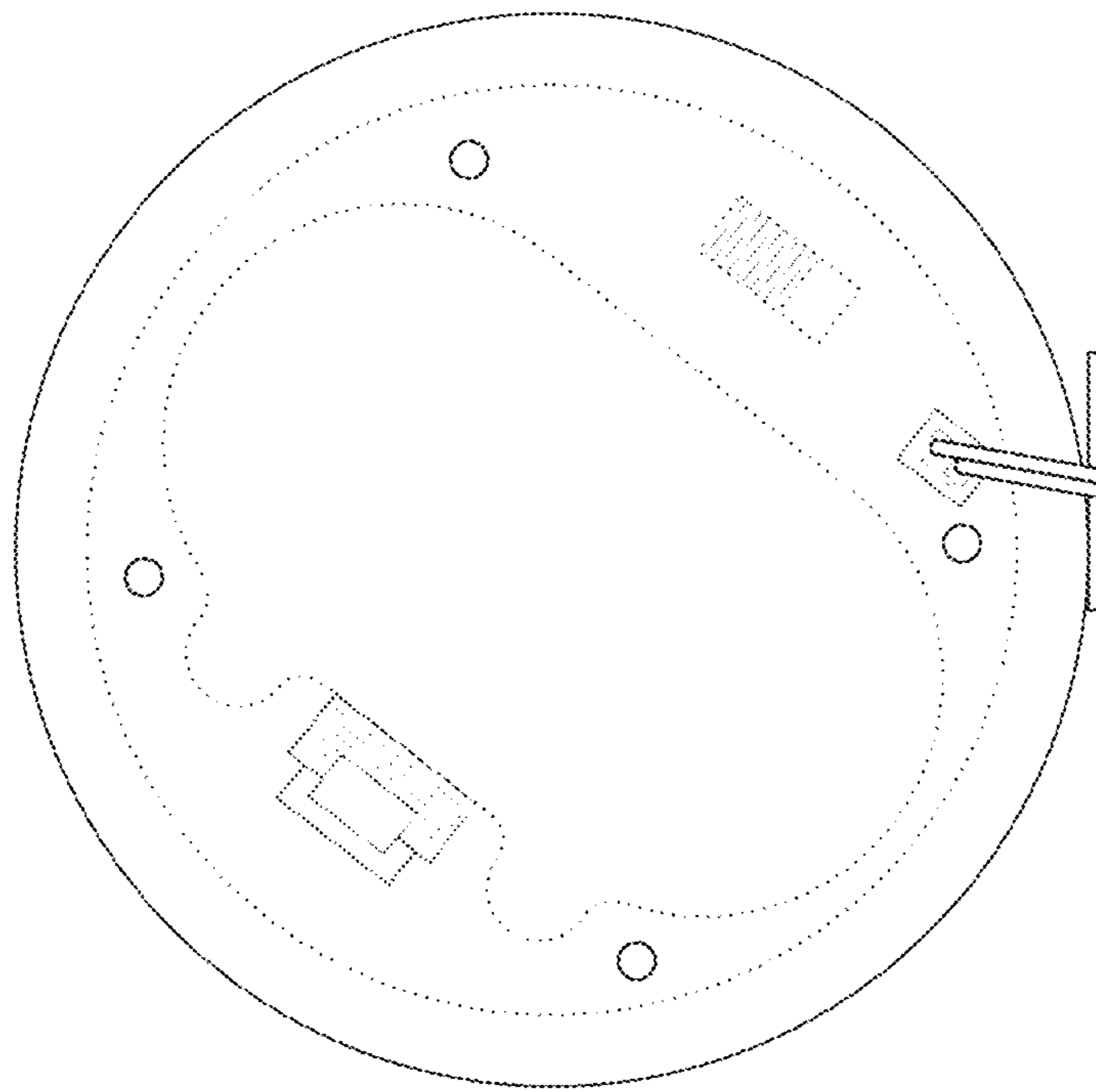


FIG. 7