

US00D900347S

(12) **United States Design Patent**  
**Roberts**

(10) **Patent No.:** **US D900,347 S**

(45) **Date of Patent:** **\*\* Oct. 27, 2020**

(54) **NESTING PANEL**

(71) Applicant: **FAUN Trackway Limited**, North Wales (GB)

(72) Inventor: **Dafydd Roberts**, North Wales (GB)

(73) Assignee: **FAUN TRACKWAY LIMITED**, Wales (GB)

(\*\*) Term: **15 Years**

(21) Appl. No.: **29/671,742**

(22) Filed: **Nov. 29, 2018**

(30) **Foreign Application Priority Data**

May 31, 2018 (EM) ..... 005292067

(51) **LOC (12) Cl.** ..... **25-01**

(52) **U.S. Cl.**  
USPC ..... **D25/138**

(58) **Field of Classification Search**  
USPC ..... D25/138  
CPC ... E04B 1/343; E04B 1/00; E04B 5/00; E04B  
2001/2481; E04B 2001/2484; E04B  
2002/025  
See application file for complete search history.

(56) **References Cited**

**U.S. PATENT DOCUMENTS**

D329,914 S \* 9/1992 Veilleux ..... D25/138  
D332,148 S \* 12/1992 Tal ..... D25/138

D416,337 S \* 11/1999 Suchyna ..... D25/138  
D426,321 S \* 6/2000 Lockwood ..... D25/138  
8,281,549 B2 \* 10/2012 Du ..... E04F 15/02038  
52/747.1  
9,200,445 B2 \* 12/2015 Leines ..... E04B 5/023  
9,394,698 B2 \* 7/2016 Carrubba ..... E04F 15/02033  
10,369,739 B2 \* 8/2019 Cormier ..... E04F 15/22

\* cited by examiner

*Primary Examiner* — Doris Clark

(74) *Attorney, Agent, or Firm* — King & Schickli, PLLC

(57) **CLAIM**

The ornamental design for a nesting panel, as shown and described.

**DESCRIPTION**

FIG. 1 is a top view of a nesting panel according to my design;  
FIG. 2 is a bottom perspective view thereof;  
FIG. 3 is a bottom view thereof;  
FIG. 4 is a partially cutaway end perspective view thereof;  
FIG. 5 is a right side view thereof, the left side being a mirror image; and,  
FIG. 6 is a top perspective view thereof.

**1 Claim, 3 Drawing Sheets**

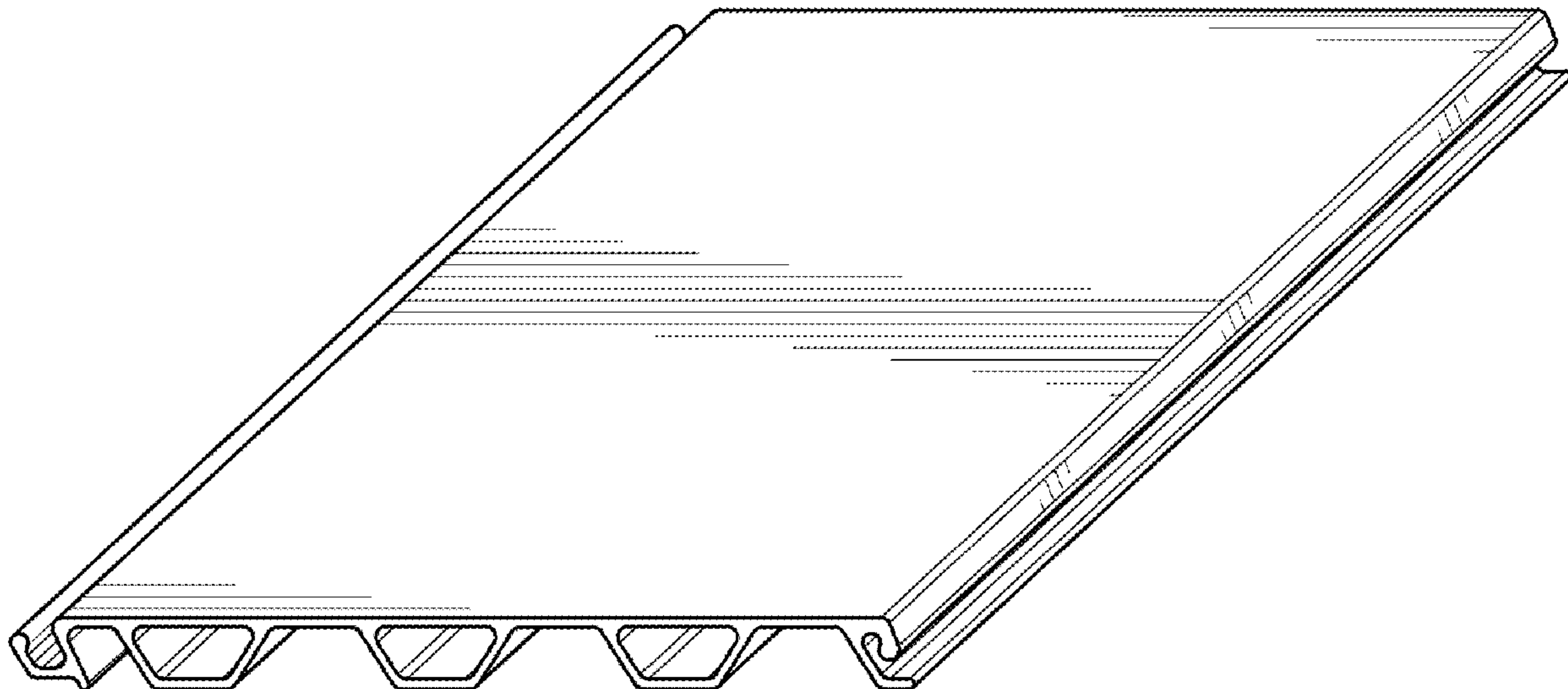




FIG. 1



FIG. 2



FIG. 3

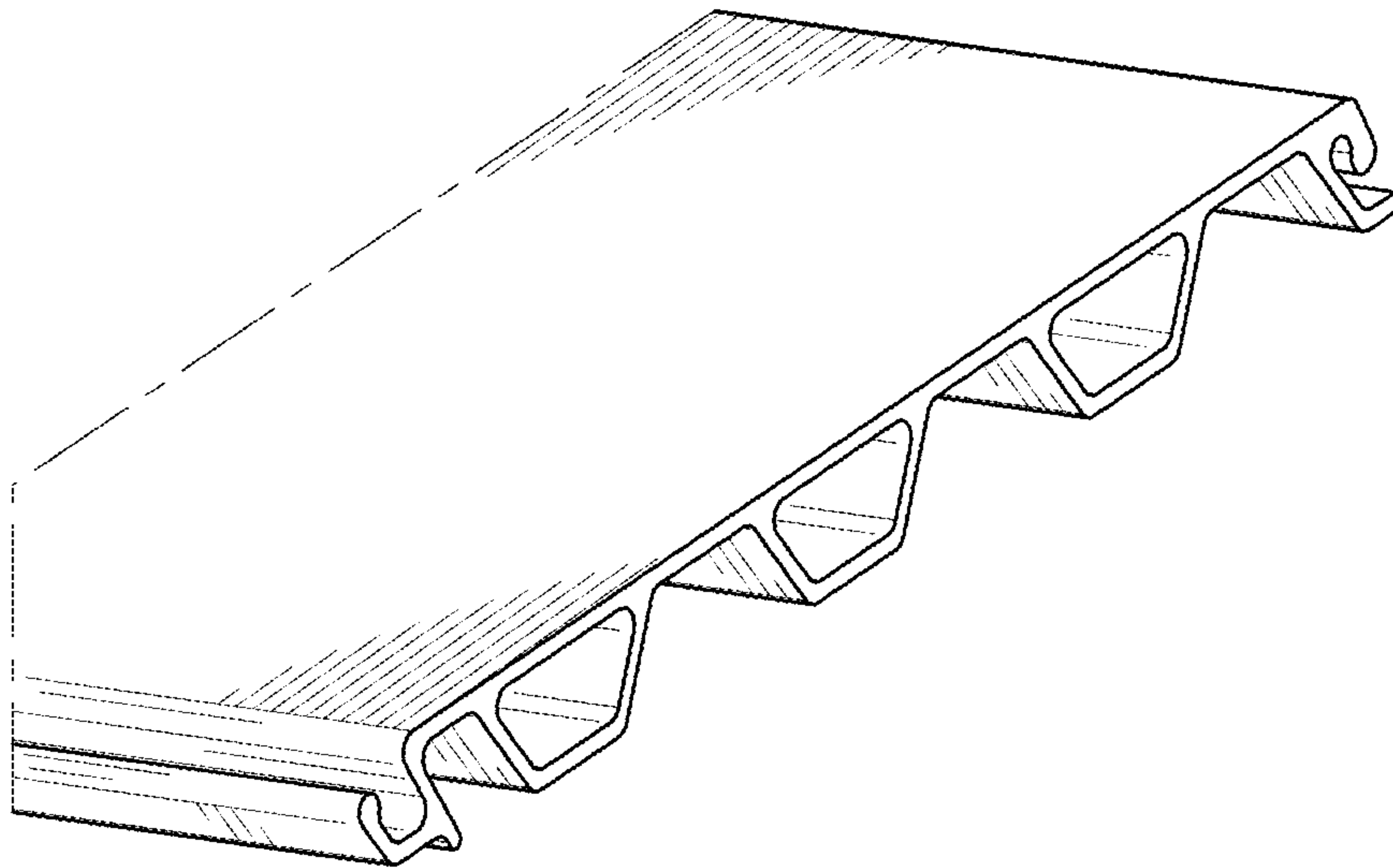


FIG. 4

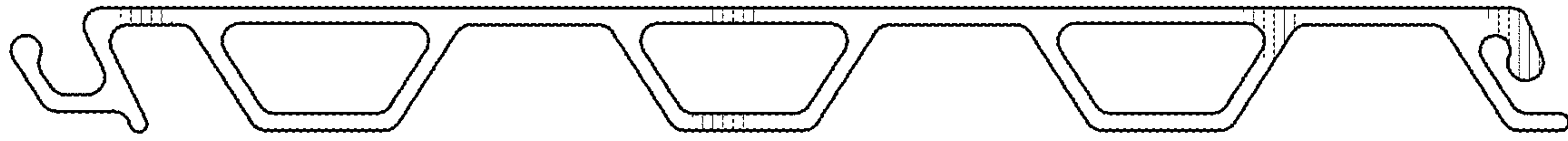


FIG. 5

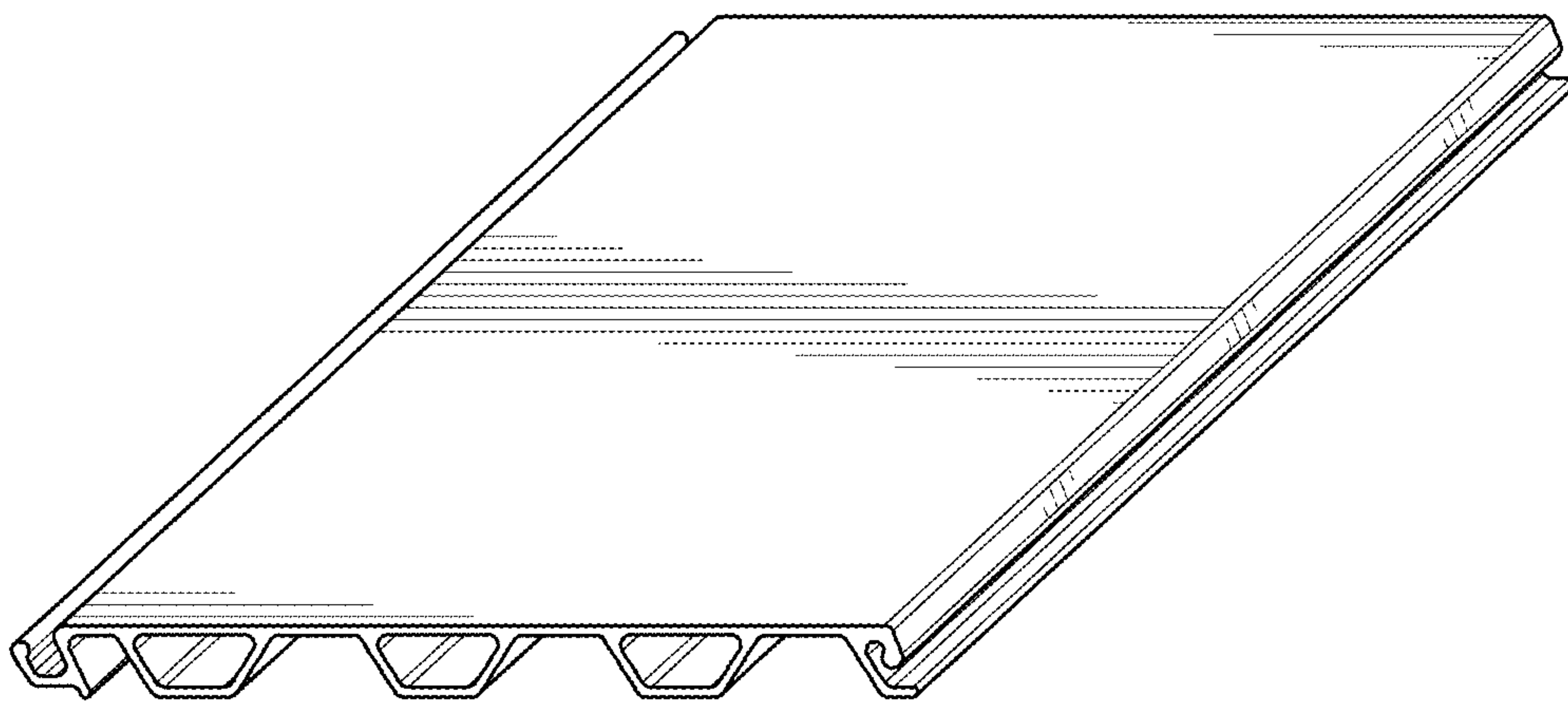


FIG. 6