



US00D900344S

(12) **United States Design Patent** (10) **Patent No.:** **US D900,344 S**  
**Becker** (45) **Date of Patent:** **\*\* Oct. 27, 2020**

(54) **SUPPORT FOR FORMWORK BEAM**  
(71) Applicant: **BRAND SHARED SERVICES LLC**,  
Kennesaw, GA (US)  
(72) Inventor: **Allan James Becker**, Richmond Hill  
(CA)

D487,161 S \* 2/2004 Svedberg ..... D25/131  
D565,388 S \* 4/2008 Concari ..... D8/355  
D572,120 S \* 7/2008 Concari ..... D8/355  
D662,398 S \* 6/2012 Jahnke ..... D8/355  
D792,614 S \* 7/2017 Thomas ..... D25/127  
D806,903 S \* 1/2018 Fraas ..... D25/126  
D806,904 S \* 1/2018 DeBellis ..... D25/126  
2008/0203252 A1 \* 8/2008 Becker ..... E04G 17/16  
248/218.4

(\*\*) Term: **15 Years**

**FOREIGN PATENT DOCUMENTS**

(21) Appl. No.: **29/659,059**

EM 005556537-0001 \* 8/2018  
GB 6066012 \* 7/2019  
KR 300934198.0000 \* 12/2017

(22) Filed: **Aug. 6, 2018**

(30) **Foreign Application Priority Data**

\* cited by examiner

Feb. 6, 2018 (CA) ..... 179640

*Primary Examiner* — Leanne Was-Englehart

(51) **LOC (12) Cl.** ..... **25-01**

(57) **CLAIM**

(52) **U.S. Cl.**  
USPC ..... **D25/127**

The ornamental design for a support for formwork beam, as shown and described.

(58) **Field of Classification Search**  
USPC ..... D8/349, 354, 355, 363, 373, 380;  
D25/126, 127, 128, 131, 132, 133, 134  
CPC ..... E04G 17/16; E04H 12/24; E04H 17/20;  
F21W 2131/109  
See application file for complete search history.

**DESCRIPTION**

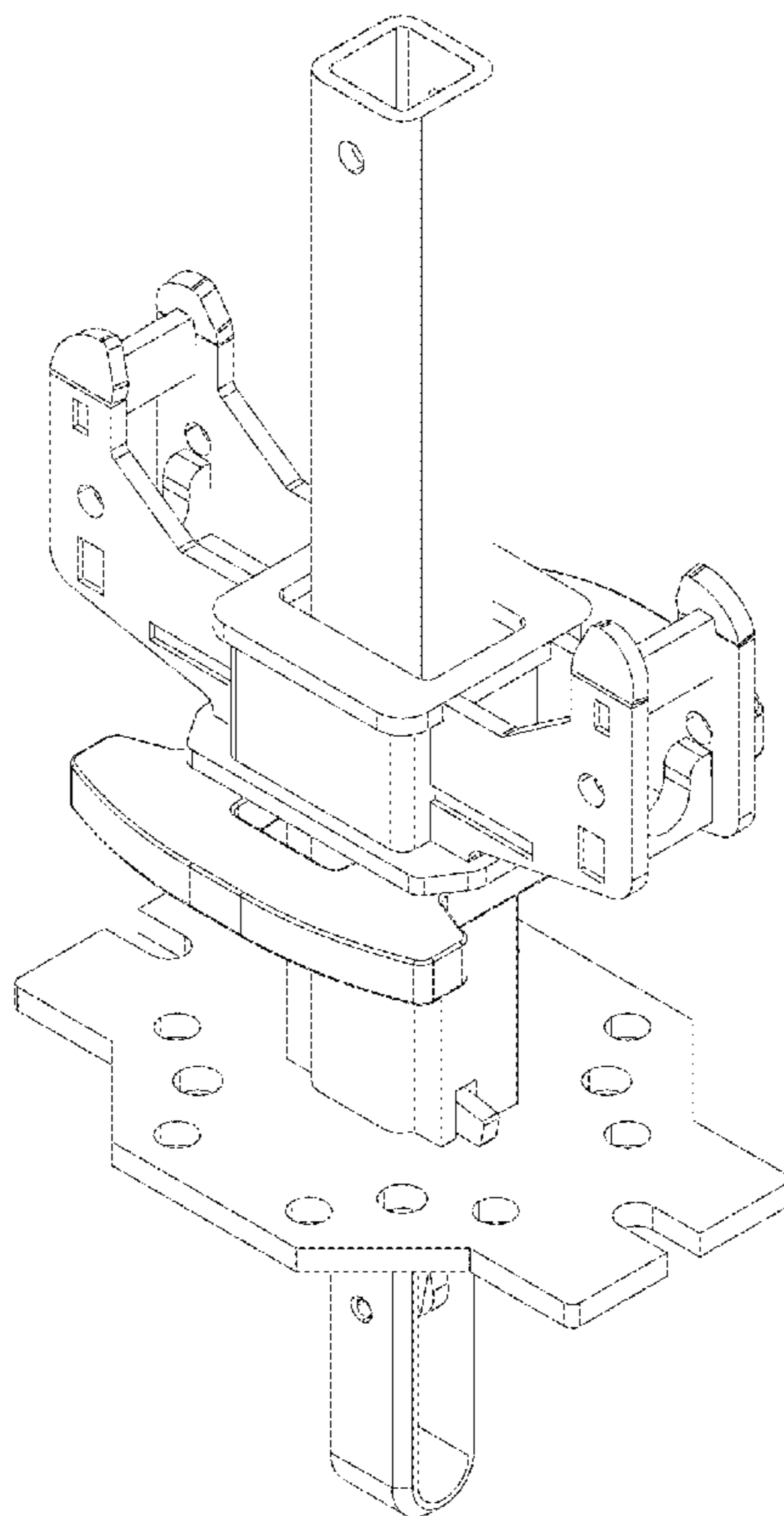
FIG. 1 is a front perspective view of a support for formwork beam, illustrating the design;  
FIG. 2 is a front view thereof;  
FIG. 3 is a back view thereof;  
FIG. 4 is a left side view thereof;  
FIG. 5 is a right side view thereof;  
FIG. 6 is a top view thereof; and,  
FIG. 7 is a bottom view thereof.

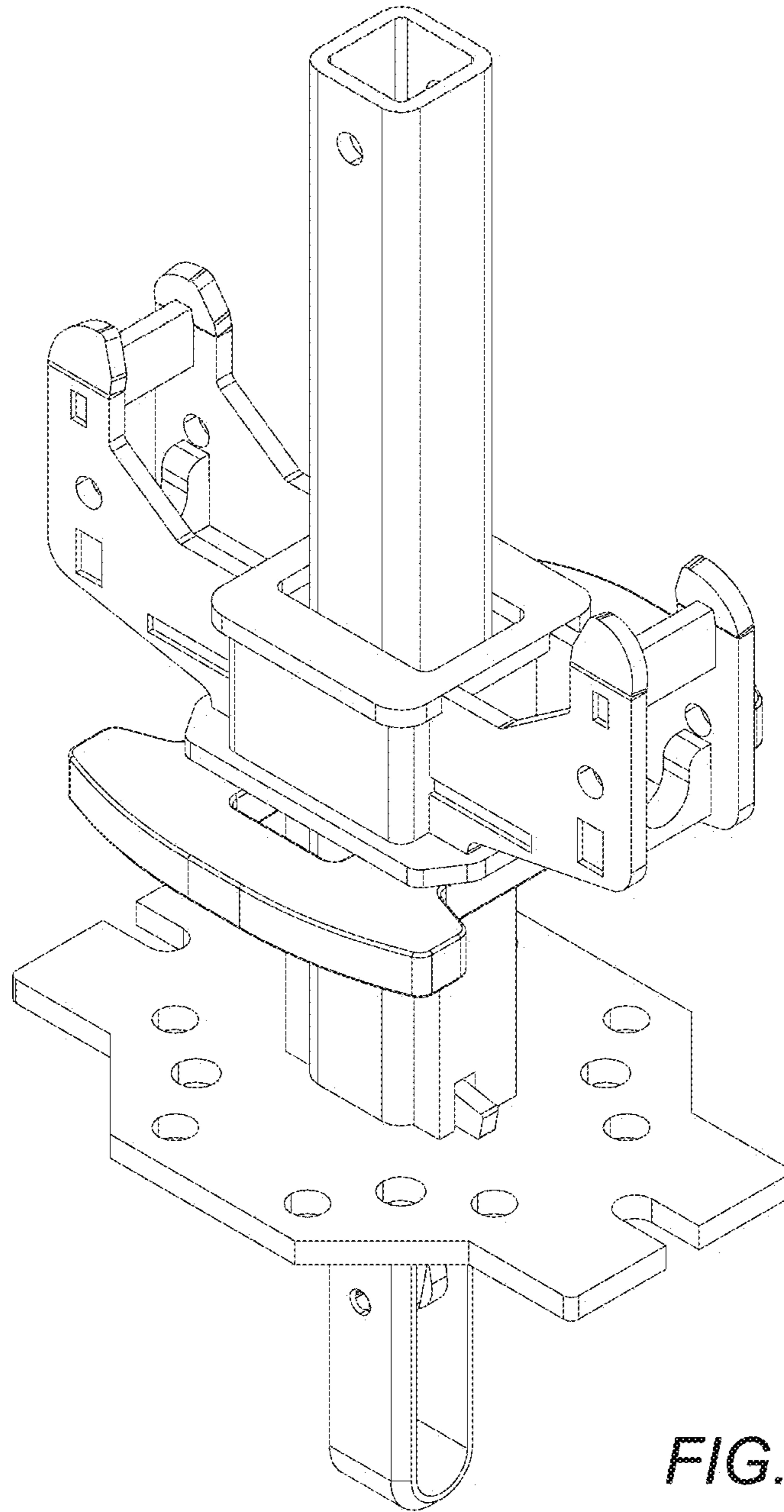
(56) **References Cited**

**U.S. PATENT DOCUMENTS**

D258,194 S \* 2/1981 Stanley ..... D25/126  
D377,751 S \* 2/1997 Koebbe ..... D8/355

**1 Claim, 7 Drawing Sheets**





**FIG. 1**

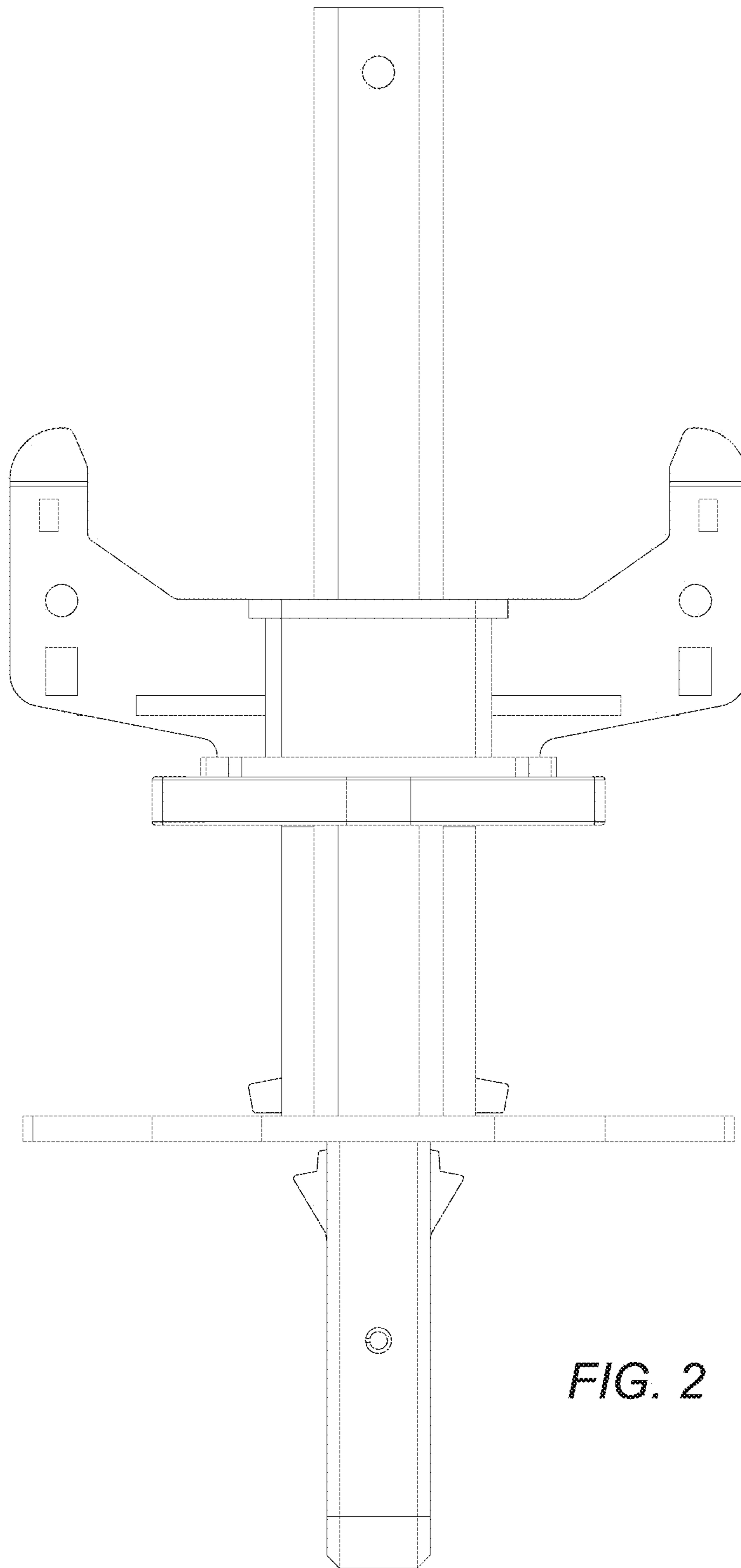


FIG. 2

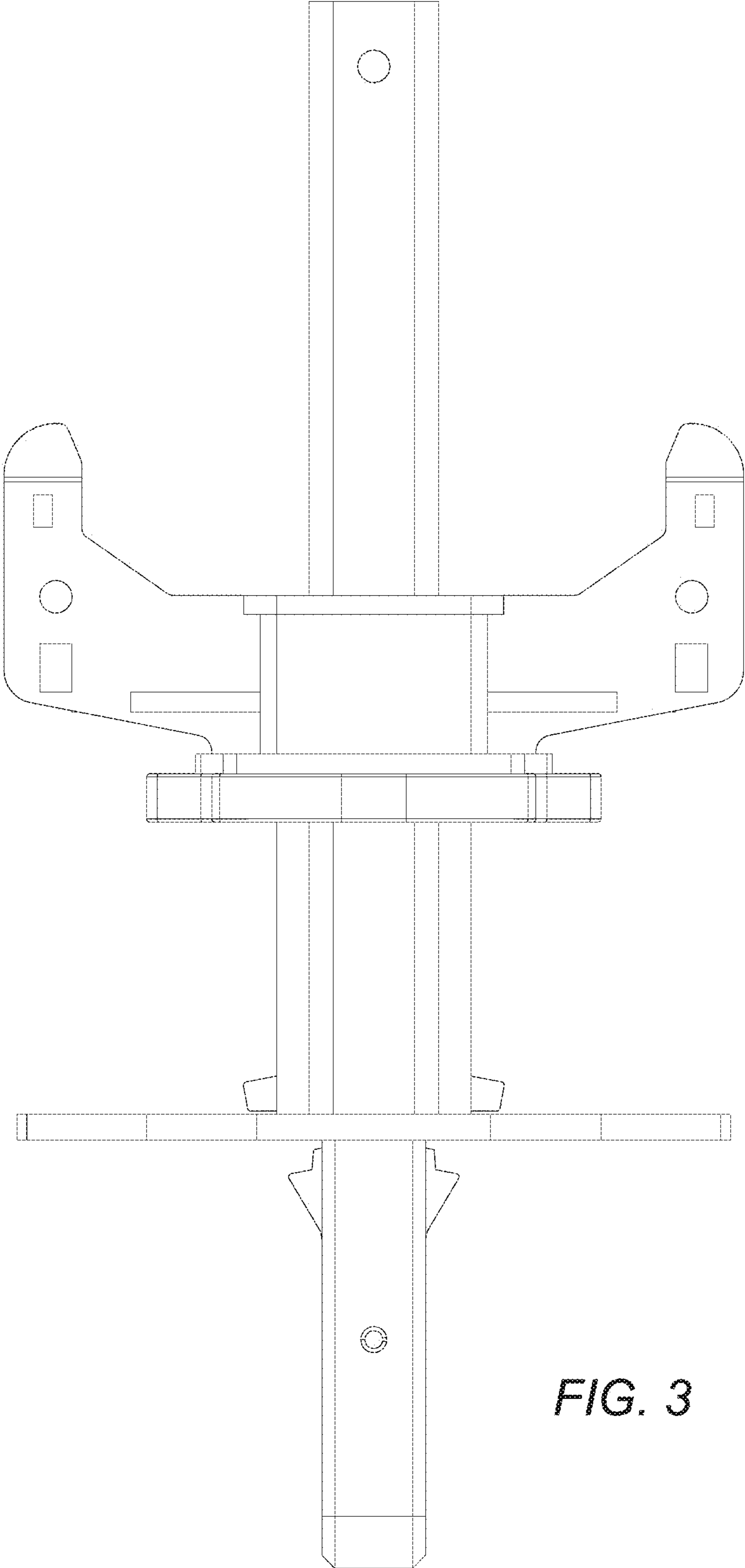


FIG. 3

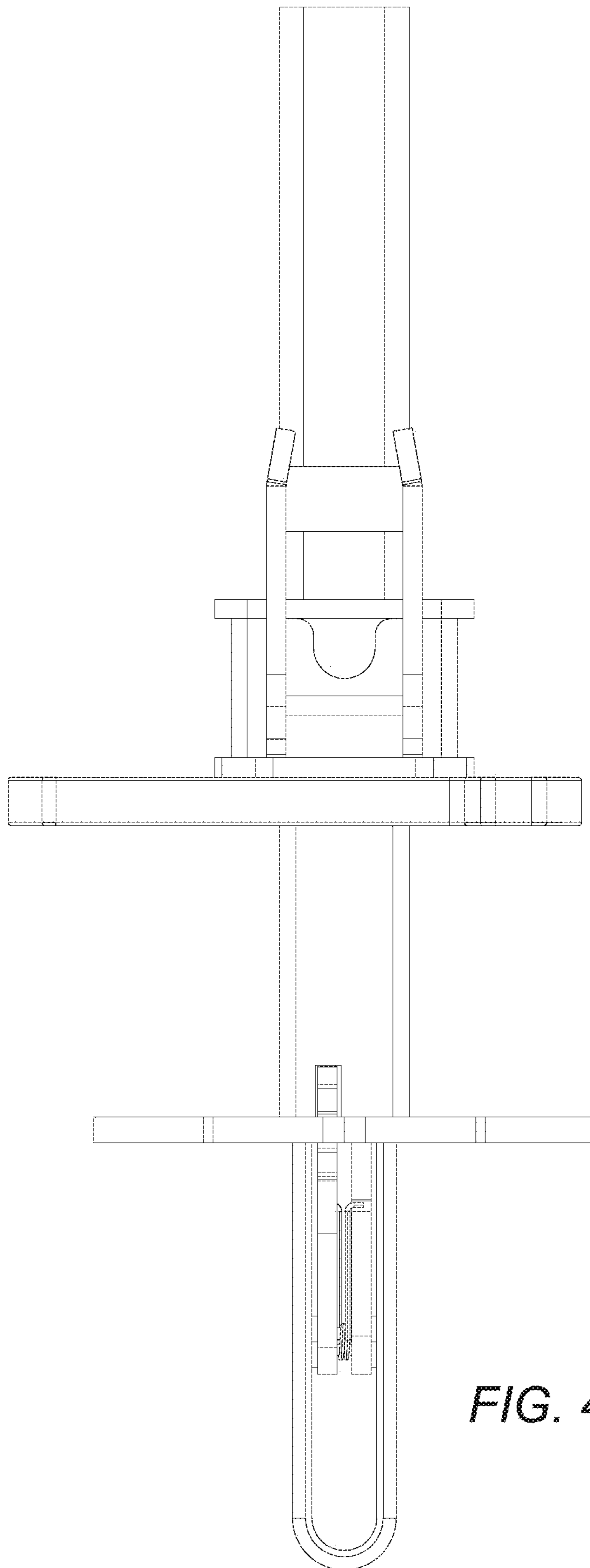


FIG. 4

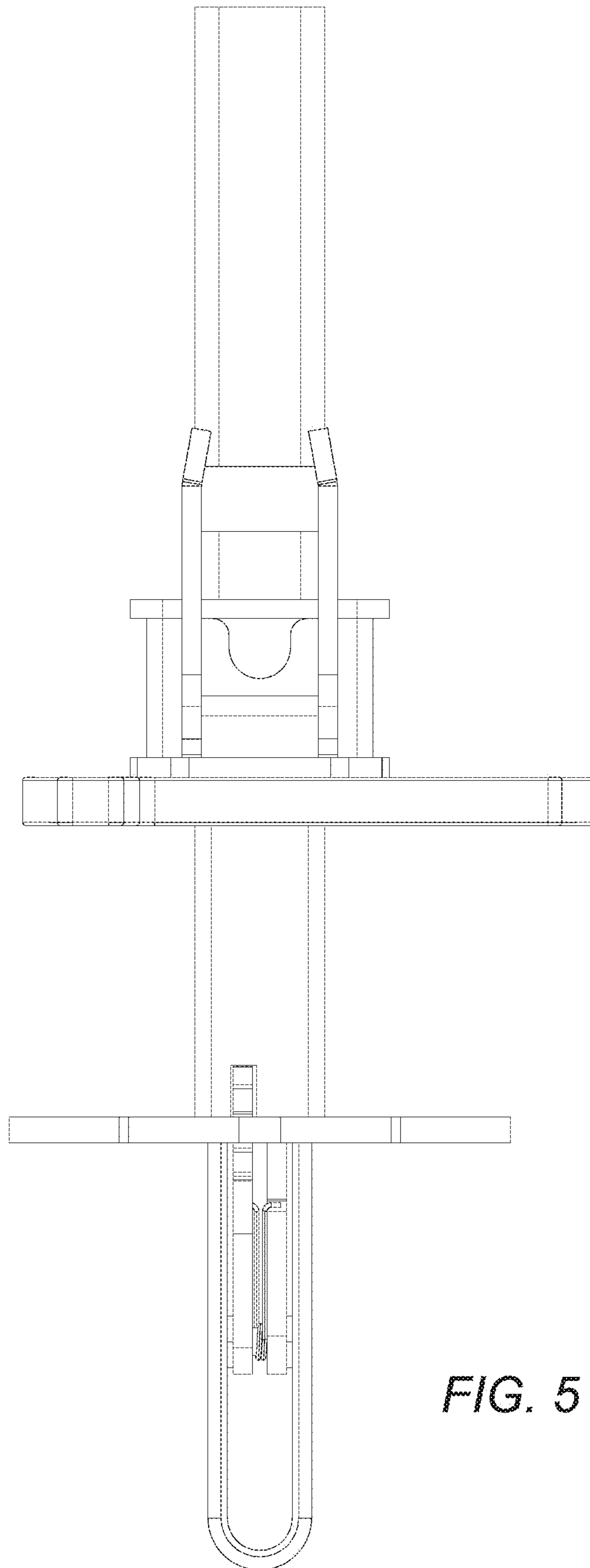


FIG. 5

FIG. 6

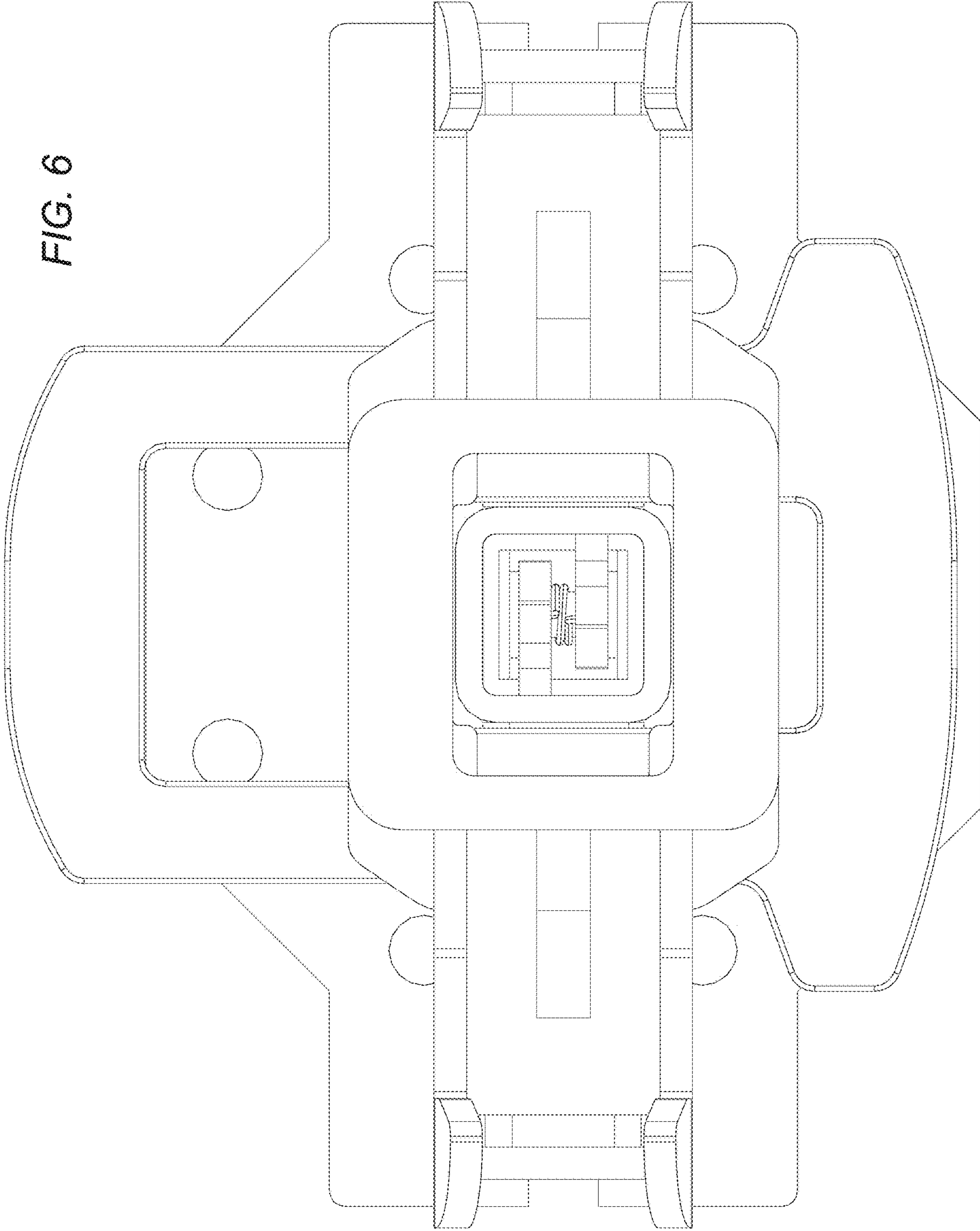


FIG. 7

