



US00D900342S

(12) **United States Design Patent** (10) **Patent No.:** **US D900,342 S**
Rainey (45) **Date of Patent:** **** Oct. 27, 2020**

(54) **RETAINING WALL BLOCK**
(71) Applicant: **Earth Wall Products, LLC**, Marietta, GA (US)
(72) Inventor: **Thomas L. Rainey**, Marietta, GA (US)
(73) Assignee: **EARTH WALL PRODUCTS, LLC**, Marietta, GA (US)

D768,876 S * 10/2016 Lindberg D25/113
D773,693 S * 12/2016 Karau D25/113
D846,760 S * 4/2019 Lundell D25/114
D877,936 S * 3/2020 Lindberg D25/113
2011/0243669 A1* 10/2011 Friederichs E02D 29/0225
405/284
2018/0257271 A1* 9/2018 Karau E02D 29/0266

(**) Term: **15 Years**
(21) Appl. No.: **29/686,267**

FOREIGN PATENT DOCUMENTS

EM 004017192-0001 * 6/2017
JP D1553212 * 7/2016
KR 300947062.0000 * 3/2018

(22) Filed: **Apr. 3, 2019**
(51) **LOC (12) Cl.** **25-01**
(52) **U.S. Cl.**
USPC **D25/118**
(58) **Field of Classification Search**
USPC D25/112-118
CPC ... E04C 1/00; E04C 1/395; E04C 1/41; E04B
1/02; E04B 1/04; E04B 1/41; E04B
2002/026; E04B 2002/0269; B28B
11/0863; B28B 17/0027; E02D 29/02;
E02D 29/025; E02D 29/0266; E02D
29/0225; E02D 29/0233; E04F 13/0801;
E04F 13/24; E04F 13/147
See application file for complete search history.

OTHER PUBLICATIONS

Trinity-Lever-Sell-Sheet <https://earthwallproducts.com/wp-content/uploads/Trinity-Lever-Sell-Sheet.pdf> Available Jun. 21, 2019 (Year: 2019).*

* cited by examiner

Primary Examiner — Leanne Was-Englehart
(74) *Attorney, Agent, or Firm* — Thomas | Horstemeyer, LLP

(57) **CLAIM**

The ornamental design for a retaining wall block, as shown and described.

(56) **References Cited**

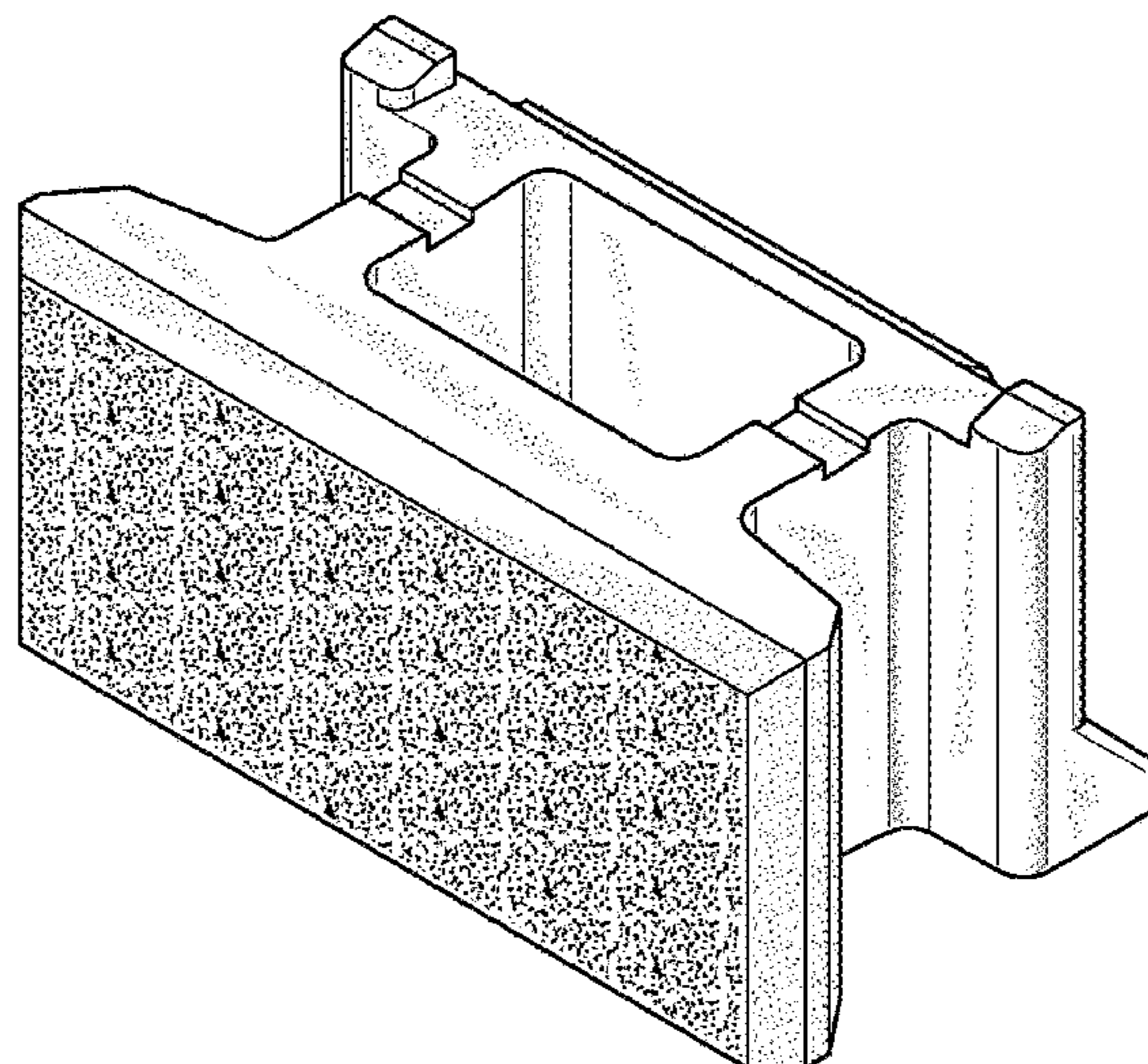
U.S. PATENT DOCUMENTS

2,684,589 A * 7/1954 Perreton E04B 2/42
52/591.2
6,821,058 B1 * 11/2004 Dawson E02D 29/025
405/284
D514,233 S * 1/2006 Hammer D25/118
D532,119 S * 11/2006 Hammer D25/118
D575,413 S * 8/2008 Hammer D25/113
D645,575 S * 9/2011 Bone D25/113
D650,918 S * 12/2011 Hammer D25/113
D662,612 S * 6/2012 Dyson D25/113
D694,914 S * 12/2013 MacDonald D25/113
8,684,635 B2 * 4/2014 Rainey E02D 29/025
405/284

DESCRIPTION

FIG. 1 is a perspective view showing the front, top, and right side of my new retaining wall block;
FIG. 2 is a perspective view showing the rear, top, and left side thereof;
FIG. 3 is the left side view thereof;
FIG. 4 is the right side view thereof;
FIG. 5 is a front view thereof;
FIG. 6 is a back view thereof;
FIG. 7 is the top view thereof; and,
FIG. 8 is the bottom view thereof.

1 Claim, 8 Drawing Sheets



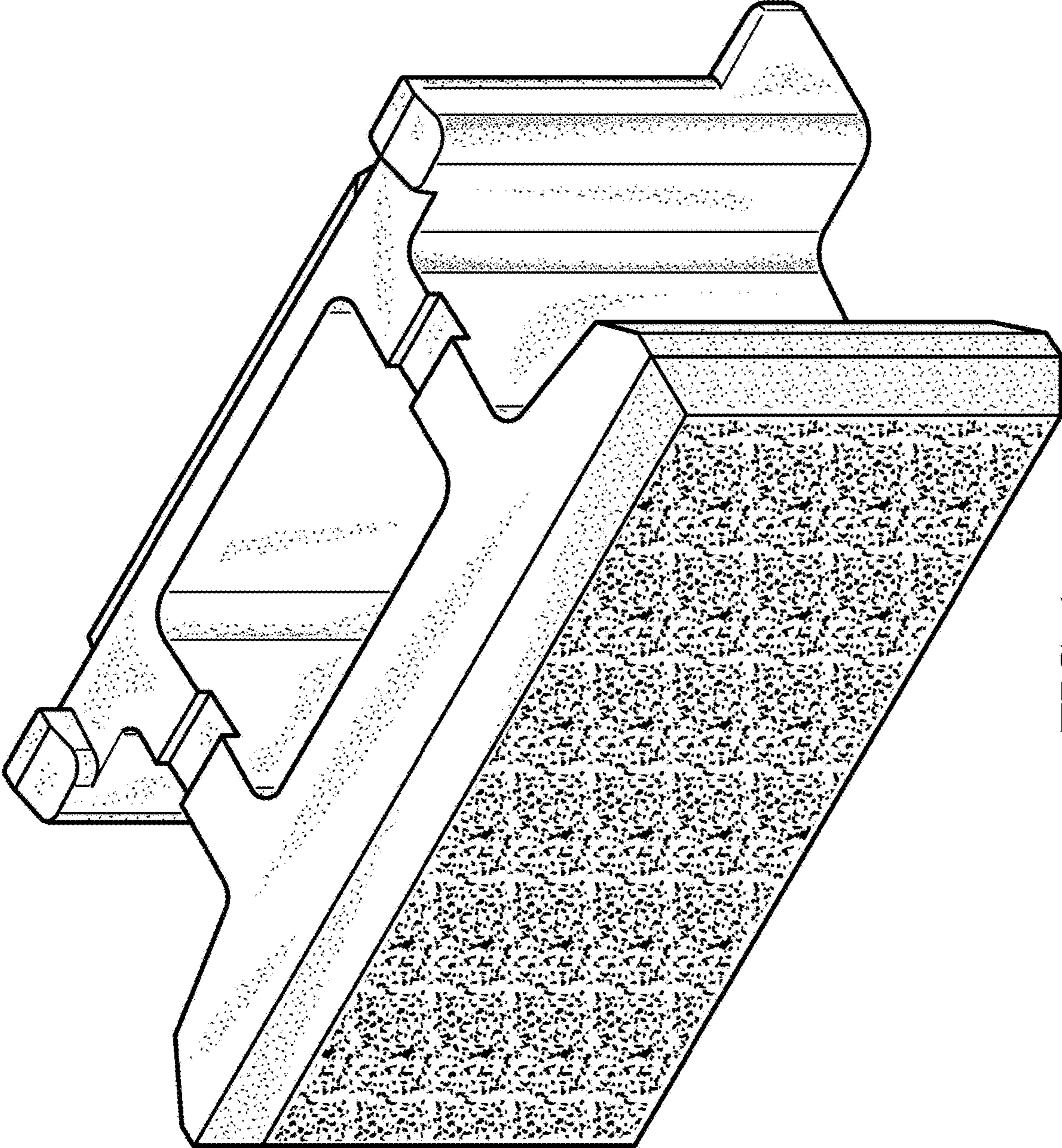


FIG. 1

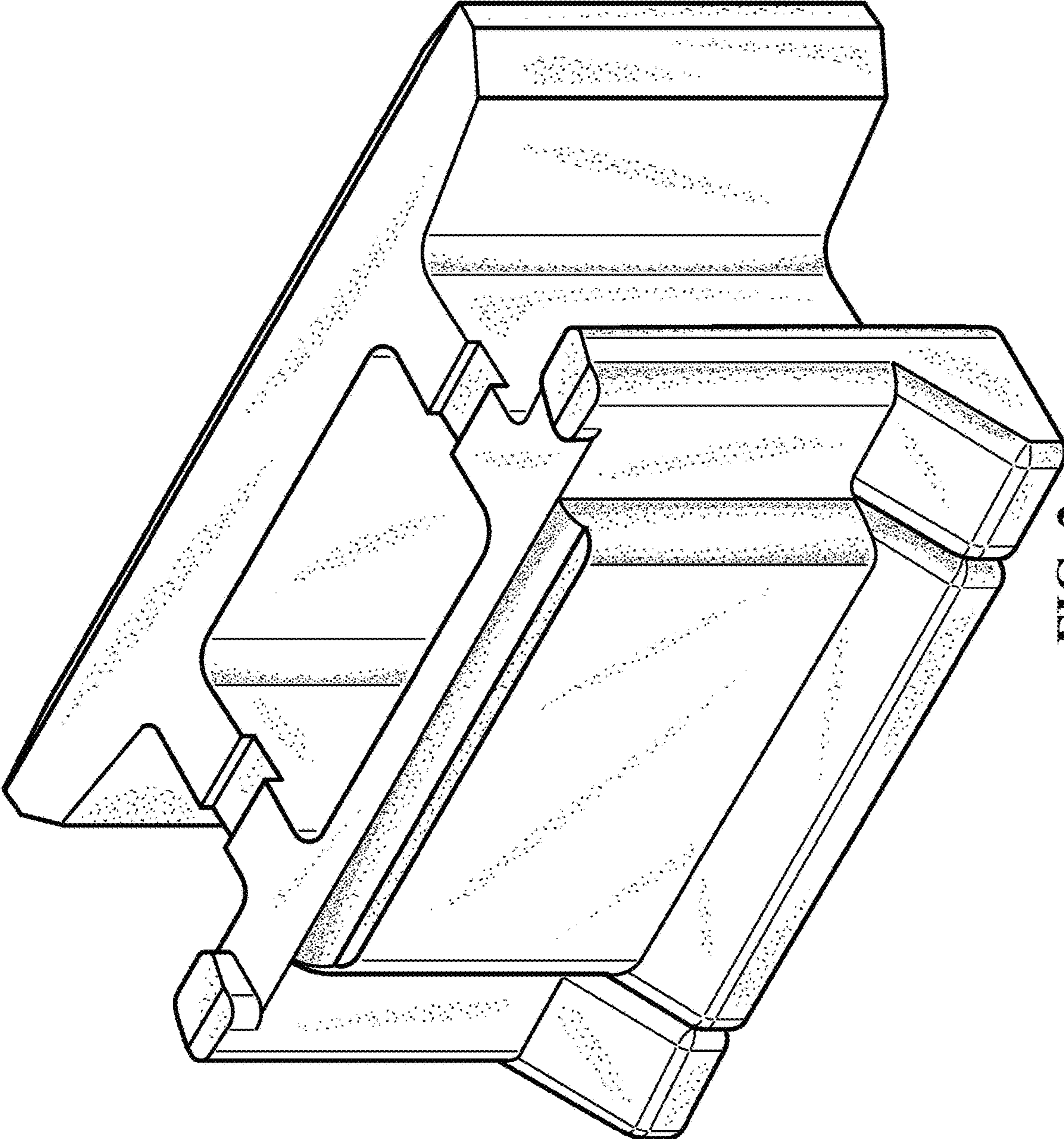


FIG. 2

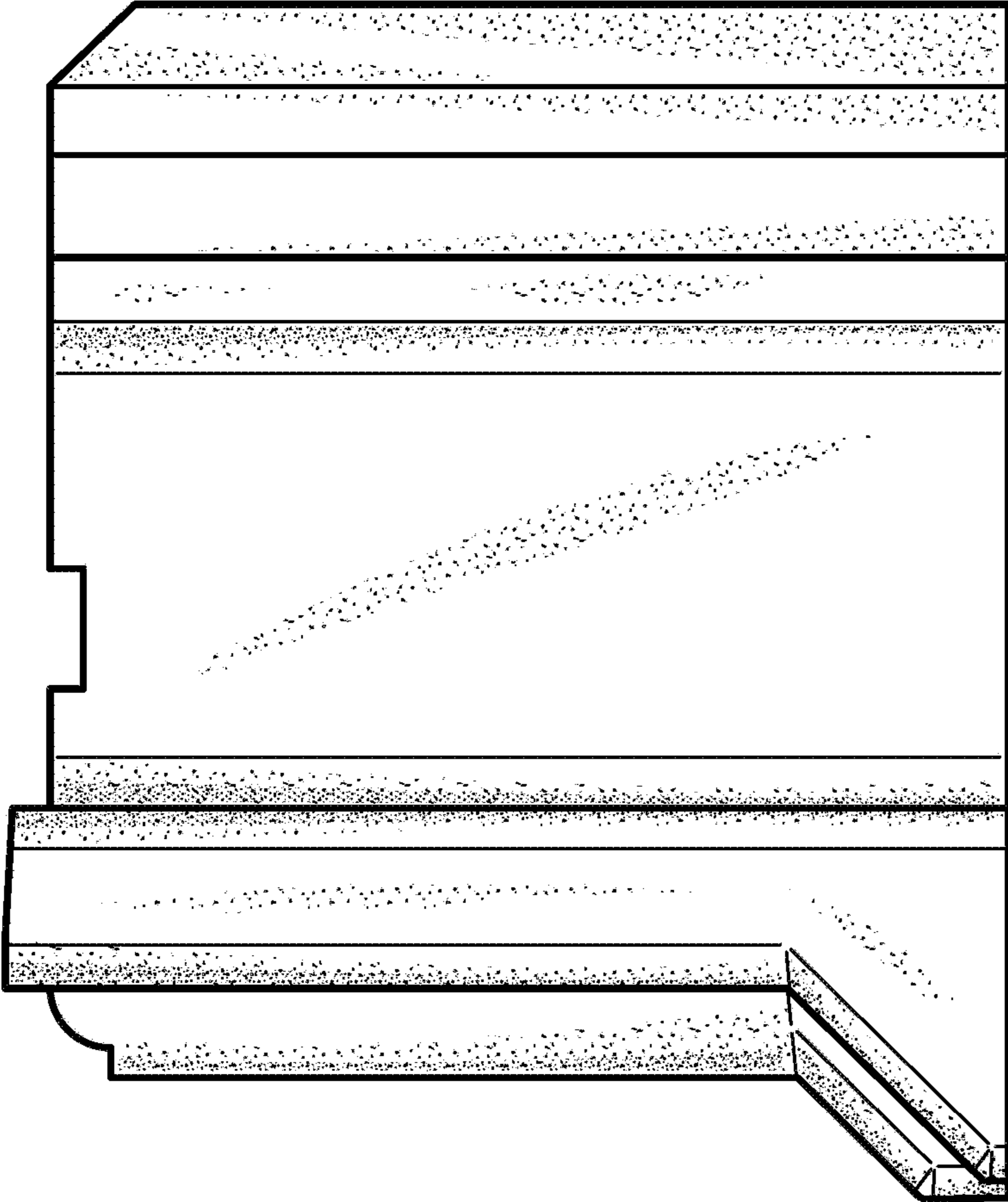


FIG. 3

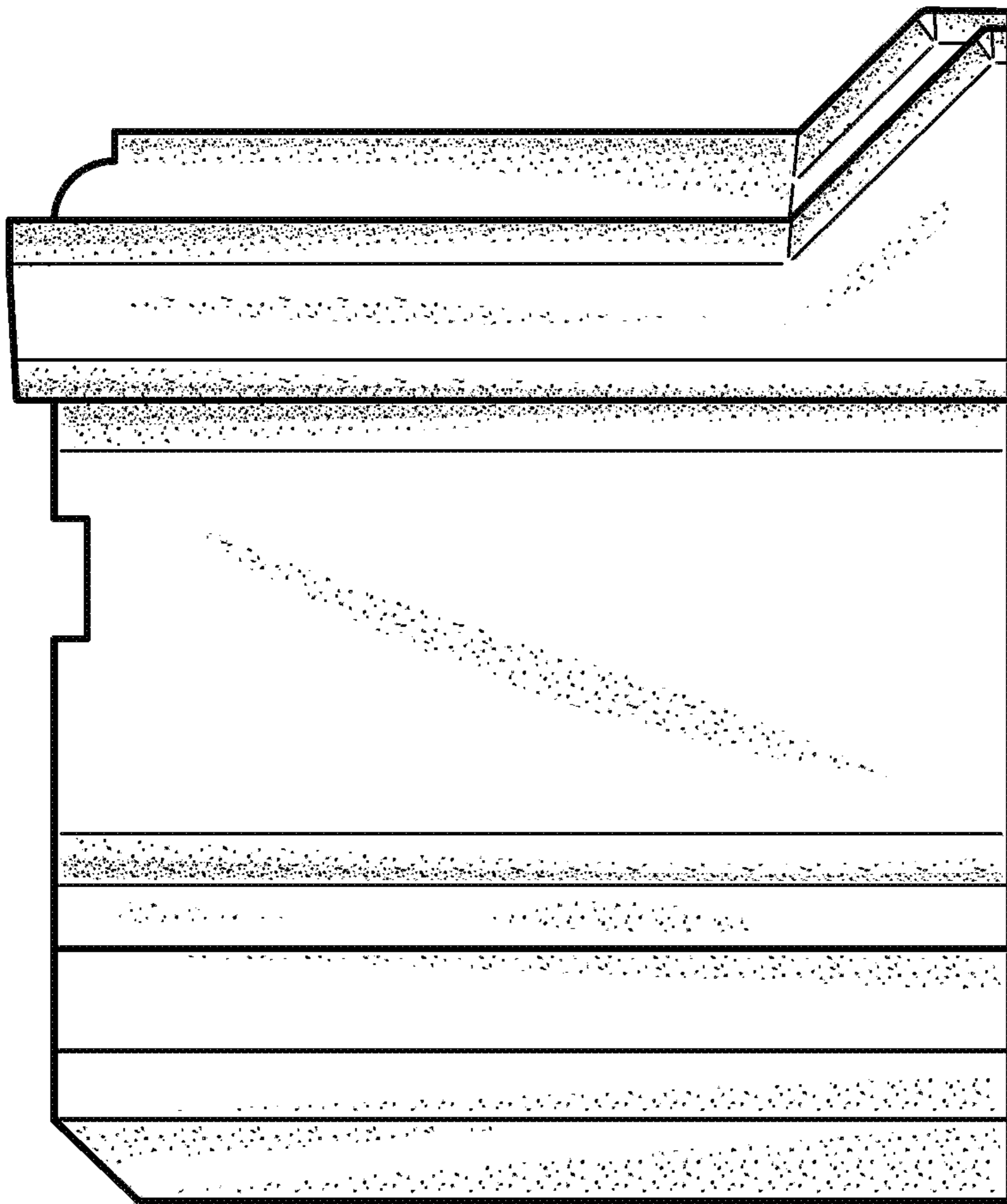


FIG. 4

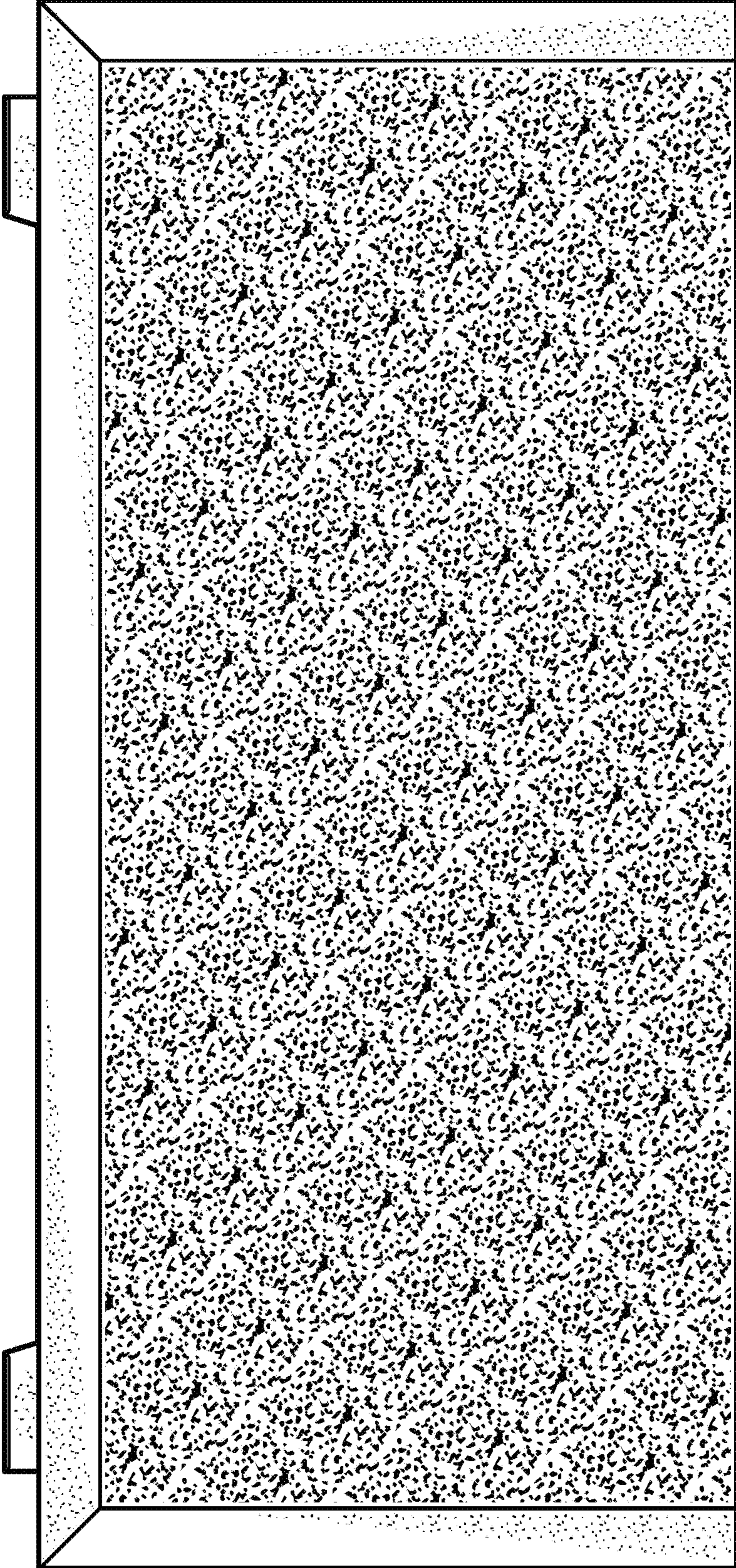


FIG. 5

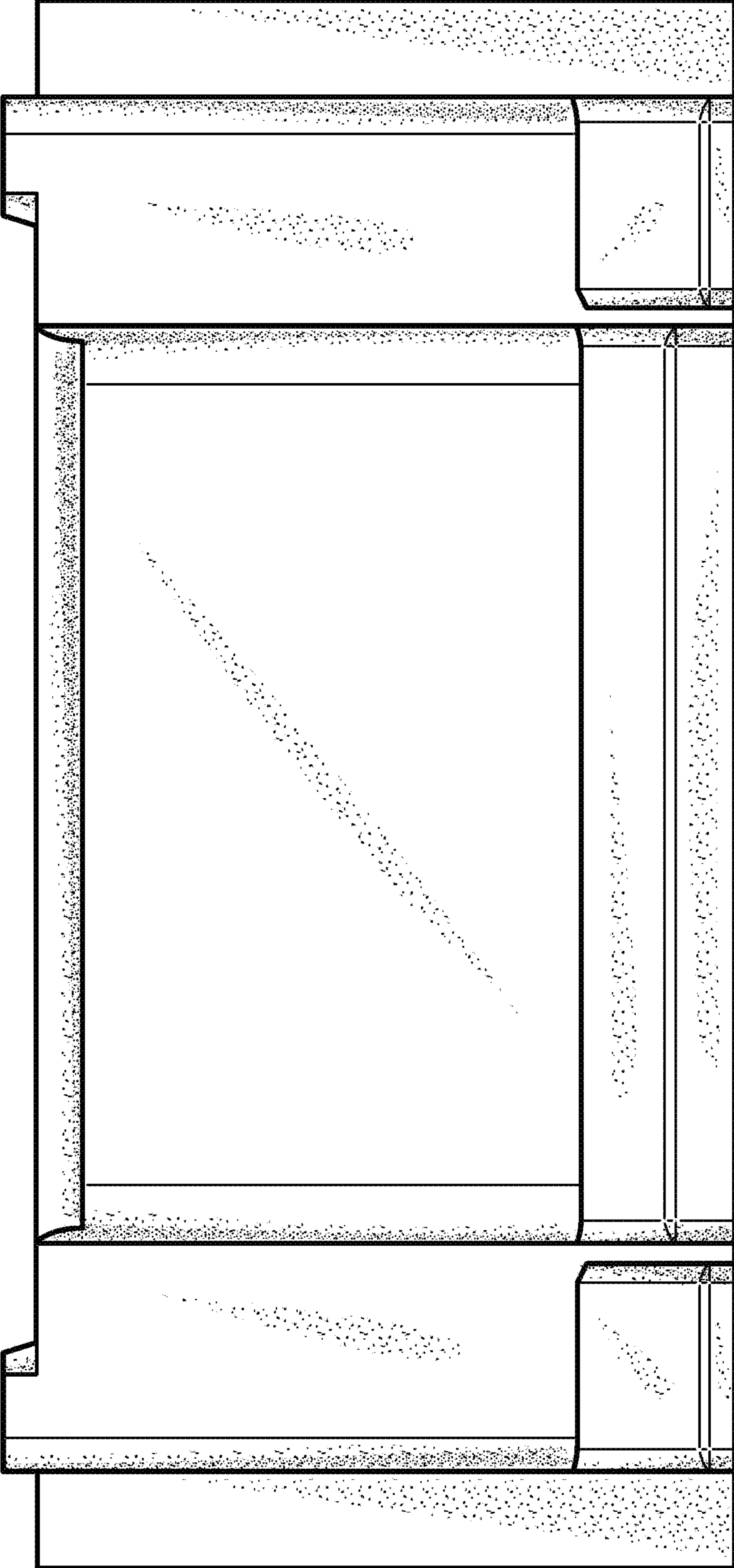


FIG. 6

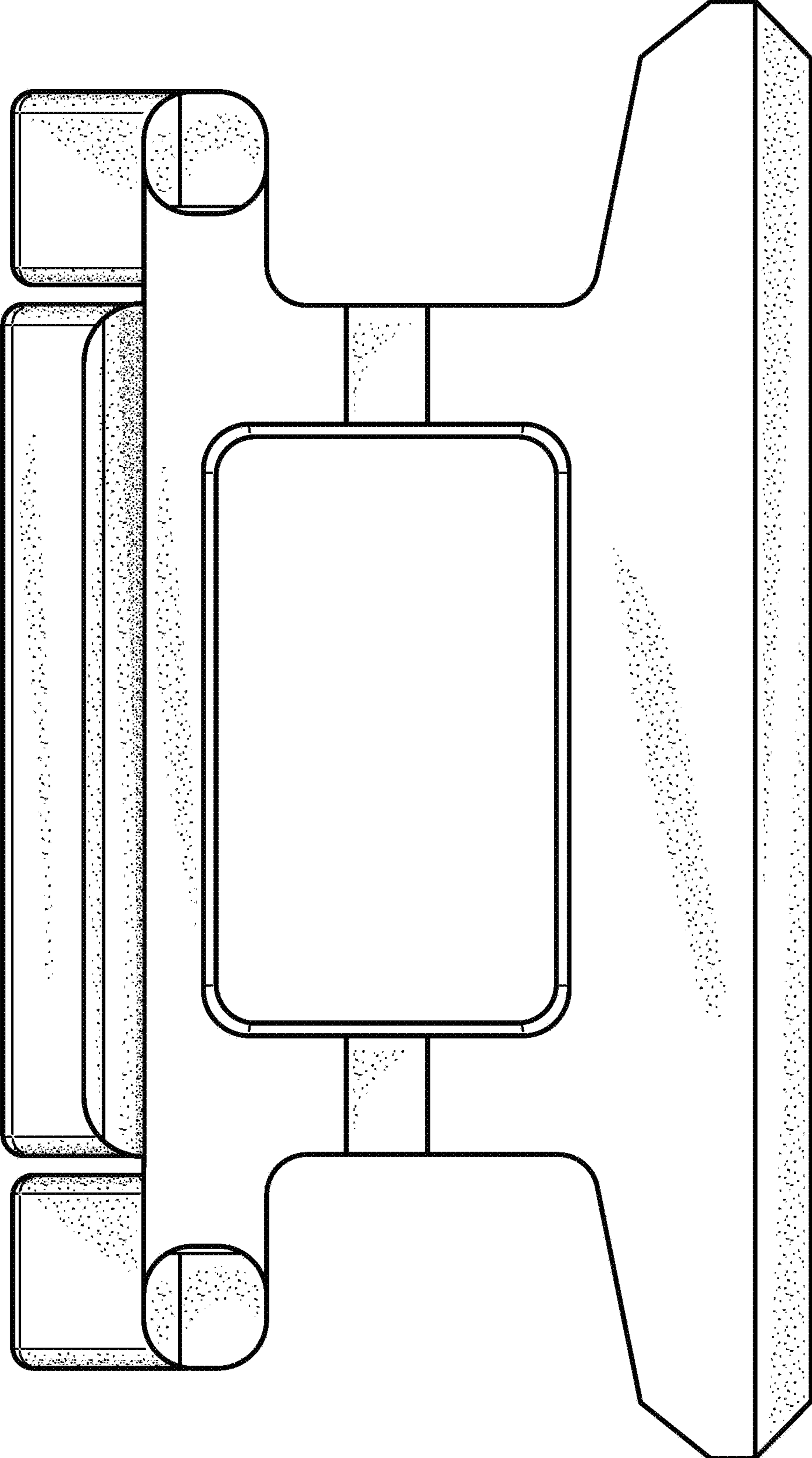


FIG. 7

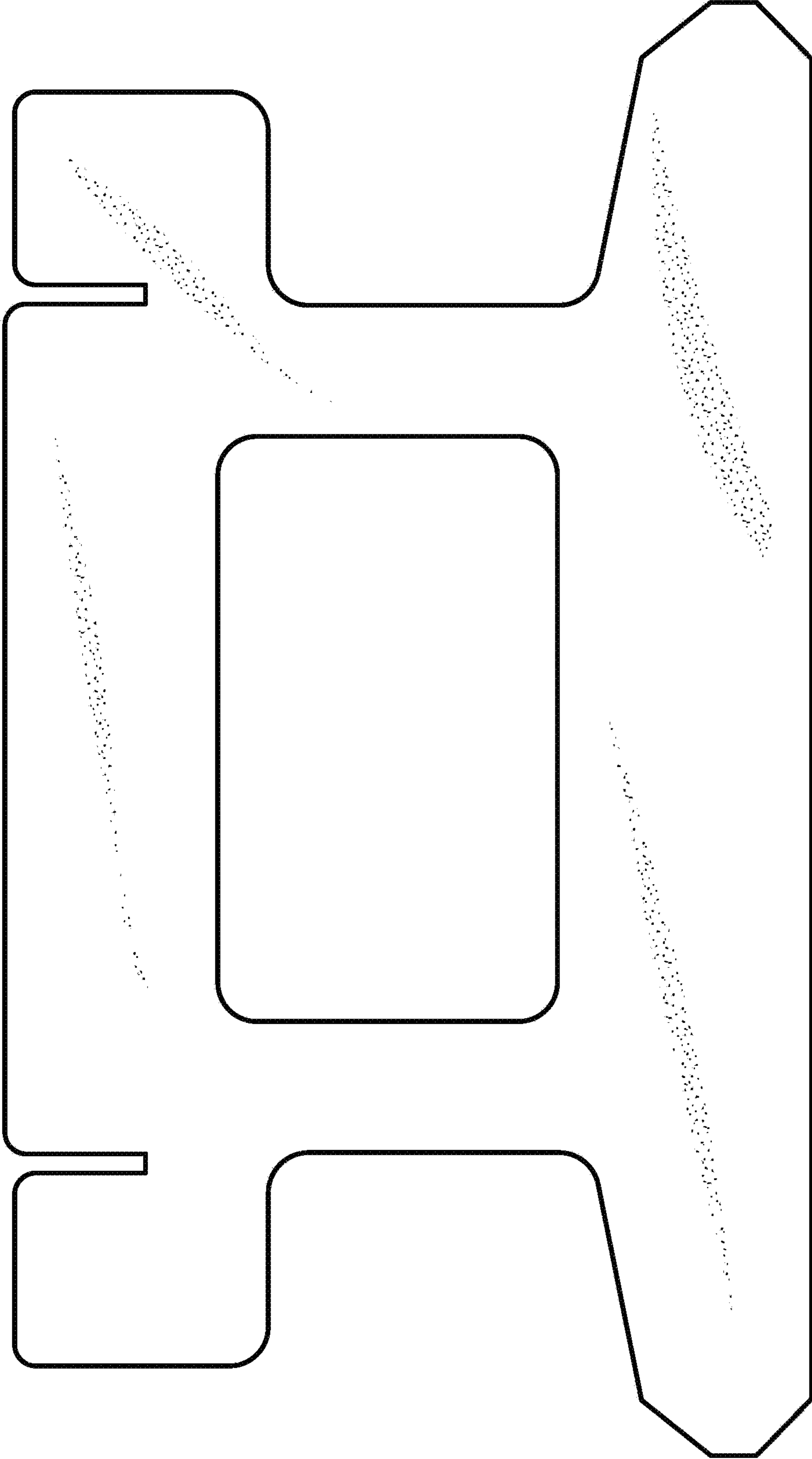


FIG. 8