



US00D900341S

(12) **United States Design Patent** (10) **Patent No.:** **US D900,341 S**
Pegg (45) **Date of Patent:** **** Oct. 27, 2020**

- (54) **RETAINING WALL BLOCK**
- (71) Applicant: **Western Interlock, Inc.**, Rickreall, OR (US)
- (72) Inventor: **Wyatt Pegg**, Rickreall, OR (US)
- (73) Assignee: **Western Interlock, Inc.**, Rickreall, OR (US)
- (**) Term: **15 Years**
- (21) Appl. No.: **29/713,689**
- (22) Filed: **Nov. 18, 2019**

Related U.S. Application Data

- (62) Division of application No. 29/621,175, filed on Oct. 5, 2017, now Pat. No. Des. 867,620.
- (51) **LOC (12) Cl.** **25-01**
- (52) **U.S. Cl.**
USPC **D25/114**
- (58) **Field of Classification Search**
USPC D21/484–486, 499–505; D25/112–118
(Continued)

(56) **References Cited**

U.S. PATENT DOCUMENTS

- 5,294,216 A * 3/1994 Sievert B28B 7/0097
405/262
- 5,622,456 A 4/1997 Risi et al.
(Continued)

FOREIGN PATENT DOCUMENTS

- AU 200027651 B2 11/2000
- AU 200191446 B2 5/2002
(Continued)

OTHER PUBLICATIONS

Angelus Planter Wall—Angelus Paving Stones <https://www.angeluspavingstones.com/collections/decorative-walls/planter-walls/> Available Nov. 2012 (Year: 2012).*

(Continued)

Primary Examiner — Leanne Was-Englehart
(74) *Attorney, Agent, or Firm* — McKee, Voorhees & Sease, PLC

(57) **CLAIM**

I claim the ornamental design for a retaining wall block, substantially as shown and described.

DESCRIPTION

FIG. 1 is a perspective view of the first configuration of the retaining wall block, according to the present invention, with structure shown in broken lines not being a part of the claimed invention.

FIG. 2 is a front elevation view of the retaining wall block shown in FIG. 1, with structure shown in broken lines not being a part of the claimed invention.

FIG. 3 is a rear elevation view of the retaining wall block shown in FIG. 1.

FIG. 4 is a left end view of the retaining wall block shown in FIG. 1.

FIG. 5 is right end view of the retaining wall block shown in FIG. 1.

FIG. 6 is a top plan view of the retaining wall block shown in FIG. 1.

FIG. 7 is a bottom plan view of the retaining wall block shown in FIG. 1.

FIG. 8 is a perspective view of the second configuration of the retaining wall block, with structure shown in broken lines not being a part of the claimed invention.

FIG. 9 is a front elevation view of the retaining wall block shown in FIG. 8, with structure shown in broken lines not being a part of the claimed invention.

FIG. 10 is a rear elevation view of the retaining wall block shown in FIG. 8.

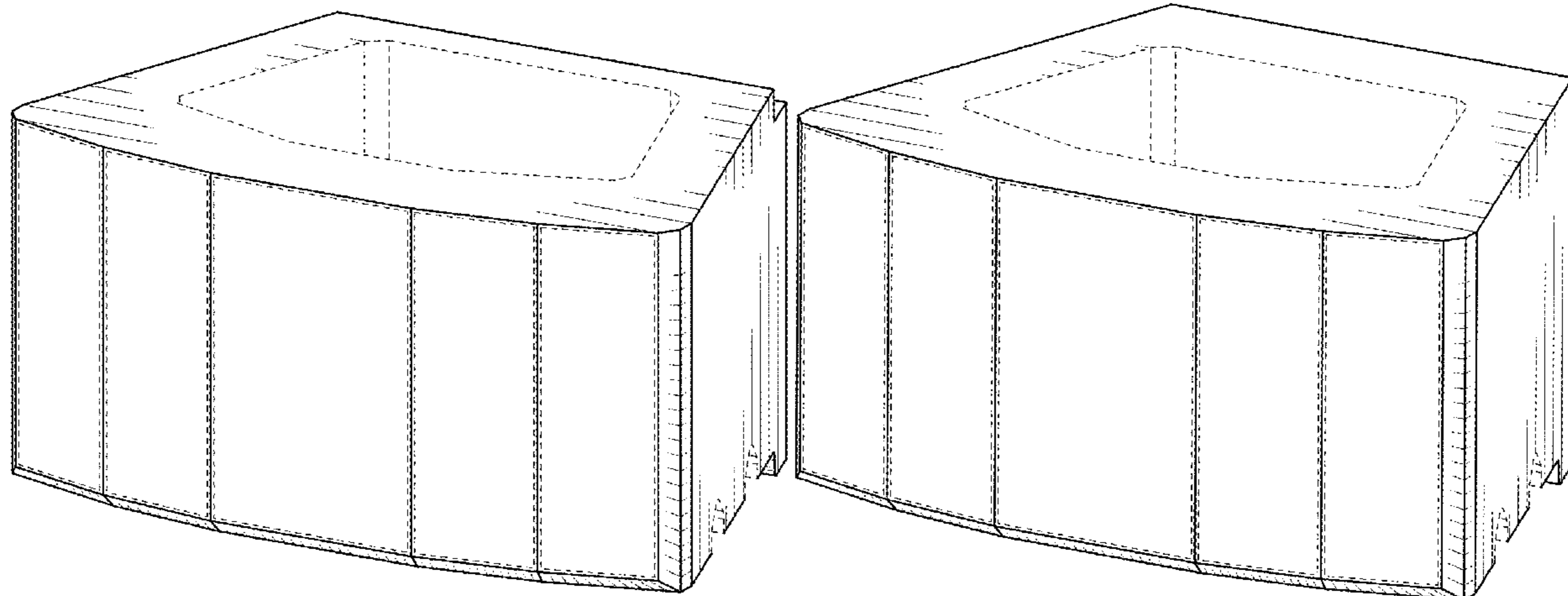
FIG. 11 is a left end view of the retaining wall block shown in FIG. 8.

FIG. 12 is right end view of the retaining wall block shown in FIG. 8.

FIG. 13 is a top plan view of the retaining wall block shown in FIG. 8; and,

FIG. 14 is a bottom plan view of the retaining wall block shown in FIG. 8.

1 Claim, 8 Drawing Sheets



US D900,341 S

Page 2

(58) **Field of Classification Search**

CPC ... E02D 29/02; E02D 29/025; E02D 29/0225;
E02D 29/0241; E04B 2/00; B28B 7/162
See application file for complete search history.

(56) **References Cited**

U.S. PATENT DOCUMENTS

5,707,184 A * 1/1998 Anderson B29C 49/2408
405/262
D397,451 S * 8/1998 Stevenson D25/115
5,941,042 A * 8/1999 Dueck E04C 1/395
405/286
D430,680 S * 9/2000 Blomquist D25/113
6,168,354 B1 * 1/2001 Martin E02D 29/025
405/284
6,178,715 B1 1/2001 Pacitto et al.
6,398,458 B1 6/2002 Pacitto et al.
D467,009 S * 12/2002 Agee D25/113
6,701,687 B1 * 3/2004 Shillingburg E02D 29/0241
405/284
6,829,867 B2 12/2004 Gresser et al.
6,871,468 B2 * 3/2005 Whitson E02D 29/025
52/169.4
7,360,970 B2 4/2008 Woolford et al.
7,963,727 B1 6/2011 Wauhopp
D645,575 S * 9/2011 Bone D25/113
D663,858 S * 7/2012 MacDonald D25/113
D666,740 S * 9/2012 MacDonald D25/113
D667,566 S * 9/2012 MacDonald D25/113
D685,502 S * 7/2013 MacDonald D25/113
D689,203 S * 9/2013 MacDonald D25/114
D689,204 S * 9/2013 MacDonald D25/114
D694,914 S * 12/2013 MacDonald D25/113

8,684,633 B2 4/2014 Rainey
D708,765 S * 7/2014 MacDonald D25/113
8,882,398 B2 11/2014 Bender et al.
D731,676 S * 6/2015 Karau D25/113
D768,876 S * 10/2016 Lindberg D25/113
D867,620 S * 11/2019 Pegg D25/114
D877,936 S * 3/2020 Lindberg D25/113
2006/0051166 A1 3/2006 Lee
2007/0036616 A1 * 2/2007 Knudson E02D 29/02
405/284
2011/0217127 A1 * 9/2011 MacDonald E02D 29/025
405/284
2012/0057939 A1 * 3/2012 Bone E02D 29/0225
405/284
2015/0197912 A1 7/2015 Parsons
2016/0369472 A1 12/2016 Ianello et al.

FOREIGN PATENT DOCUMENTS

AU 2003241633 A1 9/2003
AU 2006249237 A1 6/2007
CA 2700908 C 4/2009
CA 2854940 C 10/2016
CN 302352364 3/2013
EP 1600563 A3 5/2009
KR 20060026098 A 3/2006

OTHER PUBLICATIONS

Western Interlock Facebook, <https://www.facebook.com/WesternInterlock/photos/a.750098355057905/2155585511175842/?type=3&theater>, 1 page, posted Feb. 18, 2019.

* cited by examiner

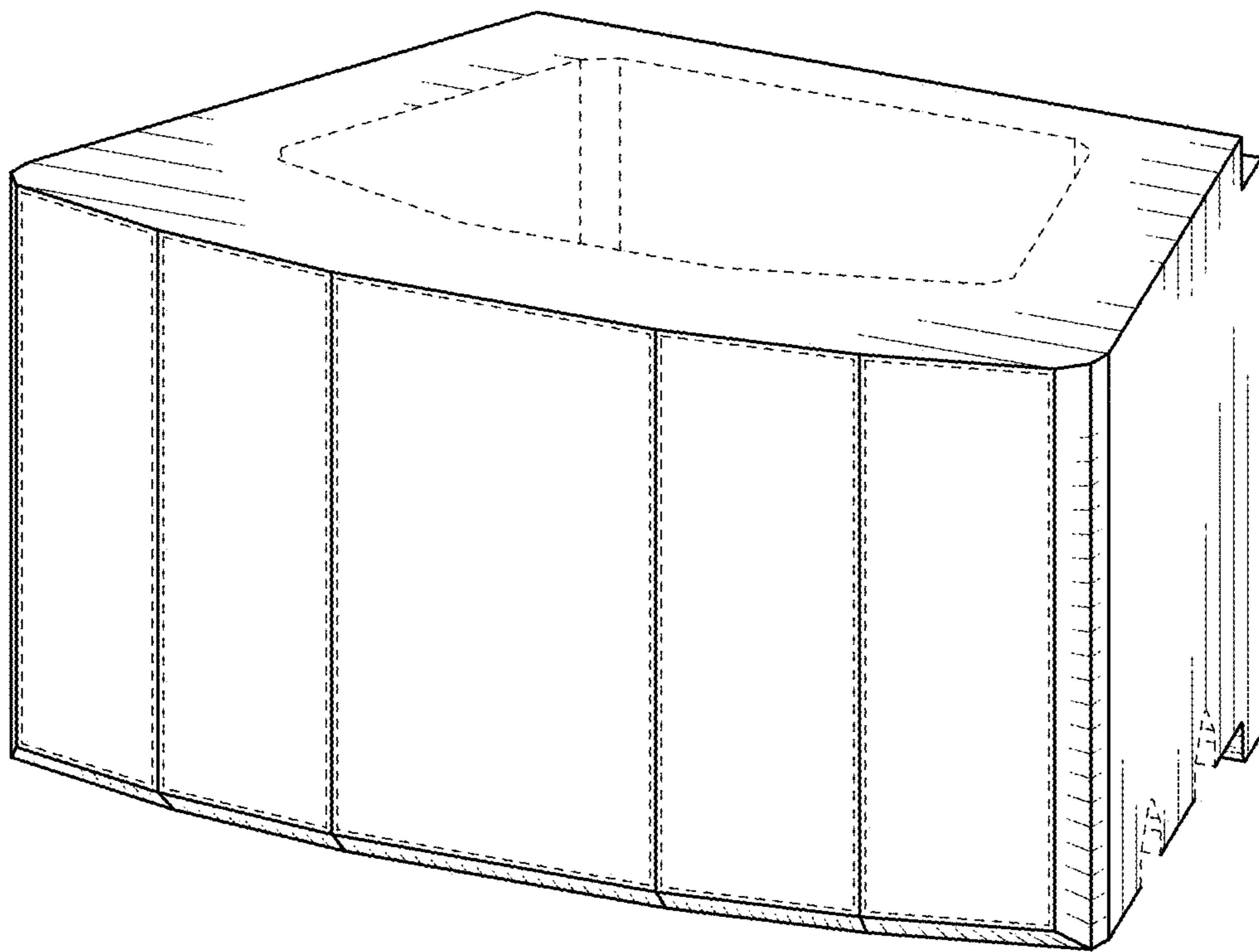


FIG. 1

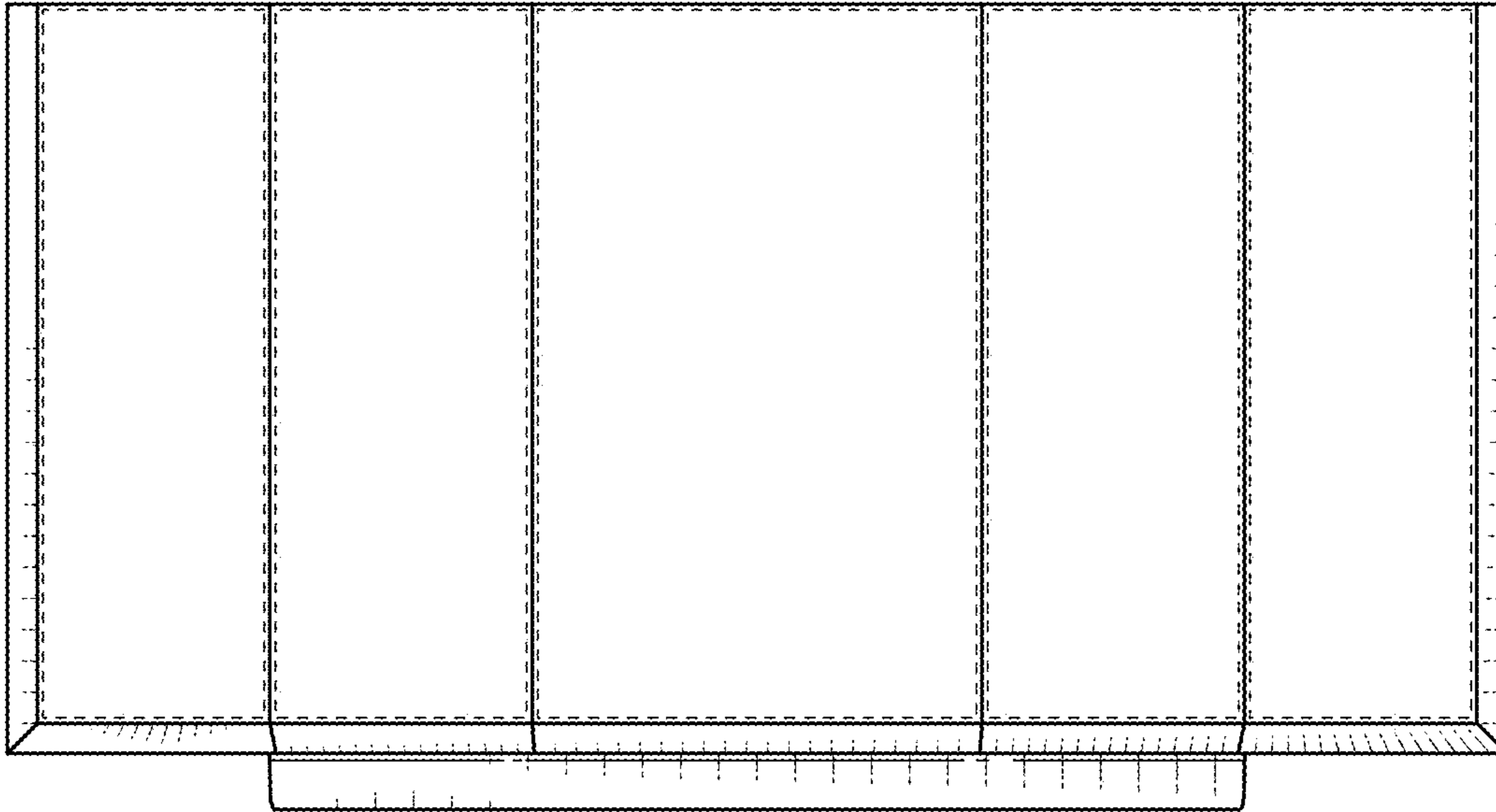


FIG. 2

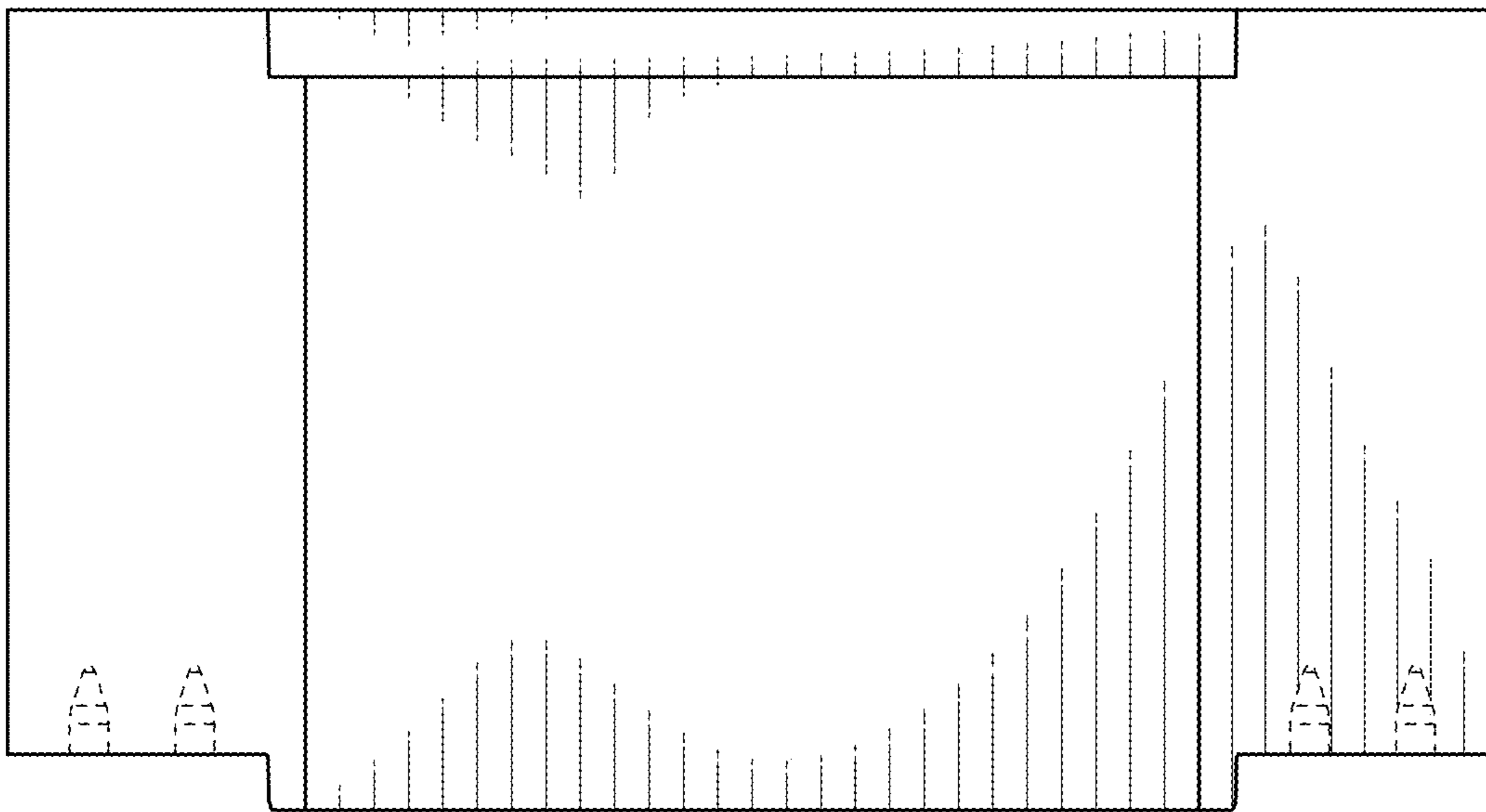


FIG. 3

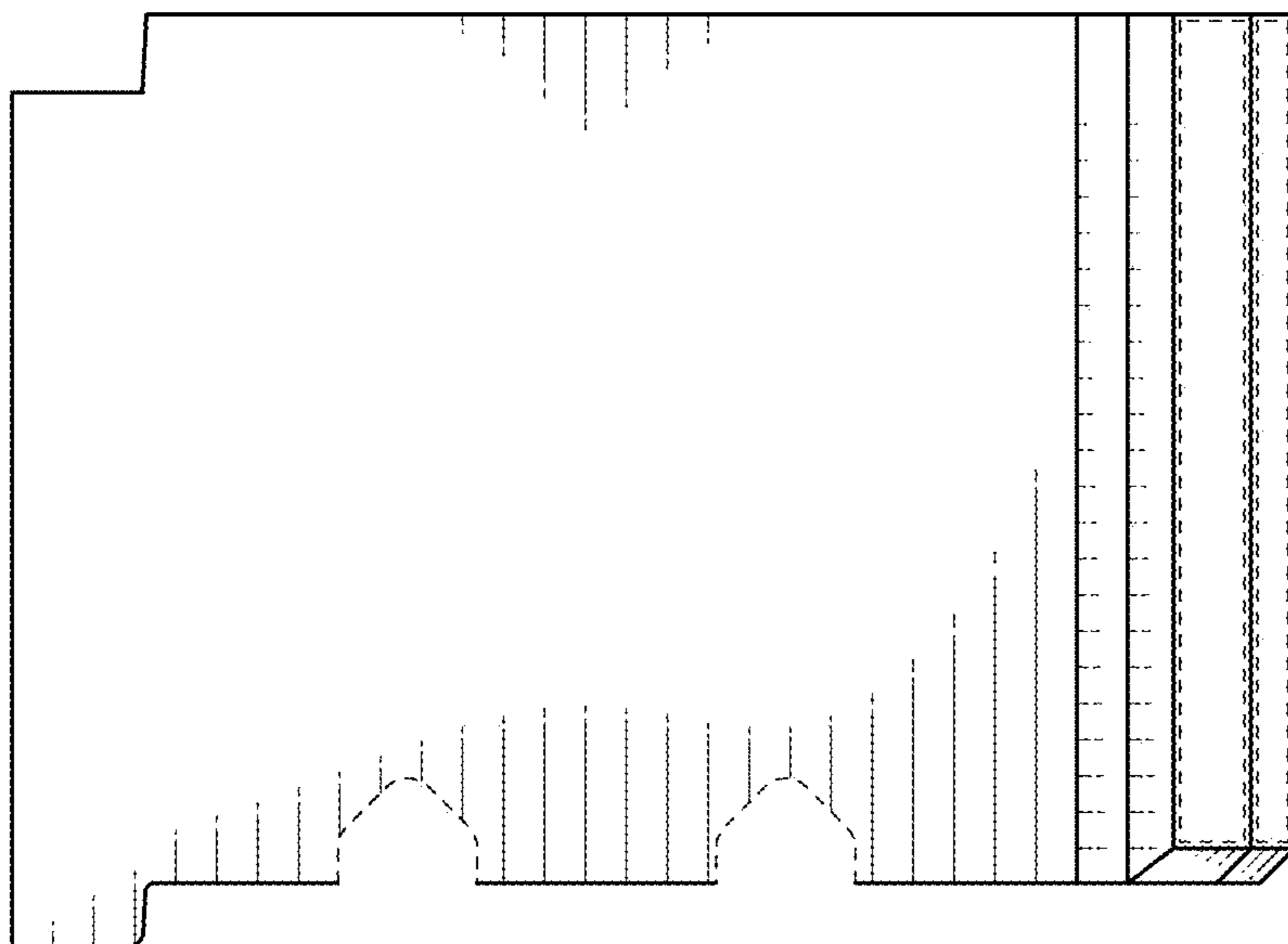


FIG. 4

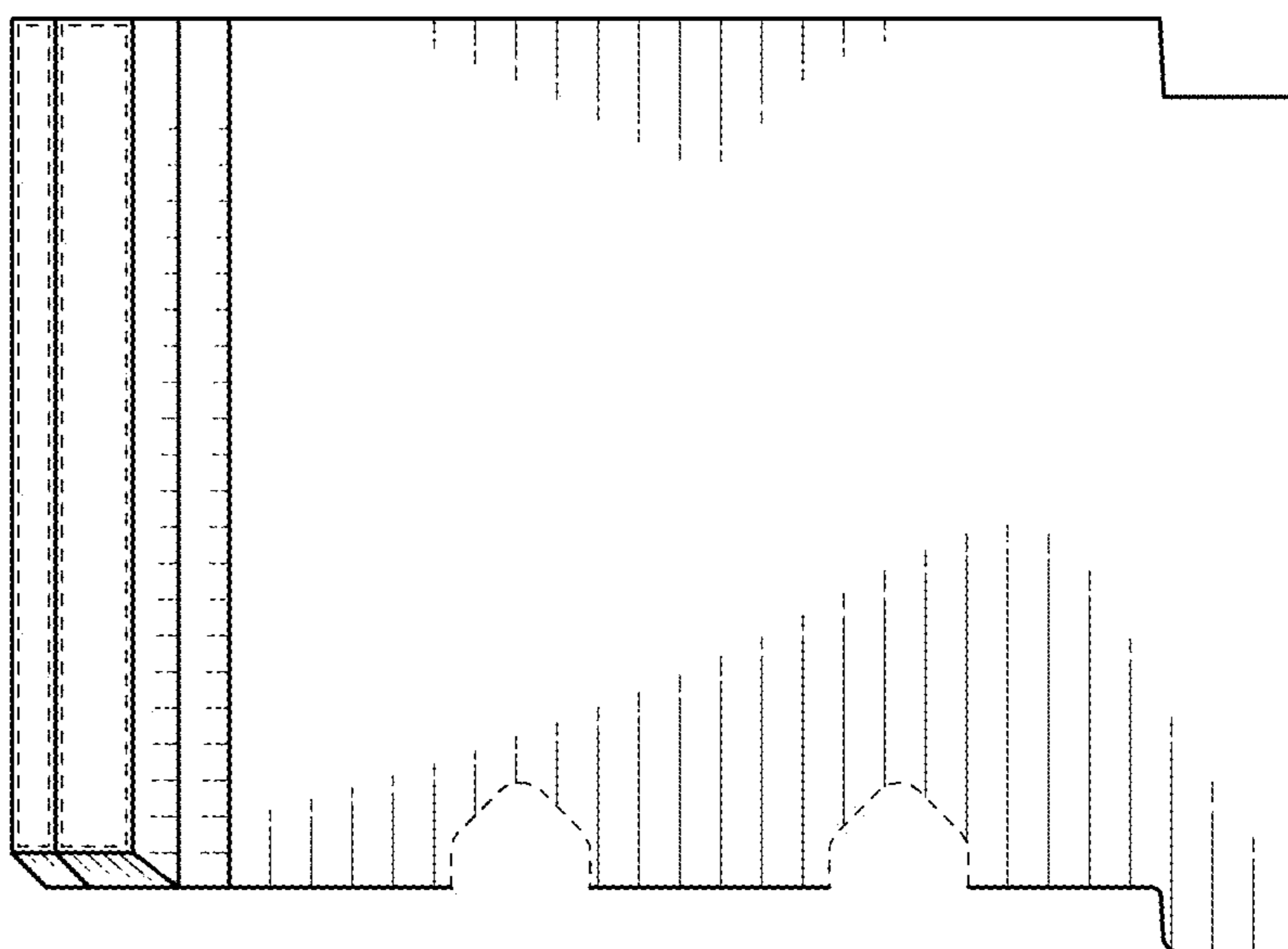


FIG. 5

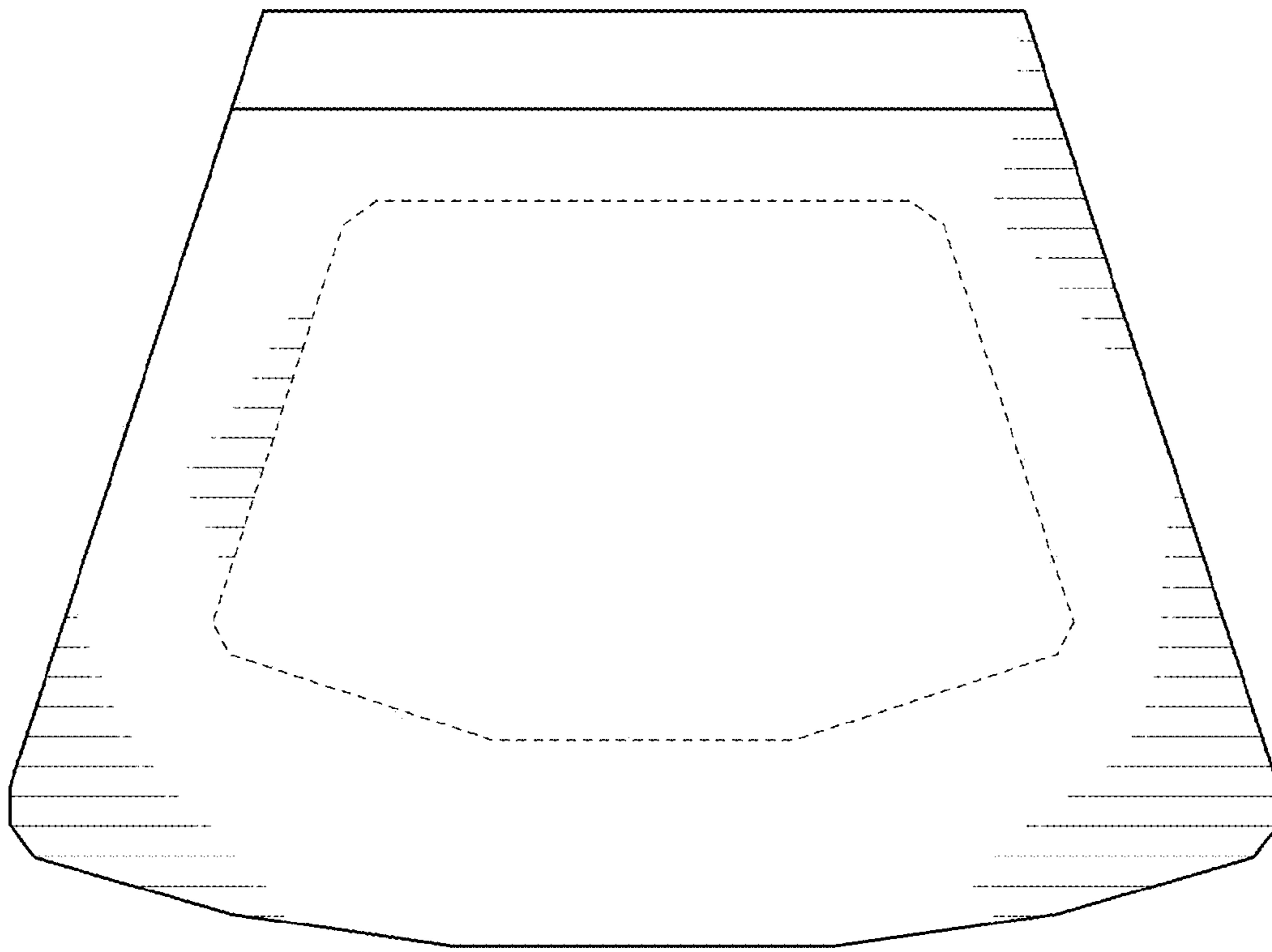


FIG. 6

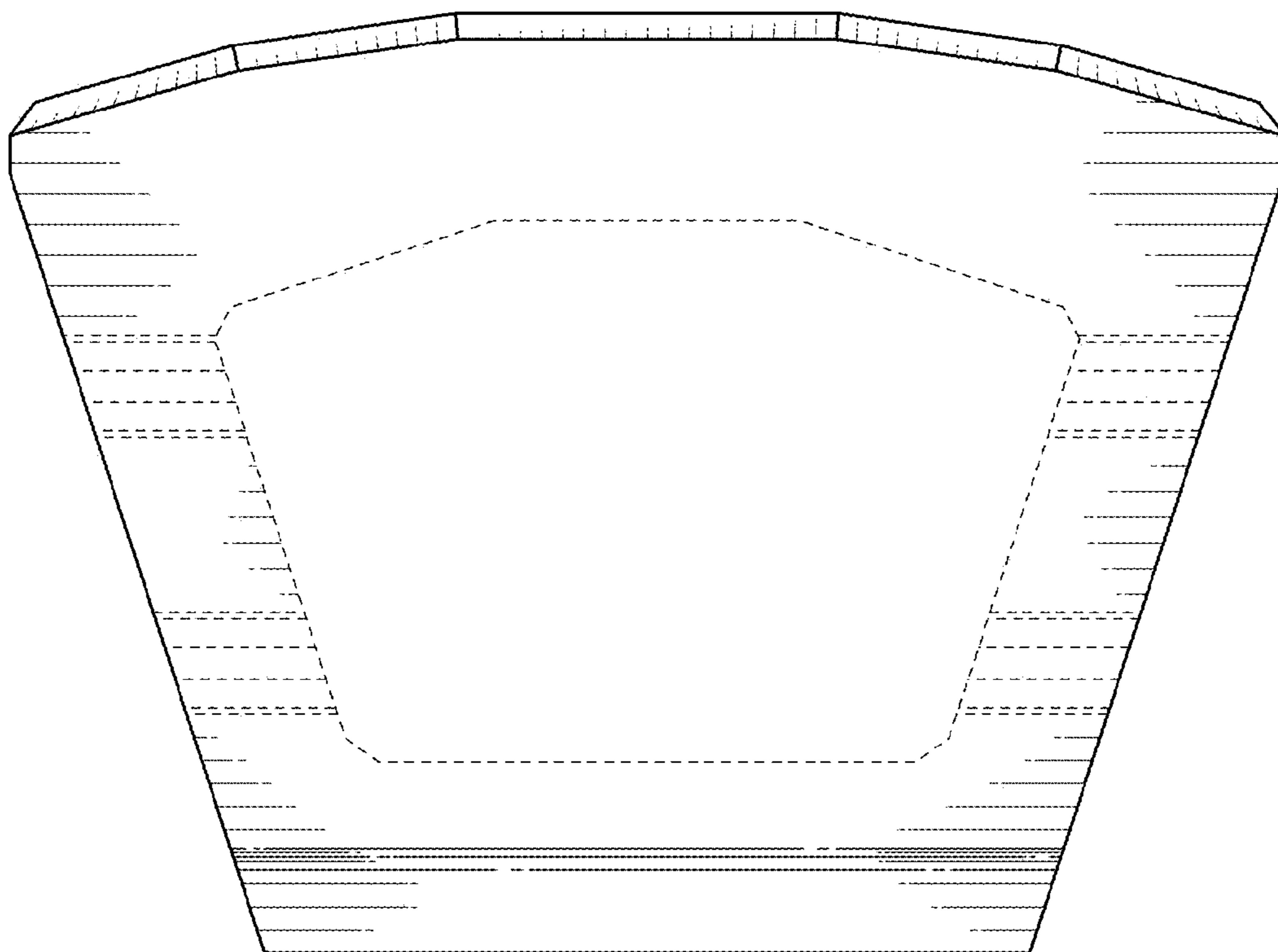


FIG. 7

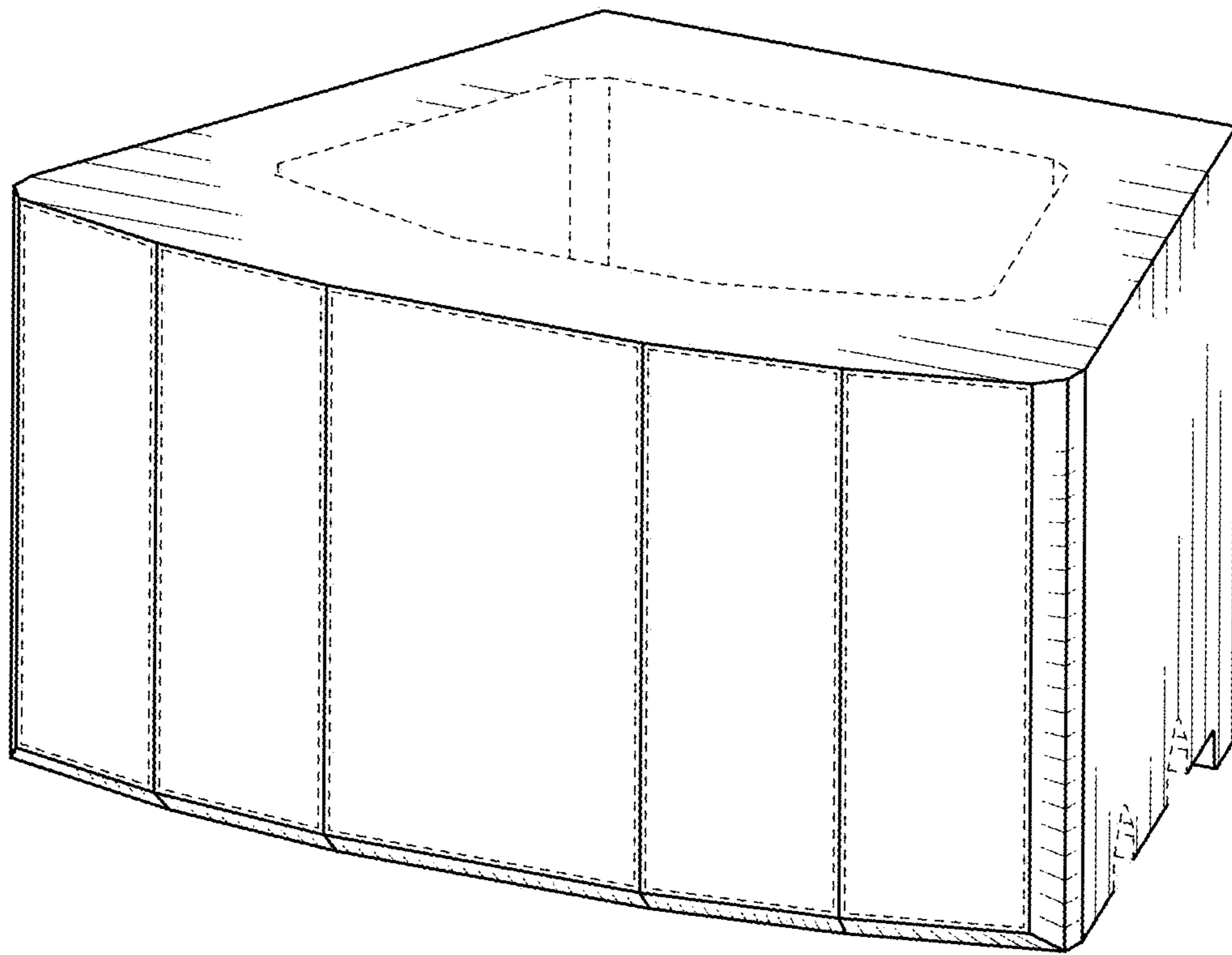


FIG. 8

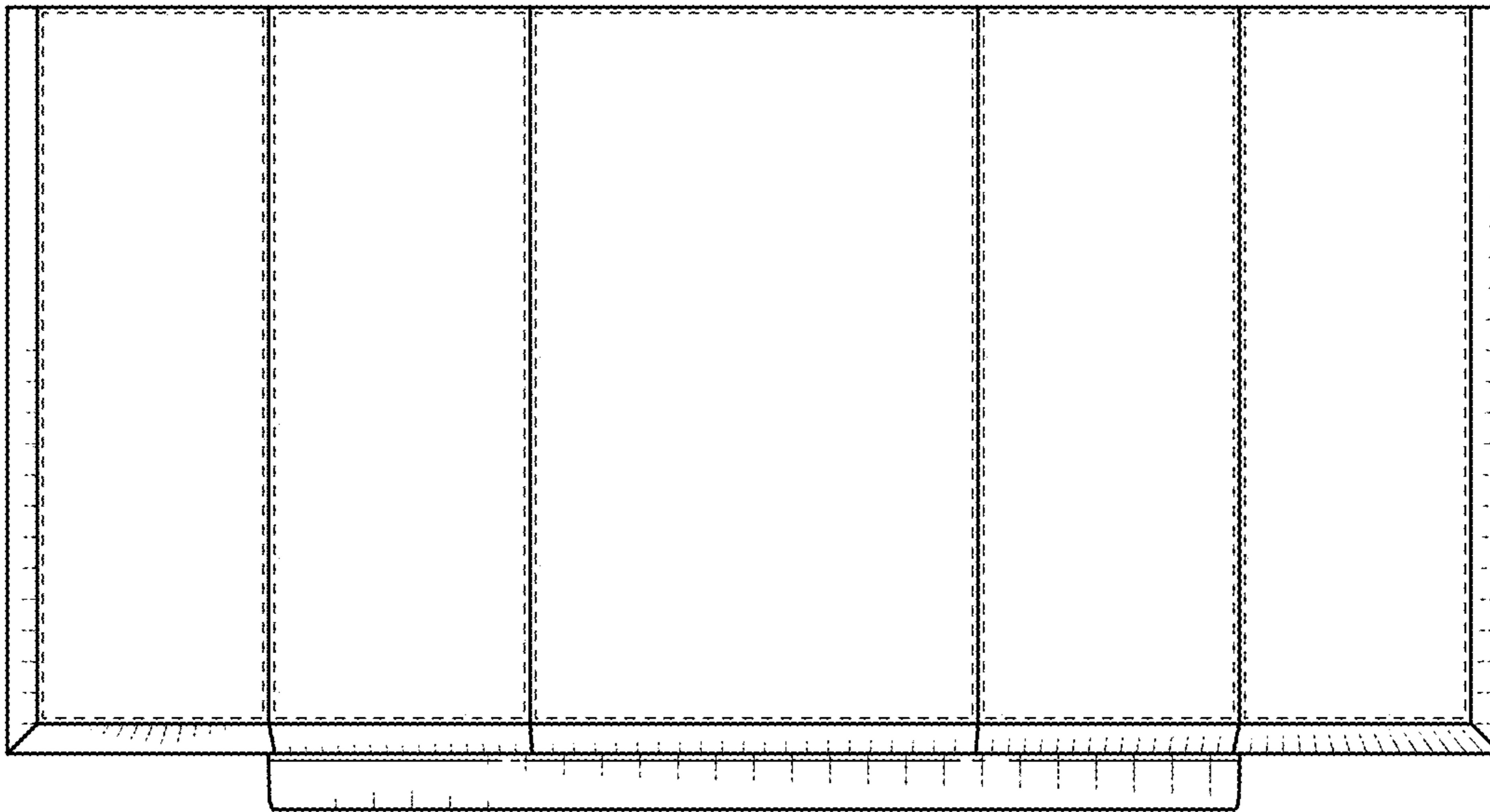


FIG. 9

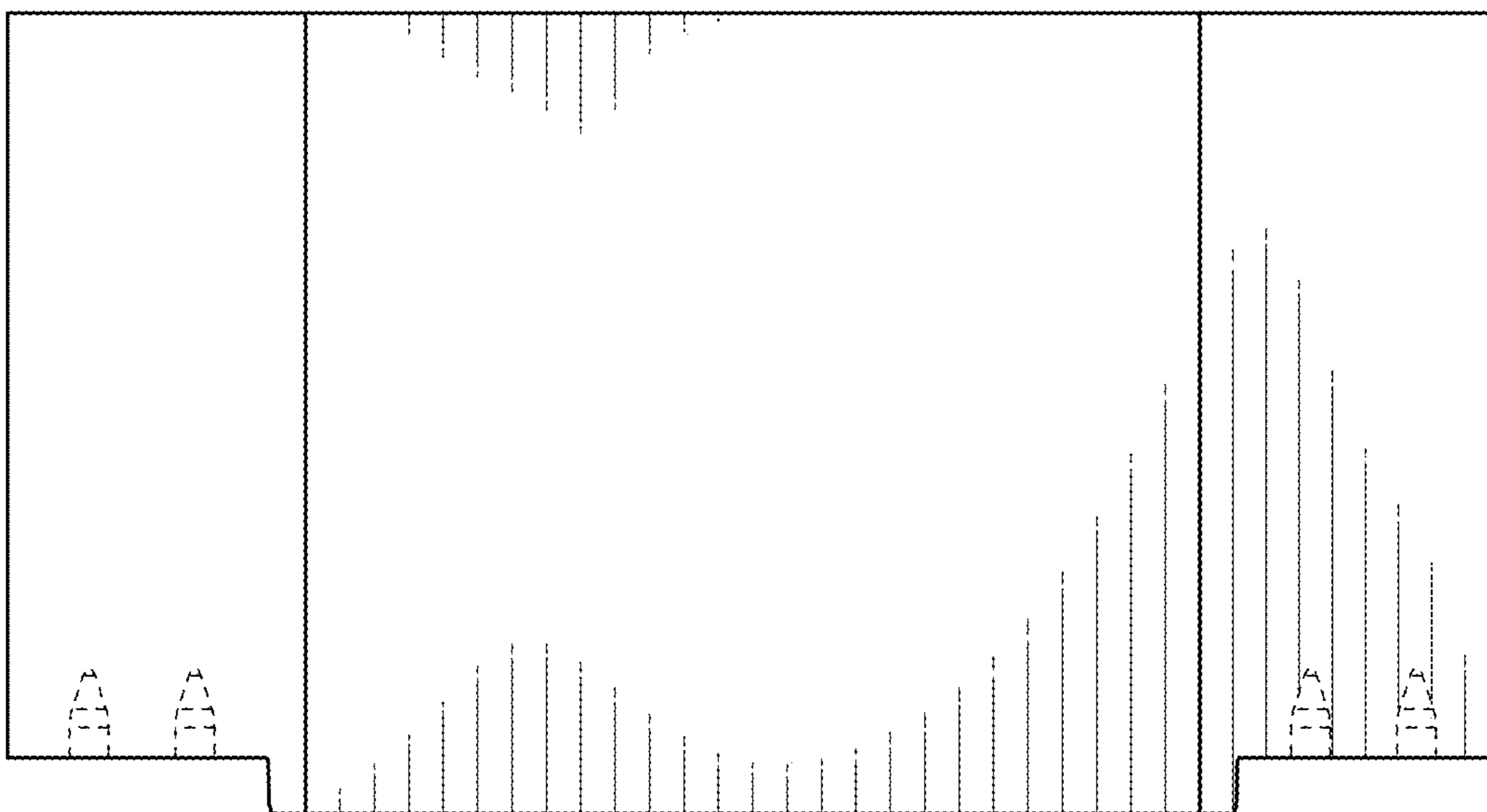


FIG. 10

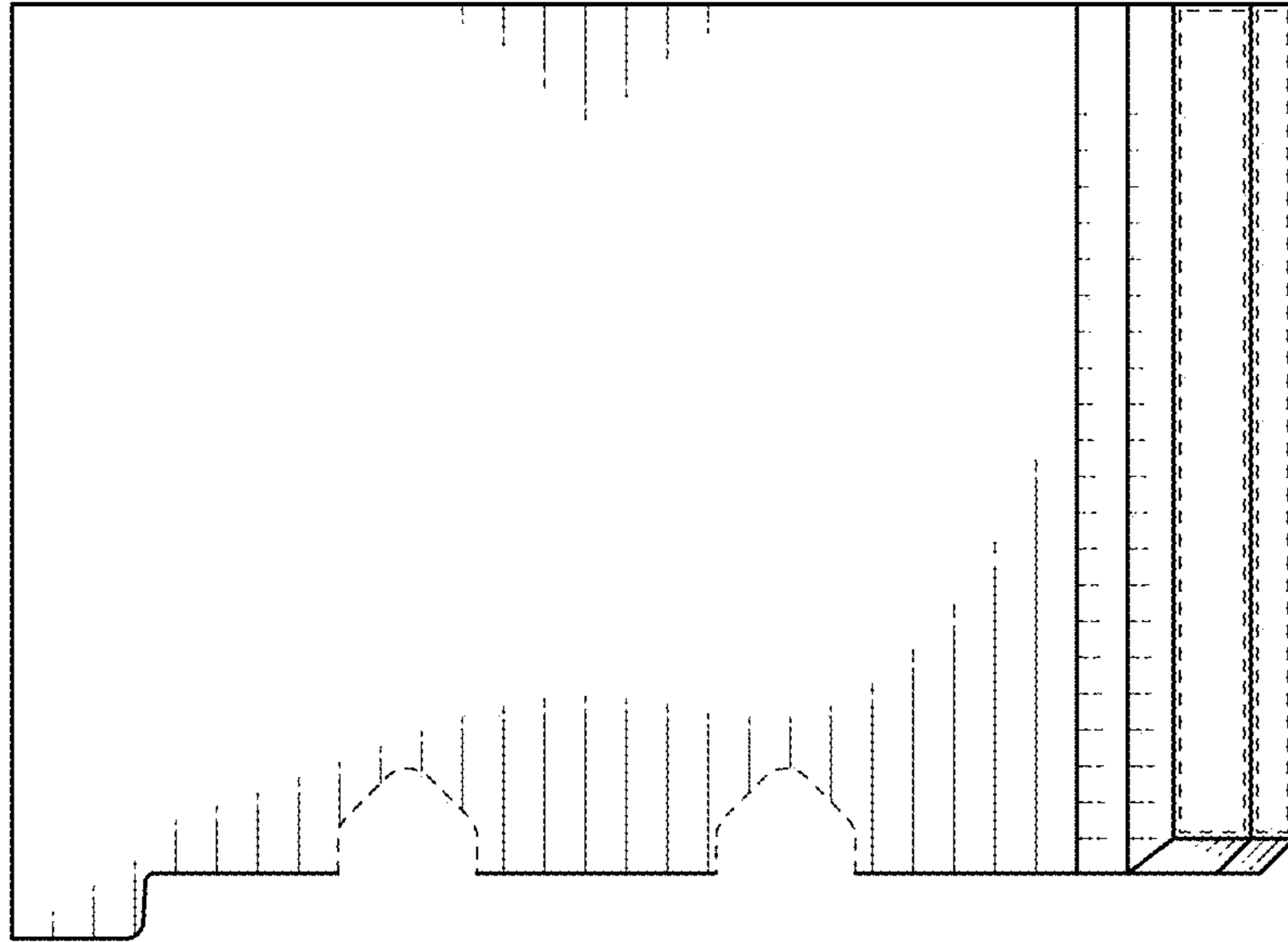


FIG. 11

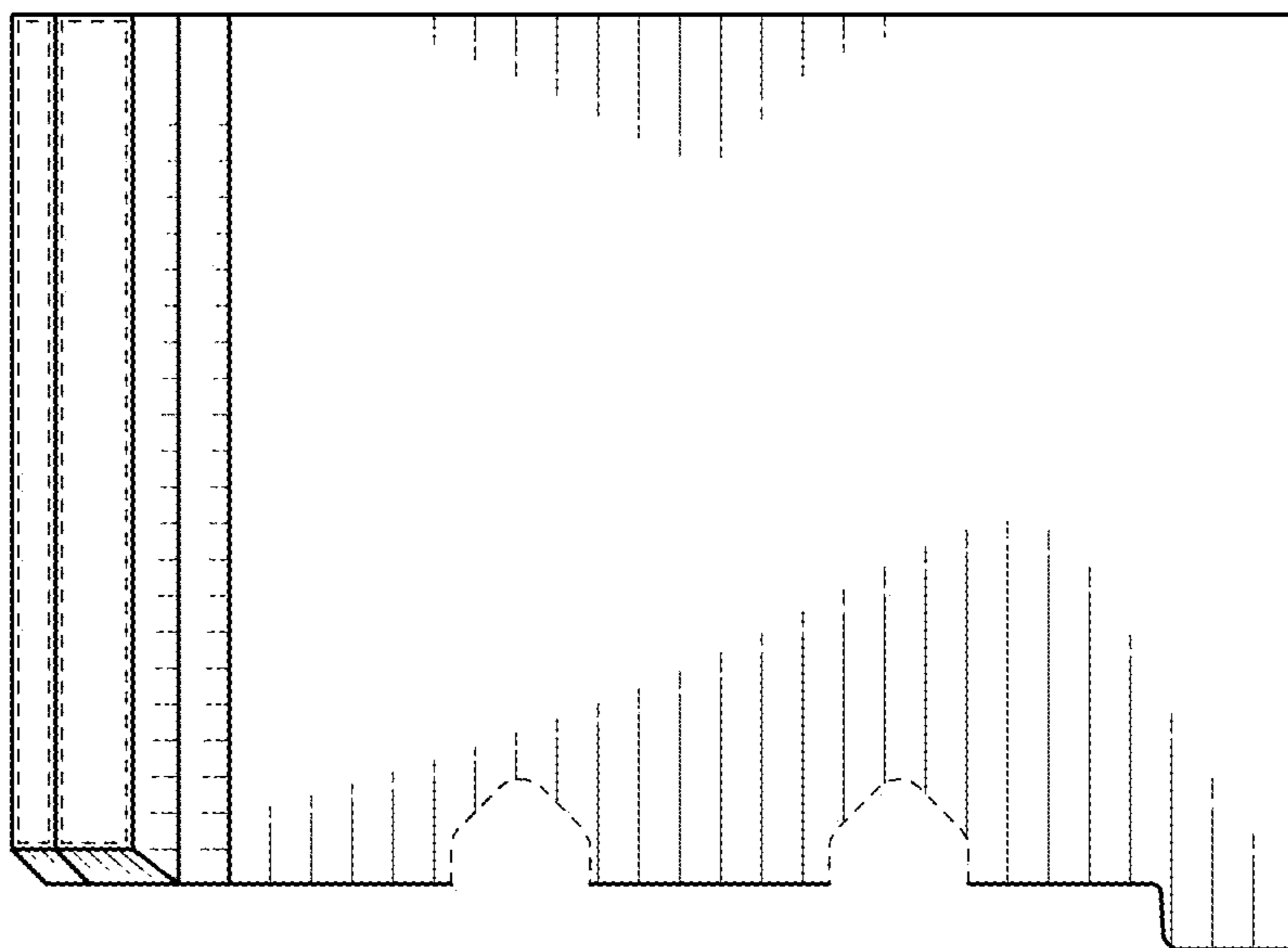


FIG. 12

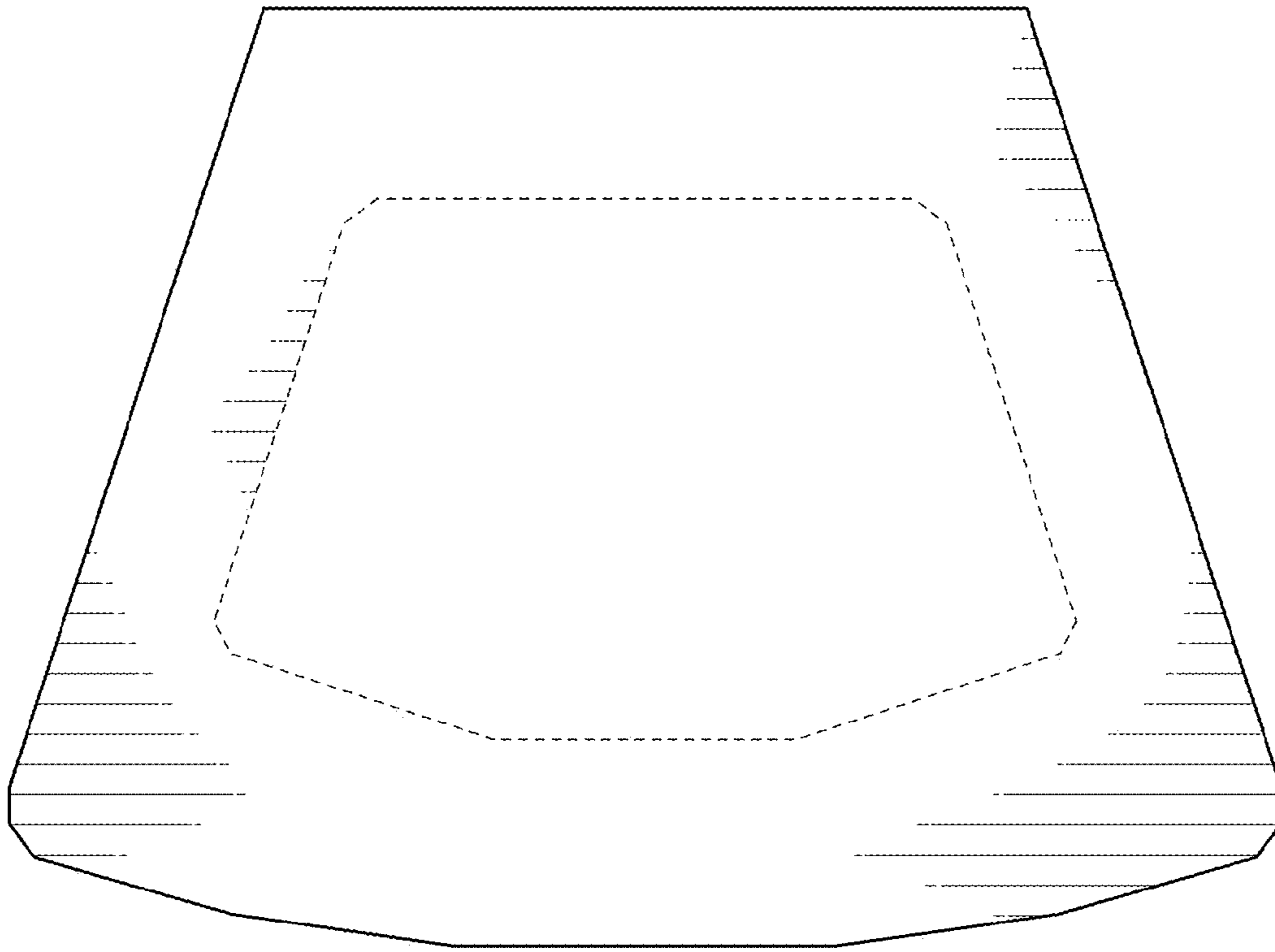


FIG. 13

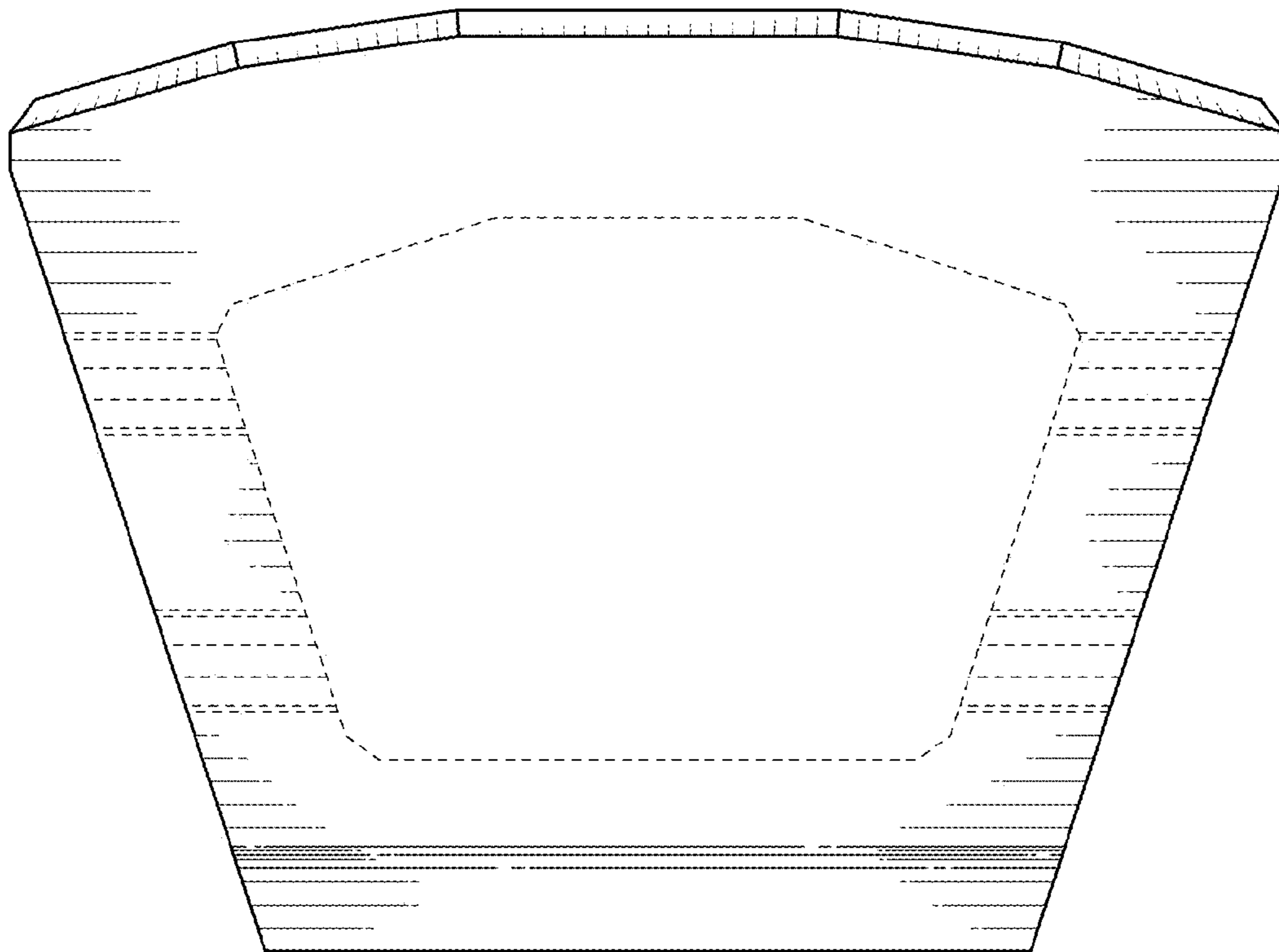


FIG. 14