



US00D900340S

(12) **United States Design Patent** (10) **Patent No.:** **US D900,340 S**
von Langsdorff (45) **Date of Patent:** **** Oct. 27, 2020**

(54) **PAVING STONE**

FOREIGN PATENT DOCUMENTS

(71) Applicant: **F. von Langsdorff Licensing Limited**,
Caledon (CA)

CN 204715139 U 10/2015
DE 8707648 U1 7/1987

(Continued)

(72) Inventor: **Harald von Langsdorff**, Caledon (CA)

(73) Assignee: **F. von Langsdorff Licensing Limited**,
Caledon (CA)

OTHER PUBLICATIONS

(**) Term: **15 Years**

(21) Appl. No.: **29/699,769**

Enchanting Permeable Pavers for Driveways (on-line), posted Jul. 29, 2018. Retrieved from Internet Oct. 31, 2018, URL: <http://kurjagardenhouse.com/18010/enchanting-permeable-pavers-for-driveways-paver-driveway-expert-company/> (1 page) (Year: 2018).*

(Continued)

(22) Filed: **Jul. 29, 2019**

Related U.S. Application Data

Primary Examiner — Kimberly Barnes

(62) Division of application No. 29/572,840, filed on Jul. 31, 2016, now Pat. No. Des. 864,420.

(74) *Attorney, Agent, or Firm* — Santosh K. Chari; CPST Intellectual Property Inc.

(51) **LOC (12) Cl.** **25-01**

(52) **U.S. Cl.**
USPC **D25/113**

(57) **CLAIM**

(58) **Field of Classification Search**
USPC D25/102, 113, 115, 118; D21/484
CPC ... E01C 5/00; E01C 5/06; E01C 5/006; E01C 2201/02; E01C 9/004; E01C 13/04; E01C 5/003; E01C 5/20; E04F 15/02; E04C 1/395; E04B 2/42

The ornamental design for a paving stone, substantially as shown and described.

See application file for complete search history.

DESCRIPTION

(56) **References Cited**

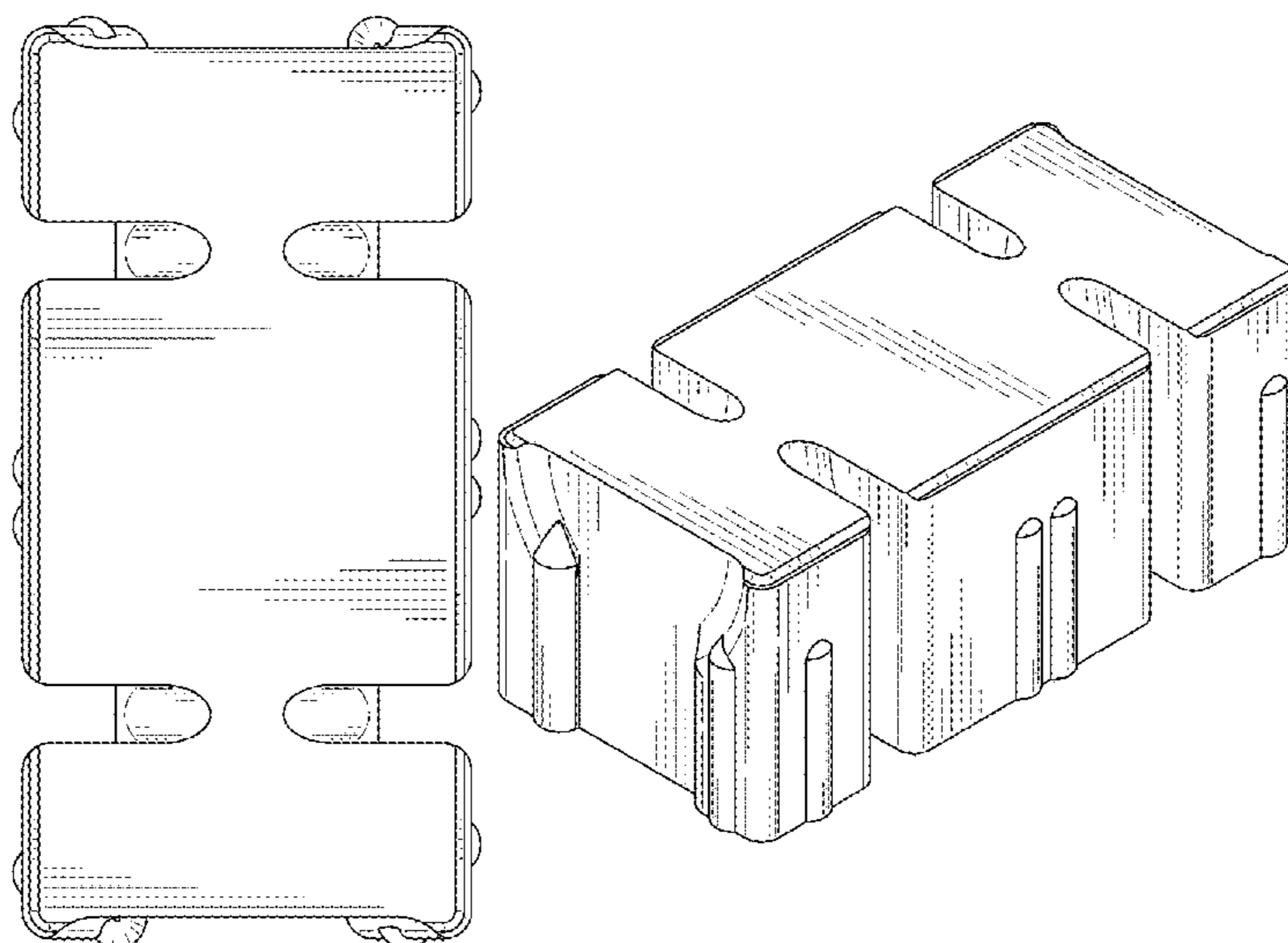
U.S. PATENT DOCUMENTS

- 1,058,674 A * 4/1913 Kertes E04C 1/395 52/603
- 1,657,861 A * 1/1928 Lucas E04B 2/42 52/592.6
- D99,590 S * 5/1936 Torongo D1/100
- 2,141,397 A * 12/1938 Locke E04B 2/42 52/204.2
- 2,498,276 A * 2/1950 Kany E04B 2/42 52/438

FIG. 1 is a top view of a paving stone showing my design. FIG. 2 is a bottom view of the paving stone shown in FIG. 1. FIG. 3 is a front view of the paving stone shown in FIG. 1. FIG. 4 is a rear view of the paving stone shown in FIG. 1. FIG. 5 is a left side view of the paving stone shown in FIG. 1. FIG. 6 is a right side view of the paving stone shown in FIG. 1; and, FIG. 7 is a front, left perspective view of the paving stone shown in FIG. 1.

(Continued)

1 Claim, 3 Drawing Sheets



(56)

References Cited

U.S. PATENT DOCUMENTS

3,295,281 A * 1/1967 Dixon E04B 2/46
52/442
4,834,575 A 5/1989 Barth et al.
4,997,308 A 3/1991 Welling, Jr.
5,342,142 A 8/1994 Barth et al.
D389,926 S * 1/1998 Barth D25/113
D485,370 S * 1/2004 Schmitz D25/113
D498,543 S * 11/2004 Schmitz D25/113
D508,739 S * 8/2005 Shillingburg D25/113
6,948,282 B2 * 9/2005 Bott E04C 1/395
52/592.6
D512,519 S * 12/2005 Crump D25/112
8,500,362 B2 * 8/2013 Steffen E01C 5/06
404/34
D689,624 S * 9/2013 Pacitto D25/113
D701,619 S * 3/2014 Pacitto D25/113
9,315,950 B2 * 4/2016 Browning E01C 5/06
D789,555 S * 6/2017 Lundell D25/113
D789,556 S * 6/2017 Lundell D25/113
9,951,527 B2 * 4/2018 Lundell E01C 5/20
D819,231 S * 5/2018 Lundell D25/113

D824,542 S * 7/2018 Lundell D25/113
D844,181 S * 3/2019 Lundell D25/113
10,370,859 B2 * 8/2019 Lundell E01C 5/20
D864,420 S * 10/2019 von Langsdorff D25/113
2006/0101762 A1 * 5/2006 Shillingburg E04B 2/46
52/503
2018/0371705 A1 * 12/2018 MacDonald E01C 5/003

FOREIGN PATENT DOCUMENTS

WO 03/023145 A1 3/2003
WO 2006080042 A1 8/2006

OTHER PUBLICATIONS

Permeable Pavers | Storm Water Solutions (on-line), dated Oct. 9, 2009. Retrieved from Internet Oct. 31, 2018, URL: <https://www.estormwater.com/permeable-pavers-3> (1 page) (Year: 2009).*
VS-5 Drain Pave | Paving Stones | Western Interlock (on-line), no date available. Retrieved from Internet Oct. 31, 2018, URL: <https://westerninterlock.com/productindex/vs-5-drain-pave/> (1 page).*

* cited by examiner

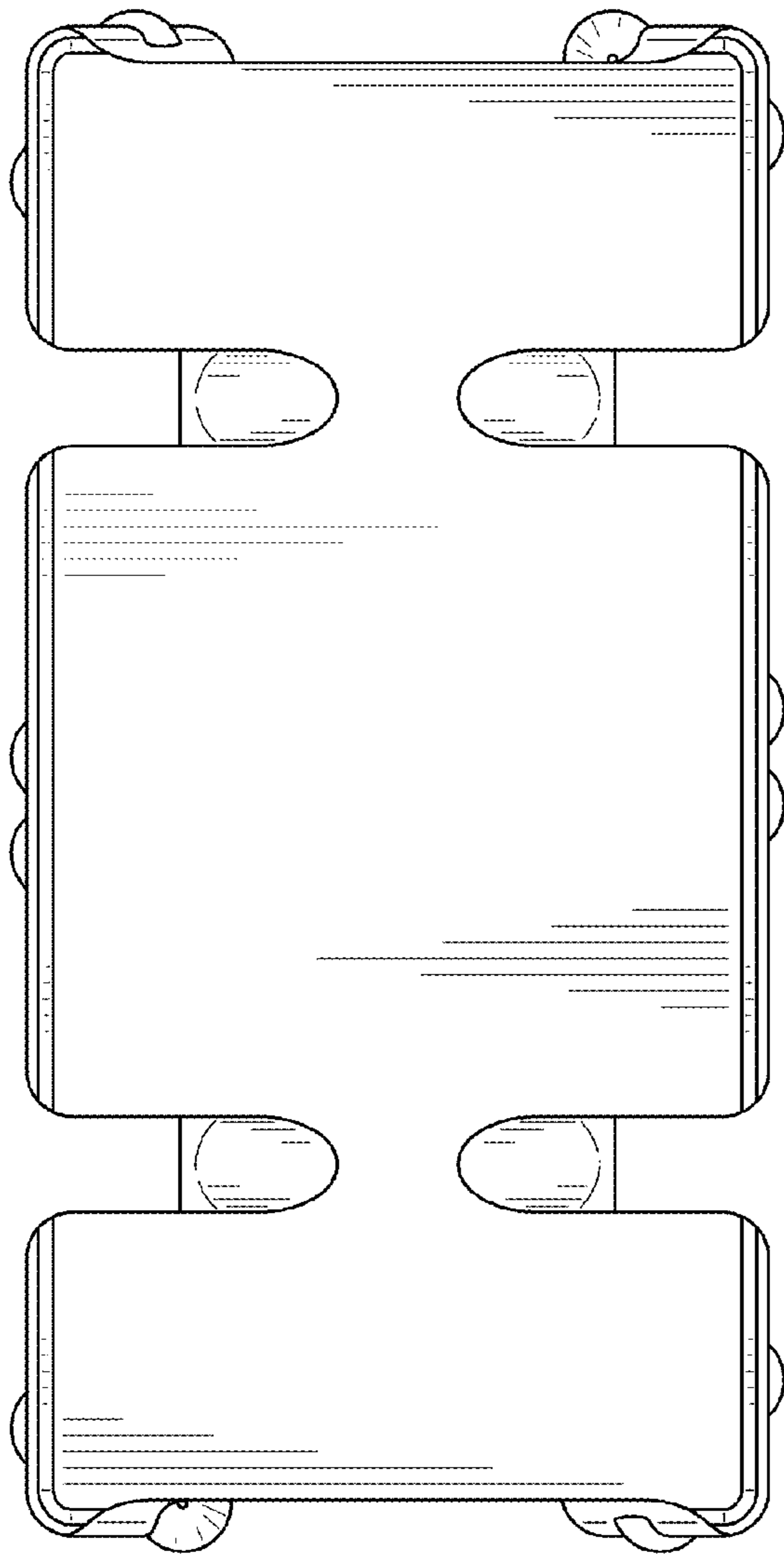


FIG. 1

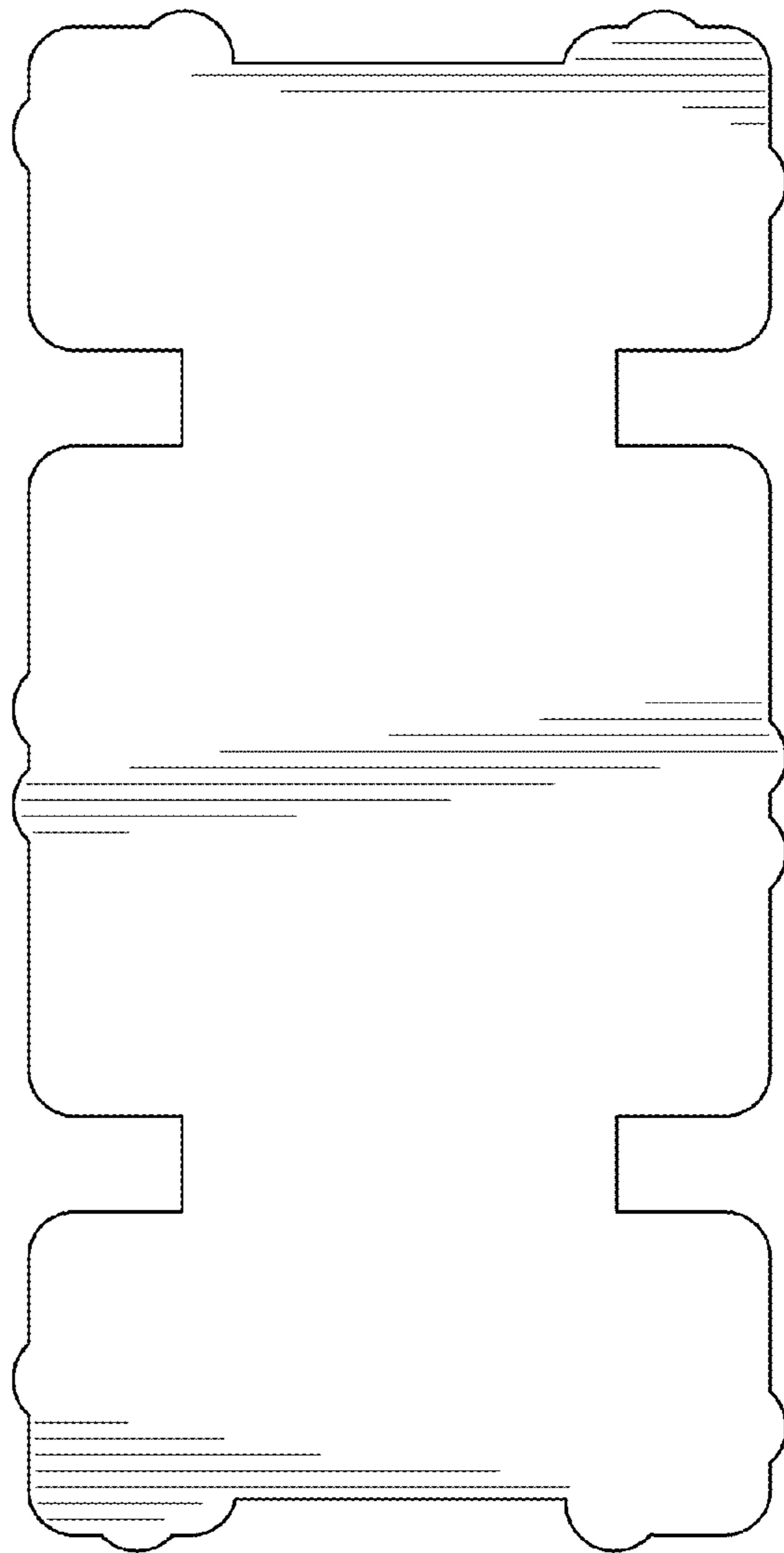


FIG. 2

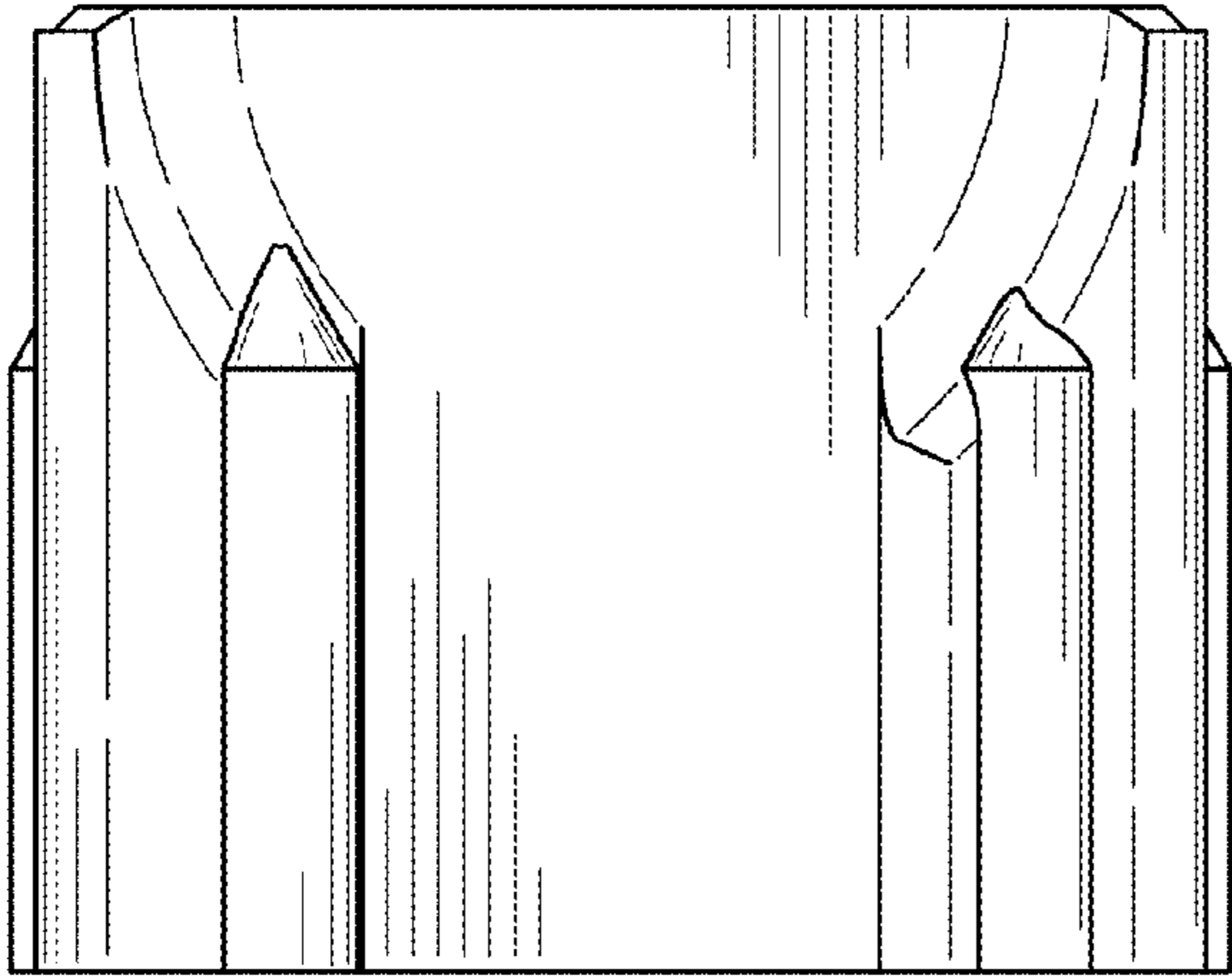


FIG. 3

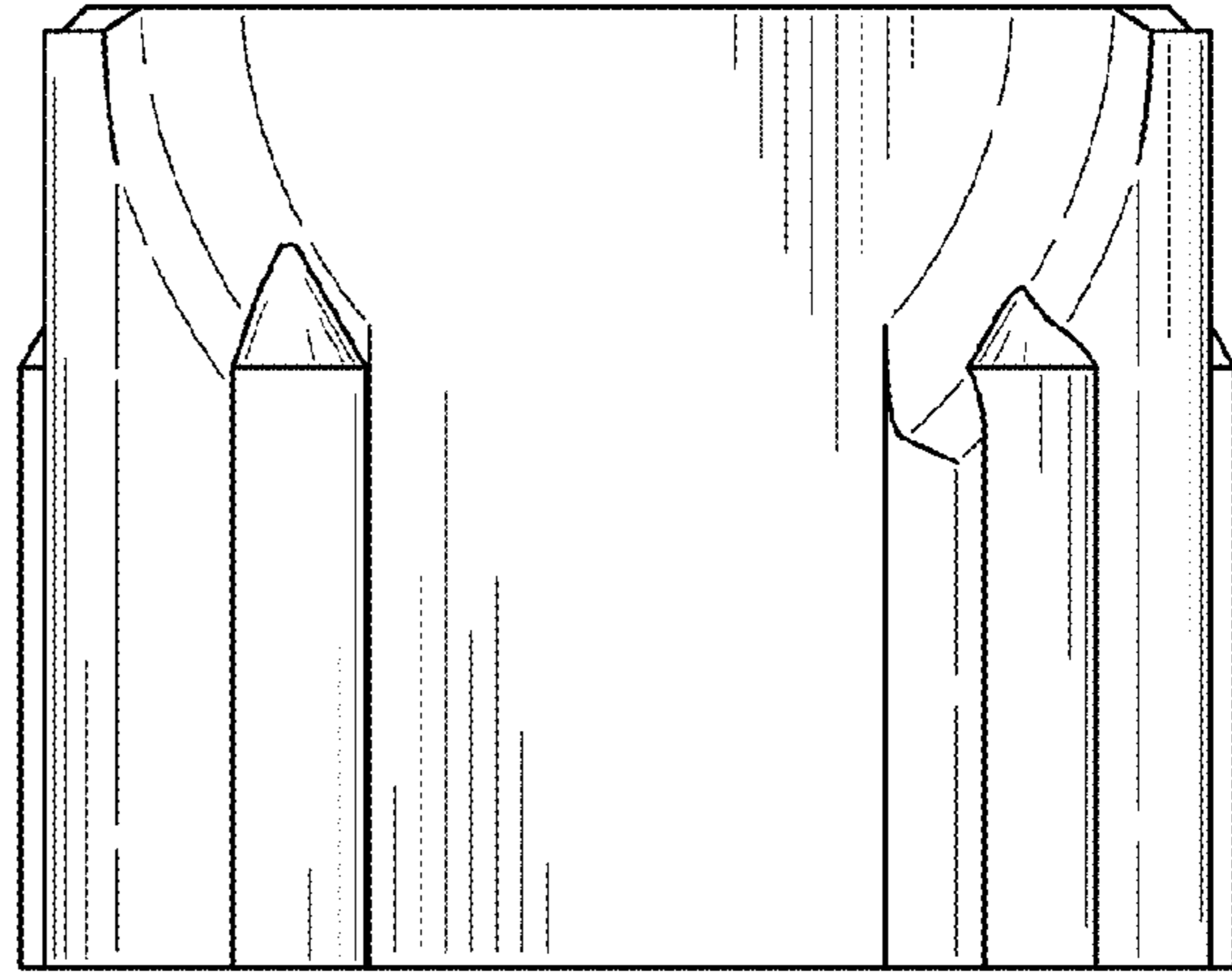


FIG. 4

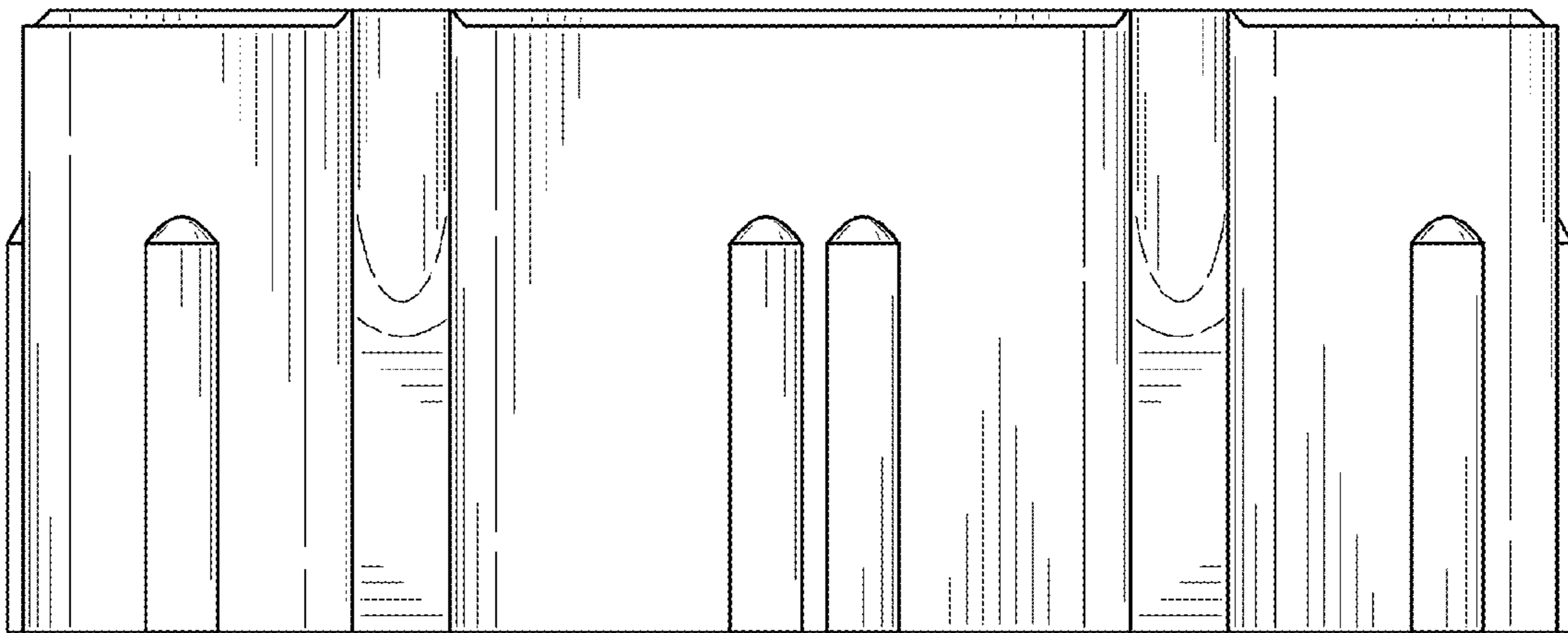


FIG. 5

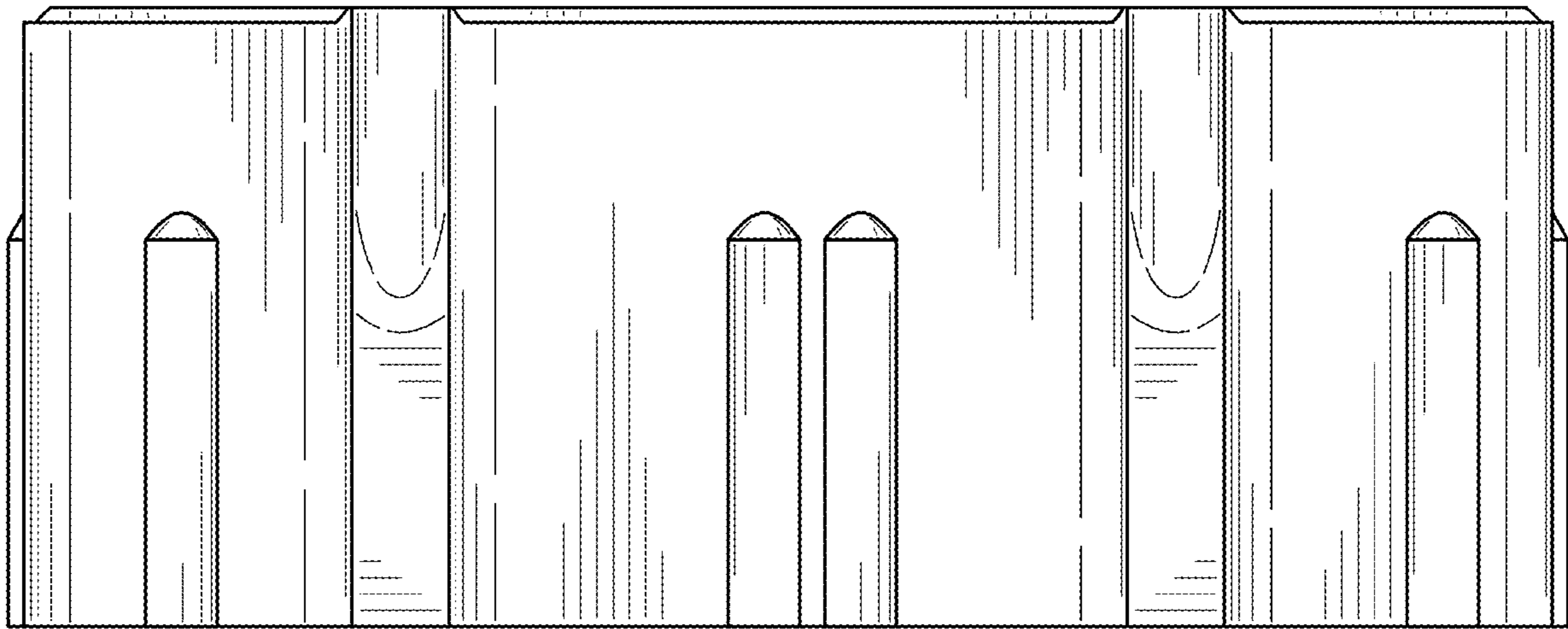


FIG. 6

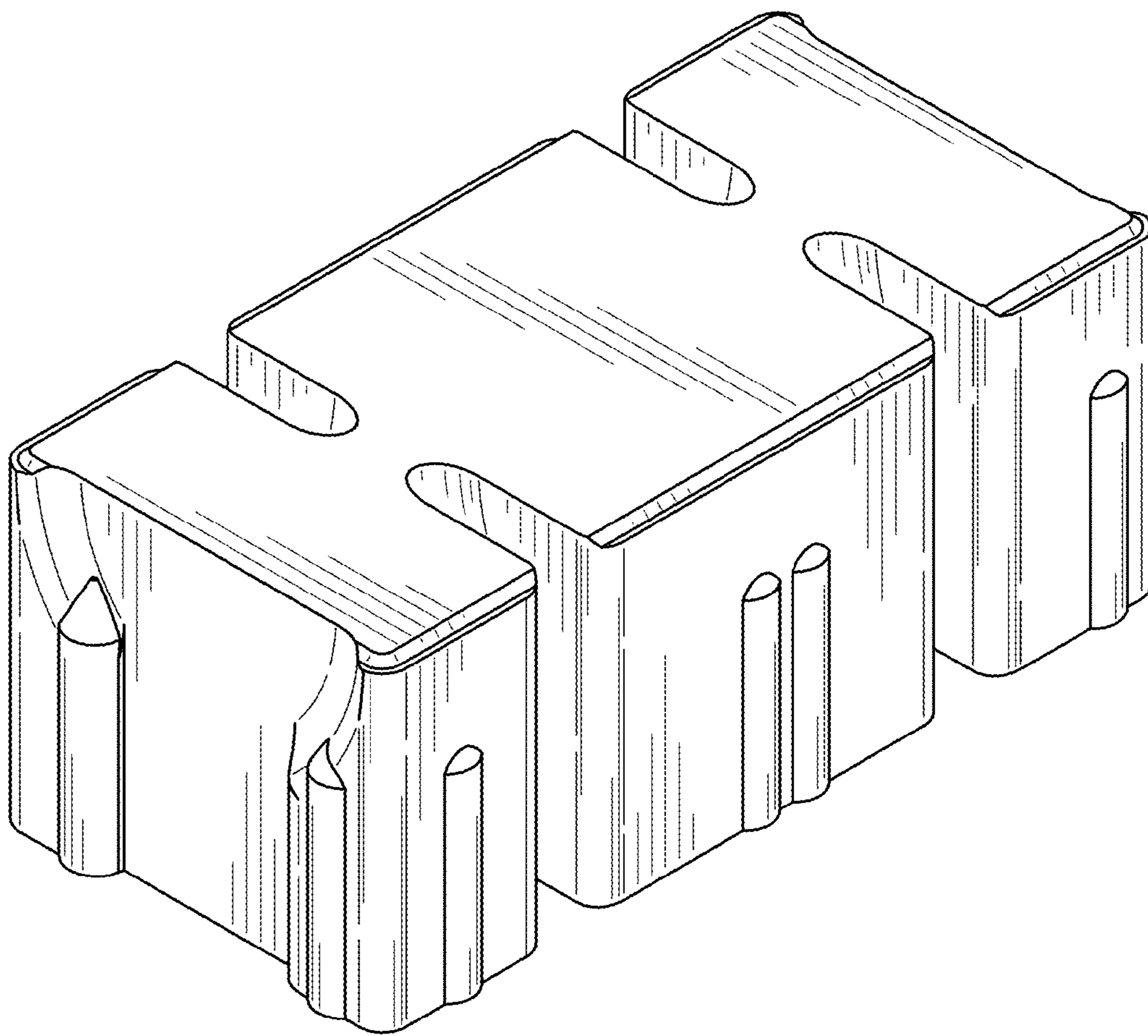


FIG. 7