



US00D900339S

(12) **United States Design Patent** (10) **Patent No.:** **US D900,339 S**
Allen et al. (45) **Date of Patent:** **** Oct. 27, 2020**

(54) **DOOR FACING**

(71) Applicant: **MASONITE CORPORATION**,
Tampa, FL (US)

(72) Inventors: **Robert C. Allen**, Elburn, IL (US);
Jason M. Walsh, Batavia, IL (US);
Dale W. Mayfield, Clearwater Beach,
FL (US)

(73) Assignee: **Masonite Corporation**, Tampa, FL
(US)

(**) Term: **15 Years**

(21) Appl. No.: **29/685,113**

(22) Filed: **Mar. 26, 2019**

Related U.S. Application Data

(60) Continuation of application No. 29/627,533, filed on
Nov. 28, 2017, now Pat. No. Des. 844,176, which is
a division of application No. 29/564,916, filed on
May 17, 2016, now Pat. No. Des. 804,057, which is
a continuation of application No. 29/516,422, filed on
Feb. 2, 2015, now Pat. No. Des. 756,534.

(51) **LOC (12) Cl.** **25-02**

(52) **U.S. Cl.**
USPC **D25/48.3**

(58) **Field of Classification Search**
USPC D25/48.3, 48.4, 48.5, 48.6, 48.7, 48.8,
D25/138
CPC E06B 3/4636; E06B 3/485; E06B 3/58;
E06B 3/5892; E06B 3/72; E06B 3/78;
E06B 2003/7044; E06B 1/04; E06B 5/00
See application file for complete search history.

(56) **References Cited**

U.S. PATENT DOCUMENTS

926,361 A * 6/1909 Sjobring E06B 3/5892
52/455
1,039,371 A * 9/1912 Ellis E06B 3/02
52/800.14

1,150,755 A * 8/1915 Frey et al. B64C 1/1492
52/800.15
1,391,949 A * 9/1921 Gogay E06B 3/5892
52/784.13
1,771,304 A * 7/1930 MacGruder E06B 5/16
52/455

(Continued)

FOREIGN PATENT DOCUMENTS

EM 002747097-0001 * 9/2015
EM 002747097-0002 * 9/2015
KR 300428646.0000 * 10/2006

Primary Examiner — Leanne Was-Englehart

(74) *Attorney, Agent, or Firm* — Berenato & White, LLC

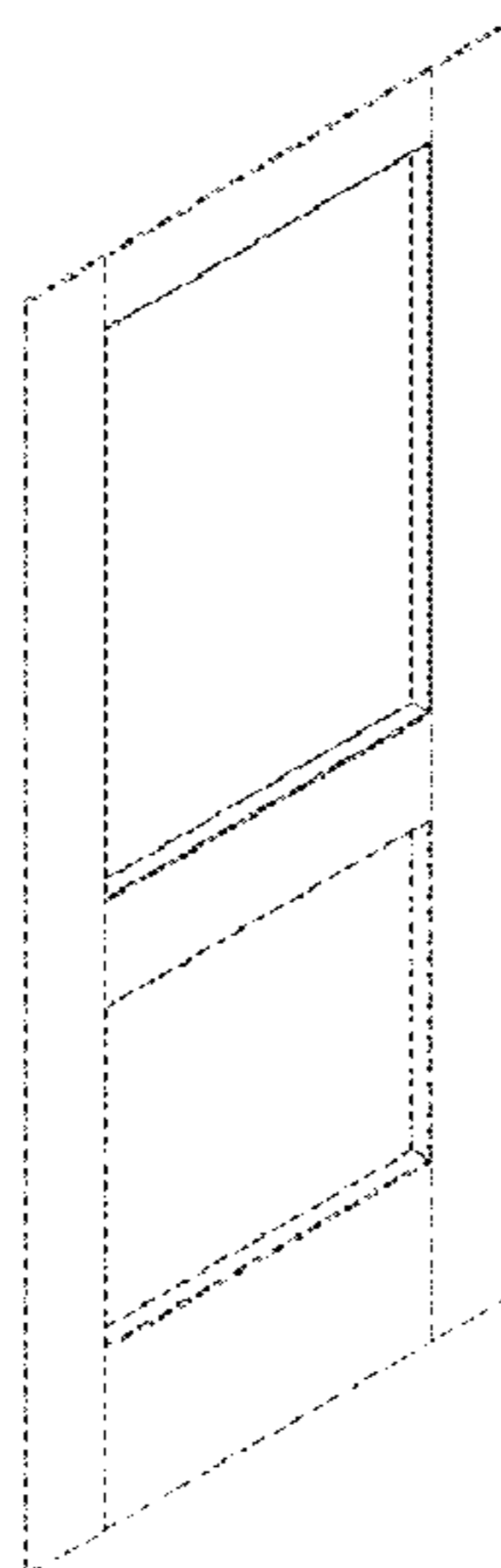
(57) **CLAIM**

The ornamental design for a door facing, as shown and
described.

DESCRIPTION

FIG. 1 is a front perspective view of a door facing;
FIG. 2 is a front elevational view;
FIG. 3 is a rear elevational view;
FIG. 4 is a top plan view;
FIG. 5 is a bottom plan view;
FIG. 6 is a cross sectional view taken along the line 6-6 of
FIG. 2 and viewed in the direction of the arrows;
FIG. 7 is an enlarged fragmentary cross sectional view taken
from FIG. 6;
FIG. 8 is a left side plan view;
FIG. 9 is a right side plan view; and,
FIG. 10 is a cross sectional view taken along the line 10-10
of FIG. 2 and viewed in the direction of the arrows.
The broken lines depict portions of the door facing that form
no part of the claimed design. The broken line circles in
FIGS. 6 and 7 indicate a boundary of the enlarged view and
form no part of the claimed design.

1 Claim, 5 Drawing Sheets



(56)

References Cited

U.S. PATENT DOCUMENTS

D585,143	S	*	1/2009	Steiber	D25/48.3
D585,144	S	*	1/2009	Steiber	D25/48.3
D587,815	S	*	3/2009	Steiber	D25/48.3
D756,534	S	*	5/2016	Allen	D25/48.3
D796,060	S	*	8/2017	Cox	D25/48.3
D797,312	S	*	9/2017	Cox	D25/48.3
D797,954	S	*	9/2017	Allen	D25/48.3
D804,057	S	*	11/2017	Allen	D25/48.3
D819,227	S	*	5/2018	Cox	D25/48.3
D844,176	S	*	3/2019	Allen	D25/48.3
2012/0141717	A1	*	6/2012	Overton	E06B 3/7001 428/57

* cited by examiner

FIG. 1

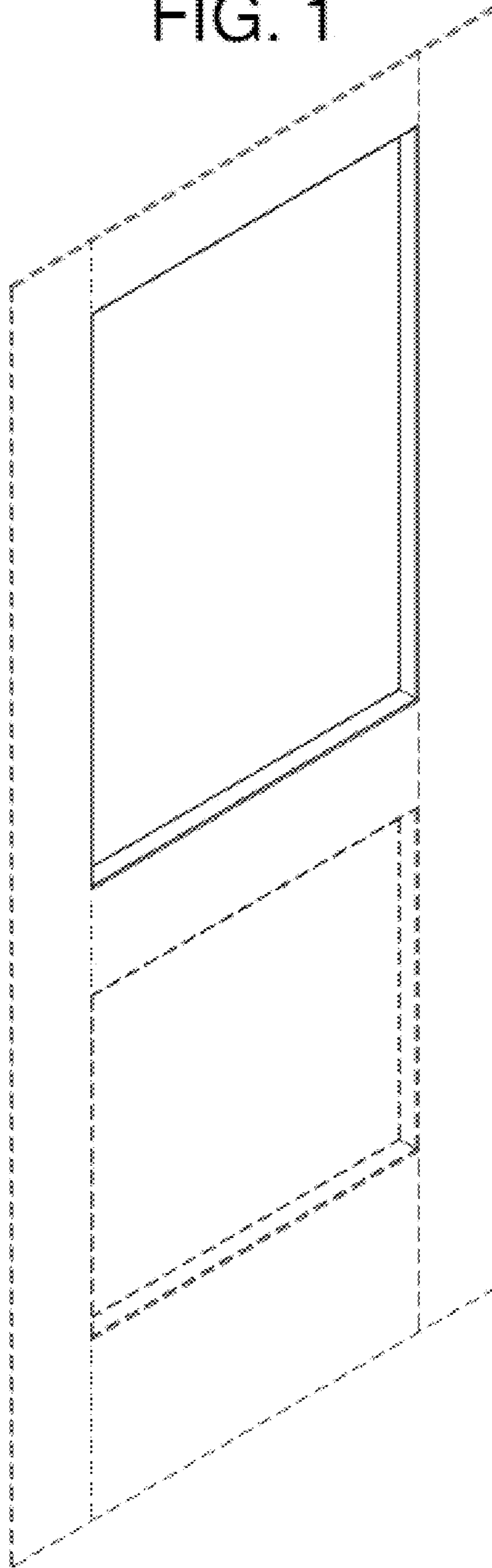


FIG. 2

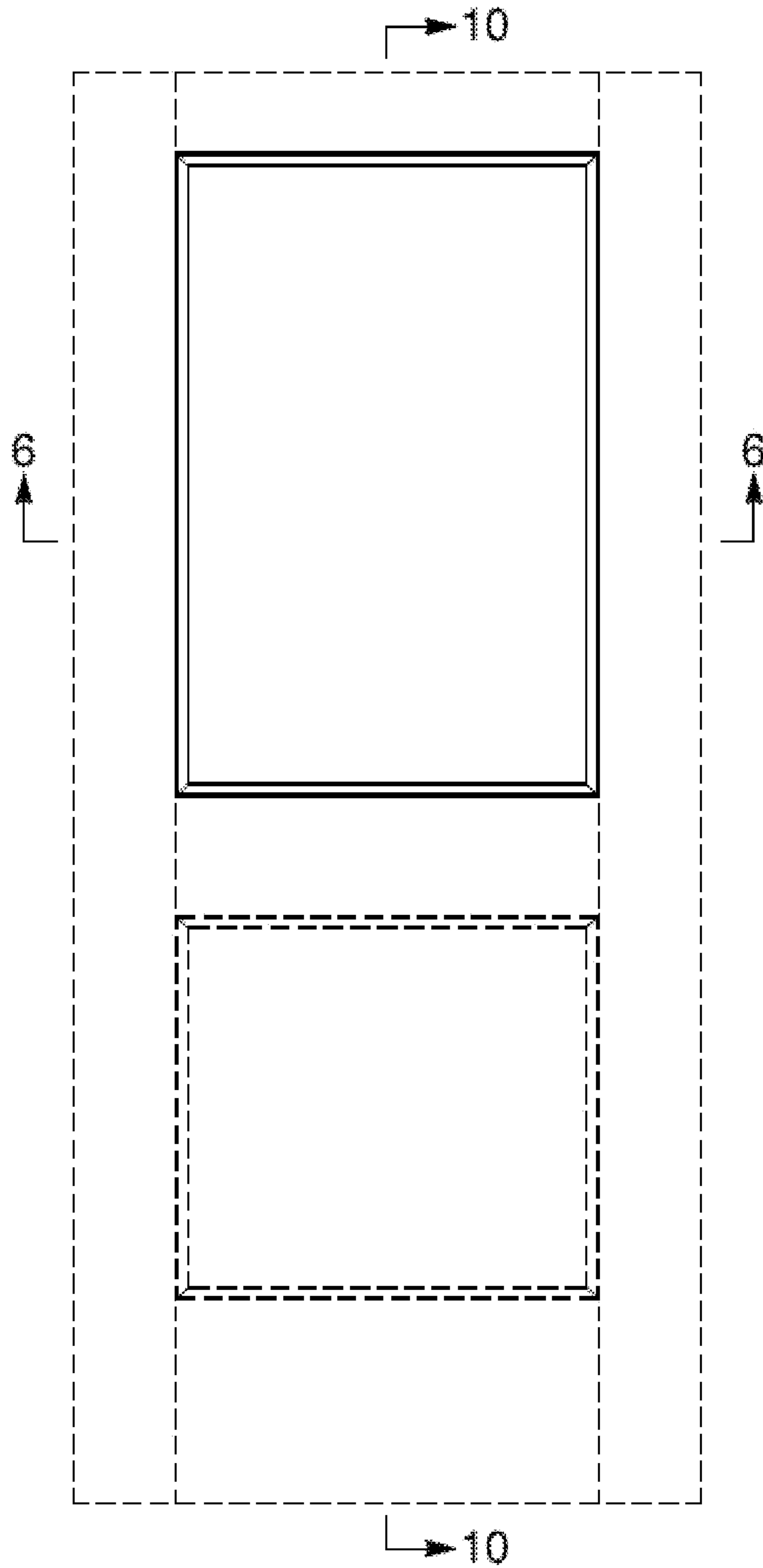


FIG. 3

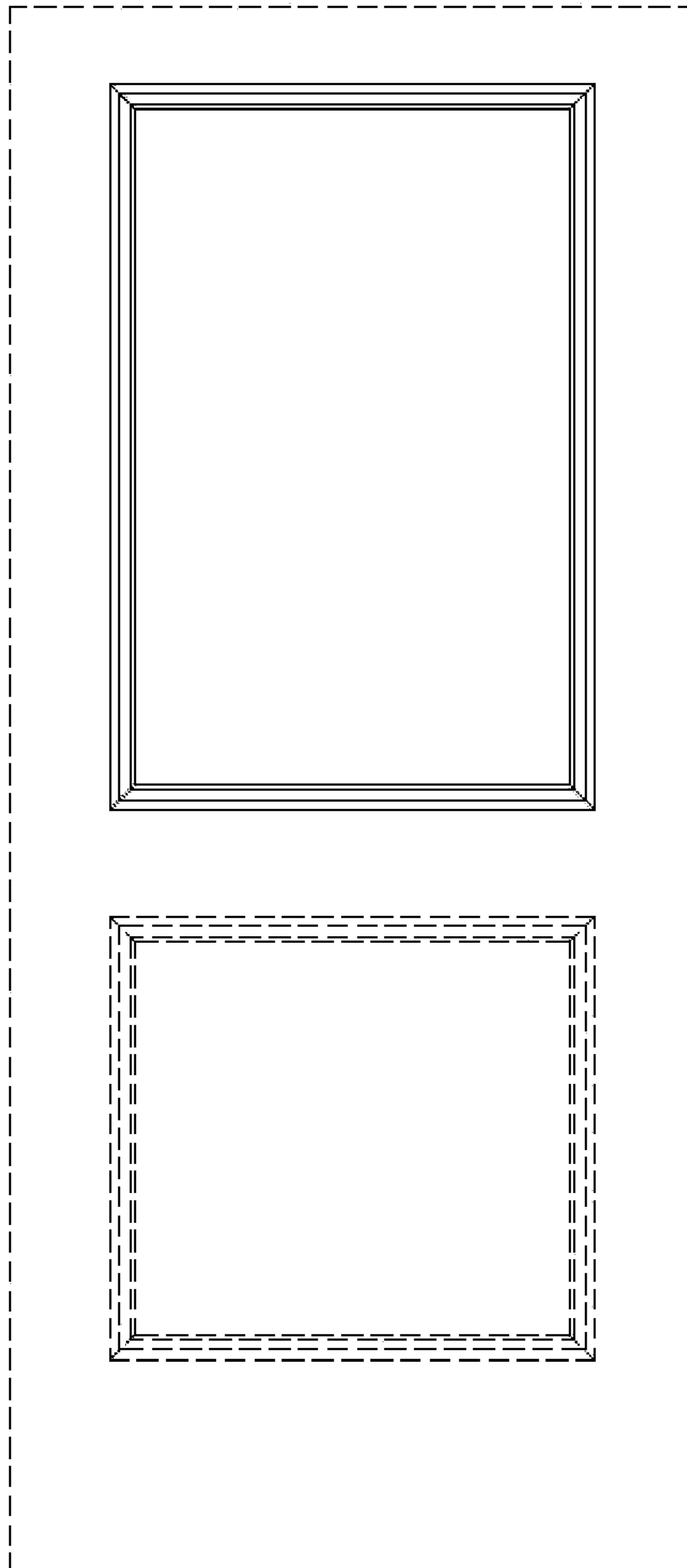


FIG. 4



FIG. 5

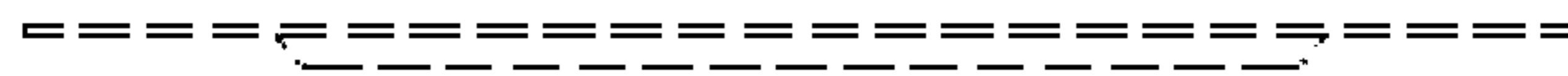


FIG. 6

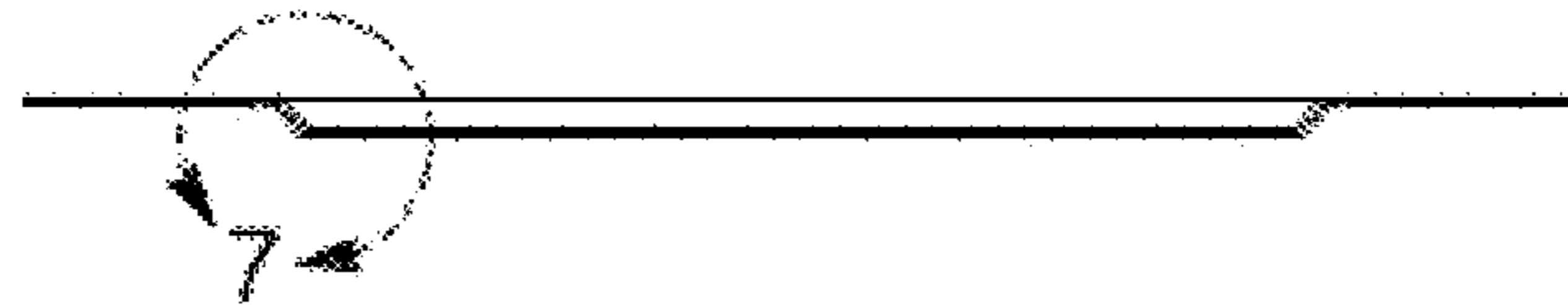


FIG. 7

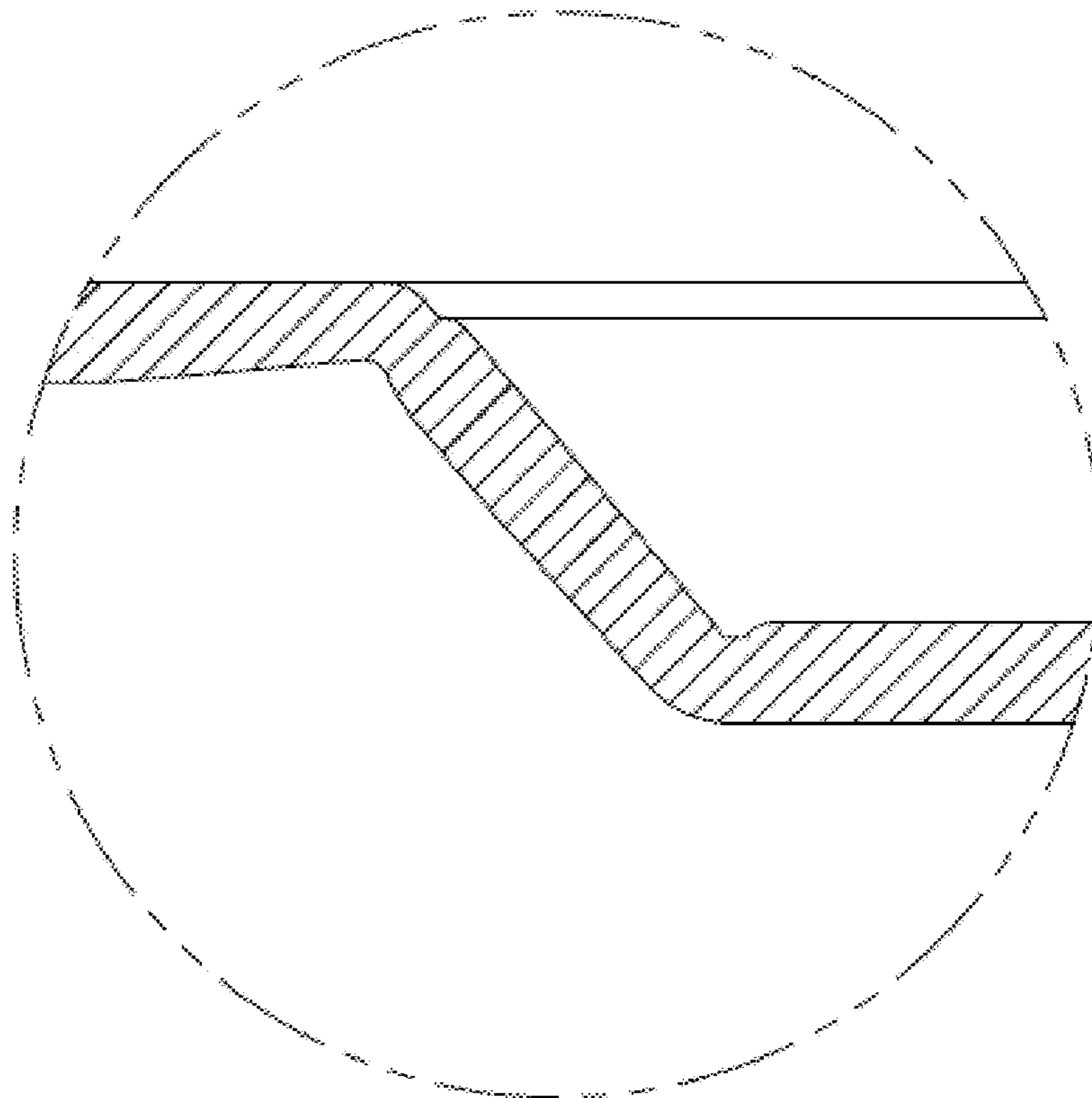


FIG. 8



FIG. 9



FIG. 10

