



US00D900338S

(12) **United States Design Patent** (10) **Patent No.:** **US D900,338 S**
Hamilton (45) **Date of Patent:** **** Oct. 27, 2020**

(54) **ATRIUM FOR AN EDUCATIONAL LEARNING FACILITY**

(71) Applicant: **Brenda Hamilton**, Knoxville, TN (US)

(72) Inventor: **Brenda Hamilton**, Knoxville, TN (US)

(**) Term: **15 Years**

(21) Appl. No.: **29/679,775**

(22) Filed: **Feb. 28, 2019**

Related U.S. Application Data

(63) Continuation of application No. 29/550,414, filed on Jan. 4, 2016, now Pat. No. Des. 884,212, which is a continuation-in-part of application No. 29/498,639, filed on Aug. 6, 2014, now abandoned.

(51) **LOC (12) Cl.** **25-02**

(52) **U.S. Cl.**
USPC **D25/35**

(58) **Field of Classification Search**

USPC D25/1, 2, 3, 4, 5, 6, 7, 8, 9, 10, 11, 12, D25/13, 14, 15, 16, 17, 18, 19, 20, 21, D25/22, 23, 24, 25, 26, 27, 28, 29, 30, D25/31, 32, 33, 34, 35; 52/36.1, 52/79.1-79.6, 169.6, 80.1, 90.1, 91.1; D21/334, 335, 336, 337, 338, 339, 340, D21/341, 342, 343, 344, 345, 346, 347, D21/348, 362, 363, 364, 365, 366, 367, D21/368, 369, 370, 371, 302, 306, 308, D21/309, 478, 479, 480; D30/101, 102, D30/103, 104, 105, 106, 107; D3/270, D3/271.1; D11/96; D7/605-611; D6/340, 349, 355, 361, 495, 500, 501, D6/502; D1/100-130, 199
CPC A47B 2200/01; A47B 21/06; E04B 2002/7483; E04B 2002/7488; E04B 2/7224; E04B 2/7425; E04B 2/7455; E04B 2/7433

See application file for complete search history.

(56) **References Cited**

U.S. PATENT DOCUMENTS

430,030 A 6/1890 Jones
D25,053 S 1/1896 Cochrane
D32,838 S 6/1900 Kolp
1,185,176 A 5/1916 Cardozo
D107,425 S 12/1937 Harrison et al.

(Continued)

FOREIGN PATENT DOCUMENTS

JP D1310525 9/2007

OTHER PUBLICATIONS

https://hamiltonlearning-foundation.org/A_Natural_Model_For_Education_Reform.html Nov. 30, 2015 (Year: 2015).

Primary Examiner — Samantha Q Lawrence

(74) *Attorney, Agent, or Firm* — Baker Donelson; Thomas A. Hodge; Carl M. Davis, II

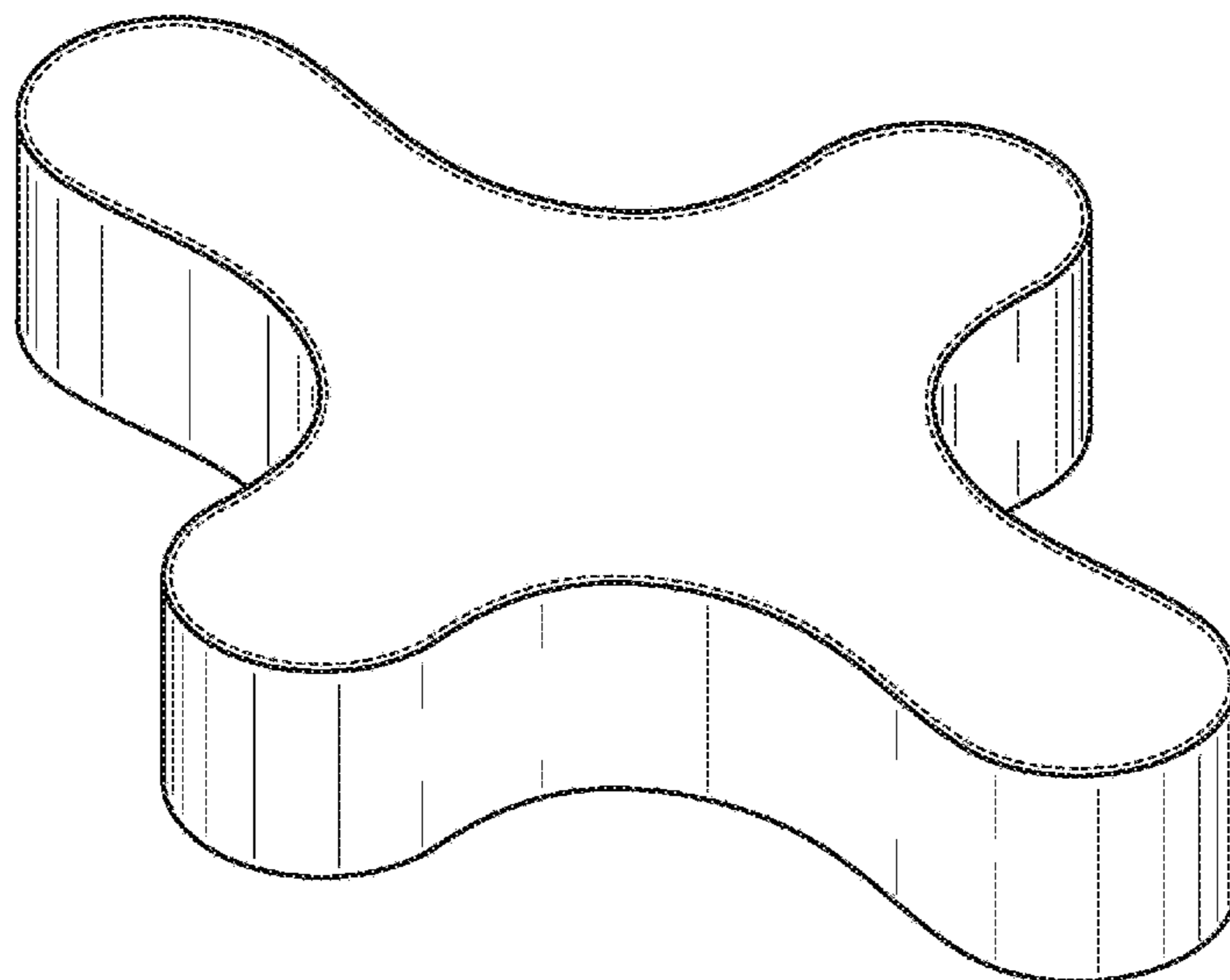
(57) **CLAIM**

I claim the ornamental design for an atrium for an educational learning facility, as shown and described.

DESCRIPTION

FIG. 1 illustrates a plan view of an atrium for an educational learning facility of my new design; FIG. 2 illustrates an upper right perspective view thereof; FIG. 3 illustrates a front elevational view thereof, the rear elevational view being a mirror image; and, FIG. 4 illustrates a right elevational view thereof, the left elevational view being a mirror image. The broken lines shown on the top, inner edge of FIGS. 1 and 2 illustrate boundaries of the atrium for an educational learning facility that form no part of the claimed design. The additional broken lines shown in FIG. 1 illustrate environment and form no part of the claimed design.

1 Claim, 2 Drawing Sheets



(56)

References Cited

U.S. PATENT DOCUMENTS

D157,950 S 4/1950 Goldstein
 D180,244 S 5/1957 Peters et al.
 2,891,139 A * 6/1959 Wass A47B 13/12
 108/23
 D190,631 S 6/1961 Miller
 D194,184 S * 12/1962 Clauss D25/58
 3,137,371 A 6/1964 Nye
 3,418,765 A 12/1968 Propst
 D222,047 S 9/1971 Brenner
 D222,440 S 10/1971 Grasbrammar
 3,685,221 A 8/1972 Mangan
 D238,841 S * 2/1976 Goulooze D6/644
 D268,351 S 3/1983 Steinberg
 D268,352 S 3/1983 Steinberg
 D303,818 S * 10/1989 Fitzpatrick D21/480
 5,186,519 A * 2/1993 Larson A47C 9/005
 297/338
 5,287,666 A 2/1994 Frascaroli
 5,362,923 A 11/1994 Newhouse
 D357,510 S * 4/1995 Kushner D21/503
 5,394,658 A 9/1995 Schreiner
 D370,562 S * 6/1996 Arini D21/479
 D371,578 S 7/1996 Henderson
 5,554,074 A 9/1996 Von Parrish
 5,628,154 A 5/1997 Gavette
 5,957,698 A 9/1999 Dean
 D415,847 S * 10/1999 Schaefer D25/126
 D427,813 S * 7/2000 Foster D6/696.3
 D490,906 S 6/2004 Small
 D497,068 S 10/2004 Lipsztein

D499,151 S * 11/2004 Arabian D21/479
 D510,772 S 10/2005 Newland
 D546,478 S 7/2007 Adam
 D554,202 S 10/2007 Knight
 D555,210 S 11/2007 Knight
 D555,211 S 11/2007 Knight
 D572,985 S * 7/2008 Galeano D8/1
 D577,130 S 9/2008 Hamel
 D616,565 S 5/2010 Essenburg
 D638,047 S 5/2011 Lian
 D656,240 S 3/2012 Andreini
 D659,260 S 5/2012 MacDonald
 D659,853 S 5/2012 Backus
 D663,857 S 7/2012 Marshall
 D670,819 S 11/2012 O'Sullivan
 D676,574 S 2/2013 O'Sullivan
 D676,575 S 2/2013 Wada
 D682,357 S * 5/2013 Scollin D20/23
 D683,048 S 5/2013 Yoder
 D683,469 S 5/2013 Yoder
 D695,908 S 12/2013 Adema
 D702,365 S 4/2014 Adema
 D721,142 S * 1/2015 Ziegler D21/479
 D721,859 S * 1/2015 Muhlbauer D21/479
 D733,323 S 6/2015 Park
 D761,443 S 7/2016 Martinez
 D804,598 S * 12/2017 Albert D21/797
 10,156,064 B1 12/2018 Novikov
 D857,920 S 8/2019 Hamilton
 2004/0033873 A1 * 2/2004 Van Straaten A63B 23/0211
 482/142
 2004/0082334 A1 4/2004 Petick
 2009/0293402 A1 12/2009 Hamilton

* cited by examiner

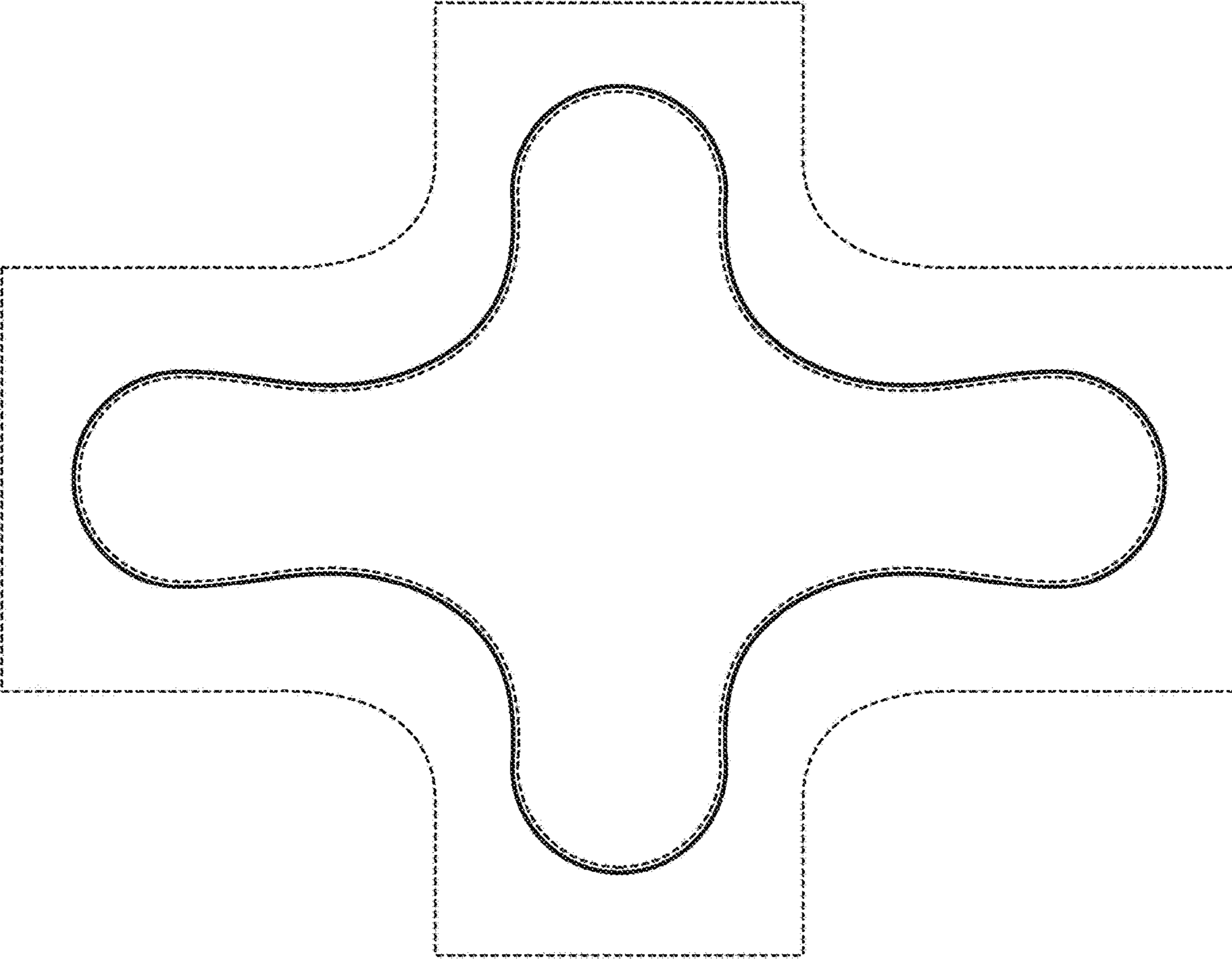


FIG. 1

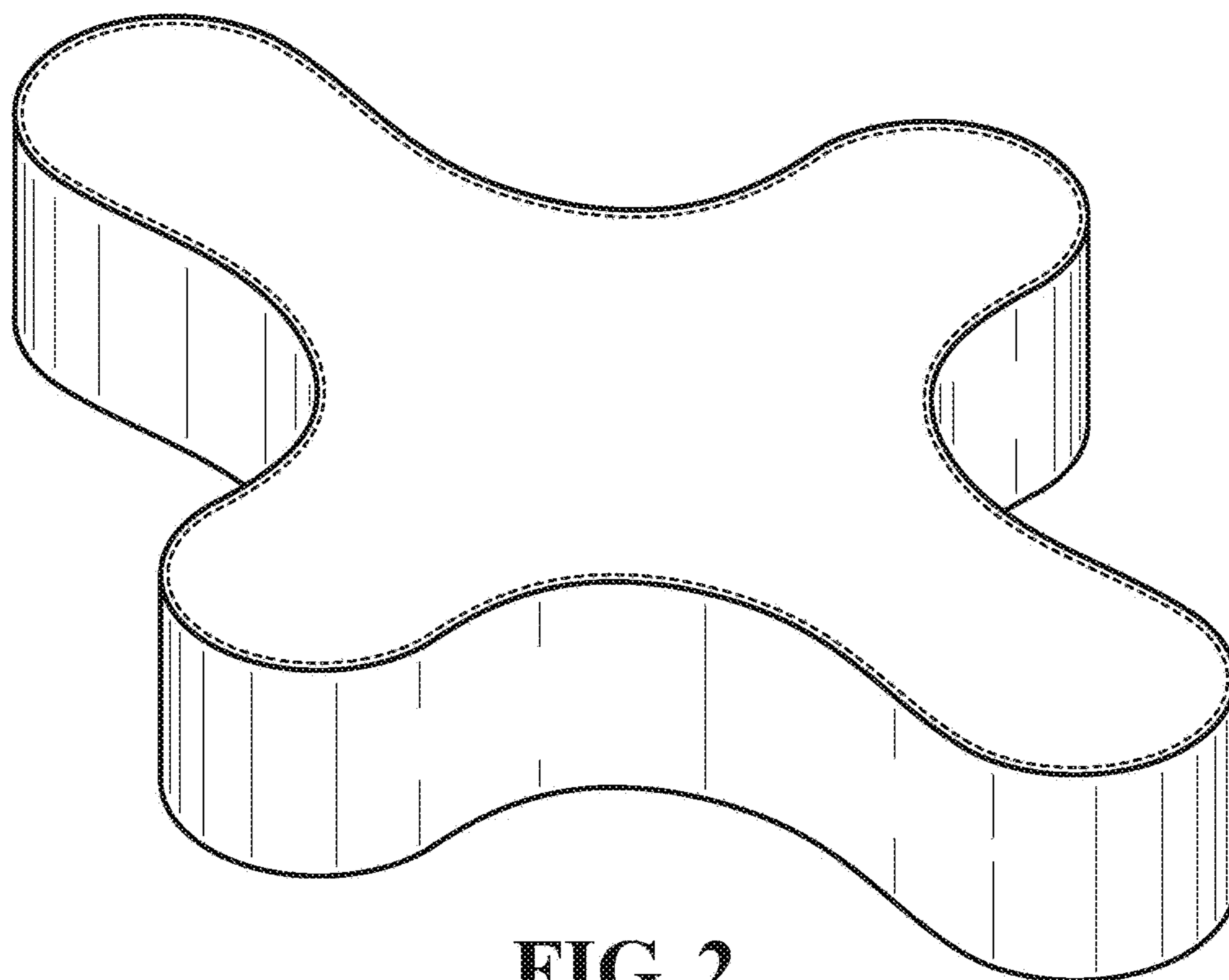


FIG. 2

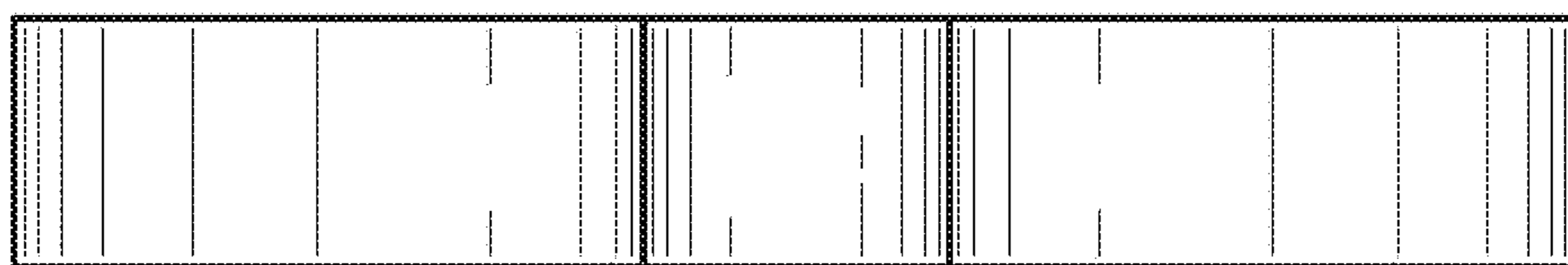


FIG. 3

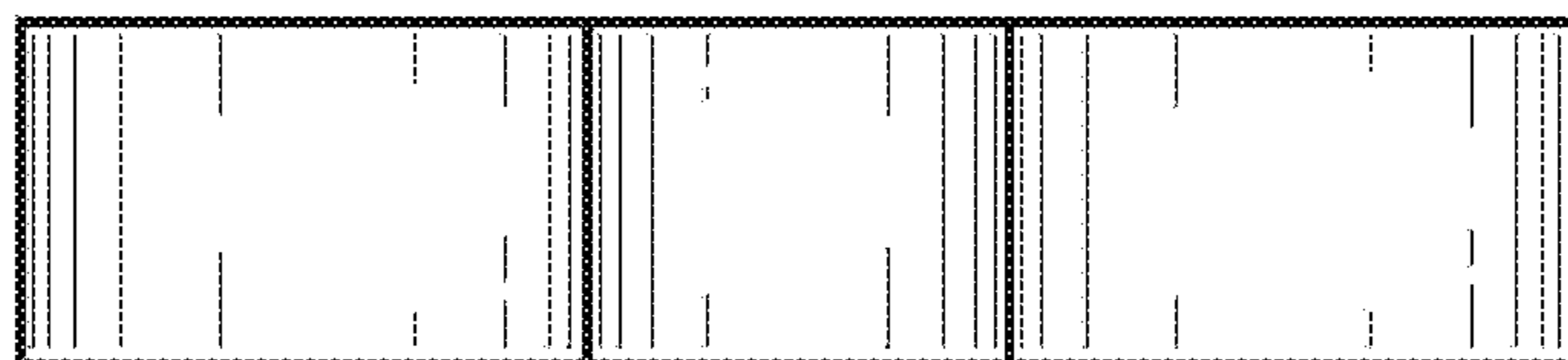


FIG. 4