



US00D900337S

(12) **United States Design Patent**  
**Kamees et al.**

(10) **Patent No.:** **US D900,337 S**

(45) **Date of Patent:** **\*\* Oct. 27, 2020**

(54) **TUBE RACK**

(71) Applicant: **Heathrow Scientific LLC**, Vernon Hills, IL (US)

(72) Inventors: **Gary Dean Kamees**, Gurnee, IL (US);  
**Brian Schneider**, Crystal Lake, IL (US)

(73) Assignee: **HEATHROW SCIENTIFIC LLC**,  
Vernon Hills, IL (US)

(\*\*) Term: **15 Years**

(21) Appl. No.: **29/672,597**

(22) Filed: **Dec. 6, 2018**

(51) **LOC (12) Cl.** ..... **D24-02**

(52) **U.S. Cl.**  
USPC ..... **D24/227**

(58) **Field of Classification Search**  
USPC ..... D24/224–230, 216, 217, 232  
CPC .. B01L 9/065; B01L 9/543; B01L 9/00; B01L  
9/06

See application file for complete search history.

(56) **References Cited**

**U.S. PATENT DOCUMENTS**

- 3,379,315 A \* 4/1968 Broadwin ..... B01L 9/543  
211/72
- D240,239 S \* 6/1976 Calandrino ..... D24/230
- D250,348 S \* 11/1978 Frangiosa ..... D24/230
- D333,522 S \* 2/1993 Gianino ..... D24/229
- D333,523 S \* 2/1993 Gianino ..... D24/229
- D359,126 S \* 6/1995 Hovatter ..... D24/227
- 5,996,818 A \* 12/1999 Boje ..... B01L 9/06  
206/443
- D461,554 S \* 8/2002 Lafond ..... D24/227
- D632,404 S \* 2/2011 Karpiloff ..... D24/230
- D808,540 S \* 1/2018 Johns ..... D24/227
- D812,243 S \* 3/2018 Johns ..... D24/227
- D812,244 S \* 3/2018 Shanafelter ..... D24/230
- 10,512,517 B2 \* 12/2019 Orr ..... B65D 25/205

- 2012/0175328 A1\* 7/2012 Bosch ..... B01L 9/06  
211/85.18
- 2013/0330254 A1\* 12/2013 Jensen ..... B01L 9/06  
422/562
- 2015/0336102 A1\* 11/2015 Tyagi ..... B01L 9/06  
422/562
- 2019/0076848 A1\* 3/2019 Belz ..... B01L 9/543

**FOREIGN PATENT DOCUMENTS**

CN 201230027384 \* 2/2012

**OTHER PUBLICATIONS**

Clinical 4 Way Rack. Online, published date unknown. Retrieved on Feb. 24, 2020 from URL: <https://www.heathrowscientific.com/tube-racks-1/clinical-4-way-rack-i-120684-group>.\*

\* cited by examiner

*Primary Examiner* — Susan Bennett Hattan

*Assistant Examiner* — Omeed Agilee

(74) *Attorney, Agent, or Firm* — Michael Best & Friedrich LLP

(57) **CLAIM**

The ornamental design for a tube rack, as shown and described.

**DESCRIPTION**

FIG. 1 is a front perspective view of a tube rack showing my new design;  
FIG. 2 is a top plan view thereof;  
FIG. 3 is a right side elevational view thereof;  
FIG. 4 is a bottom plan view thereof;  
FIG. 5 is a left side elevational view thereof;  
FIG. 6 is a front elevational view thereof; and,  
FIG. 7 is a rear elevational view thereof.  
The broken lines depict portions of the tube rack that form no part of the claimed design.

**1 Claim, 6 Drawing Sheets**

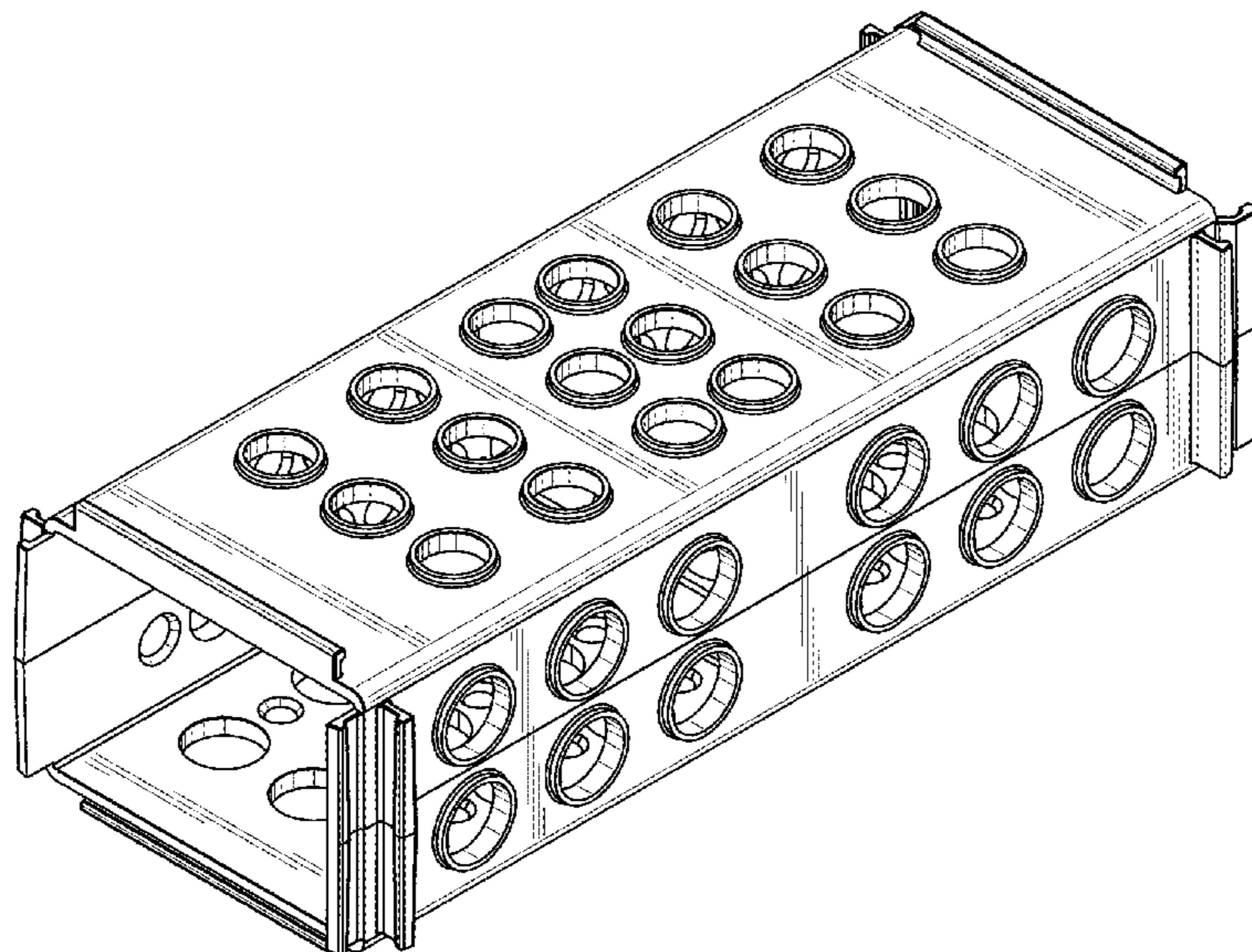


Fig. 1

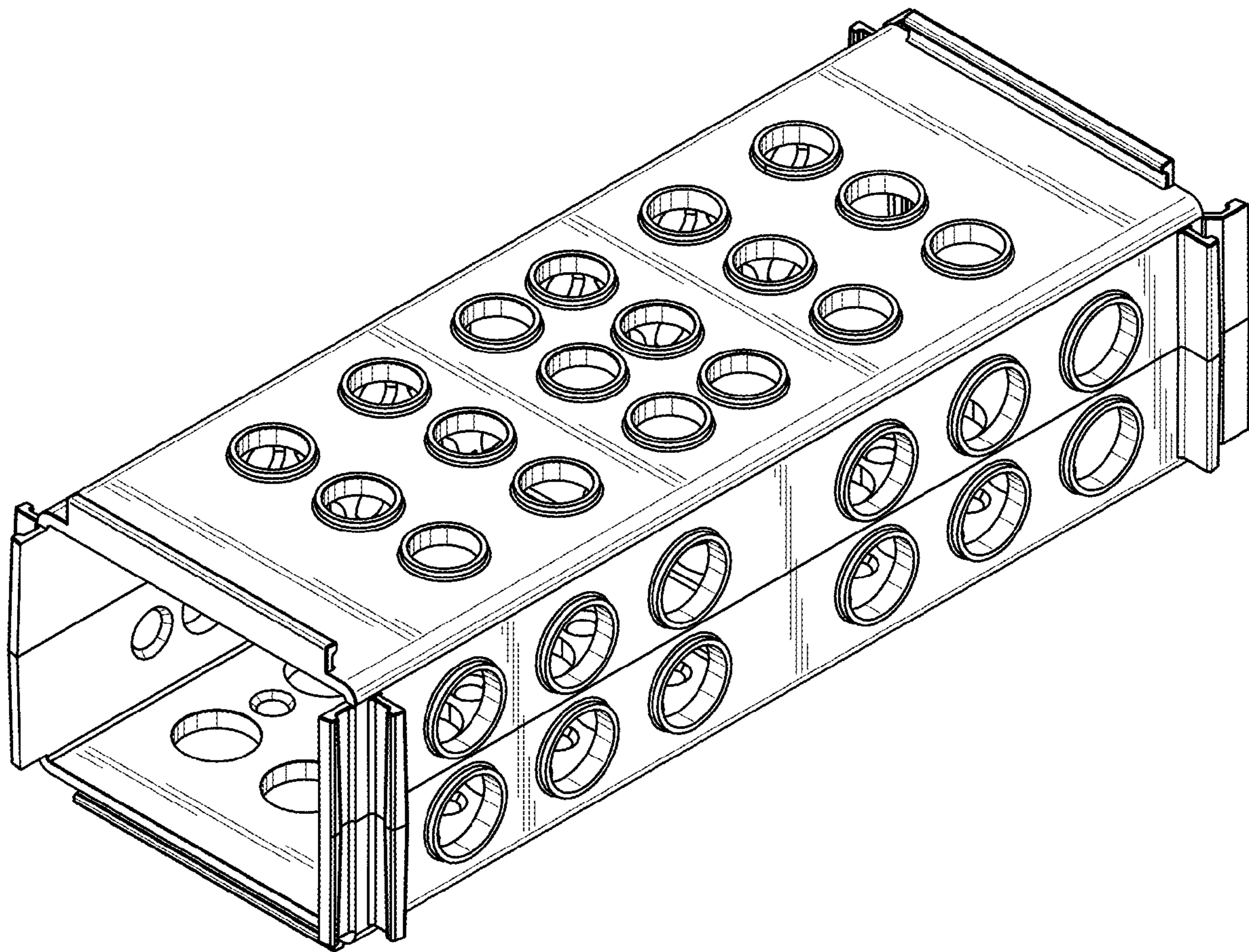


Fig. 2

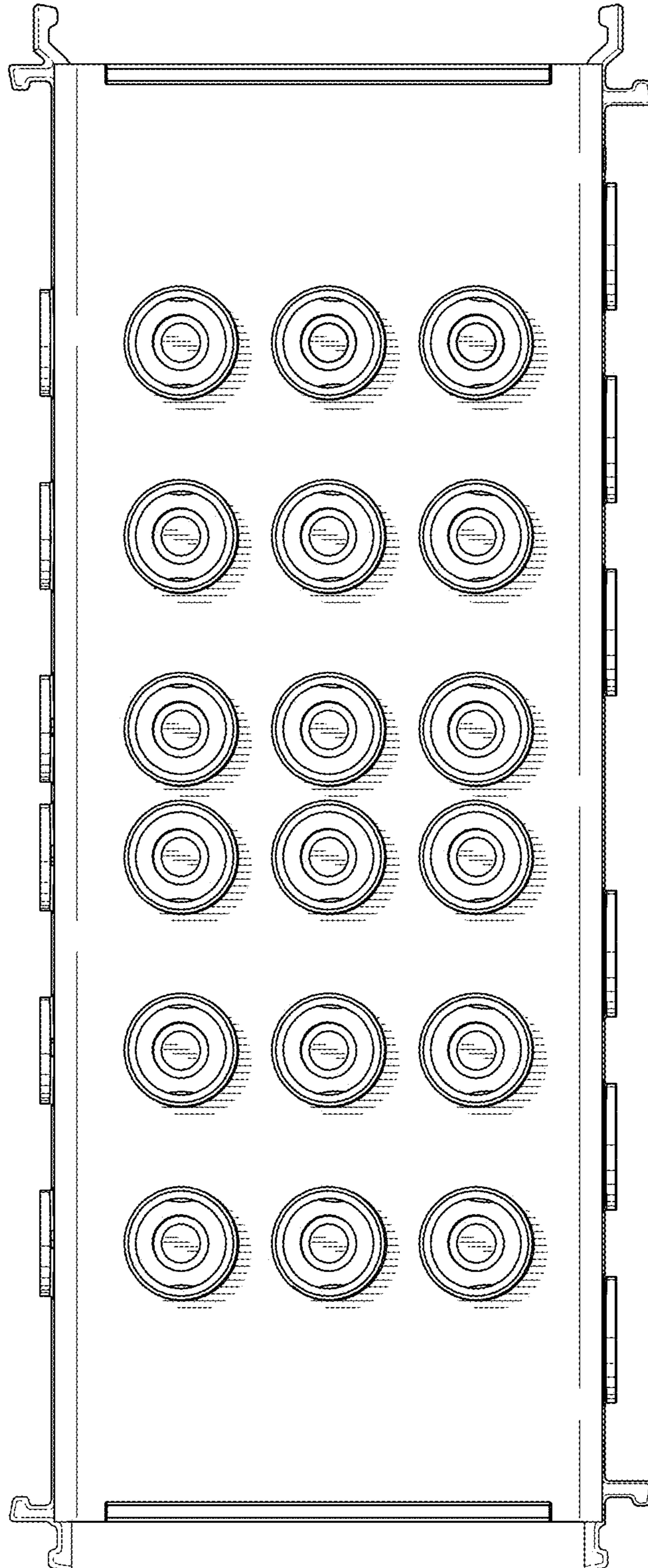


Fig. 3

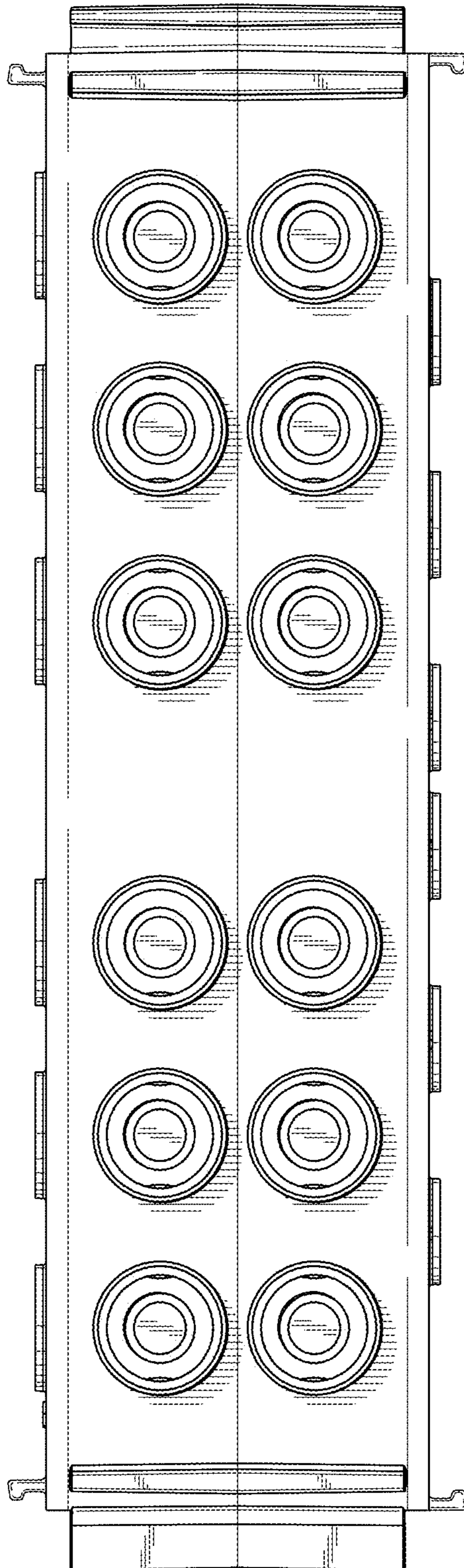


Fig. 4

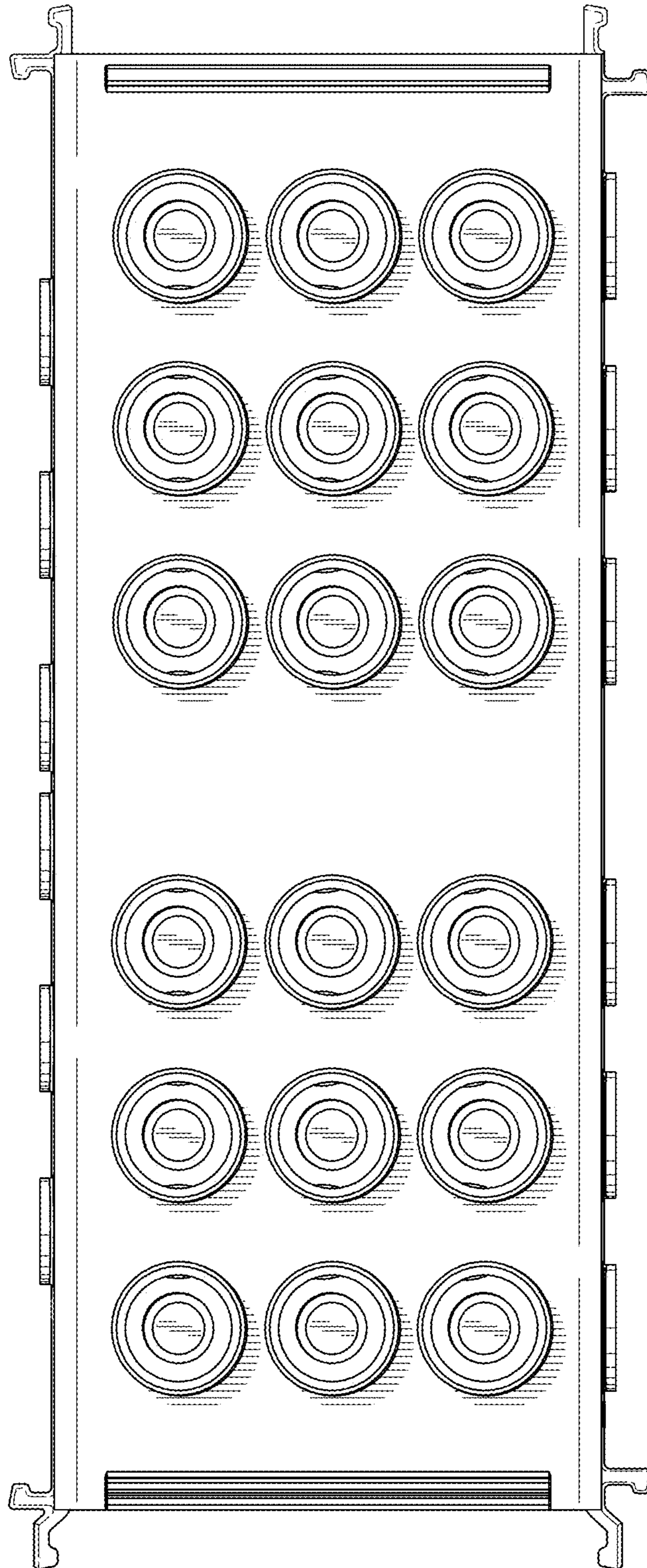


Fig. 5

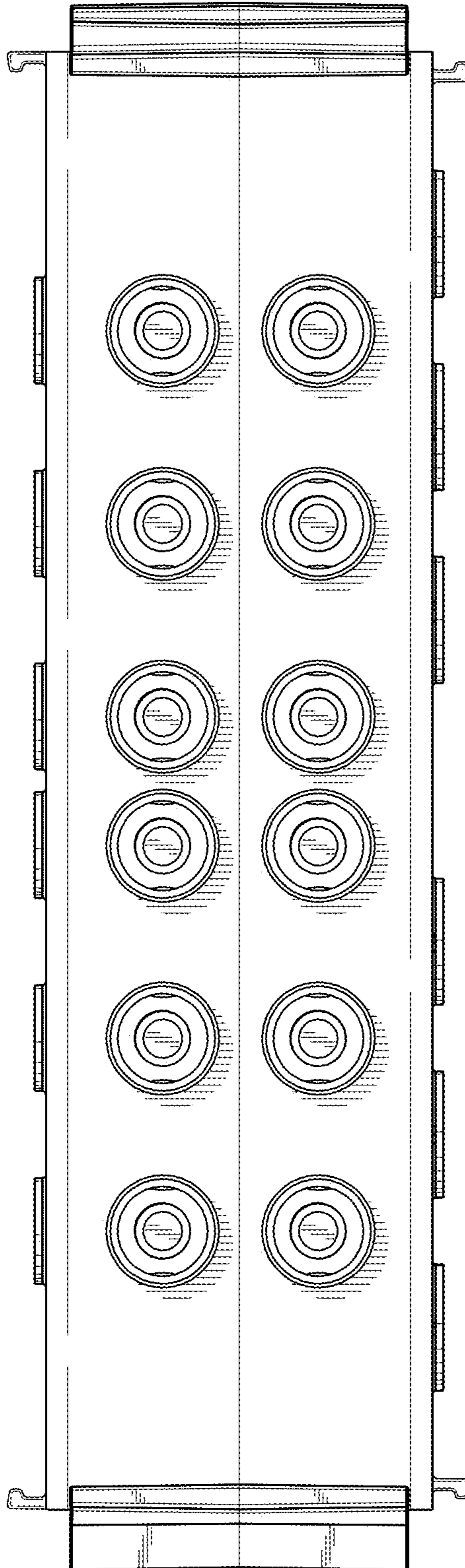


Fig. 6

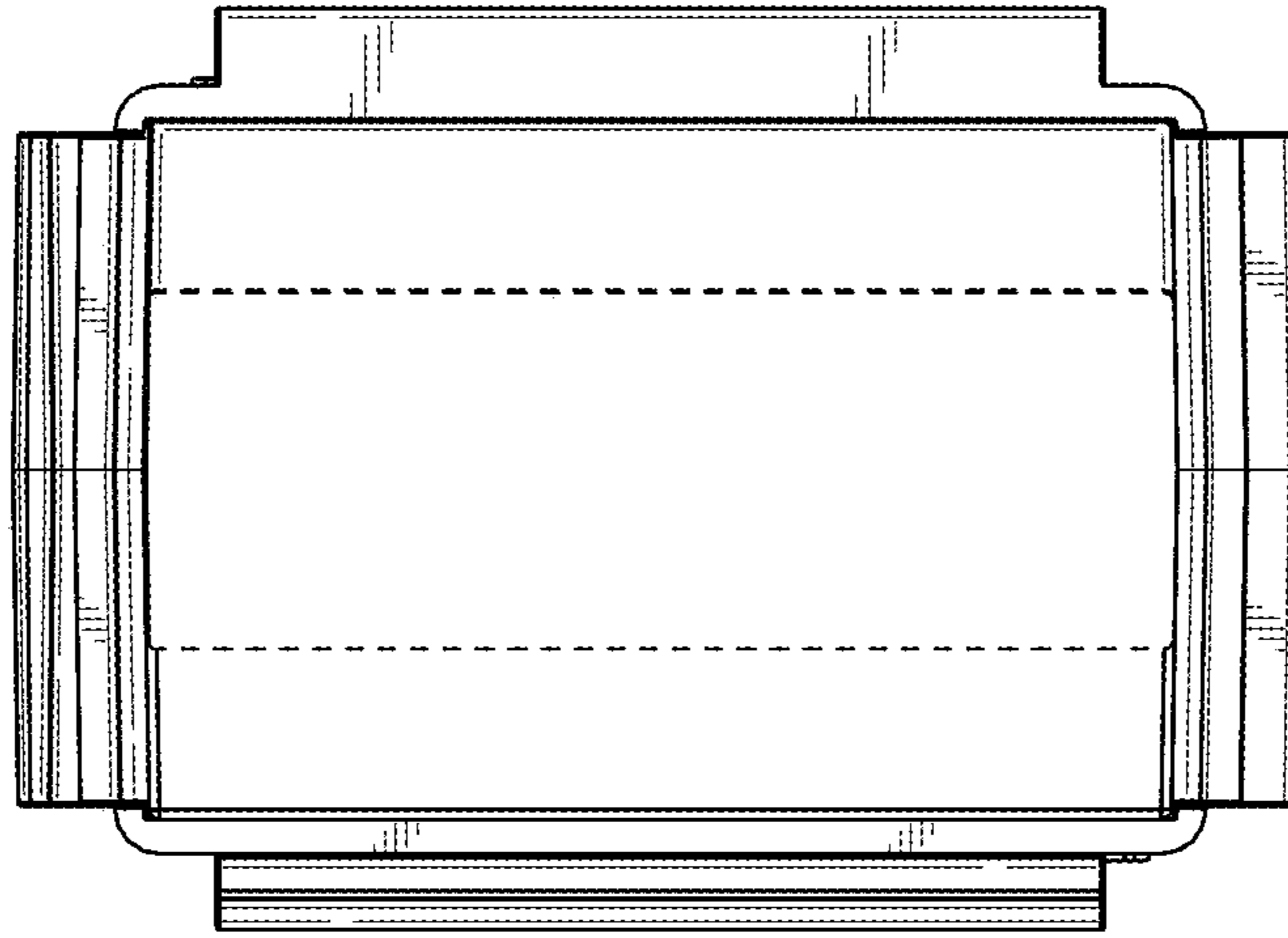


Fig. 7

