



US00D900335S

(12) **United States Design Patent** (10) **Patent No.:** **US D900,335 S**  
**Goeckner et al.** (45) **Date of Patent:** **\*\* Oct. 27, 2020**

- (54) **BIOPSY SAMPLE CONTAINER**
- (71) Applicant: **Leica Biosystems Richmond, Inc.**,  
Richmond, IL (US)
- (72) Inventors: **Bruce A. Goeckner**, Antioch, IL (US);  
**Heather Renko-Breed**, Rockton, IL  
(US); **Randy Shanahan**, Antioch, IL  
(US)
- (73) Assignee: **LEICA BIOSYSTEMS RICHMOND,  
INC.**, Richmond, IL (US)
- (\*\*) Term: **15 Years**
- (21) Appl. No.: **29/661,392**
- (22) Filed: **Aug. 27, 2018**
- (51) **LOC (12) Cl.** ..... **24-02**
- (52) **U.S. Cl.**  
USPC ..... **D24/224**
- (58) **Field of Classification Search**  
USPC ..... D24/216, 222, 224–232;  
D3/203.1–203.8, 273, 294, 302, 304, 312;  
D9/420, 423, 424, 434, 454  
CPC ..... A61B 10/0096  
See application file for complete search history.

(56) **References Cited**

U.S. PATENT DOCUMENTS

D280,015 S *	8/1985	Sarajian	.....	D24/227
D295,074 S *	4/1988	Jerge	.....	D24/217
D476,423 S *	6/2003	Picot	.....	D24/217
D525,714 S *	7/2006	Ueda	.....	D24/227
D530,092 S *	10/2006	Roesler	.....	D3/294
D569,103 S *	5/2008	Hoge	.....	D3/273
D691,280 S *	10/2013	Matoba	.....	D24/216
D733,314 S *	6/2015	Lui	.....	D24/227
D733,315 S *	6/2015	Lui	.....	D24/227
D733,316 S *	6/2015	Lui	.....	D24/227
D743,047 S *	11/2015	Asao	.....	D24/226
D791,964 S *	7/2017	Lui	.....	D24/227
D802,788 S *	11/2017	Cormier	.....	D24/229

D858,103 S *	9/2019	Seibert	.....	D3/294
D858,989 S *	9/2019	Kim	.....	D3/294
D859,686 S *	9/2019	Charm	.....	D24/224
2012/0309297 A1 *	12/2012	Bates	.....	G11B 5/00821 455/39

FOREIGN PATENT DOCUMENTS

CN 200830191913 \* 9/2008

OTHER PUBLICATIONS

Leica LP C Biopsy Cassettes. Online, published date unknown. Retrieved on Sep. 12, 2019 from URL: <https://shop.leicabiosystems.com/us/histology-consumables/cassettes/pid-leica-lp-c-biopsy-cassettes>.\*

(Continued)

*Primary Examiner* — Susan Bennett Hattan  
*Assistant Examiner* — Omeed Agilee  
(74) *Attorney, Agent, or Firm* — Thompson Coburn LLP

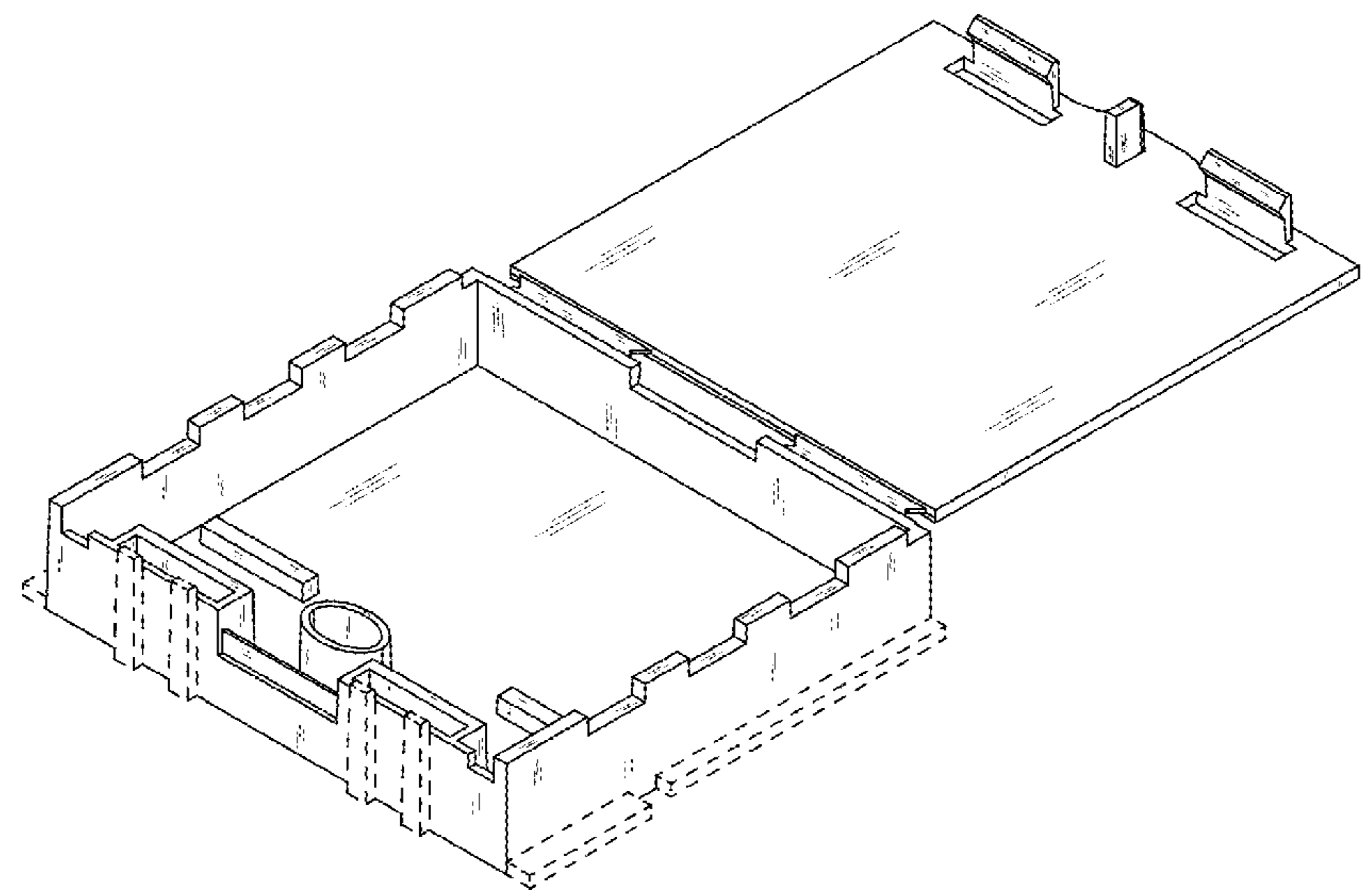
(57) **CLAIM**

The ornamental design for a biopsy sample container, as shown and described.

**DESCRIPTION**

FIG. 1 is a perspective view of a biopsy sample container showing the new design;  
FIG. 2 is a top view plan view thereof;  
FIG. 3 is a bottom plan view thereof;  
FIG. 4 is a left side elevational view thereof;  
FIG. 5 is a right side elevation view thereof;  
FIG. 6 is a front elevational view thereof;  
FIG. 7 is a rear elevational view thereof; and,  
FIG. 8 is a perspective view of the biopsy sample container in a closed configuration.  
The broken lines in the drawings depict portions of the biopsy sample container that form no part of the claimed design.

**1 Claim, 8 Drawing Sheets**



(56)

**References Cited**

OTHER PUBLICATIONS

“Design of Living Hinges”, DuPont Engineering Polymers, General Design Principles—Module I, p. 50, E.I. du Pont de Nemours and Company.

“Cantilever Snap Joints”, Snap-Fit Joints for Plastics, A Design Guide, p. 8-17, Bayer MaterialScience LLC.

\* cited by examiner

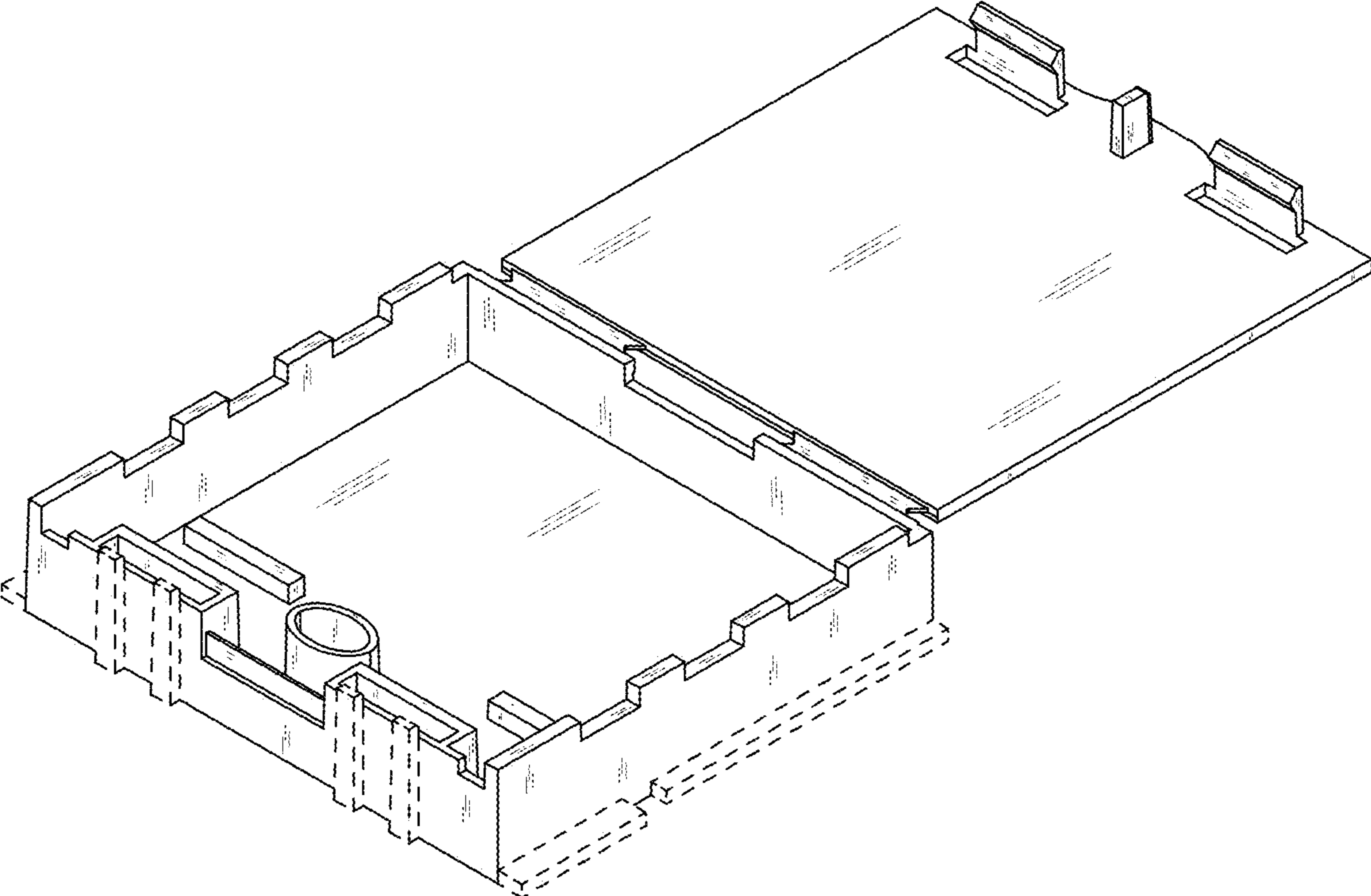


FIG. 1

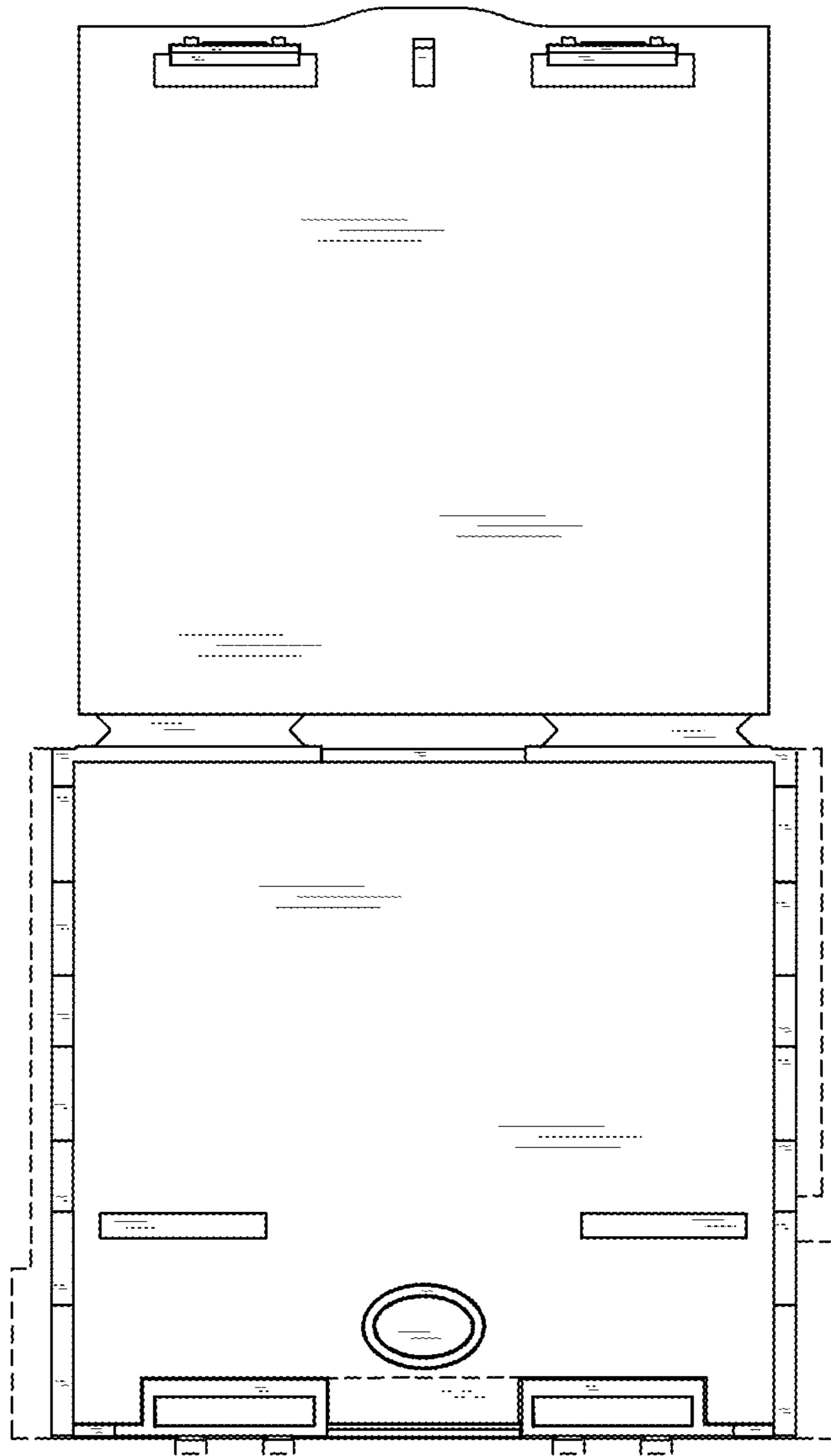


FIG. 2

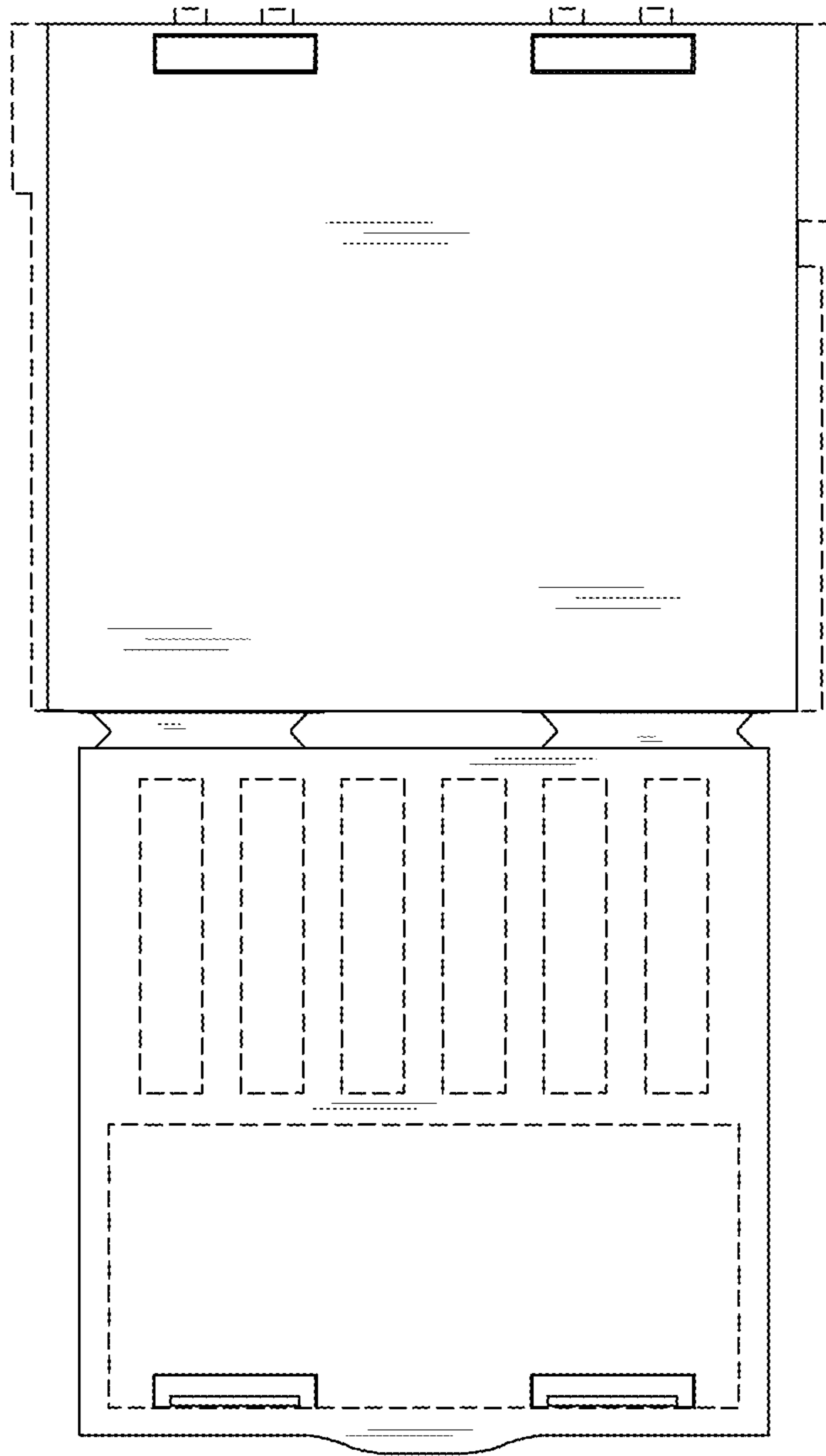


FIG. 3

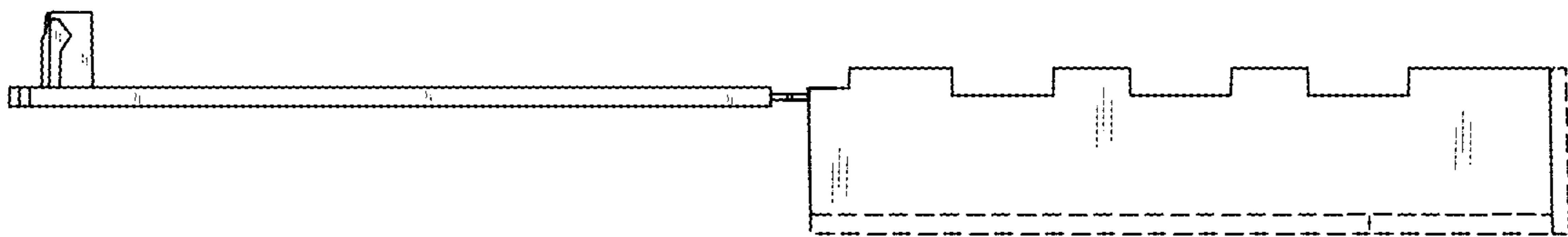


FIG. 4

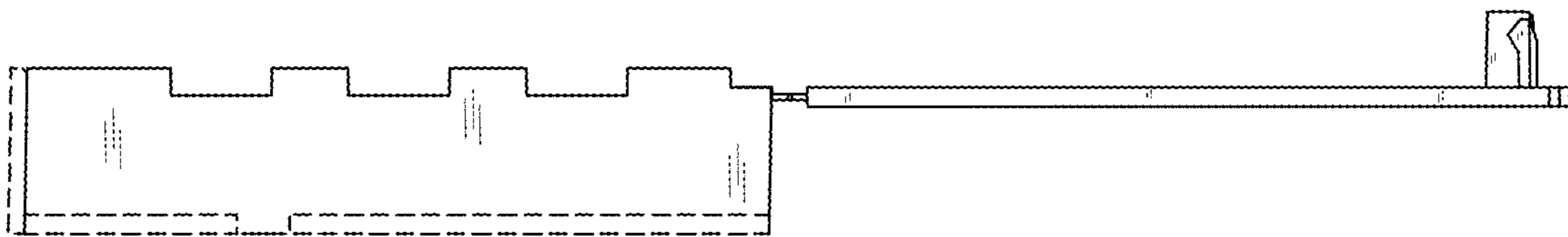


FIG. 5

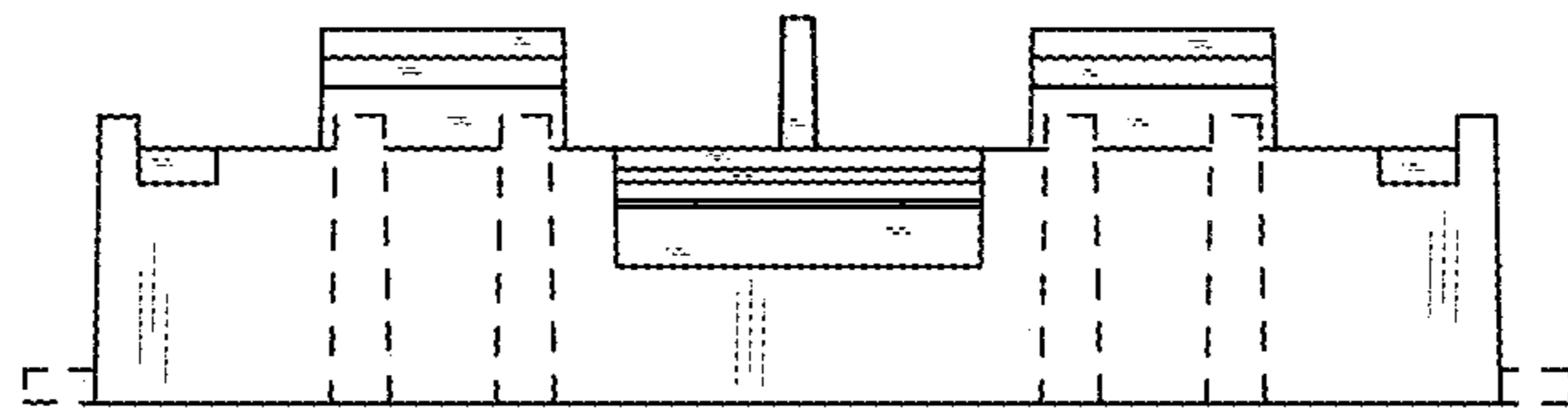


FIG. 6



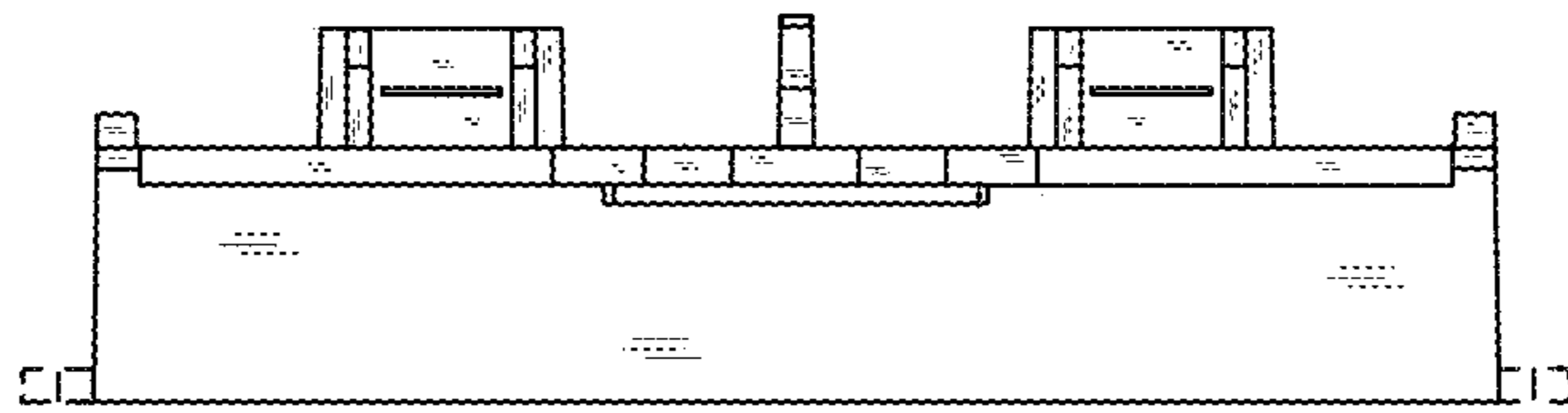


FIG. 7

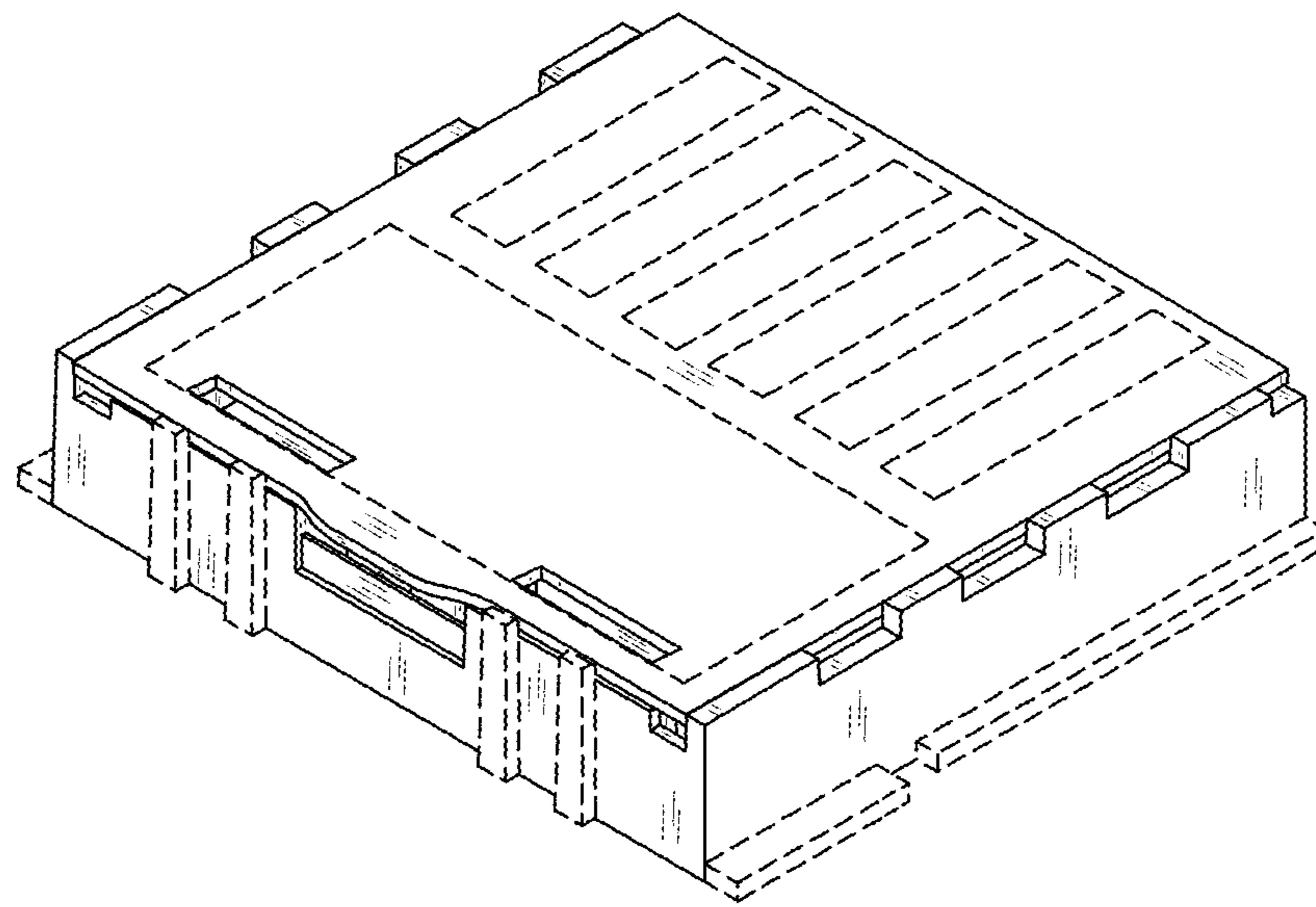


FIG. 8