



US00D900333S

(12) **United States Design Patent** (10) **Patent No.:** **US D900,333 S**
Xie (45) **Date of Patent:** **** Oct. 27, 2020**

(54) **RECHARGEABLE BOX FOR UVC
DISINFECTION**

(71) Applicant: **Fanzhida Technology (Shenzhen) Co.,
Ltd., Shenzhen (CN)**

(72) Inventor: **Zhen Xie, Shenzhen (CN)**

(73) Assignee: **Fanzhida Technology (Shenzhen) Co.,
Ltd., Shenzhen (CN)**

(**) Term: **15 Years**

(21) Appl. No.: **29/733,133**

(22) Filed: **Apr. 29, 2020**

(51) **LOC (12) Cl.** **24-01**

(52) **U.S. Cl.**
USPC **D24/217**

(58) **Field of Classification Search**
USPC D24/216, 217, 218, 219, 231, 232;
D32/1, 25; D3/203.1, 294; D13/107,
D13/108

CPC A61L 2/26; A61L 2/24; A61L 2/17; A61L
2/18; A61L 2/025; A61L 2202/122; A61L
2202/10; A61L 2202/11; A61L 2202/14;
A61L 2202/23; A61L 2202/24; A61L
2202/182; A61L 2/0047; A61L 2/0052;
A61L 2/0058; A61L 2/10; A61L 2202/25

See application file for complete search history.

(56) **References Cited**

U.S. PATENT DOCUMENTS

D574,738 S 8/2008 Khurana
D629,529 S * 12/2010 Russell, II D24/217

D740,223 S * 10/2015 Yoneta D13/108
D807,524 S 1/2018 Koh et al.
D815,536 S 4/2018 Liston
D839,583 S * 2/2019 Cao D3/201
D864,110 S * 10/2019 Yoshimura D13/108
D873,217 S * 1/2020 Zhang D13/108
D882,262 S * 4/2020 Zhang D3/294
D886,455 S * 6/2020 Williamson D3/294
2013/0063922 A1 * 3/2013 La Porte A61L 2/10
361/807

* cited by examiner

Primary Examiner — Anhdao Doan

(74) *Attorney, Agent, or Firm* — ScienBiziP, P.C.

(57) **CLAIM**

The ornamental design for a rechargeable box for UVC
disinfection, as shown and described.

DESCRIPTION

FIG. 1 is a back and top perspective view of a rechargeable
box for UVC disinfection, showing my design.

FIG. 2 is a front and bottom perspective view thereof.

FIG. 3 is a front elevation view thereof.

FIG. 4 is a rear elevation view thereof.

FIG. 5 is a left side elevation view thereof.

FIG. 6 is a right side elevation view thereof.

FIG. 7 is a top plan view thereof.

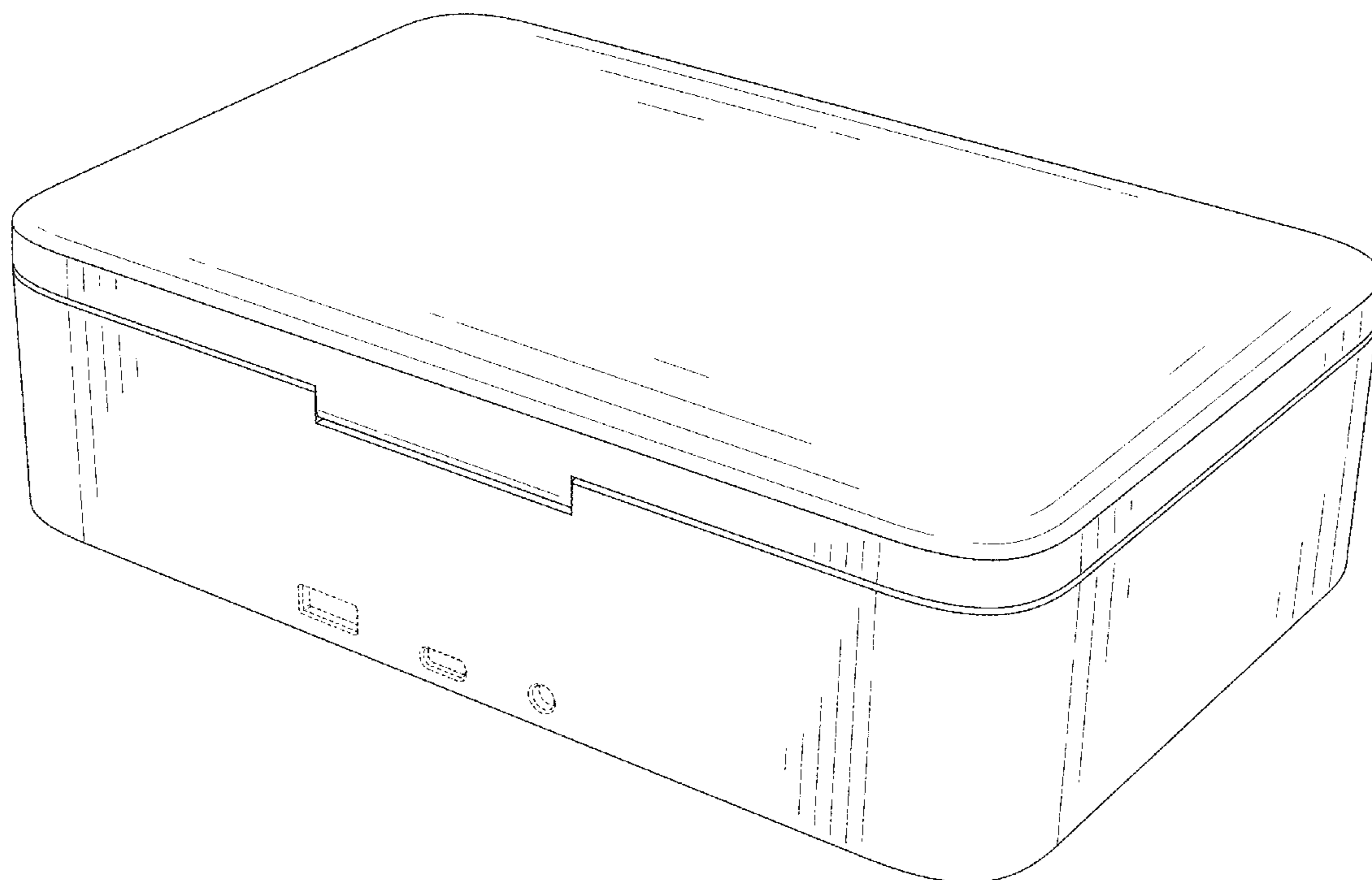
FIG. 8 is a bottom plan view thereof.

FIG. 9 is a perspective view of the rechargeable box for
UVC disinfection with the lid open; and,

FIG. 10 is an enlarged view of an area labeled 10 in FIG. 2.

The broken lines depict portions of the rechargeable box for
UVC disinfection that form no part of the claimed design;
the broken lines form no part of the claimed design.

1 Claim, 10 Drawing Sheets



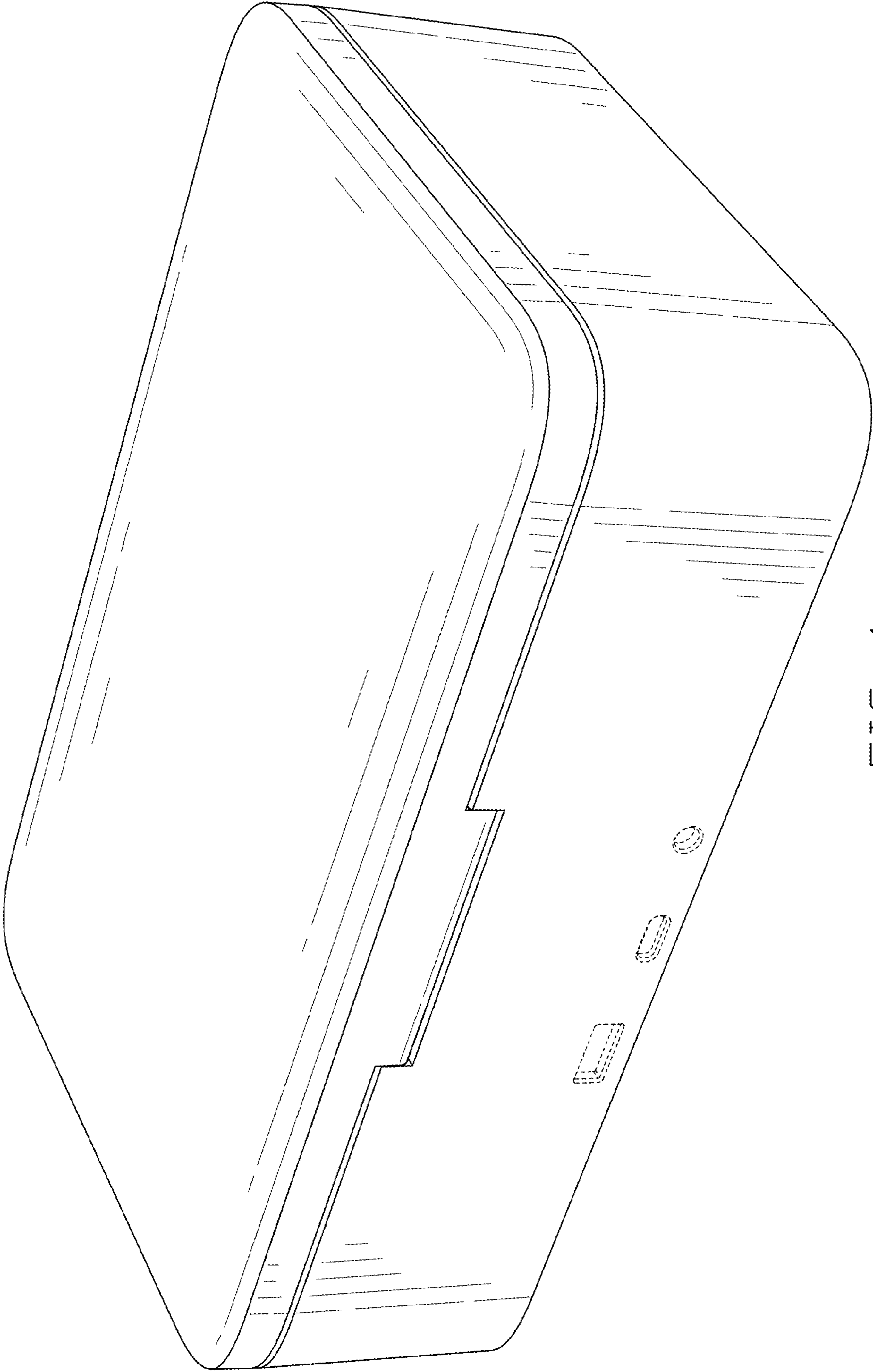


FIG. 1

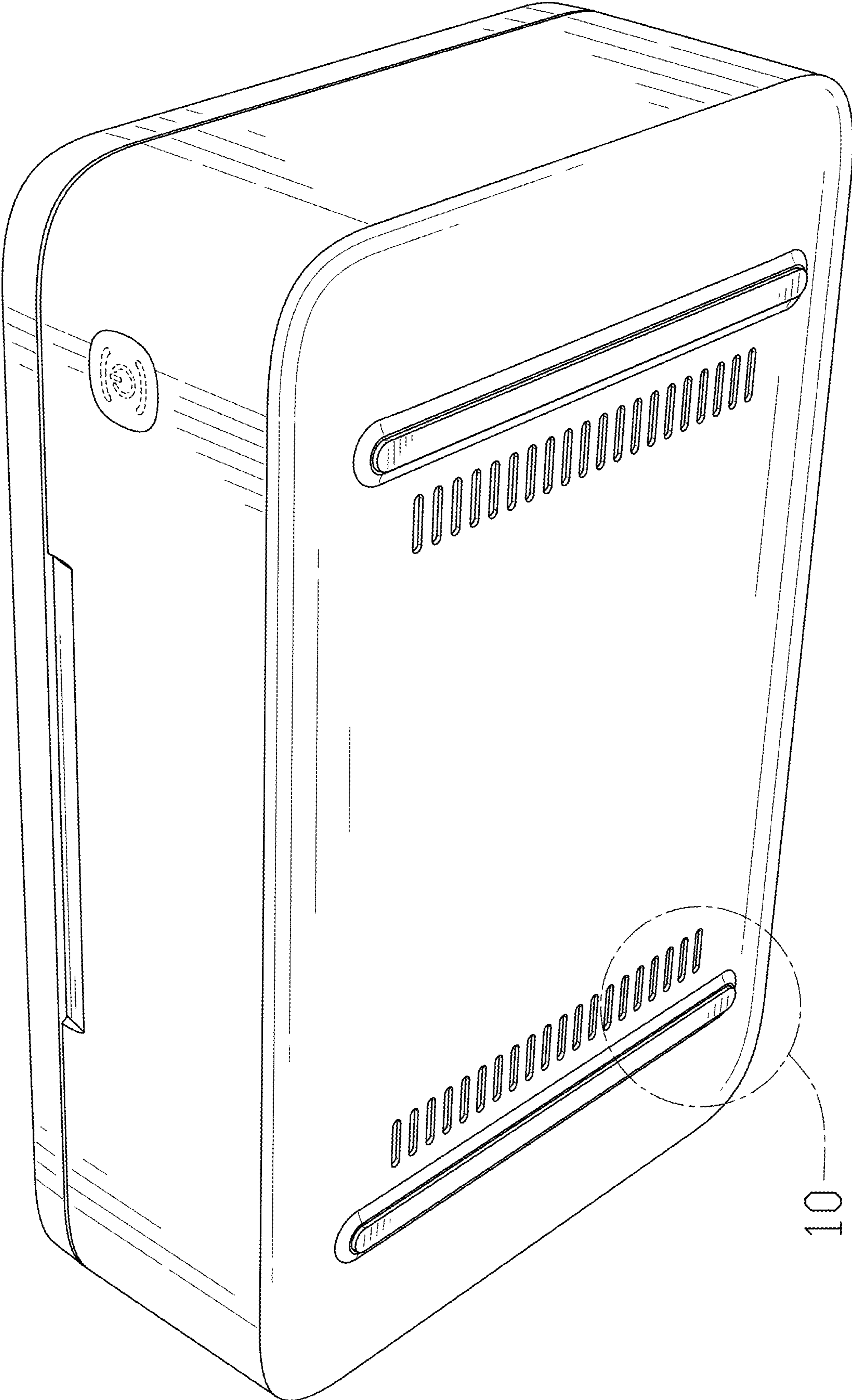


FIG. 2

10

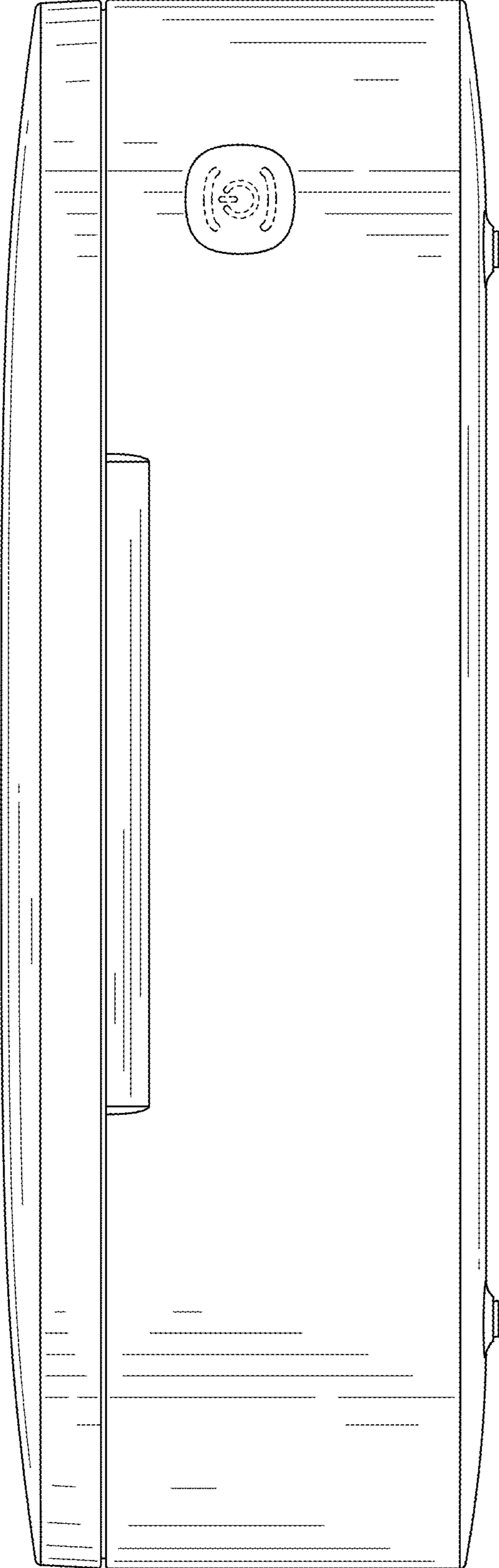


FIG. 3

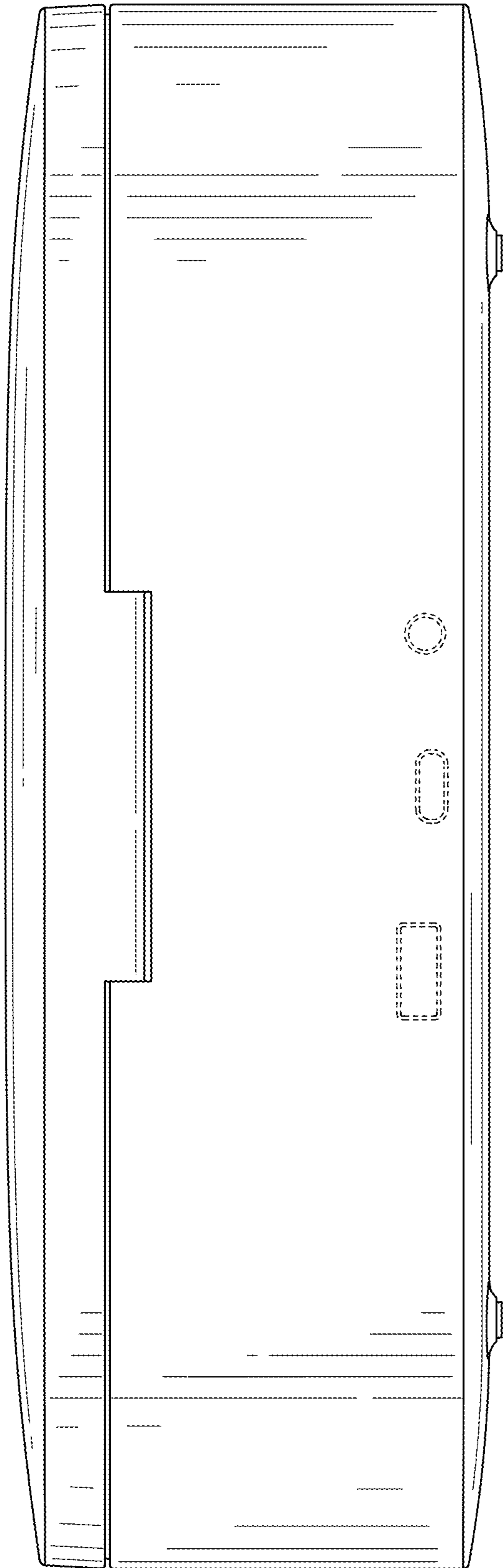


FIG. 4

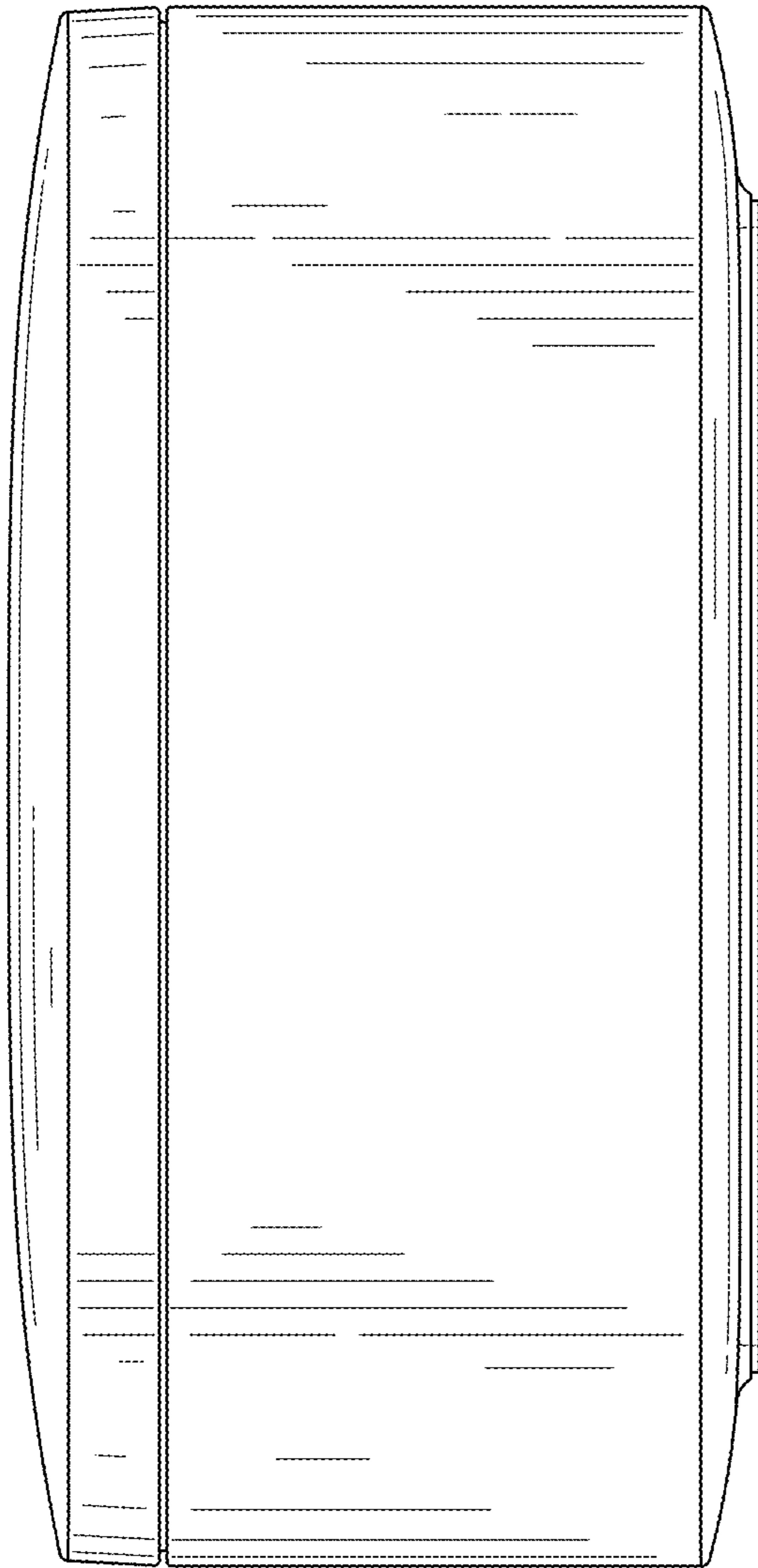


FIG. 5

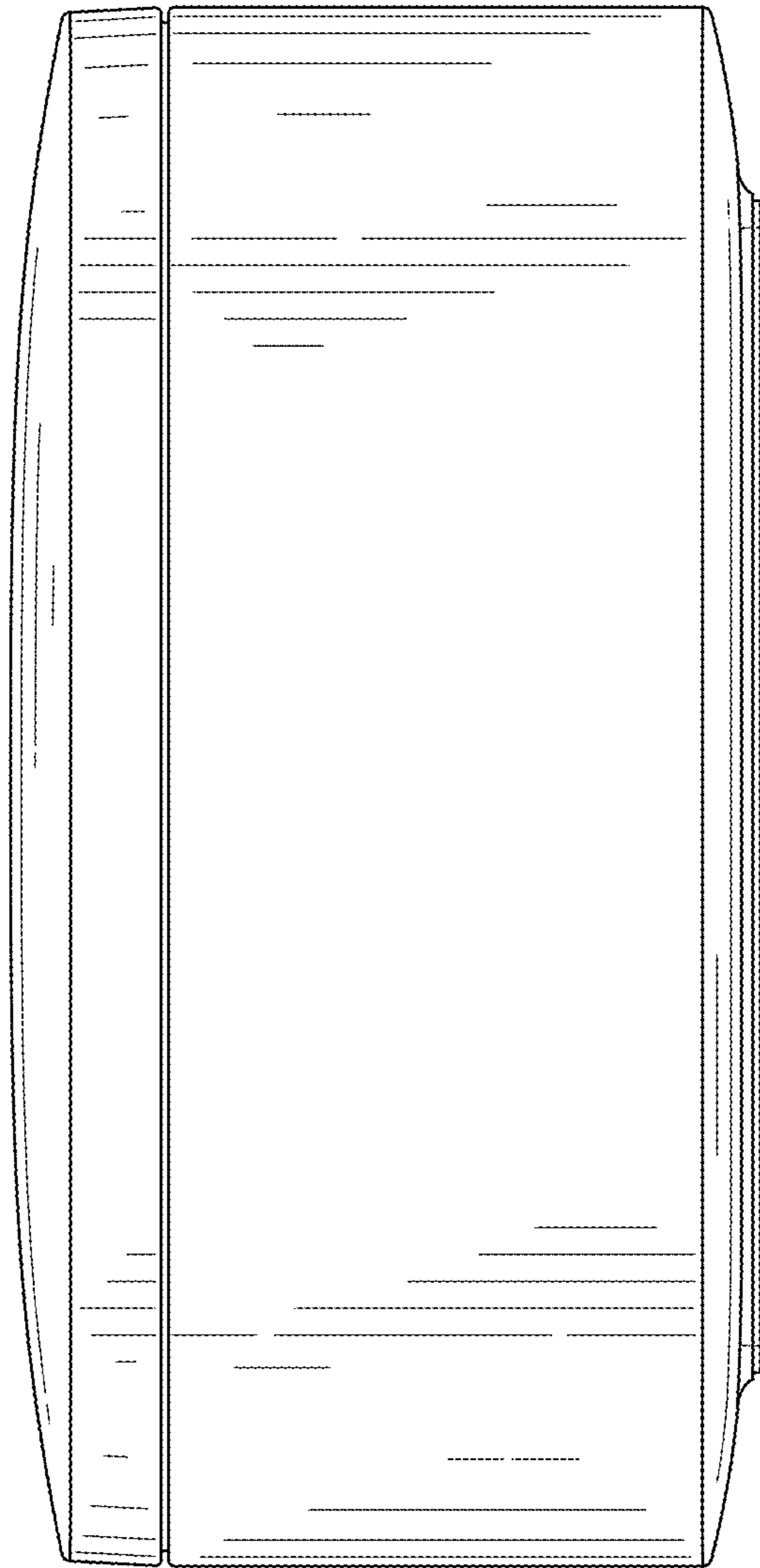


FIG. 6

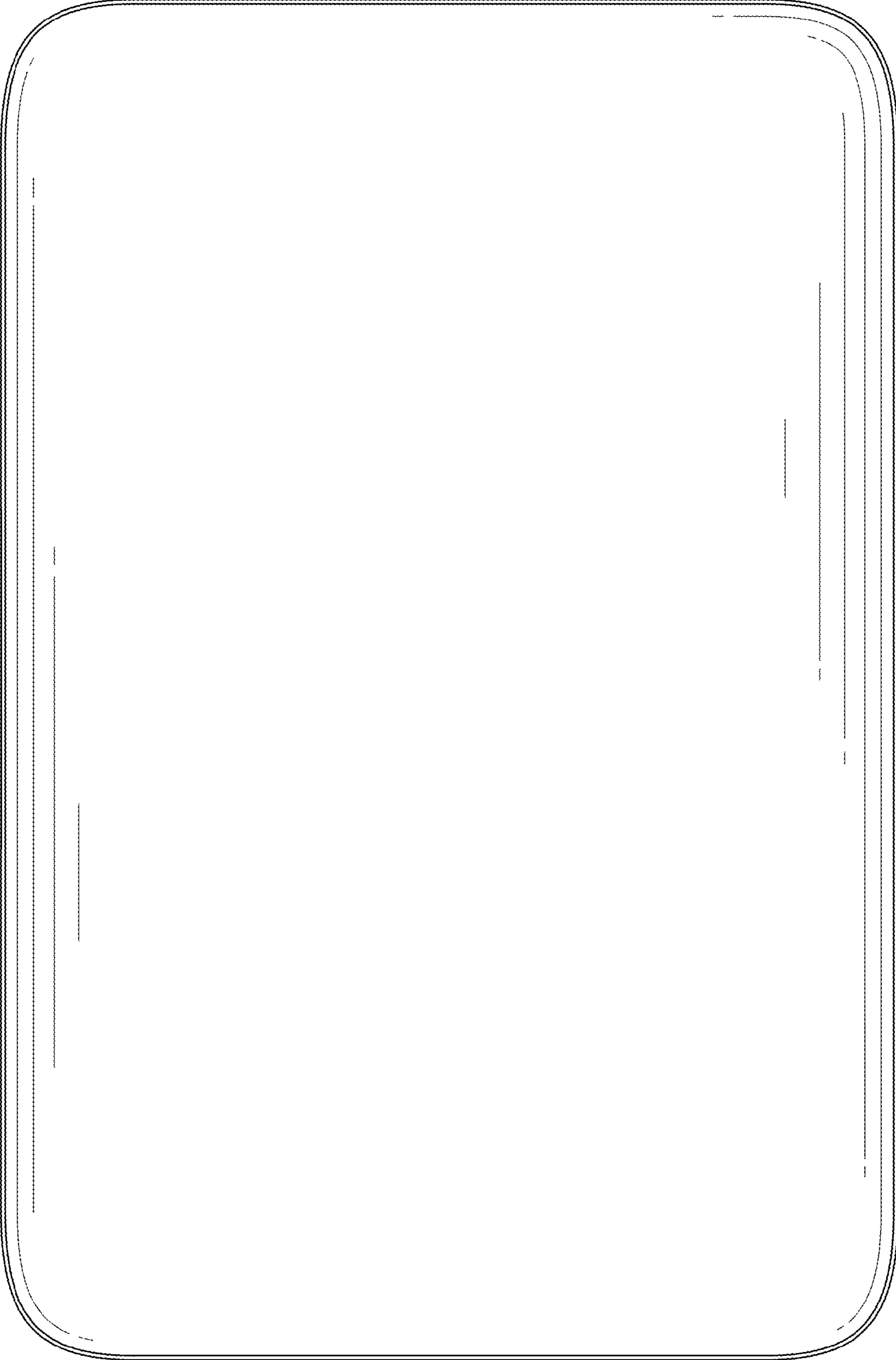


FIG. 7

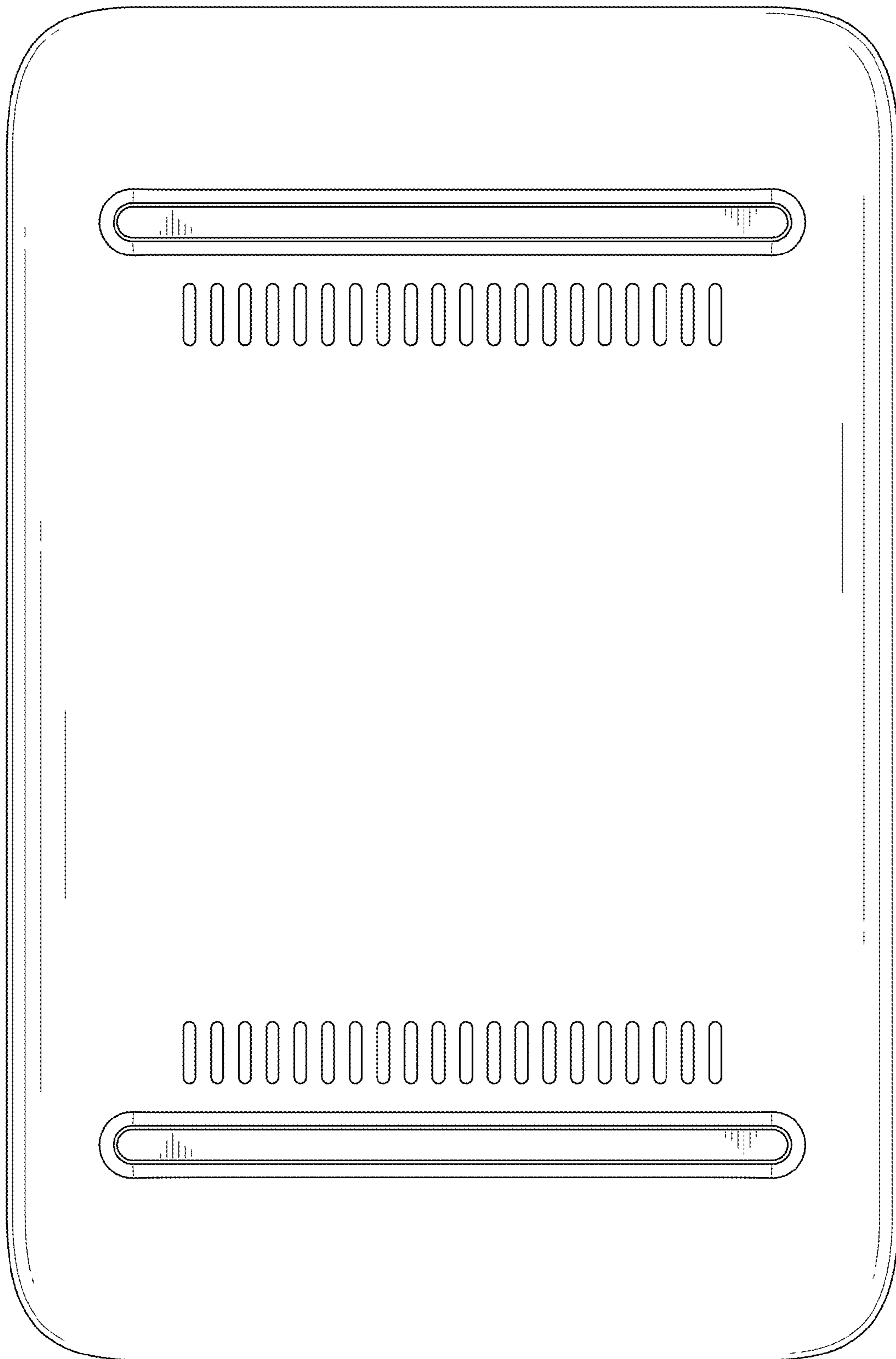


FIG. 8

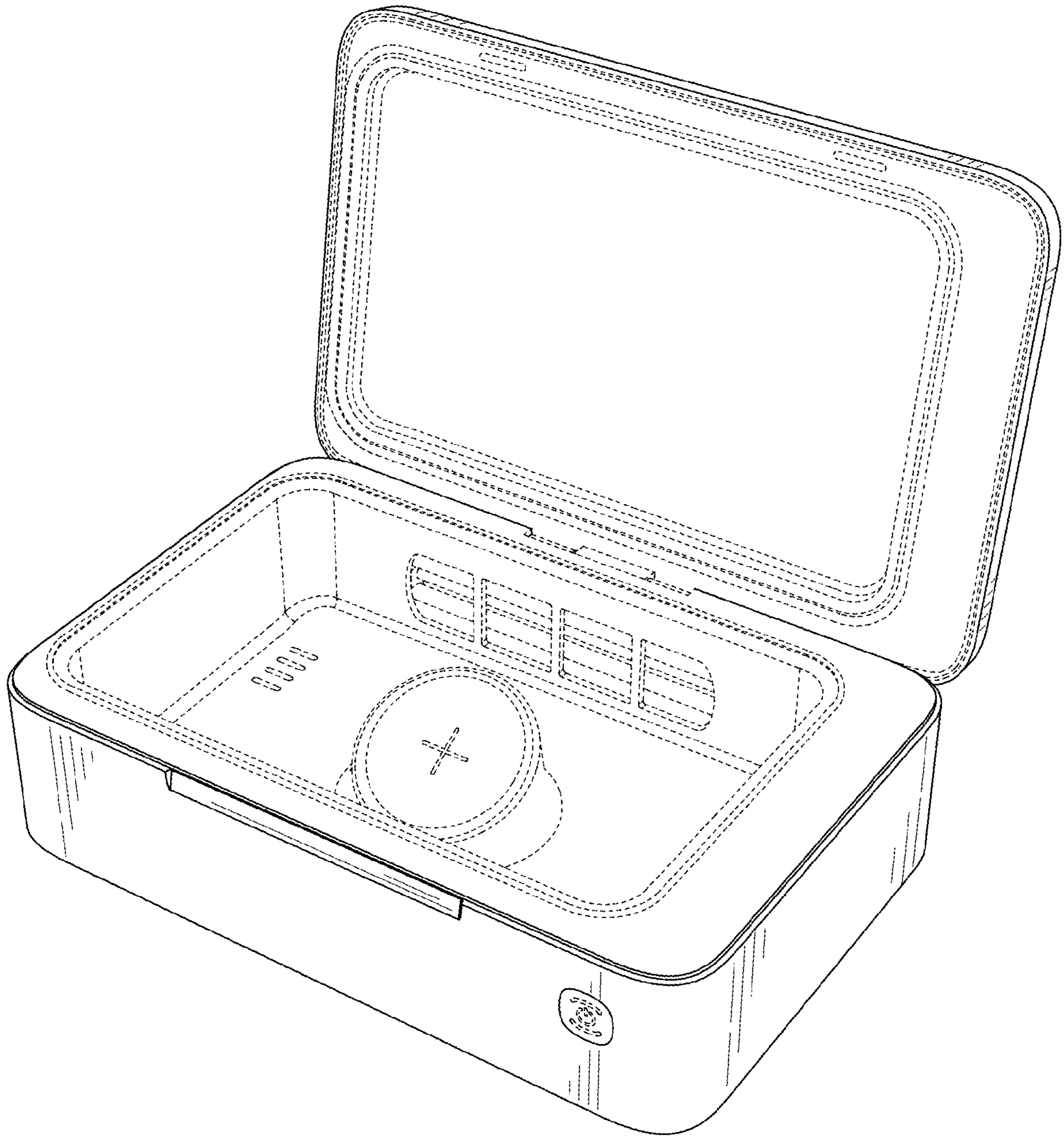


FIG. 9

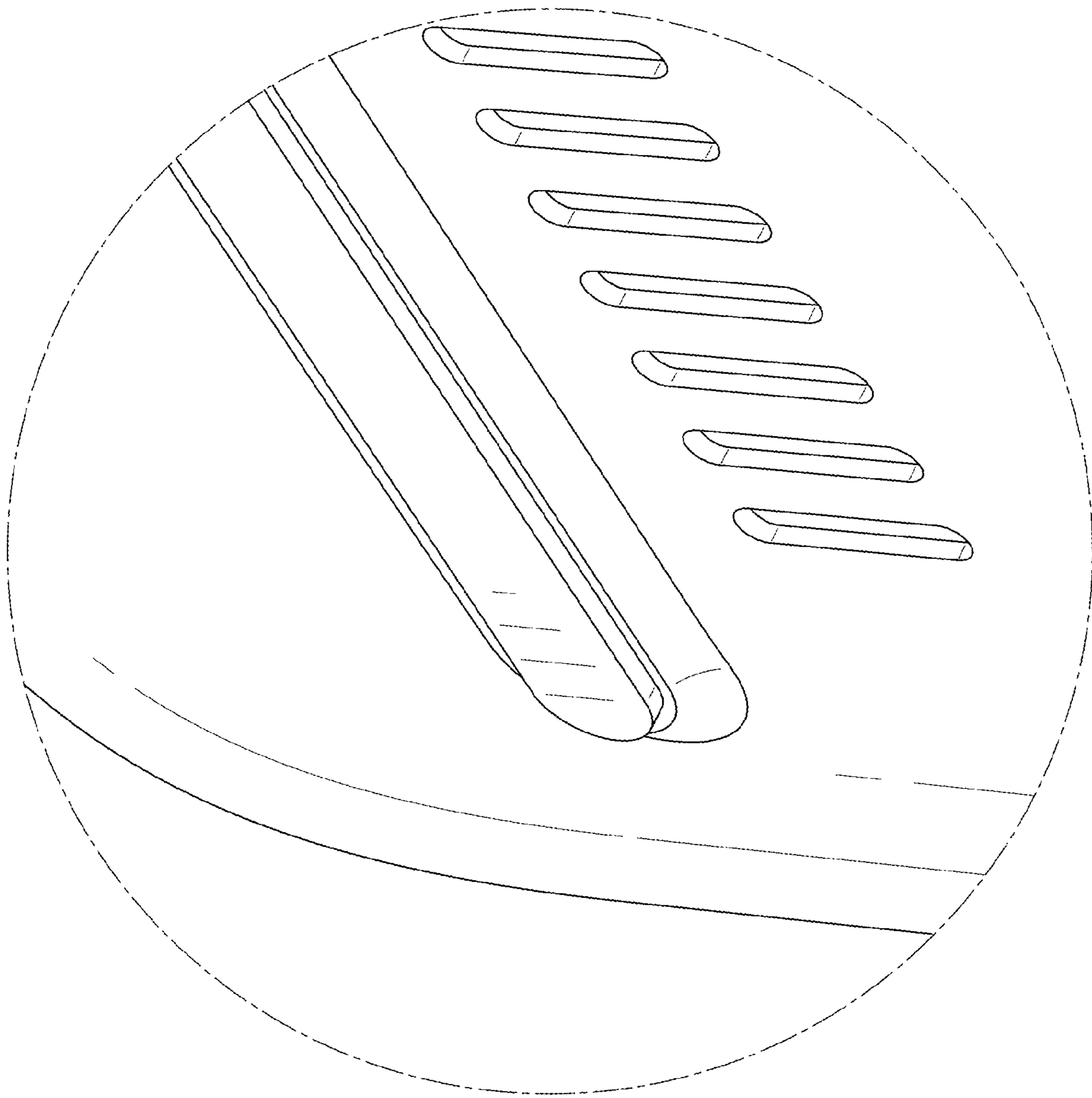


FIG. 10