



US00D900332S

(12) **United States Design Patent**
Zheng

(10) **Patent No.:** **US D900,332 S**

(45) **Date of Patent:** **** Oct. 27, 2020**

(54) **STERILIZATION DEVICE**

(71) Applicant: **Shenzhen Ai Ke Lin Environmental Technology Co., Ltd**, Luohu Dist, Shenzhen (CN)

(72) Inventor: **Zhonghui Zheng**, Shenzhen (CN)

(**) Term: **15 Years**

(21) Appl. No.: **29/730,612**

(22) Filed: **Apr. 7, 2020**

(51) **LOC (12) Cl.** **24-01**

(52) **U.S. Cl.**
USPC **D24/217**

(58) **Field of Classification Search**
USPC D24/216, 217, 218, 219, 232; D32/1, 25; D11/95
CPC A61L 2/26; A61L 2/24; A61L 2/17; A61L 2/18; A61L 2/025; A61L 2202/122; A61L 2202/10; A61L 2202/11; A61L 2202/14; A61L 2202/23; A61L 2202/24; A61L 2202/182

See application file for complete search history.

(56) **References Cited**

U.S. PATENT DOCUMENTS

D256,391 S * 8/1980 Thomas D24/218
D256,392 S * 8/1980 Thomas D24/218

D598,123 S * 8/2009 Steinhobel D24/217
D601,265 S * 9/2009 Lin D24/217
D687,160 S 7/2013 Crawford
D809,152 S * 1/2018 Chan D24/217
D846,142 S * 4/2019 Yellen D24/217
D883,511 S * 5/2020 Li D24/217

* cited by examiner

Primary Examiner — Anhdao Doan

(74) *Attorney, Agent, or Firm* — ZanIP

(57) **CLAIM**

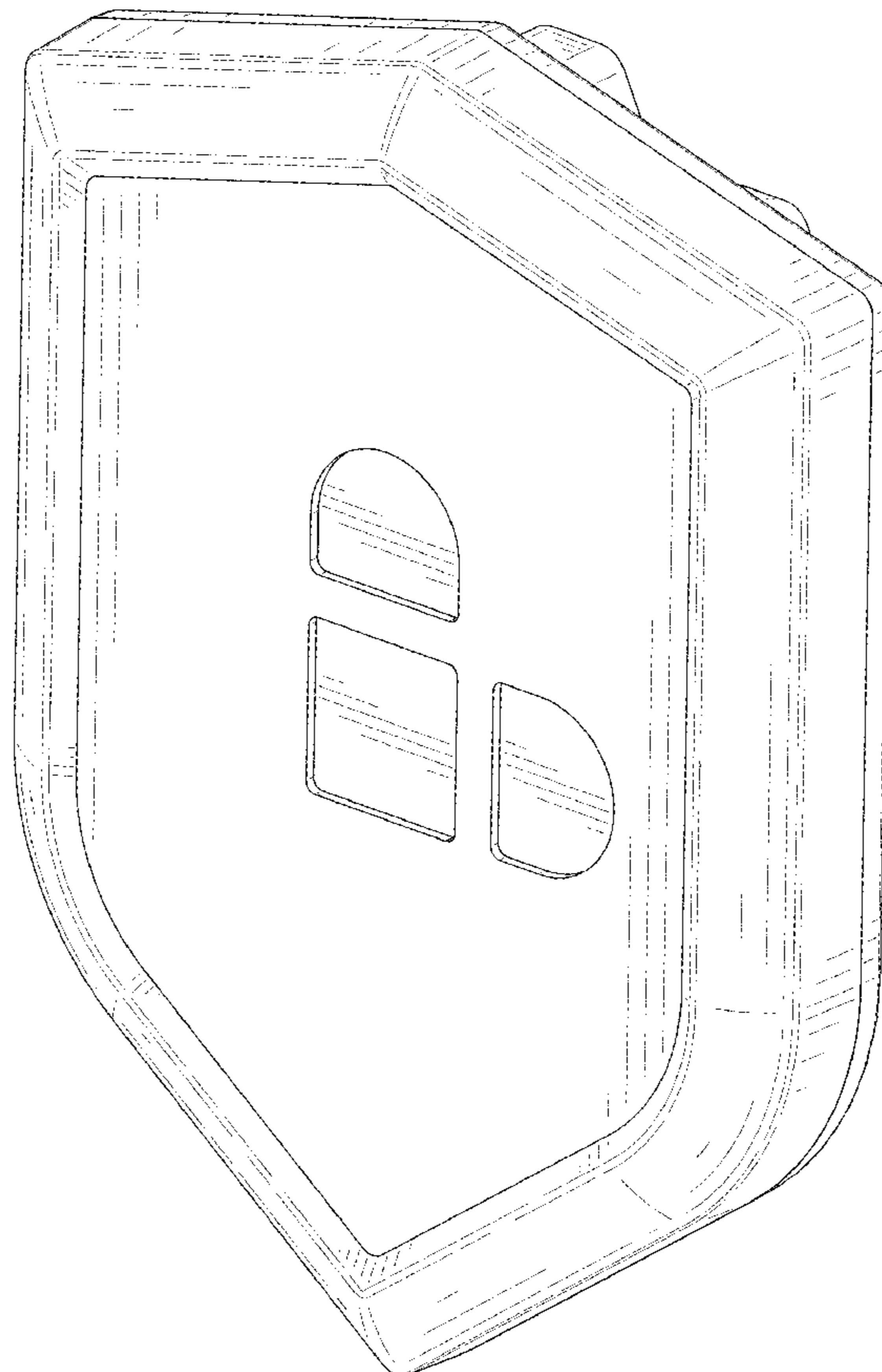
The ornamental design for a sterilization device, as shown and described.

DESCRIPTION

FIG. 1 is a front and top perspective view of a sterilization device, showing my new design;
FIG. 2 is a rear and bottom perspective view thereof;
FIG. 3 is a front elevational view thereof;
FIG. 4 is a rear elevational view thereof;
FIG. 5 is a left side elevational view thereof;
FIG. 6 is a right side elevational view thereof;
FIG. 7 is a top plan view thereof; and,
FIG. 8 is a bottom plan view thereof.

The broken lines in the figures illustrate portions of the sterilization device that form no part of the claimed design.

1 Claim, 8 Drawing Sheets



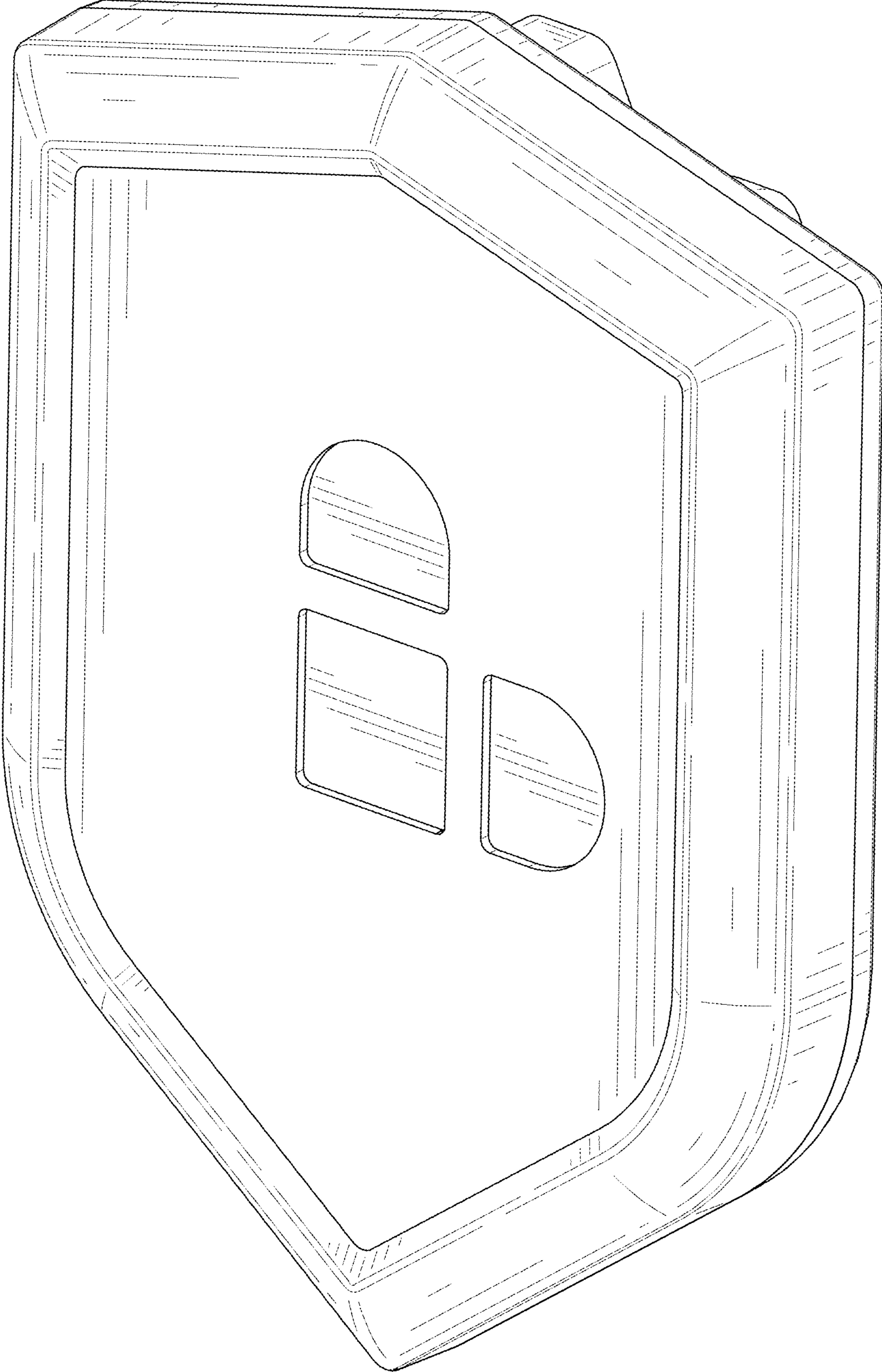


FIG. 1

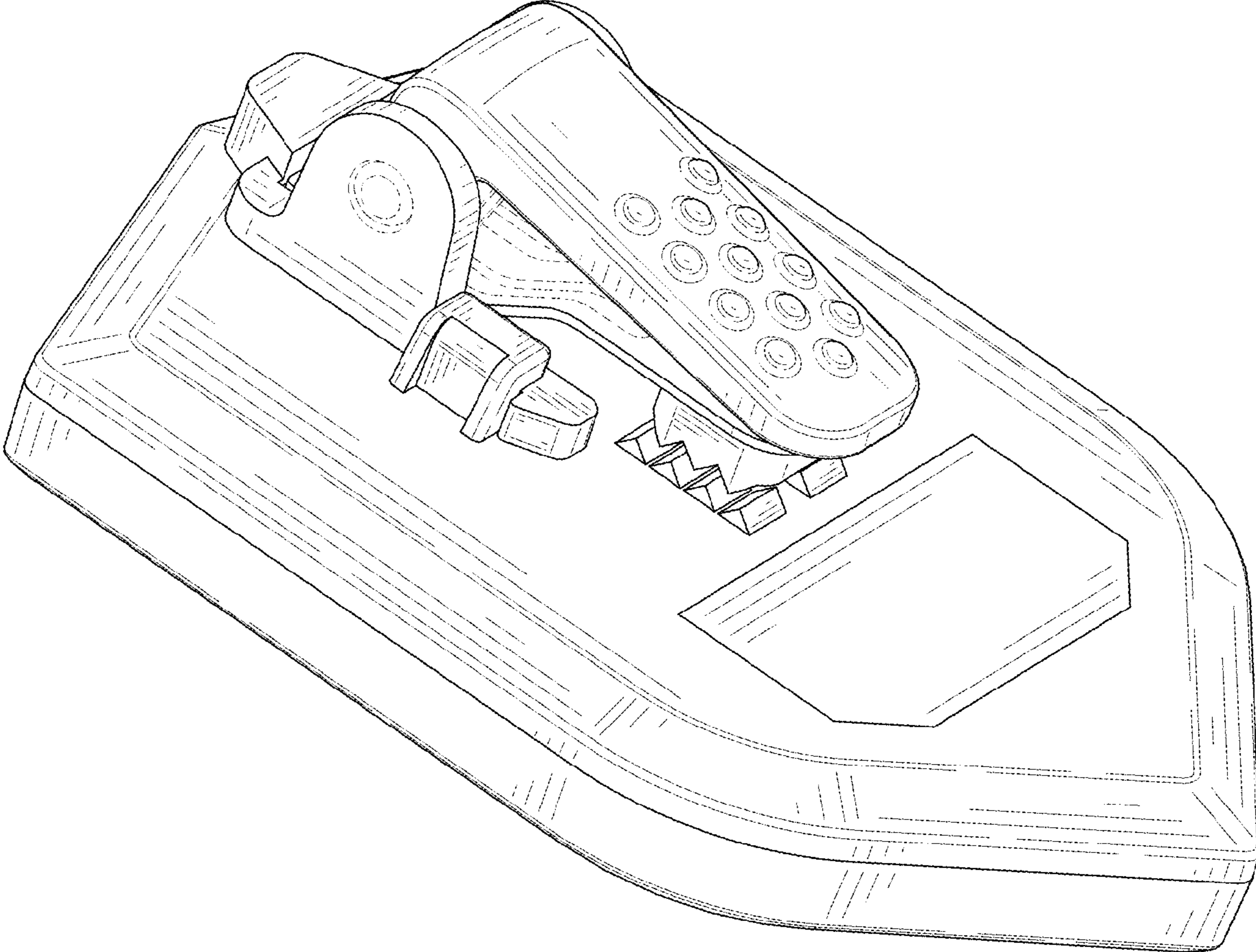


FIG. 2

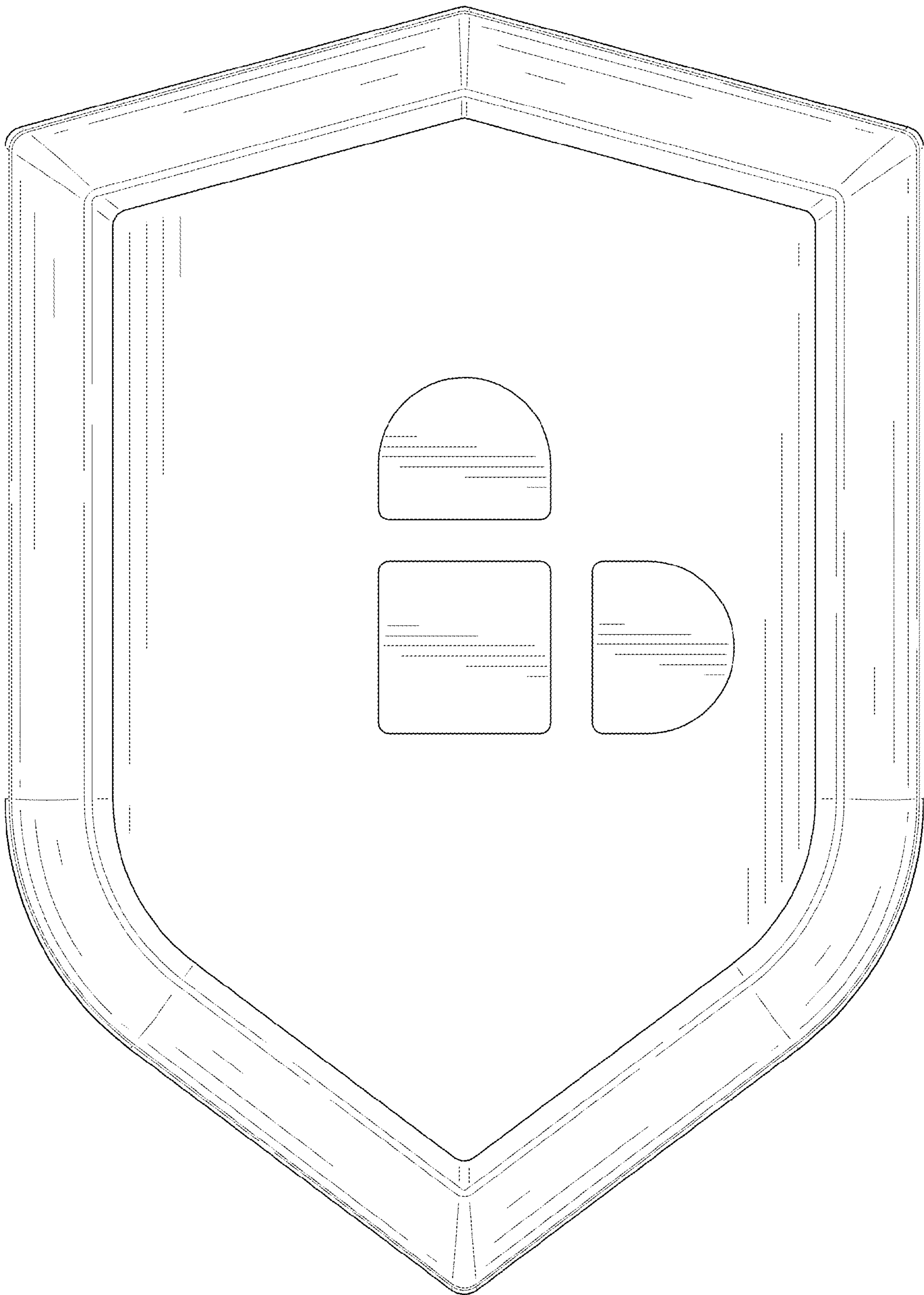


FIG. 3

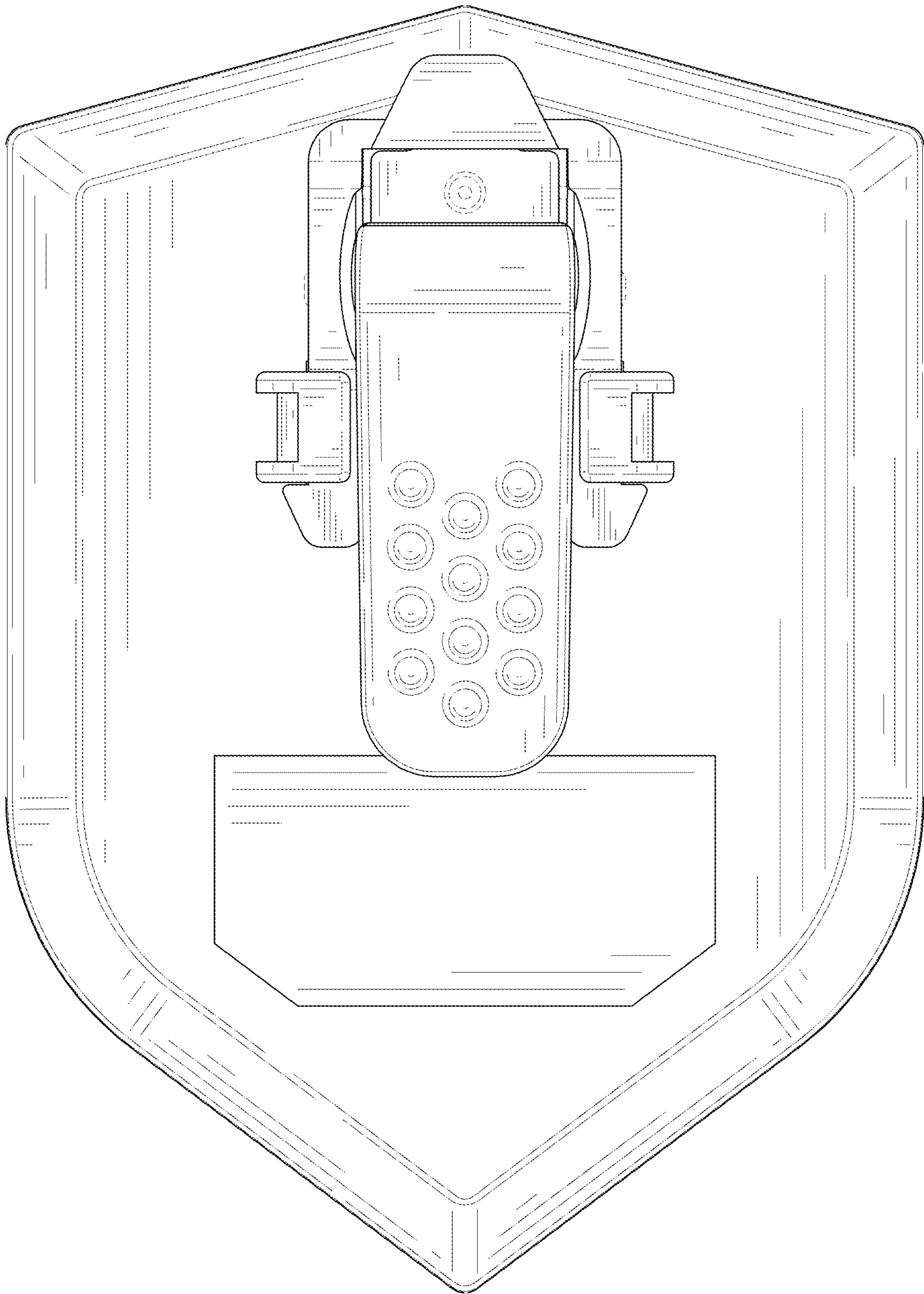


FIG. 4

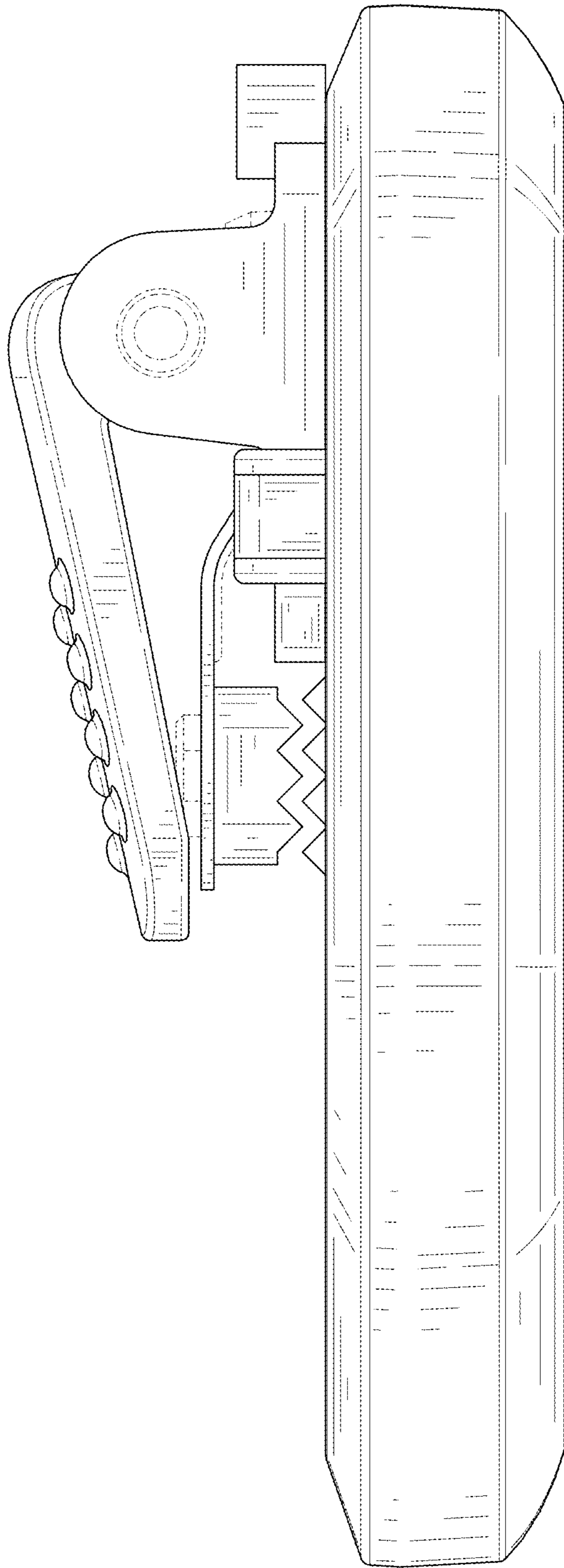


FIG. 5

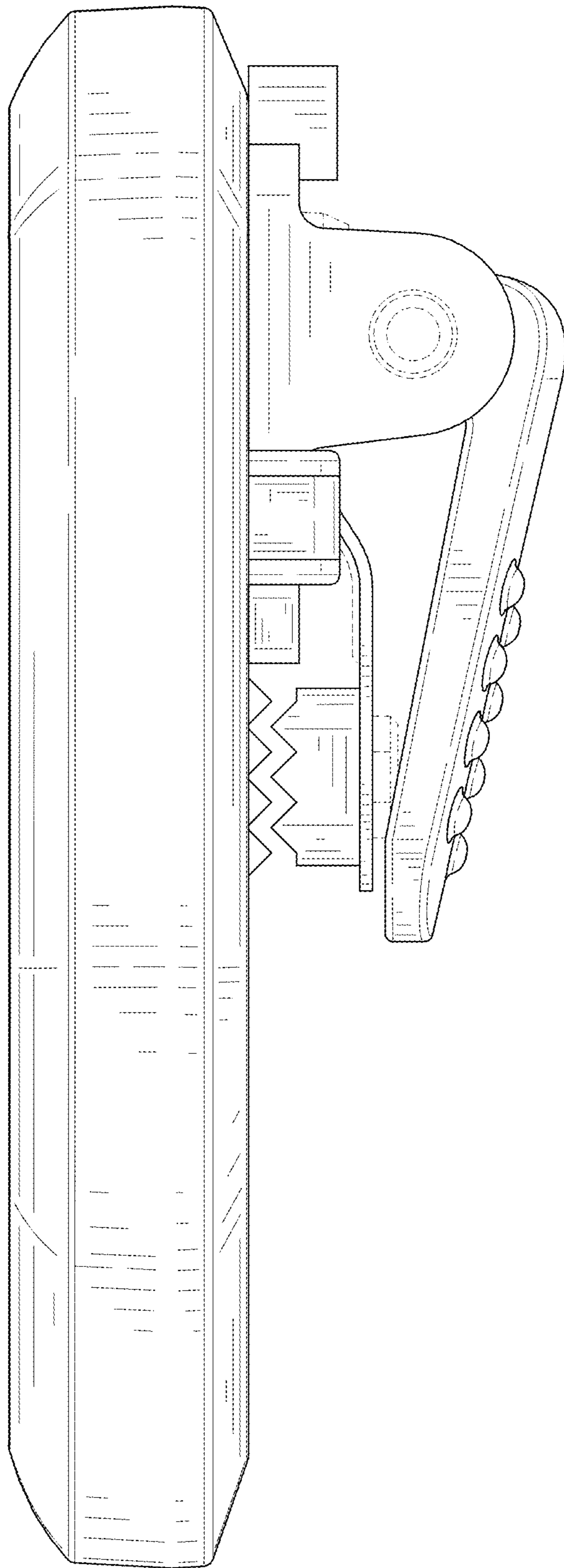


FIG. 6

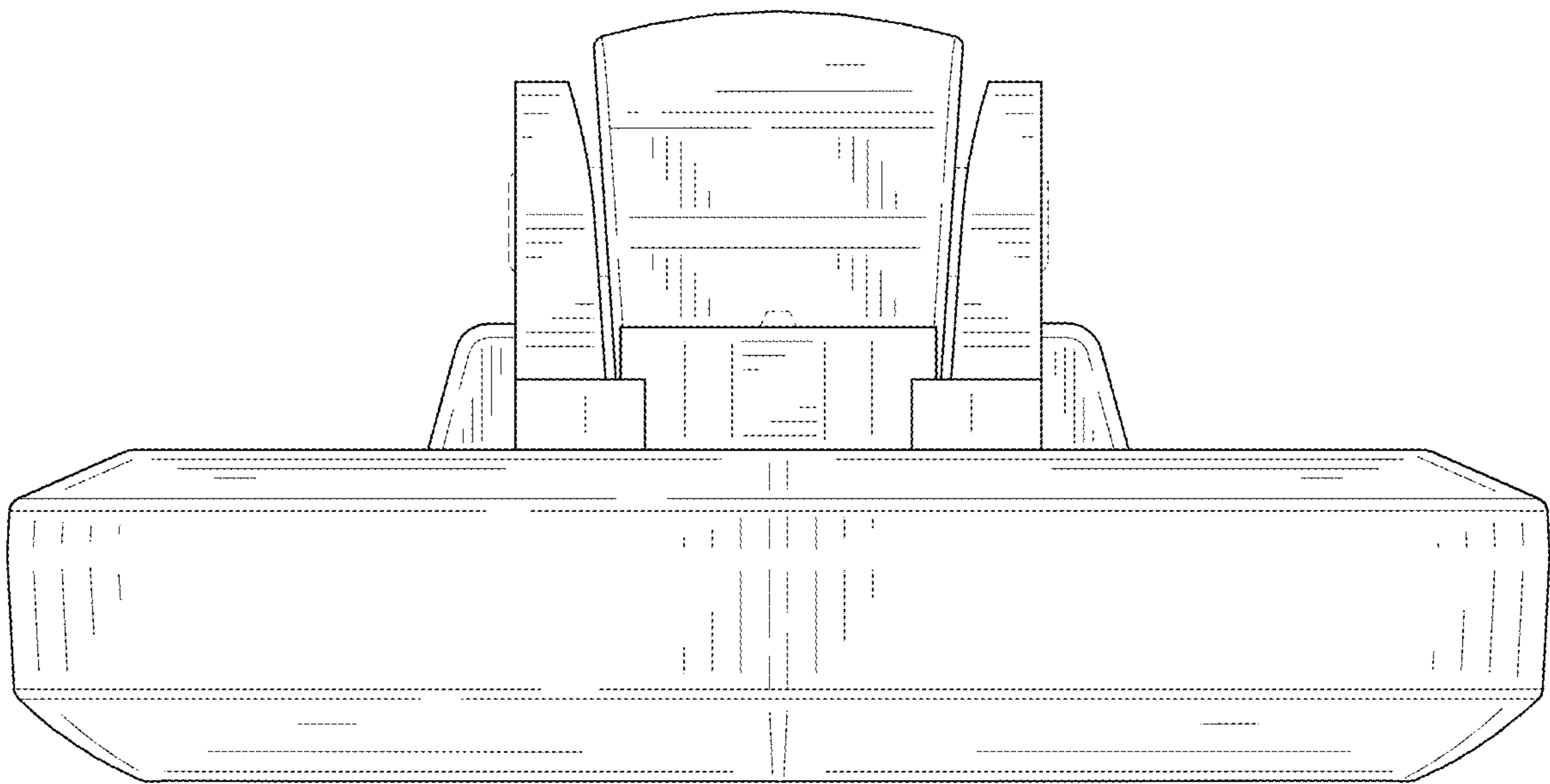


FIG. 7

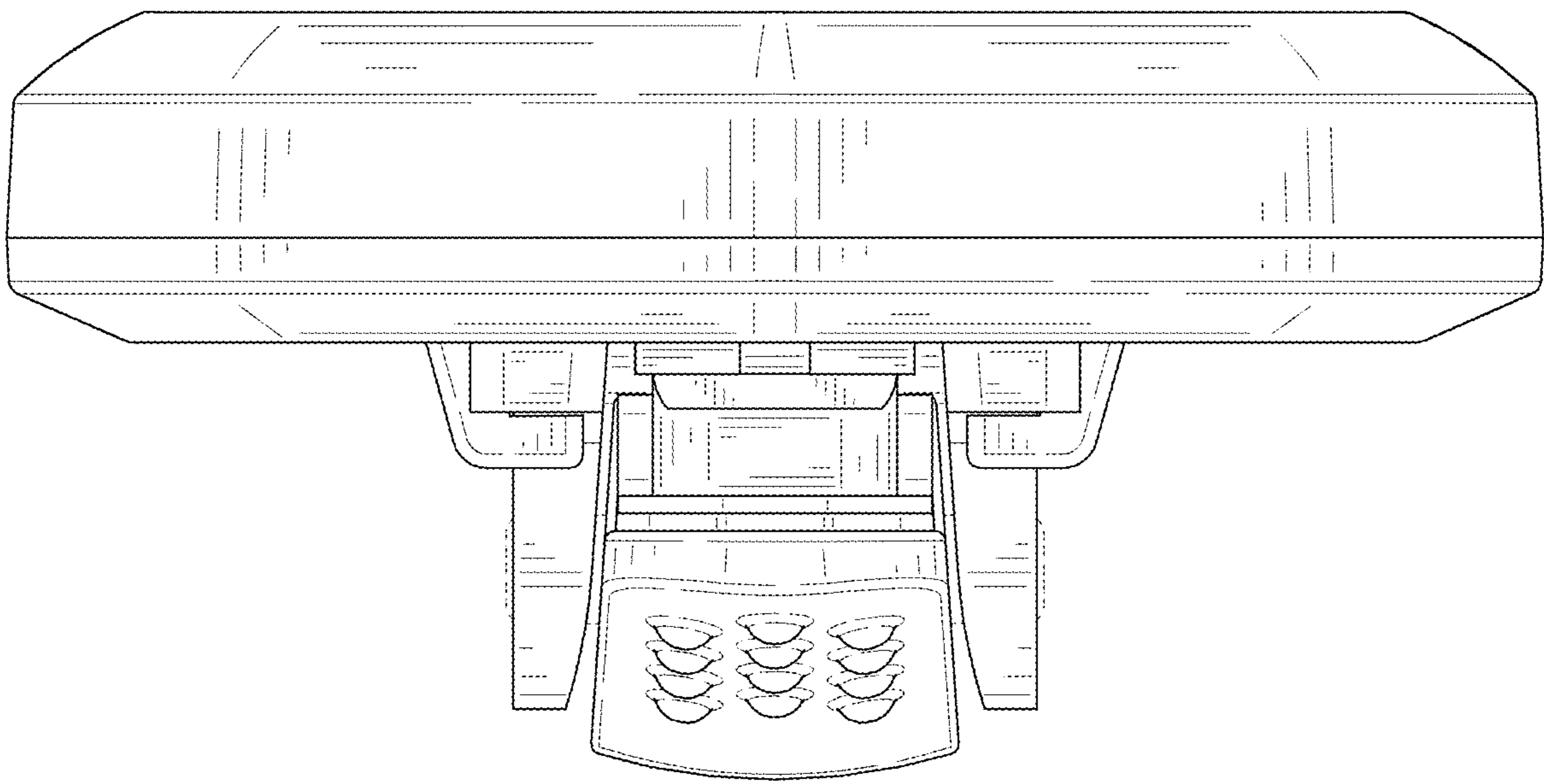


FIG. 8