



US00D900329S

(12) **United States Design Patent** (10) **Patent No.:** **US D900,329 S**
Xu (45) **Date of Patent:** **** Oct. 27, 2020**

(54) **MASSAGER**

(71) Applicant: **YONG KANG AIJIU INDUSTRIAL & TRADE CO., LTD**, Yongkang (CN)

(72) Inventor: **Lijun Xu**, Yongkang (CN)

(73) Assignee: **YONG KANG AIJIU INDUSTRIAL & TRADE CO., LTD**, Yongkang (CN)

(**) Term: **15 Years**

(21) Appl. No.: **29/737,389**

(22) Filed: **Jun. 9, 2020**

(30) **Foreign Application Priority Data**

May 29, 2020 (CN) 2020 3 0261449

(51) **LOC (12) Cl.** **28-03**

(52) **U.S. Cl.**
USPC **D24/215**

(58) **Field of Classification Search**
USPC D24/200, 211, 212, 213, 214, 215
CPC A61H 1/00; A61H 2201/0153; A61H 2201/1238; A61H 7/007
See application file for complete search history.

(56) **References Cited**

U.S. PATENT DOCUMENTS

D259,142 S *	5/1981	Lee	D21/713
D270,279 S *	8/1983	Hamilton	D24/211
D274,555 S *	7/1984	Shiu	D24/211
D298,775 S *	11/1988	Lee	D24/214
D323,034 S *	1/1992	Reinstein	D24/200
D333,351 S *	2/1993	Tsou	D24/206
D406,651 S *	3/1999	Miyake	D24/215
D407,498 S *	3/1999	Cooper	D24/214
D408,544 S *	4/1999	Kalat	D24/211
D408,545 S *	4/1999	Taylor	D24/211
D415,283 S *	10/1999	Moon	D24/214

D430,938 S *	9/2000	Lee	D24/214
D456,909 S *	5/2002	Szabo	D24/214
D457,643 S *	5/2002	Qi	D24/214
D478,385 S	8/2003	Dirks	
D538,435 S *	3/2007	Wang	D24/215
D548,354 S *	8/2007	Lai	D24/214
D548,355 S *	8/2007	Lai	D24/214
D656,621 S *	3/2012	Matsushita	D24/215
D666,304 S *	8/2012	Matsushita	D24/215
D669,998 S *	10/2012	Matsushita	D24/215
D719,664 S *	12/2014	Rifkin	D24/211
D770,635 S *	11/2016	Cole	D24/200
D831,835 S *	10/2018	Cole	D24/200
D844,799 S *	4/2019	Kim	D24/214
D845,496 S *	4/2019	Cole	D24/200
D847,364 S *	4/2019	Lee	D24/215
D848,090 S *	5/2019	Cunniff	D30/199
D852,971 S *	7/2019	Gan	D24/211
D857,907 S *	8/2019	Luo	D24/211
D858,786 S *	9/2019	Luo	D24/214

(Continued)

Primary Examiner — Cynthia Ramirez
Assistant Examiner — Michael A Maharajh

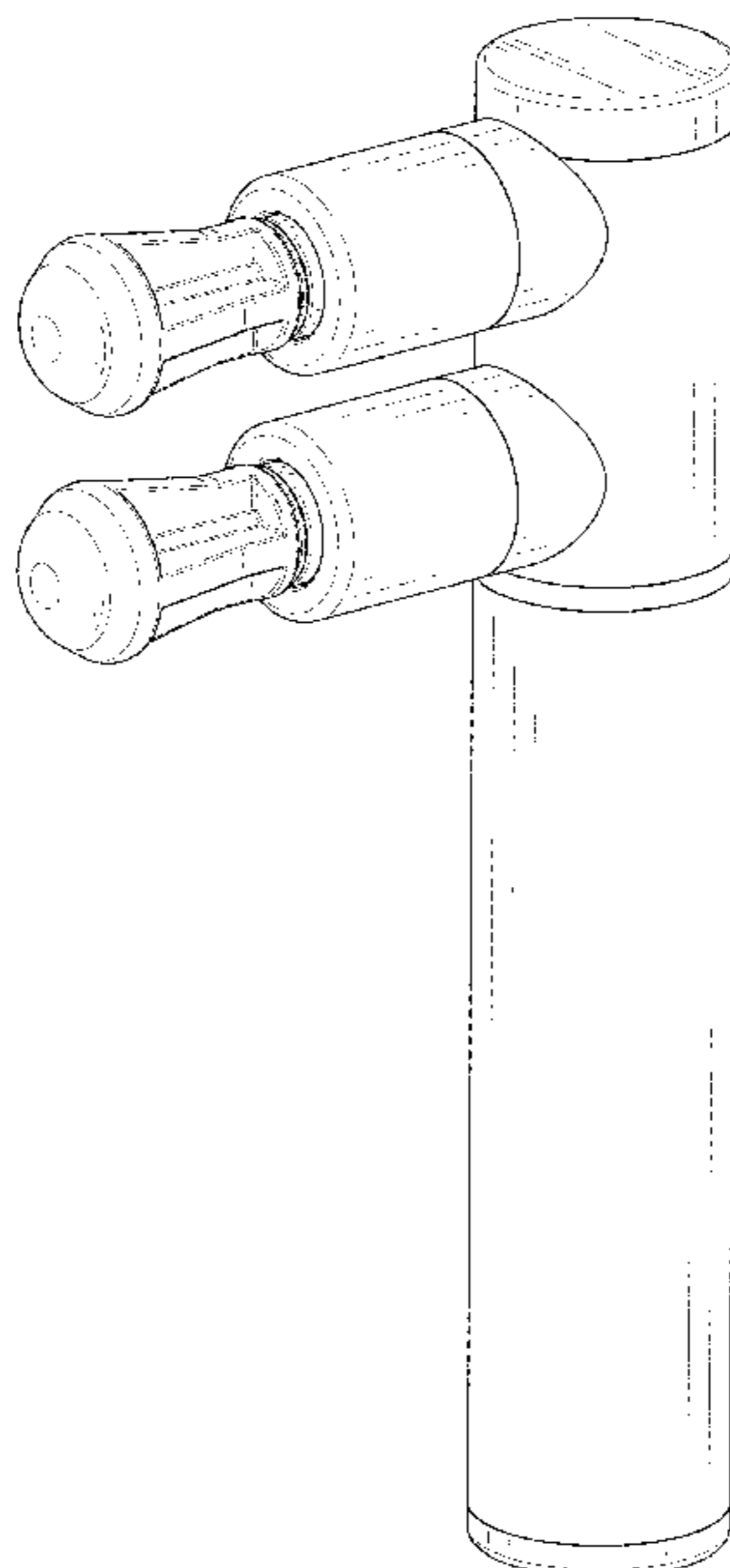
(57) **CLAIM**

The ornamental design for a massager, as shown and described.

DESCRIPTION

FIG. 1 is a perspective view of a massager showing my new design;
FIG. 2 is another perspective view thereof;
FIG. 3 is a front elevational view thereof;
FIG. 4 is a rear elevational view thereof;
FIG. 5 is a left side elevational view thereof;
FIG. 6 is a right side elevational view thereof;
FIG. 7 is a top plan view thereof; and,
FIG. 8 is a bottom plan view thereof.
The broken lines in the drawings depict portions of the massager that form no part of the claimed design.

1 Claim, 8 Drawing Sheets



(56)

References Cited

U.S. PATENT DOCUMENTS

D861,181	S	*	9/2019	Shen	D24/209
D865,192	S	*	10/2019	Nazarian	D24/200
D865,207	S	*	10/2019	Matsushita	D24/211
D866,789	S	*	11/2019	Yamazaki	D24/215
D866,790	S	*	11/2019	Lee	D24/215
D868,277	S	*	11/2019	Yamazaki	D24/211
D872,294	S	*	1/2020	Yu	D24/214
D873,432	S		1/2020	Duan		
D884,205	S	*	5/2020	Zhuang	D24/215
D887,572	S	*	6/2020	Matsushita	D24/211
D887,573	S	*	6/2020	Wersland	D24/215
D888,264	S	*	6/2020	Sherrill	D24/215
D890,353	S	*	7/2020	Nazarian	D24/200
D895,132	S	*	9/2020	Hu	D24/215
D895,825	S	*	9/2020	Jin	D24/214
D895,829	S	*	9/2020	Hu	D24/215
2019/0021941	A1	*	1/2019	Jeong	A61H 15/0092
2020/0179220	A1	*	6/2020	Jablow	A61H 9/0057
2020/0261306	A1	*	8/2020	Pepe	A61H 23/006
2020/0268601	A1	*	8/2020	Antros	A61H 31/02

* cited by examiner

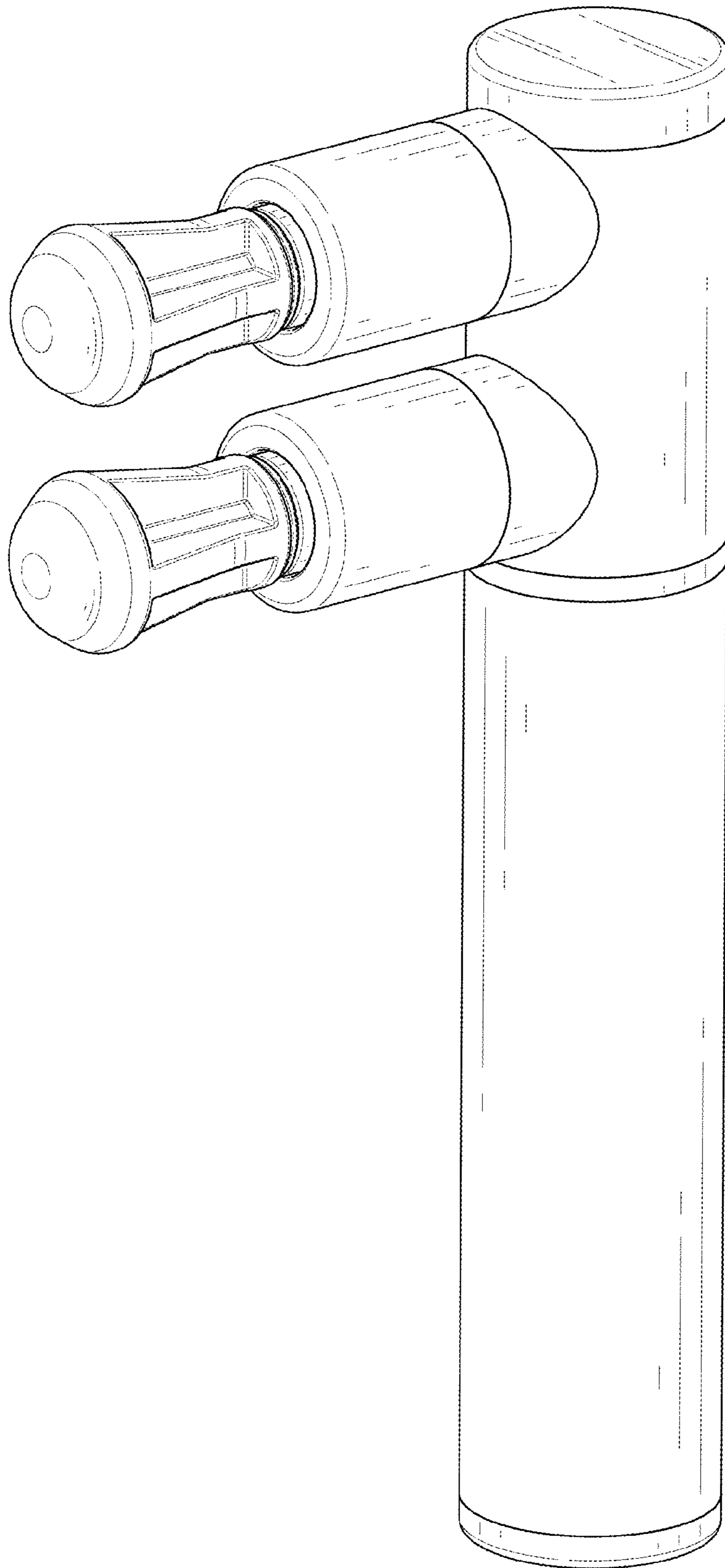


FIG. 1

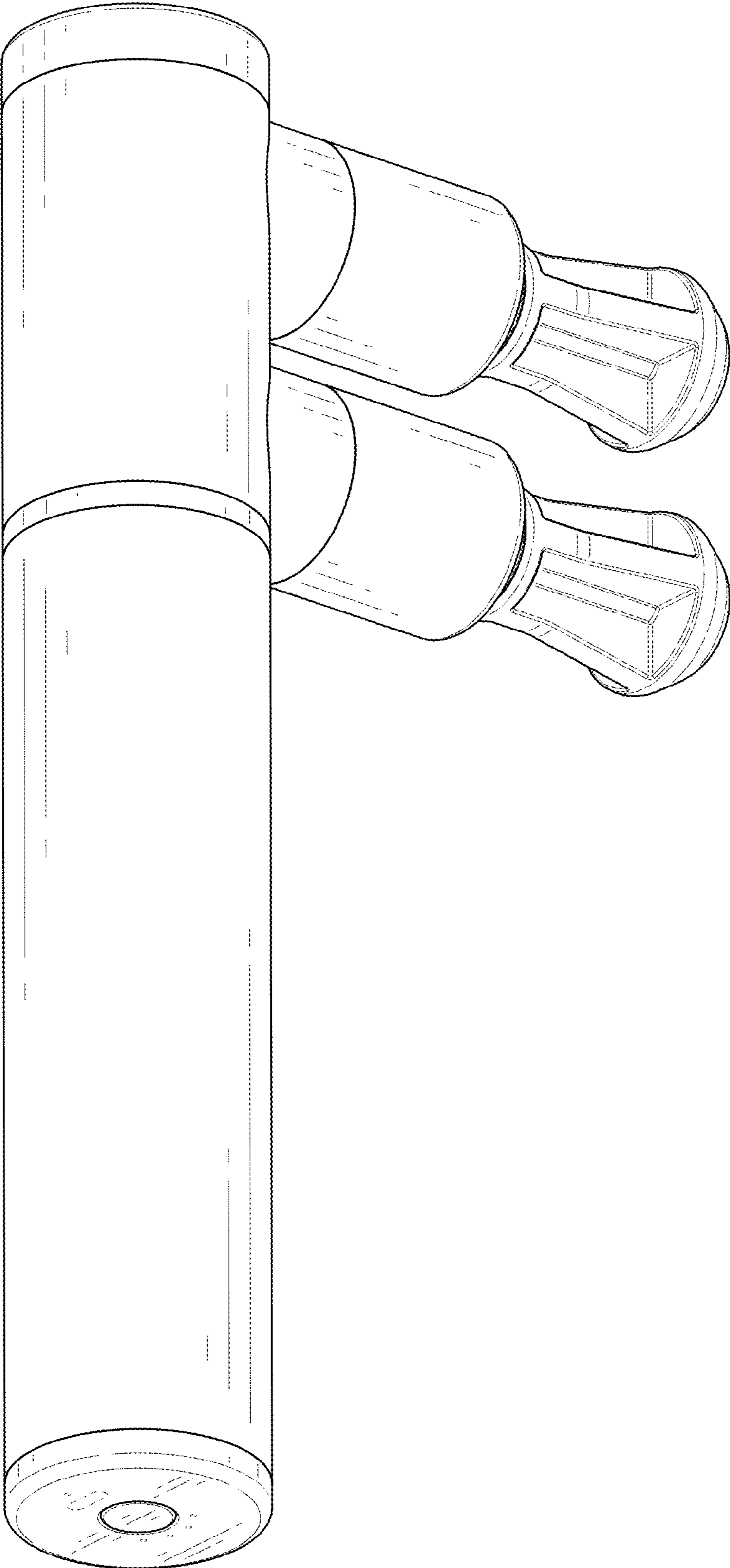


FIG. 2

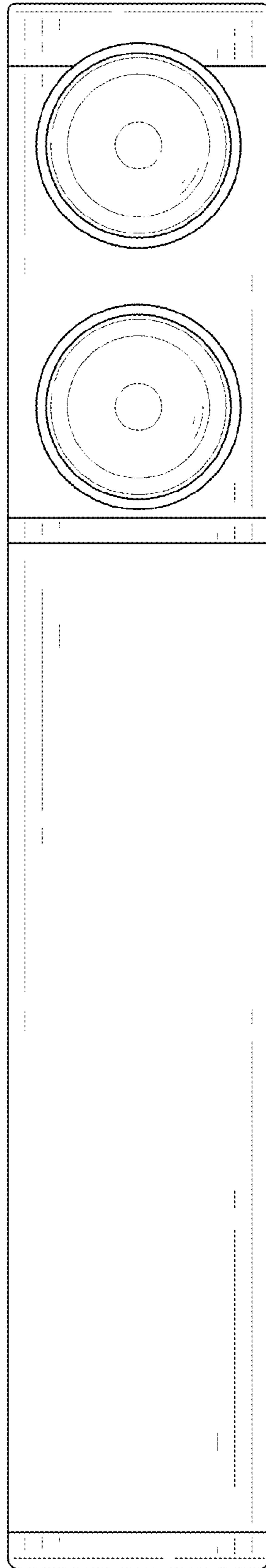


FIG. 3

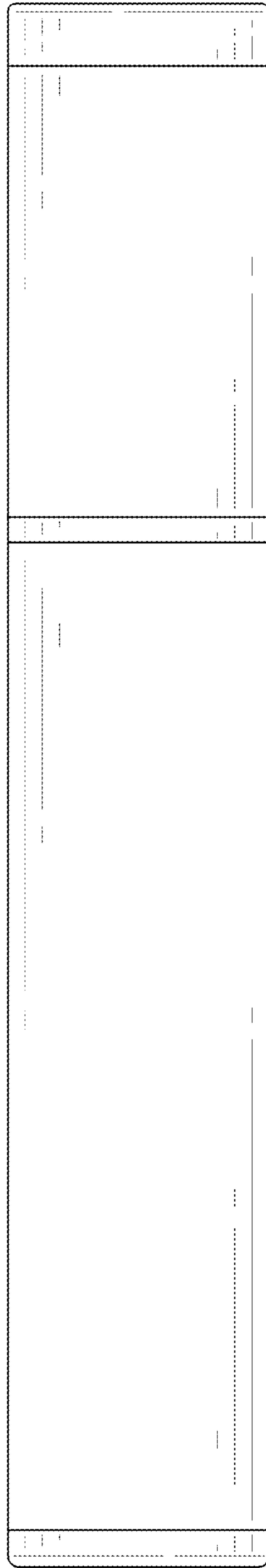


FIG. 4

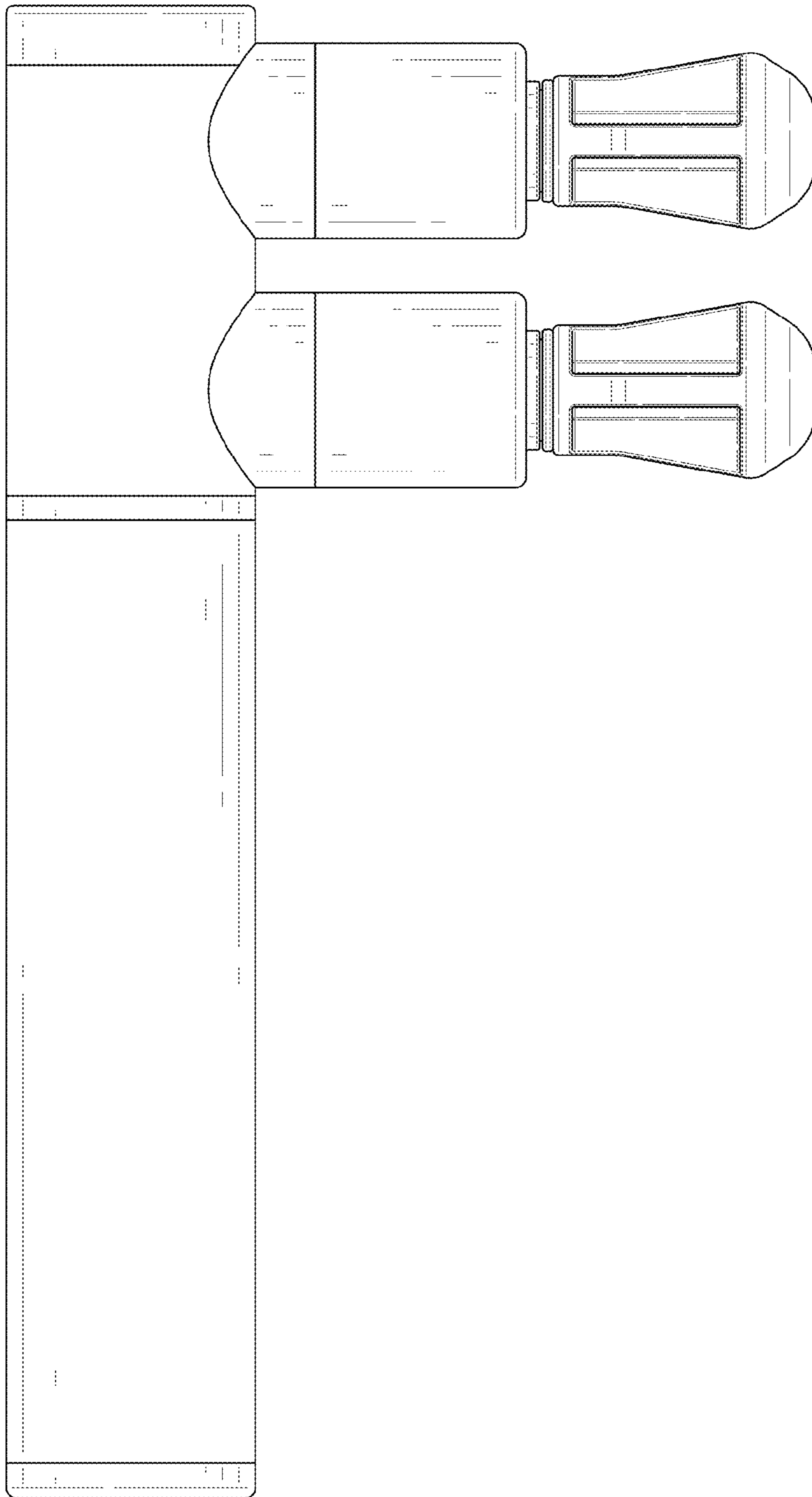


FIG. 5

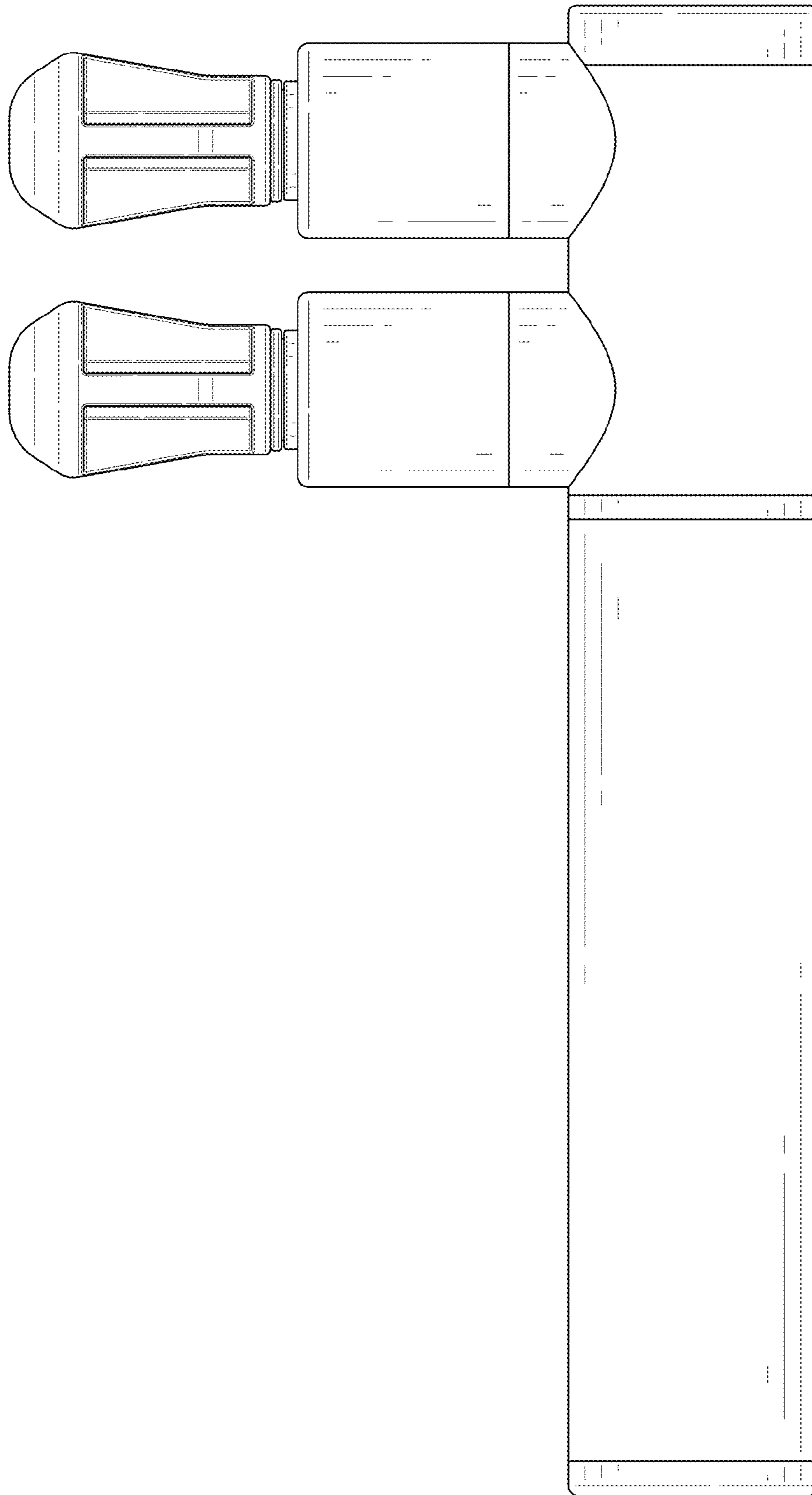


FIG. 6

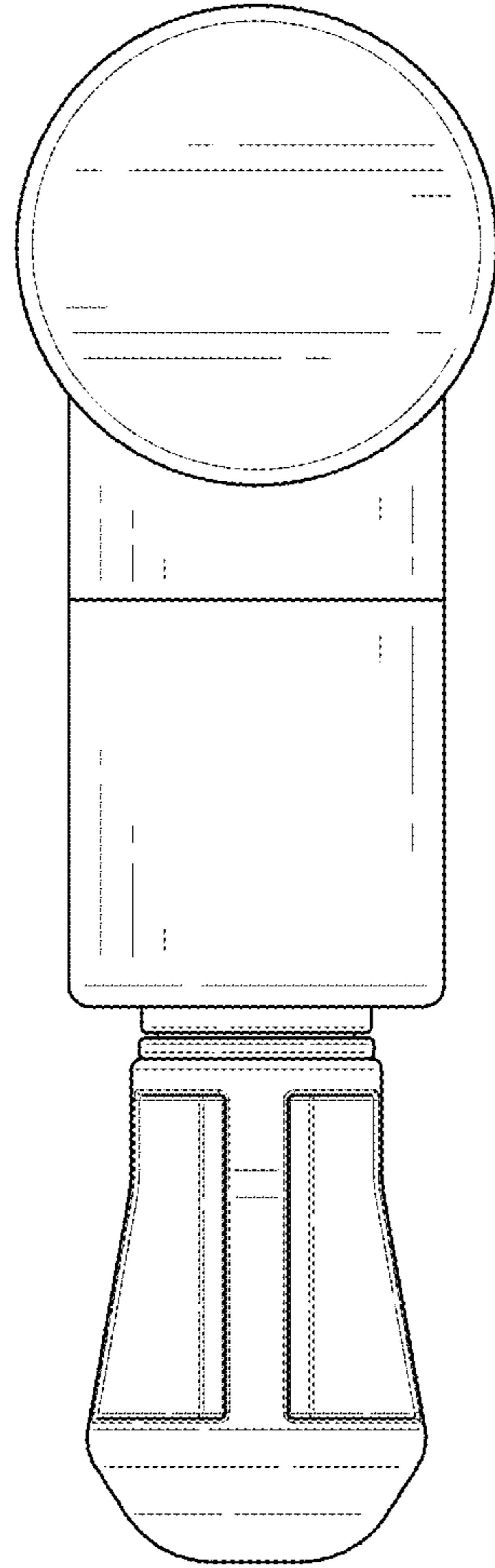


FIG. 7

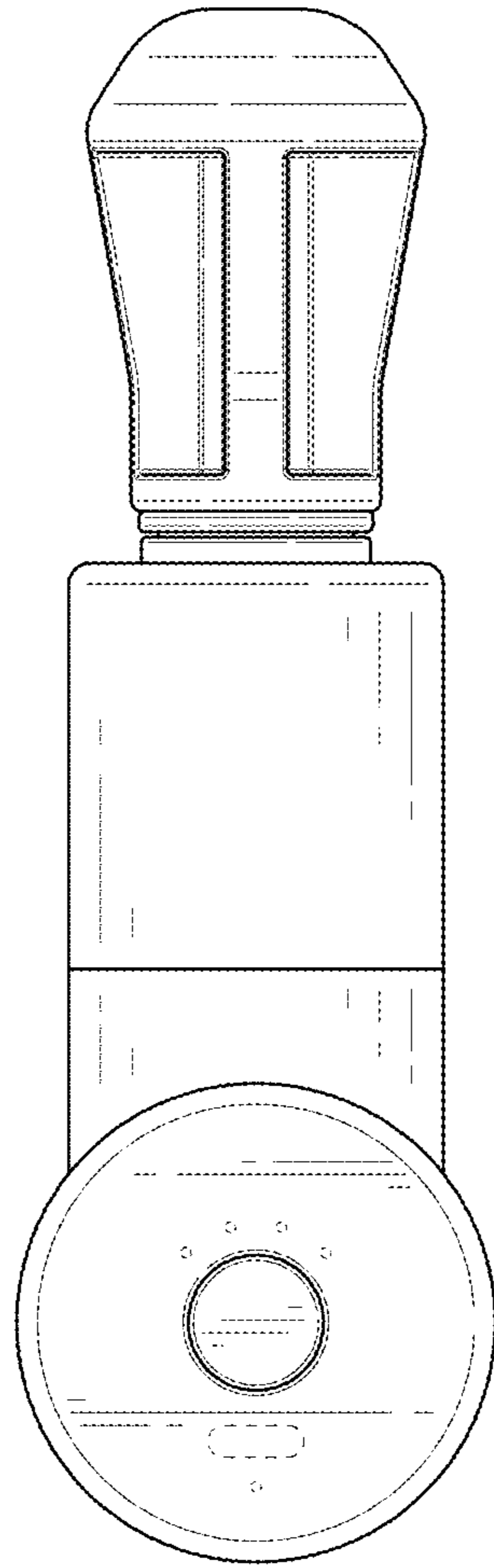


FIG. 8