



US00D900327S

(12) **United States Design Patent**  
**Cleveland**

(10) **Patent No.:** **US D900,327 S**

(45) **Date of Patent:** **\*\* Oct. 27, 2020**

- (54) **PROTECTIVE COLLAR**
- (71) Applicant: **Susan Parry**, Leigh Creek, Victoria OT (AU)
- (72) Inventor: **Paul Robert Henry Cleveland**, Miners Rest (AU)
- (73) Assignee: **Susan Parry**, Leigh Creek, Victoria (AU)

D393,718 S *	4/1998	Traut	.....	D24/191
D422,710 S *	4/2000	Maynard	.....	D24/190
6,254,560 B1 *	7/2001	Tweardy	.....	A61F 5/055
				128/DIG. 23
6,494,854 B1 *	12/2002	Visness	.....	A61F 5/055
				128/DIG. 23
D542,919 S *	5/2007	Leatt	.....	D24/191
D643,978 S *	8/2011	Abajo Alonso	.....	D29/101.2
D659,842 S *	5/2012	Donaldson	.....	D24/191
D790,072 S *	6/2017	Hiebert	.....	D24/191
2005/0101896 A1 *	5/2005	Calabrese	.....	A61F 5/055
				602/18

(\*\*) Term: **15 Years**

\* cited by examiner

(21) Appl. No.: **29/667,174**

*Primary Examiner* — Jennifer L Watkins

(22) Filed: **Oct. 18, 2018**

(74) *Attorney, Agent, or Firm* — Ladas & Parry, LLP

(51) **LOC (12) Cl.** ..... **24-01**

(57) **CLAIM**

(52) **U.S. Cl.**  
USPC ..... **D24/191; D29/101.2**

I claim the ornamental design for a protective collar, as shown and described.

(58) **Field of Classification Search**  
USPC ..... D24/190, 191, 200, 206; D29/100, D29/101.2, 101.3

**DESCRIPTION**

CPC ..... A61F 5/055  
See application file for complete search history.

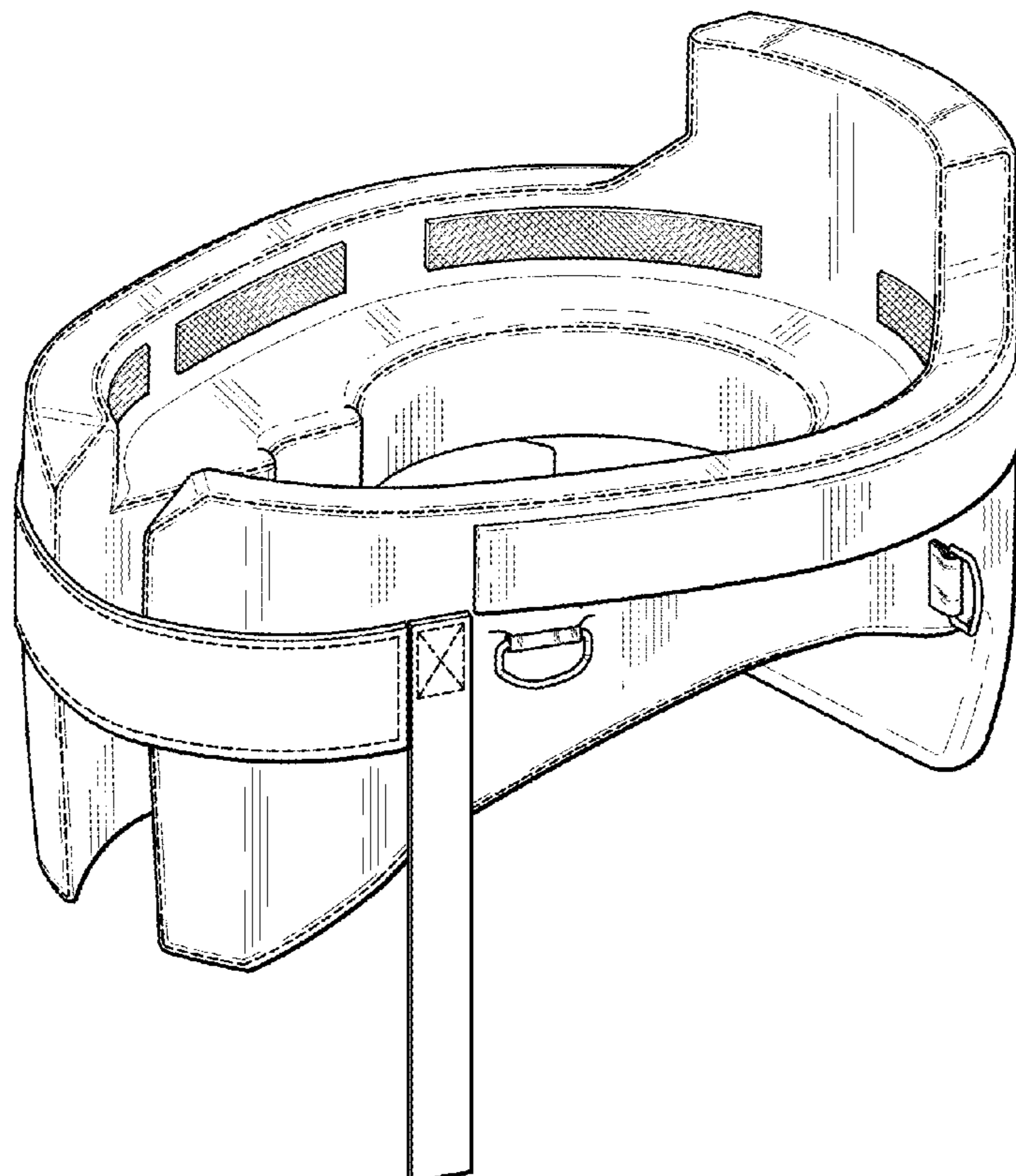
FIG. 1 is a front perspective view of a protective collar in accordance with the design;  
FIG. 2 is a top view of the design thereof;  
FIG. 3 is an underside side view of the design thereof;  
FIG. 4 is a front view of the design thereof;  
FIG. 5 is a rear view of the design thereof;  
FIG. 6 is a left side view of the design thereof; and,  
FIG. 7 is a right side view of the design thereof.  
The broken lines depict claimed stitching.

(56) **References Cited**

**U.S. PATENT DOCUMENTS**

D248,872 S *	8/1978	Thomas	.....	128/DIG. 23
D278,747 S *	5/1985	Peach, Jr.	.....	D24/191
4,827,915 A *	5/1989	Gorsen	.....	A61F 5/055
				128/DIG. 23

**1 Claim, 7 Drawing Sheets**



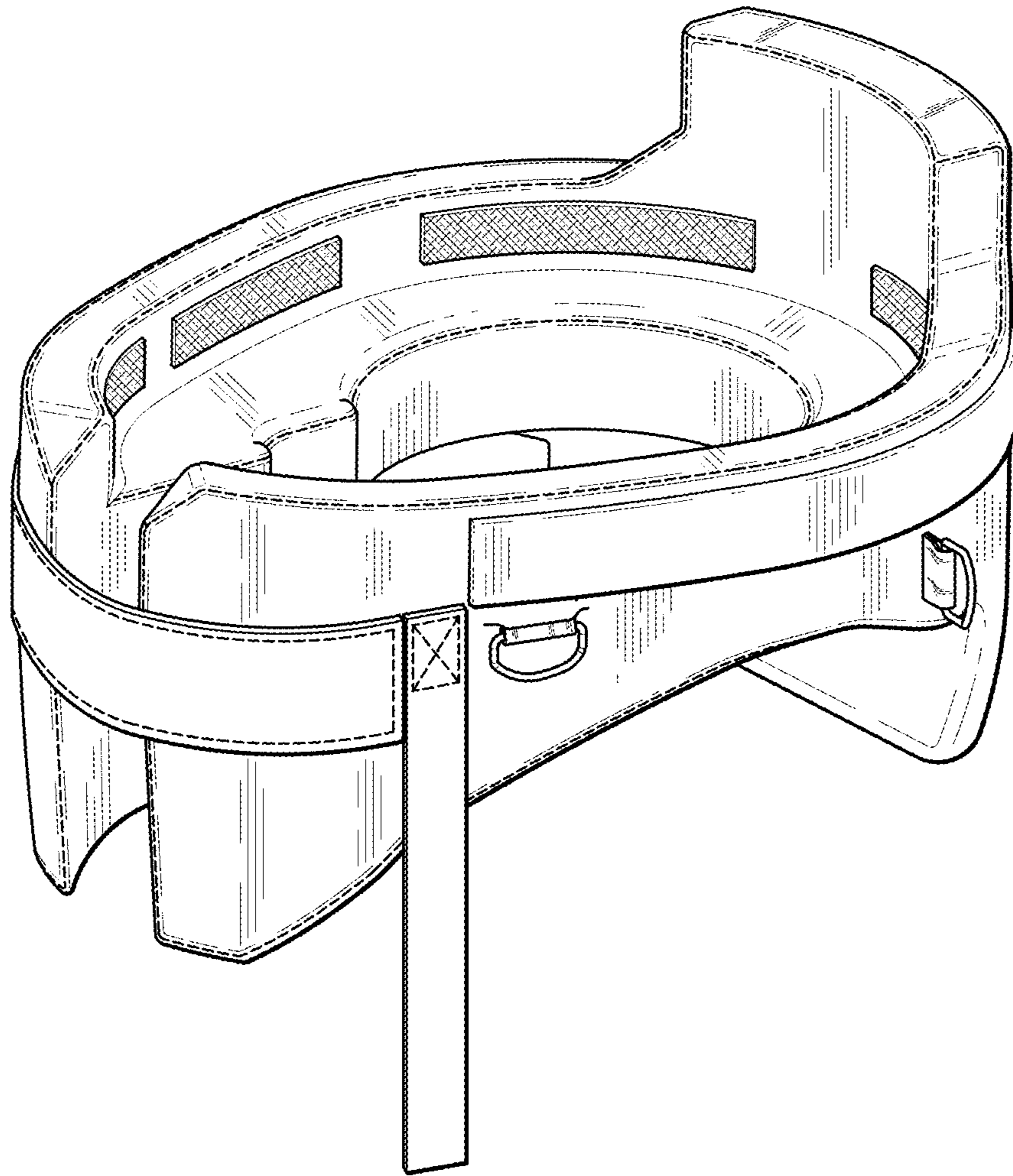


FIG. 1

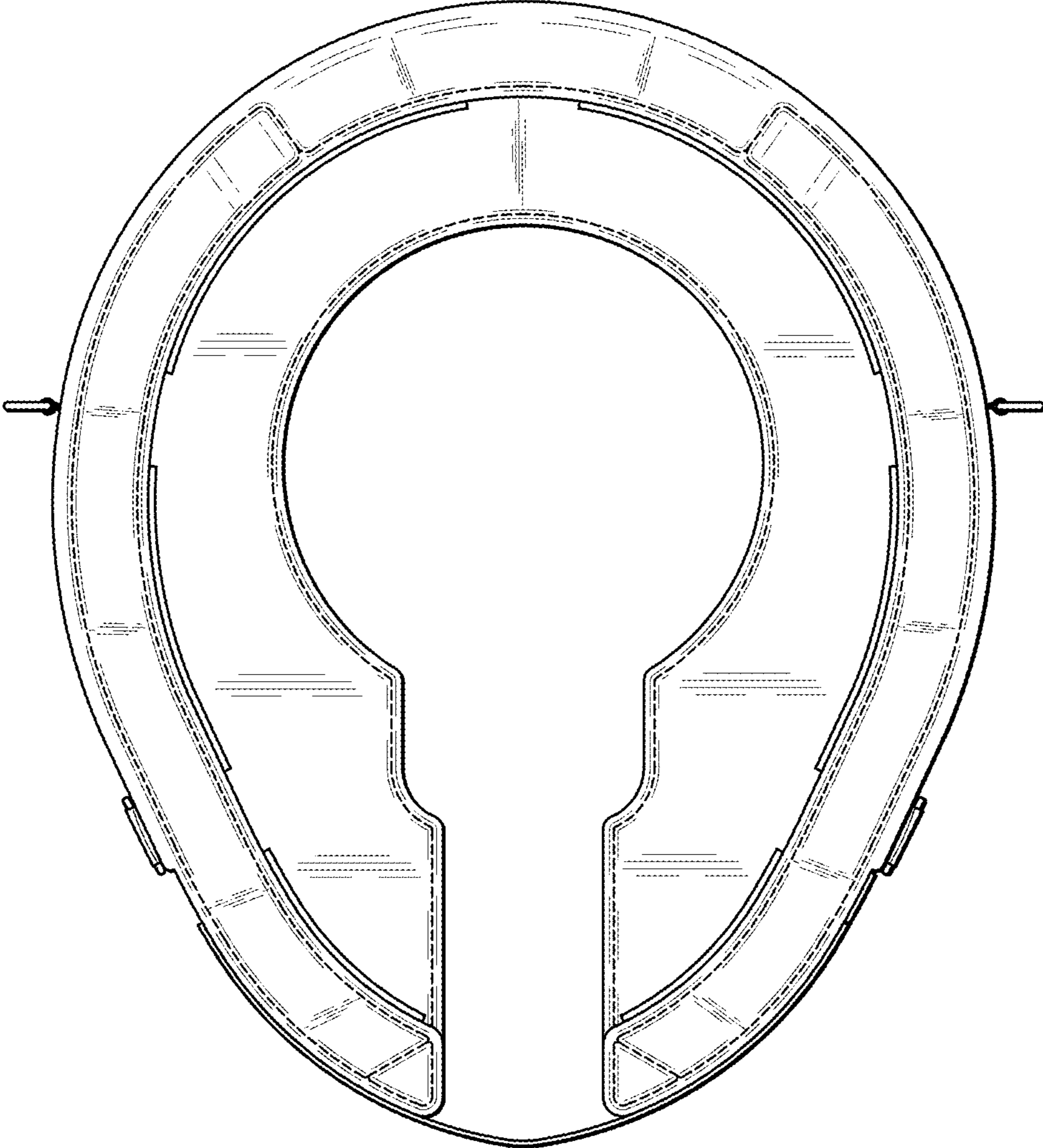


FIG. 2

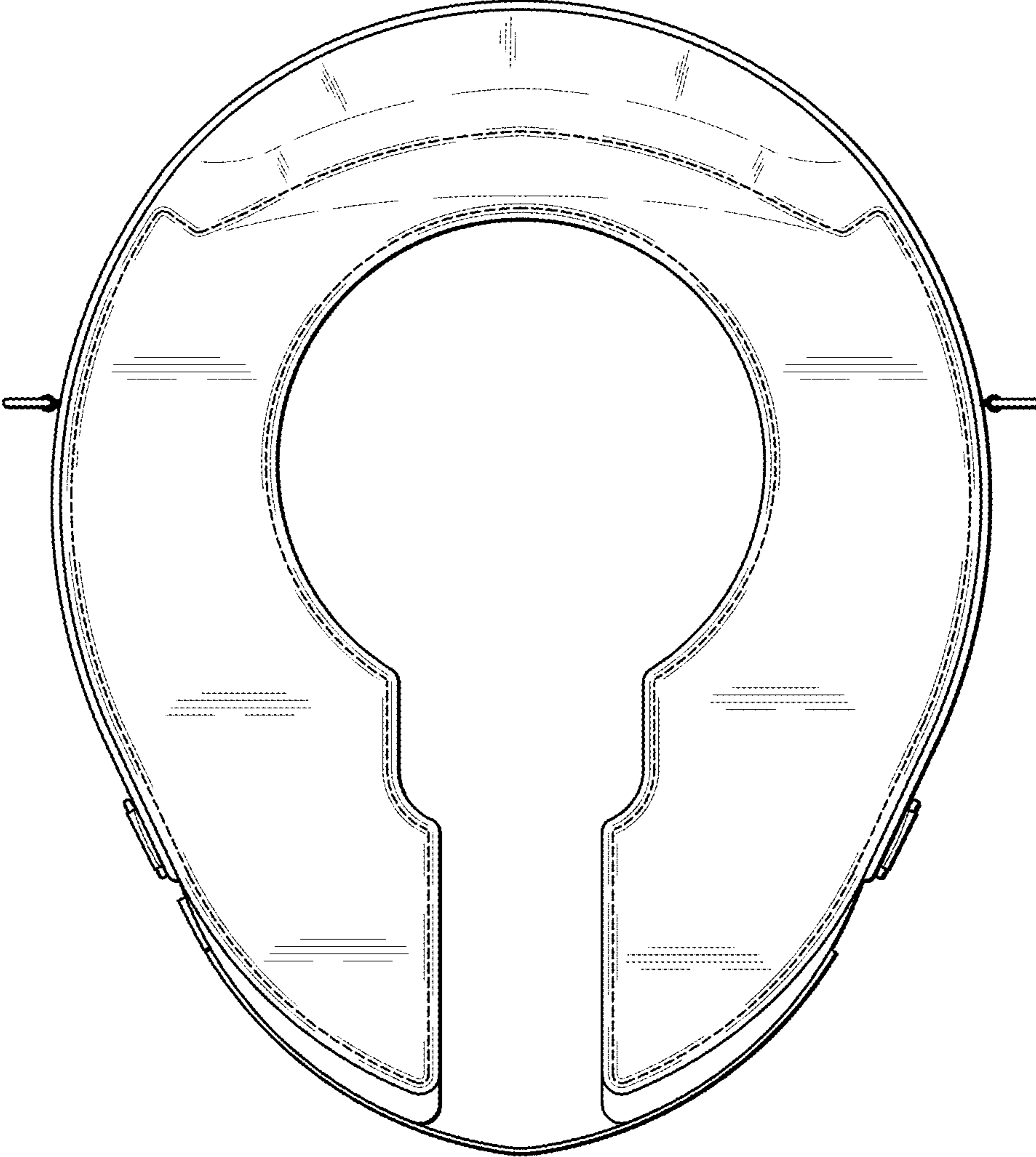


FIG. 3

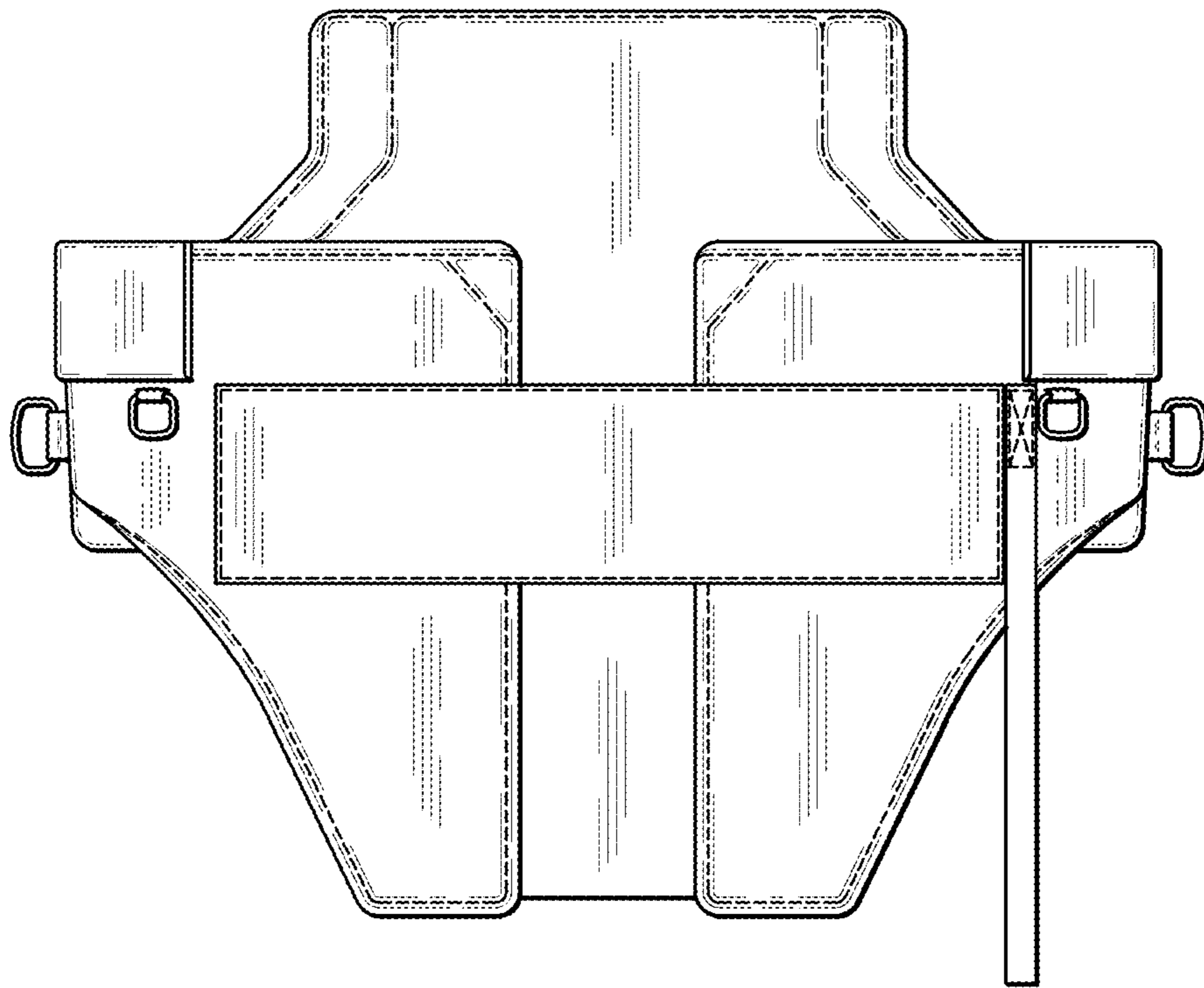


FIG. 4

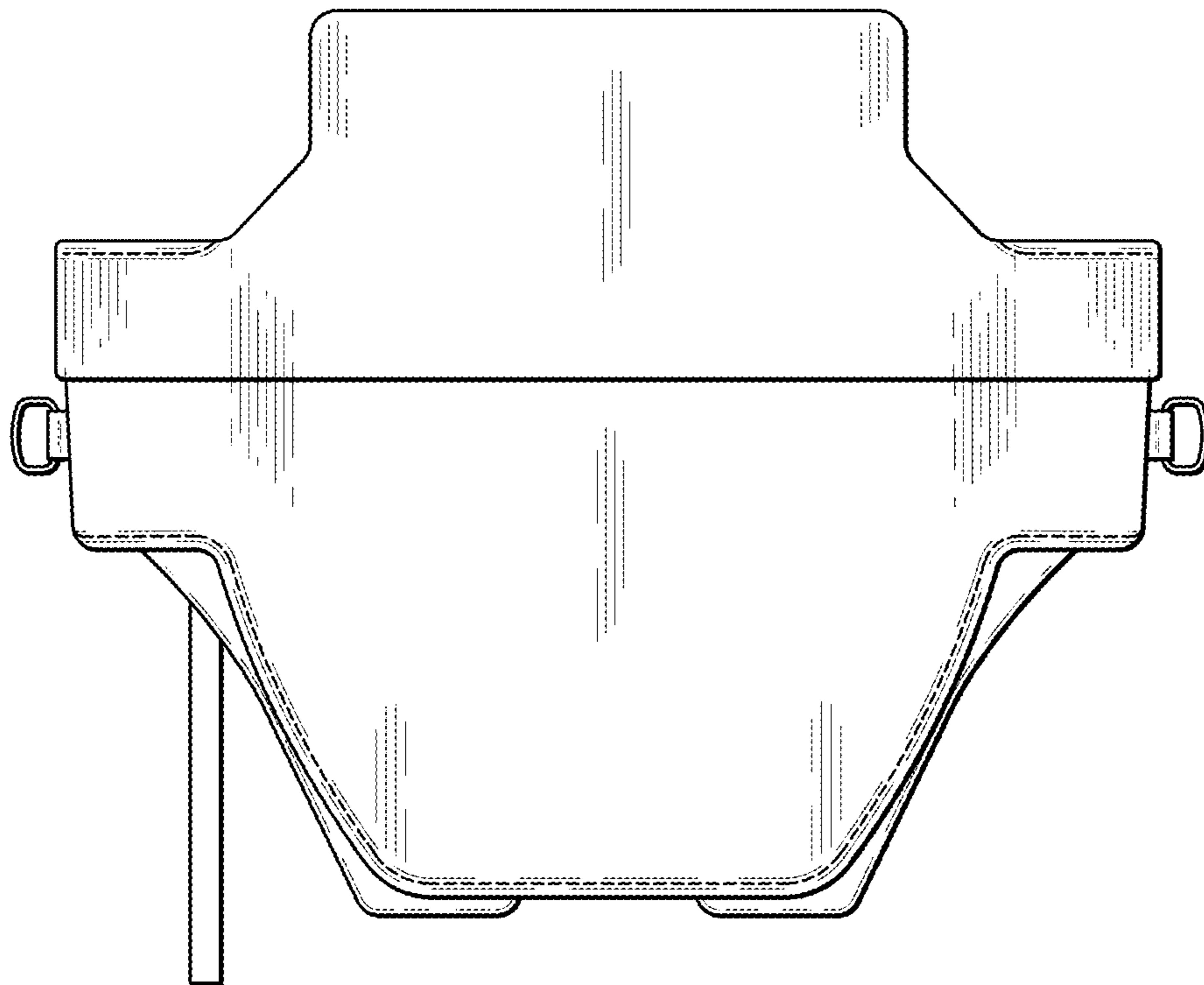


FIG. 5

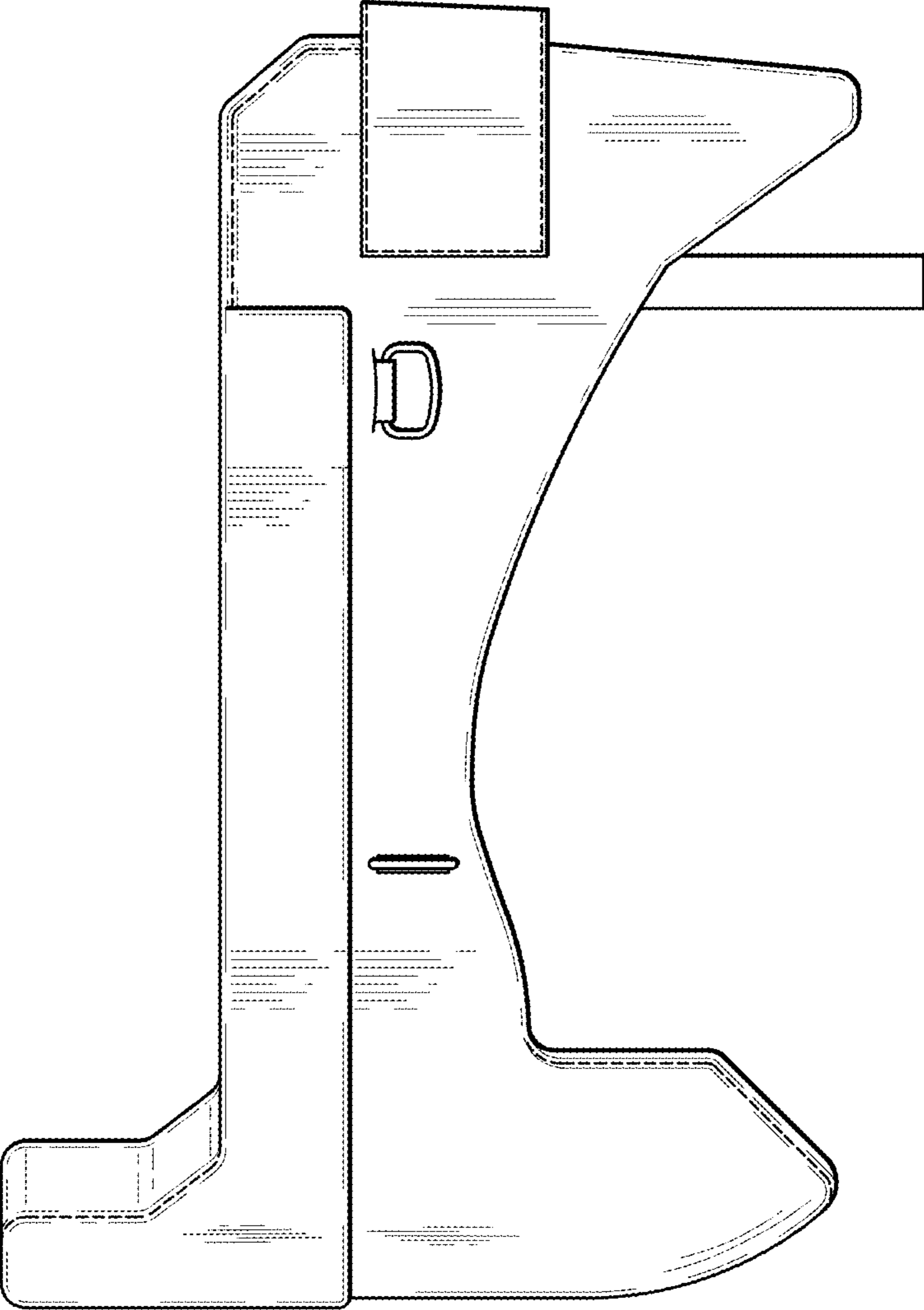


FIG. 6

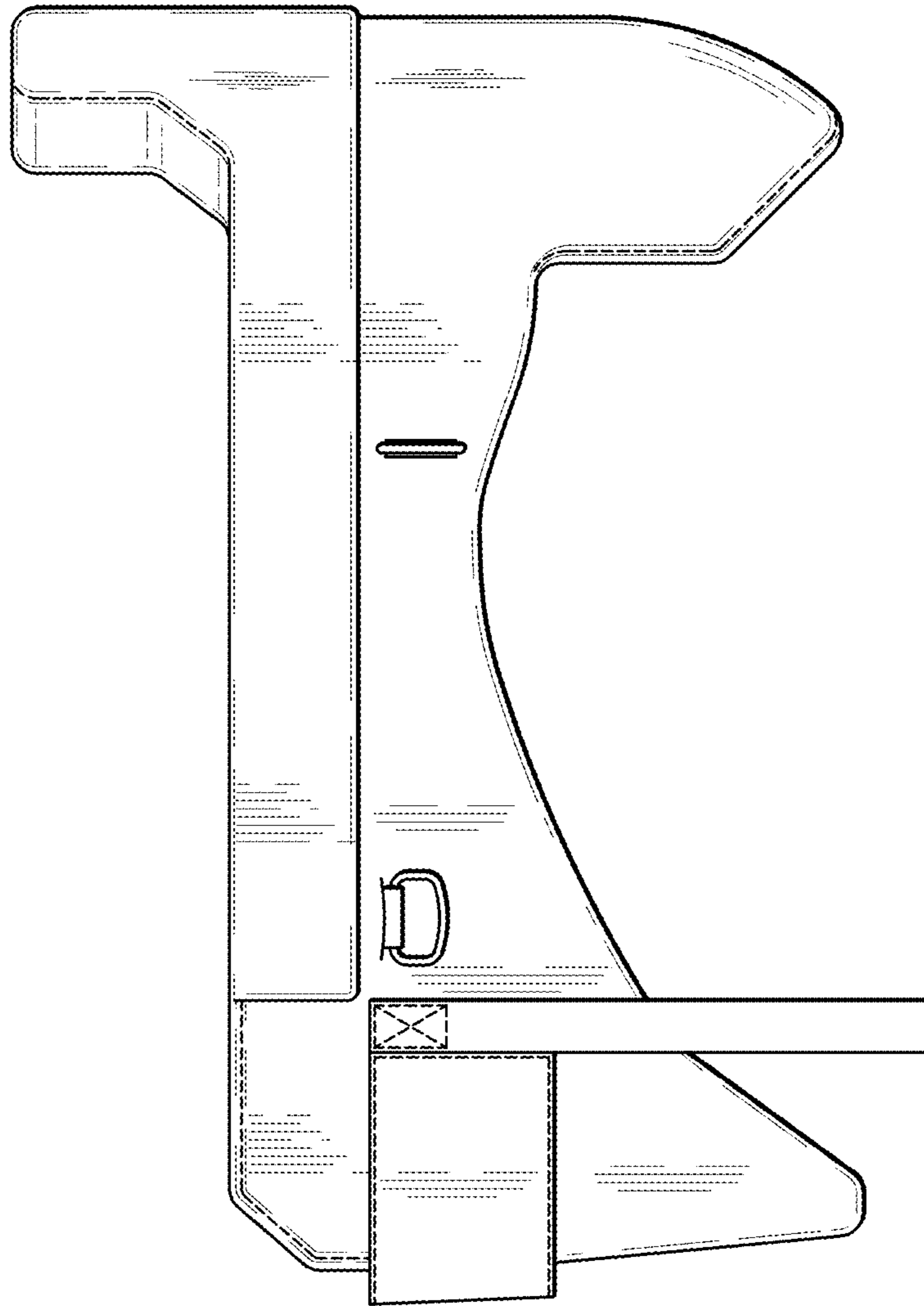


FIG. 7